



US00D700034S

(12) **United States Design Patent**  
**Kessler et al.**

(10) **Patent No.:** **US D700,034 S**  
(45) **Date of Patent:** **\*\* Feb. 25, 2014**

(54) **HANDLE**

(71) Applicant: **Lauren Nicole Accents LLC**,  
Riverwoods, IL (US)

(72) Inventors: **Lauren Kessler**, Riverwoods, IL (US);  
**Carly Kessler**, Riverwoods, IL (US)

(73) Assignee: **Lauren Nicole Accents LLC**,  
Riverwoods, IL (US)

(\*\*) Term: **14 Years**

(21) Appl. No.: **29/443,223**

(22) Filed: **Jan. 15, 2013**

(51) **LOC (10) Cl.** ..... **08-06**

(52) **U.S. Cl.**  
USPC ..... **D8/300**

(58) **Field of Classification Search**  
USPC ..... D8/300, 303, 107, 311, 80, 83, 94, 97;  
D3/328; D9/434; D29/114;  
128/880.893; D21/665, 682, 775;  
463/47.2; D12/112; 16/110.1, 114.1,  
16/421, 413, 430  
See application file for complete search history.

(56) **References Cited**

**U.S. PATENT DOCUMENTS**

D16,786	S	*	7/1886	Currier	.....	D8/107
829,353	A	*	8/1906	Rand	.....	452/17
2,444,558	A	*	7/1948	Elliott	.....	294/171
2,603,865	A	*	7/1952	Sneed	.....	30/232
2,778,555	A	*	1/1957	Poryle	.....	294/146
2,914,785	A	*	12/1959	Ela	.....	15/143.1

3,227,455	A	*	1/1966	Hulsman	.....	473/206
D223,700	S	*	5/1972	Kamins	.....	D8/301
4,493,494	A	*	1/1985	Feagin, Jr.	.....	280/821
4,846,519	A	*	7/1989	Leonard	.....	294/171
D318,213	S	*	7/1991	Cloonan et al.	.....	D34/28
5,060,998	A	*	10/1991	Phillips	.....	294/146
D324,455	S	*	3/1992	Fasitta et al.	.....	D4/104
D325,508	S	*	4/1992	Castricone et al.	.....	D8/300
D368,636	S	*	4/1996	Planka et al.	.....	D8/300
D396,776	S	*	8/1998	Hughes	.....	D7/507
6,286,173	B1	*	9/2001	Briones	.....	15/167.1
D486,053	S	*	2/2004	Jimenez	.....	D8/97
D573,866	S	*	7/2008	Smith	.....	D8/107

\* cited by examiner

*Primary Examiner* — Paula Greene

(74) *Attorney, Agent, or Firm* — MacDonald Hopkins LLC

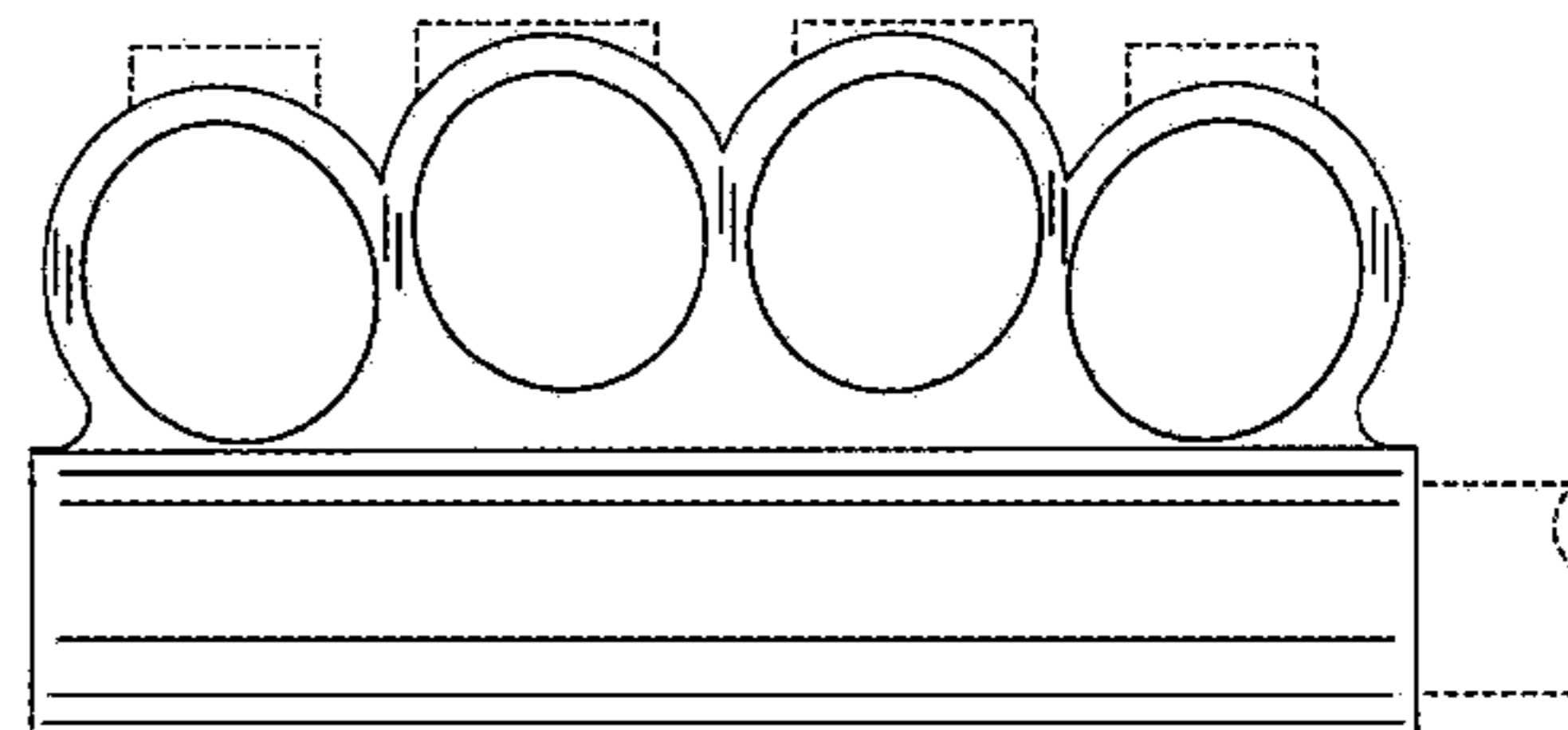
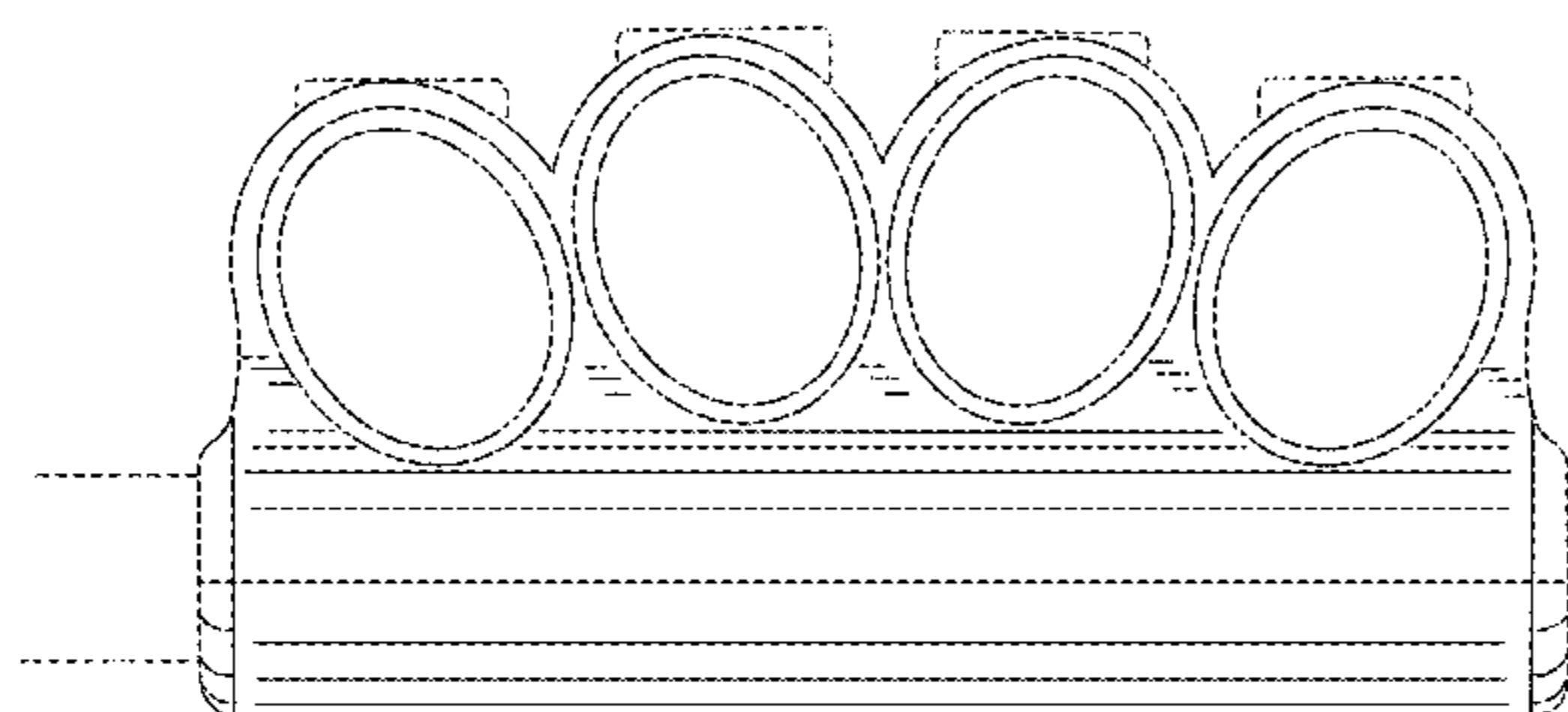
(57) **CLAIM**

The ornamental design for a handle, as shown and described.

**DESCRIPTION**

FIG. 1 is a perspective view of a first embodiment of a handle;  
FIG. 2 is a side view thereof;  
FIG. 3 is a bottom view thereof;  
FIG. 4 is a top view thereof;  
FIG. 5 is an end view thereof;  
FIG. 6 is a perspective view of a second embodiment of a  
handle;  
FIG. 7 is a side view thereof;  
FIG. 8 is a bottom view thereof;  
FIG. 9 is a top view thereof; and,  
FIG. 10 is an end view thereof.  
The broken lines are for illustrative purposes only and form  
no part of the claimed design.

**1 Claim, 2 Drawing Sheets**



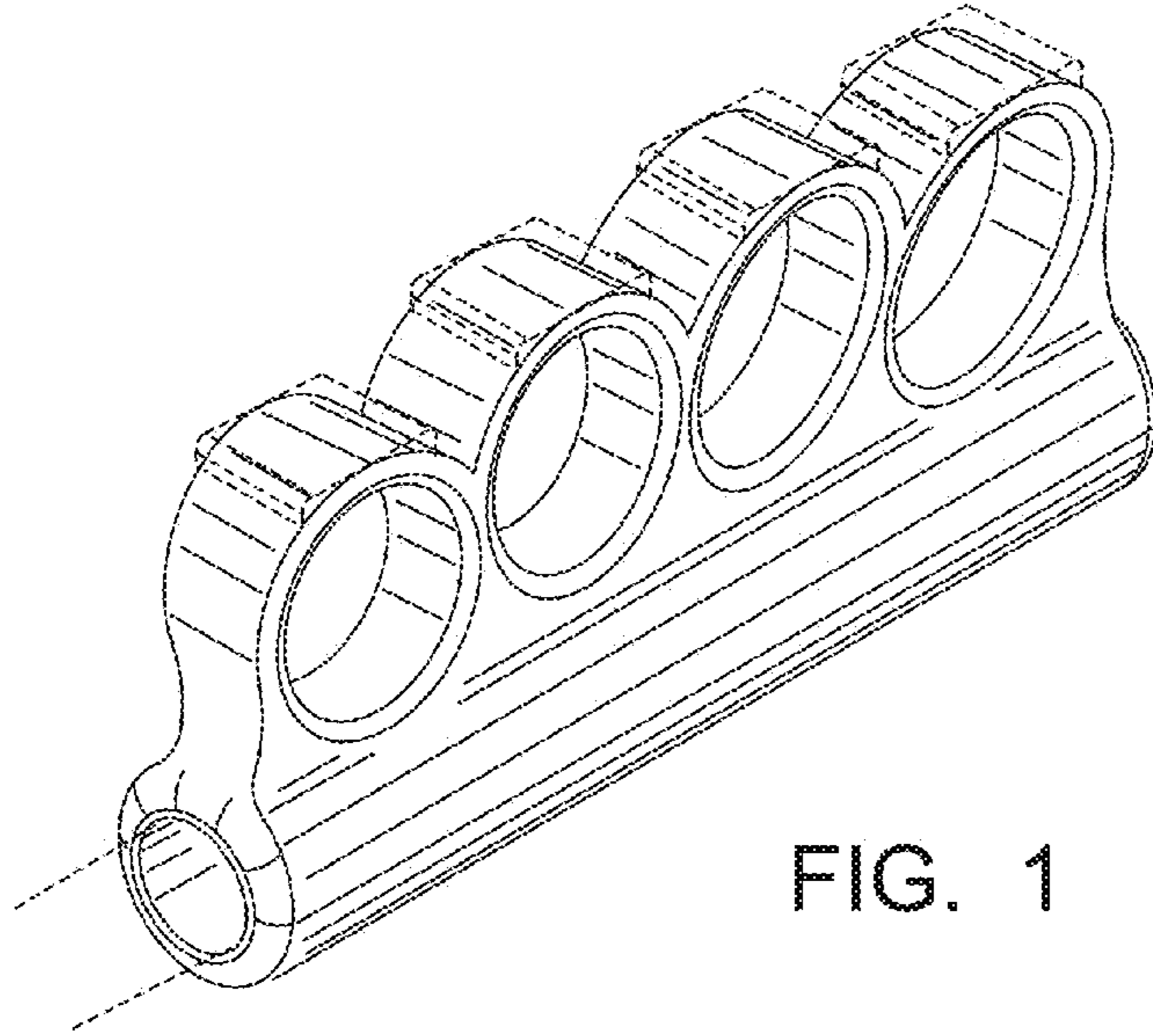


FIG. 1

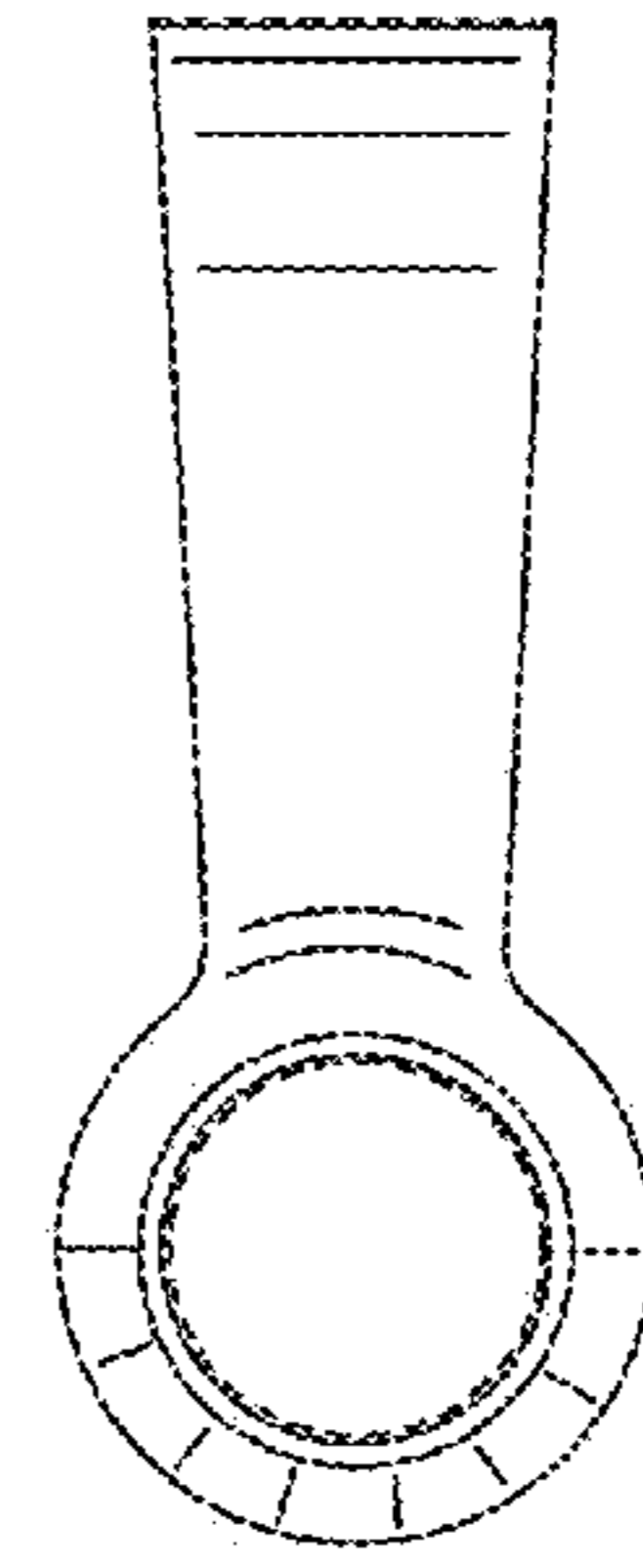


FIG. 5

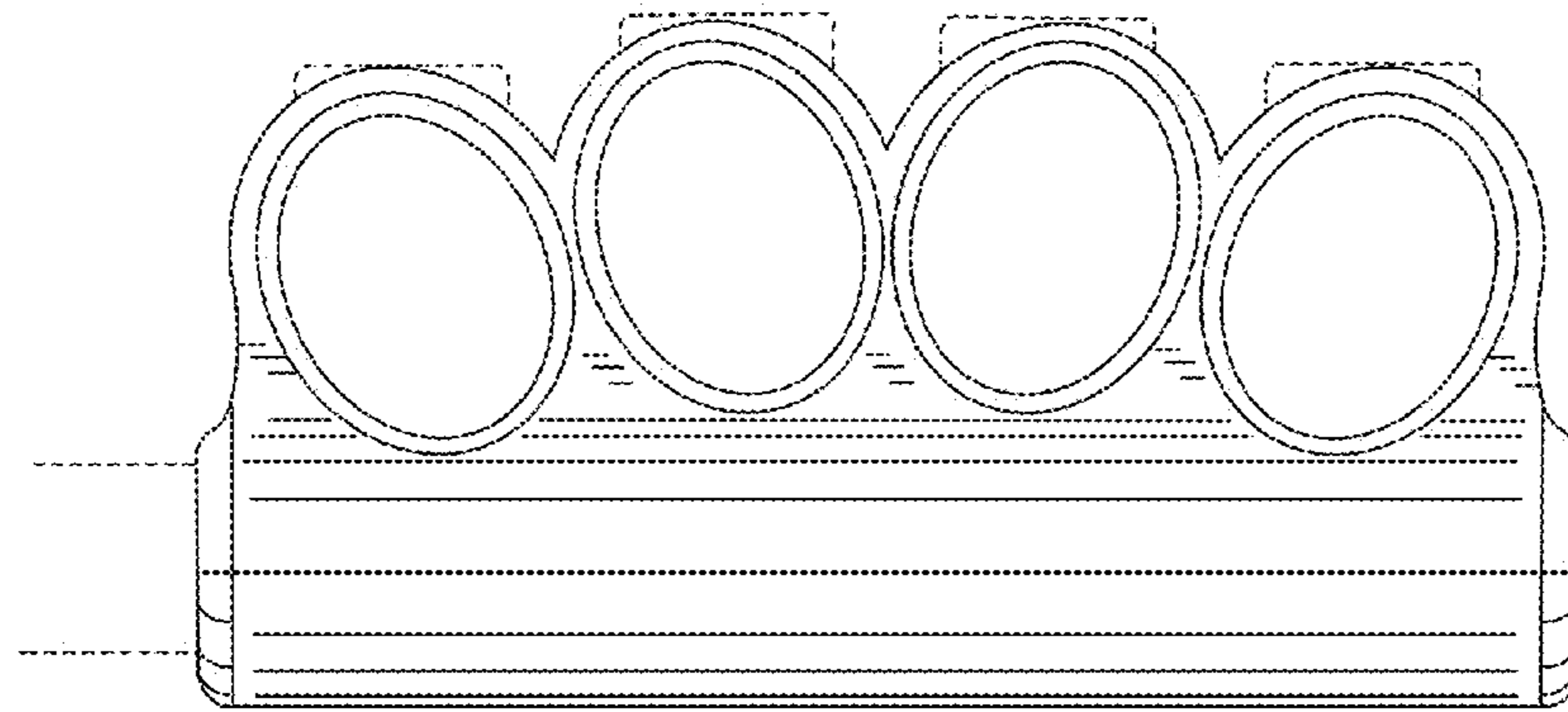


FIG. 2

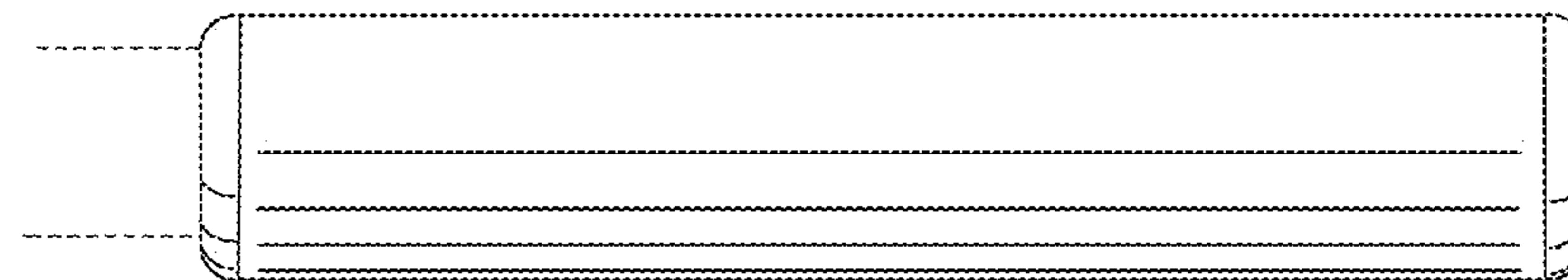


FIG. 3

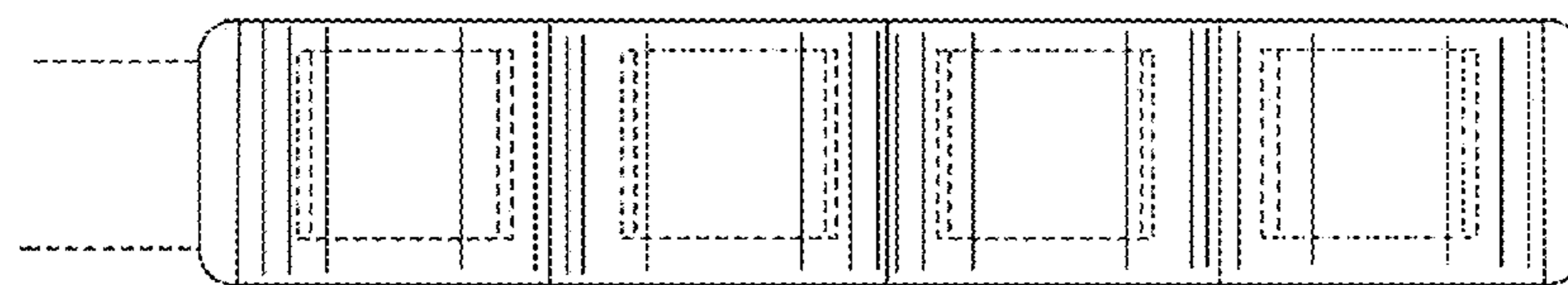


FIG. 4

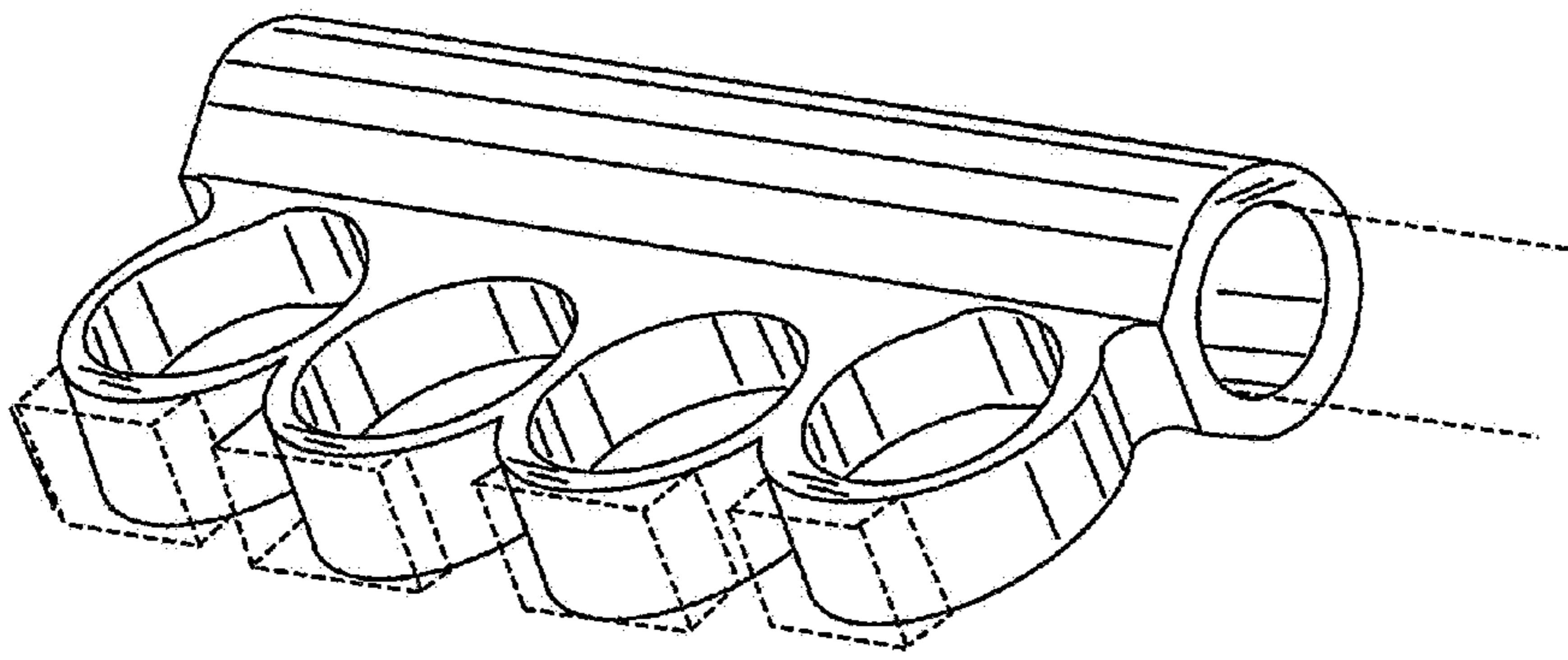


FIG. 6

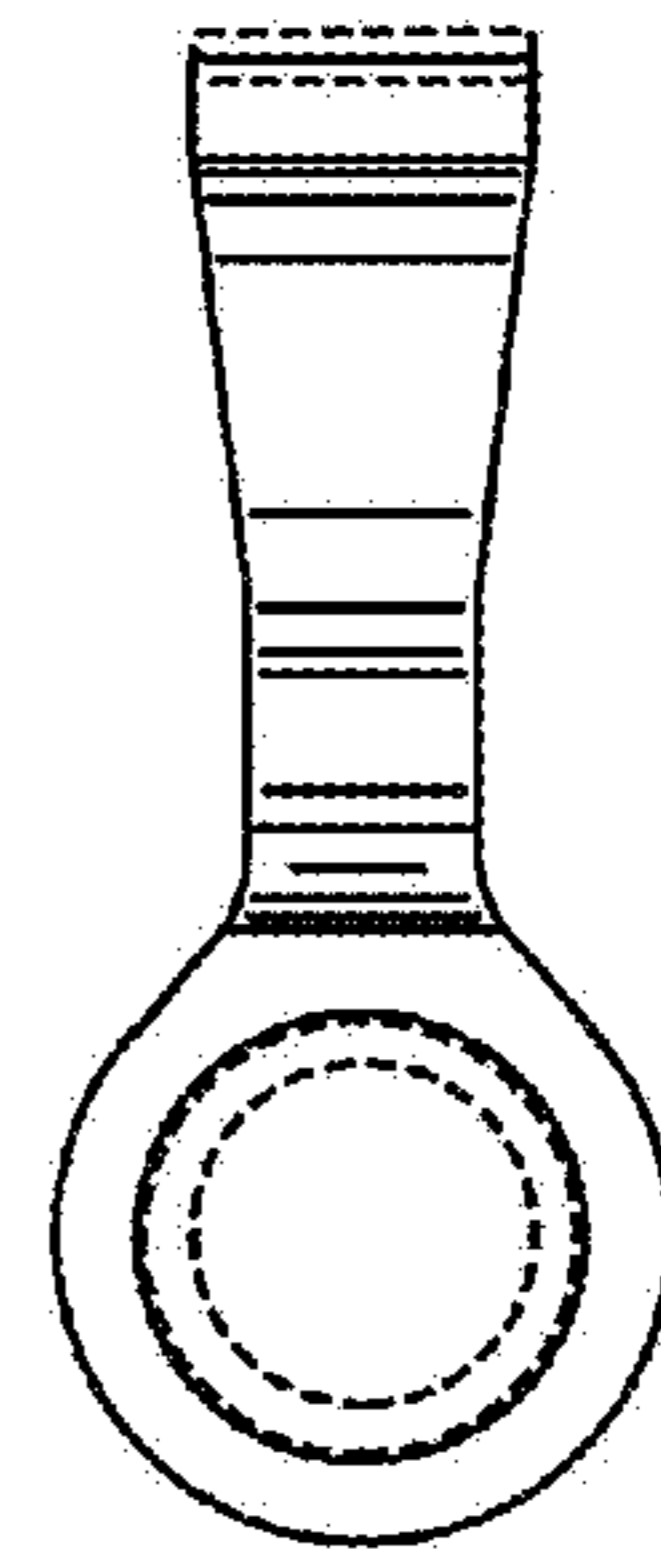


FIG. 10

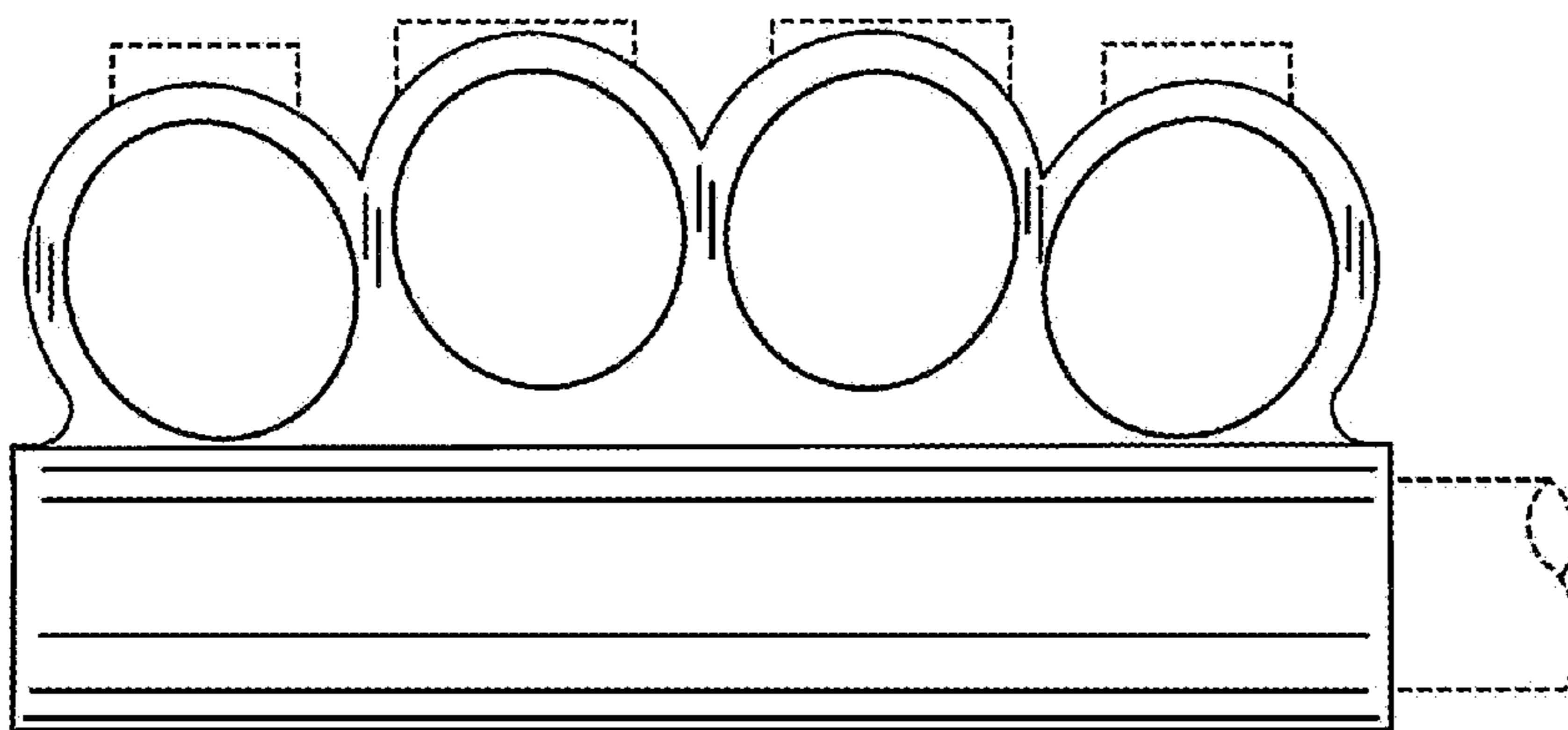


FIG. 7

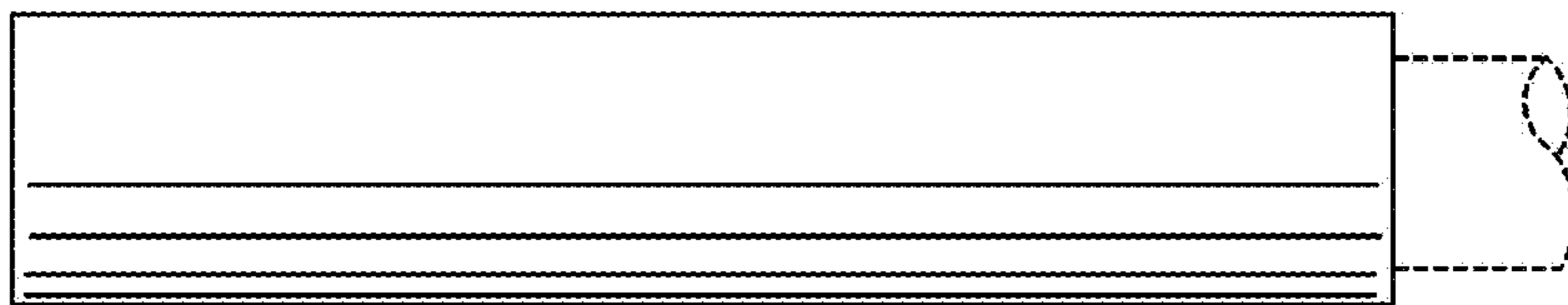


FIG. 8

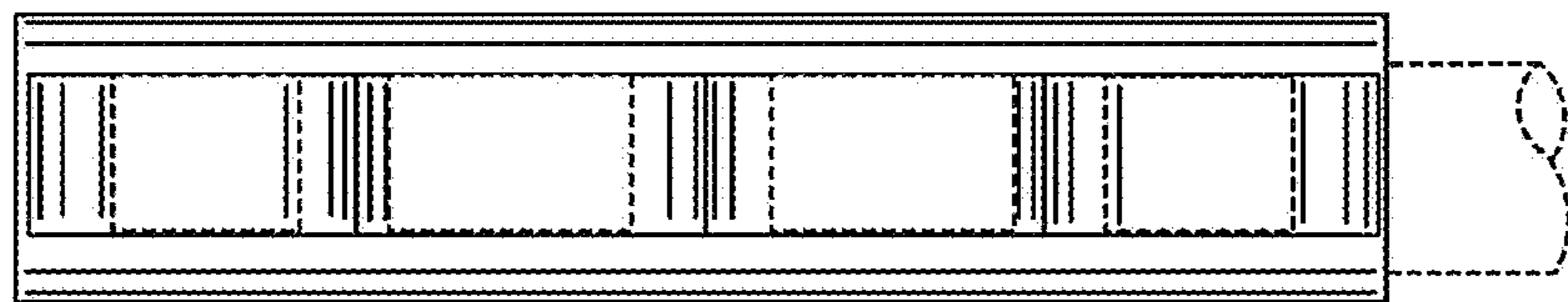


FIG. 9