



US00D700033S

(12) **United States Design Patent**
Lin

(10) **Patent No.:** **US D700,033 S**

(45) **Date of Patent:** **** Feb. 25, 2014**

(54) **HANDLE OF TOOL**

(71) Applicant: **Jack Lin**, Taichung (TW)

(72) Inventor: **Jack Lin**, Taichung (TW)

(73) Assignee: **Yih Cheng Factory Co., Ltd.**, Taichung (TW)

(**) Term: **14 Years**

(21) Appl. No.: **29/444,441**

(22) Filed: **Jan. 30, 2013**

(51) **LOC (10) Cl.** **08-05**

(52) **U.S. Cl.**
USPC **D8/107**

(58) **Field of Classification Search**
USPC D8/107, 82, 83, 85, 87, 29; 81/177.1,
81/177.85, 177.4, 439, 475; 16/110.1,
16/421, 430, 431
See application file for complete search history.

(56) **References Cited**

U.S. PATENT DOCUMENTS

D51,641	S	*	1/1918	Hargrave	D8/82
2,720,296	A	*	10/1955	Briglia	192/43.1
2,725,086	A	*	11/1955	Keyes	81/15.9
3,340,914	A	*	9/1967	Ricks	81/177.1
D255,979	S	*	7/1980	Boursaw	D8/25
D260,599	S	*	9/1981	Wong	D8/82
D271,937	S	*	12/1983	Combs	D8/25
4,488,460	A	*	12/1984	Ballone et al.	81/60
D286,314	S	*	10/1986	Sawa	D22/118
D288,656	S	*	3/1987	Smith	D8/82
4,768,406	A	*	9/1988	Fitzwater	81/177.1
4,777,852	A	*	10/1988	Herman et al.	81/63.1
D339,279	S	*	9/1993	Baum	D8/83
D340,633	S	*	10/1993	Badiali	D8/85
D360,344	S	*	7/1995	Eggert et al.	D8/83

6,220,129	B1	*	4/2001	Shimansky	81/490
D467,154	S	*	12/2002	Song	D8/107
D493,081	S	*	7/2004	Chen	D8/29
D497,668	S	*	10/2004	Bogazzi	D24/133
D503,080	S	*	3/2005	Chen	D8/82
D517,634	S	*	3/2006	Nunez et al.	D21/789

(Continued)

Primary Examiner — Paula Greene

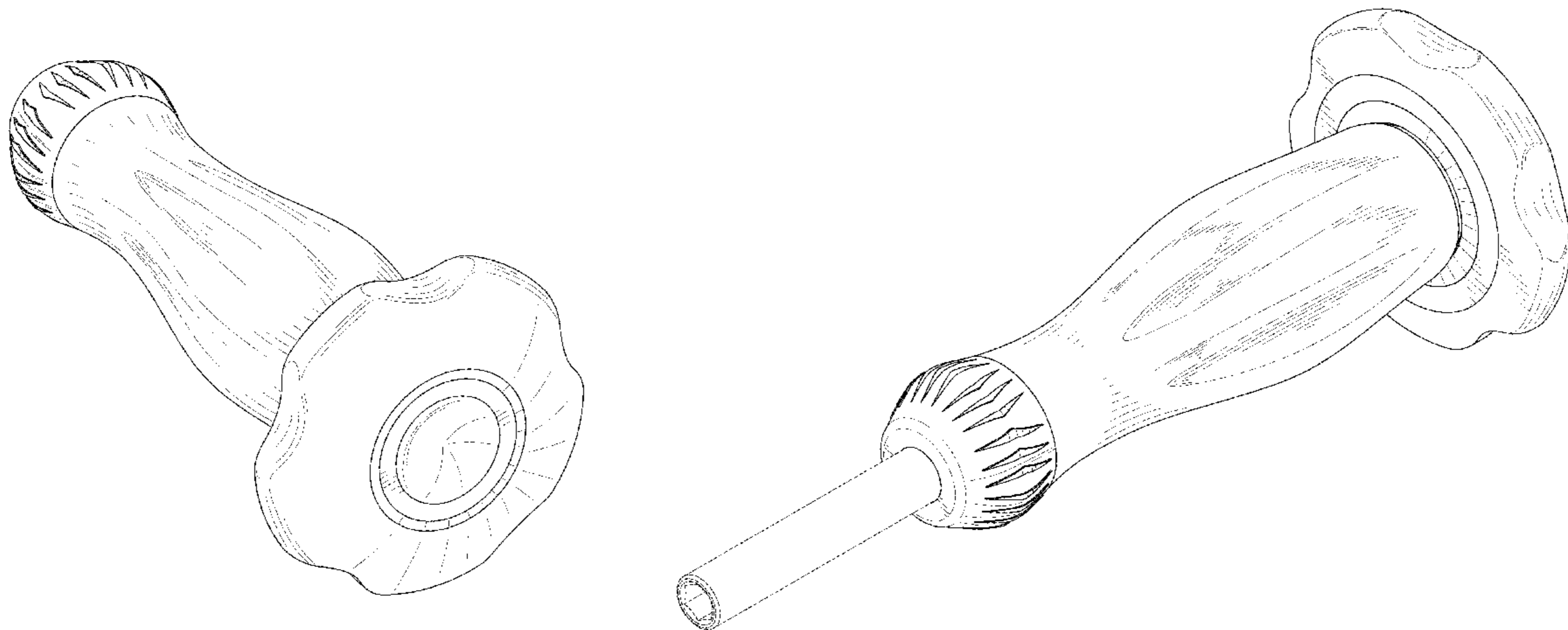
(57) **CLAIM**

I claim the ornamental design for a handle of tool, as shown and described.

DESCRIPTION

FIG. 1 is a perspective view of the handle, showing my design;
 FIG. 2 is another perspective view of the handle shown in FIG. 1;
 FIG. 3 is a front view of the handle shown in FIG. 1;
 FIG. 4 is a rear view of the handle shown in FIG. 1;
 FIG. 5 is a left side view of the handle shown in FIG. 1;
 FIG. 6 is a right side view of the handle shown in FIG. 1;
 FIG. 7 is a top view of the handle shown in FIG. 1;
 FIG. 8 is a bottom view of the handle shown in FIG. 1;
 FIG. 9 is a cross-sectional view of the handle taken along a line A-A shown in FIG. 5;
 FIG. 10 is a cross-sectional view of the handle taken along a line B-B shown in FIG. 5;
 FIG. 11 is a cross-sectional view of the handle taken along a line C-C shown in FIG. 5;
 FIG. 12 is a cross-sectional view of the handle taken along a line D-D shown in FIG. 5; and,
 FIG. 13 is a perspective view of a bit connected to the handle shown in FIG. 1.
 The broken lines shown in the drawings are for the purpose of illustrating unclaimed portions of the handle and form no part of the claimed design.

1 Claim, 10 Drawing Sheets



(56)

References Cited

U.S. PATENT DOCUMENTS

D536,234 S * 2/2007 Lin D8/107
D597,815 S * 8/2009 Saunders D8/83
D613,144 S * 4/2010 Lin D8/83
D644,901 S * 9/2011 Christopher D8/83

D649,010 S * 11/2011 Spragg D8/323
D652,137 S * 1/2012 Nino et al. D24/133
D686,480 S * 7/2013 Robinson et al. D8/83
D686,899 S * 7/2013 Lin D8/83
D693,201 S * 11/2013 Sramek et al. D8/83

* cited by examiner



FIG. 1

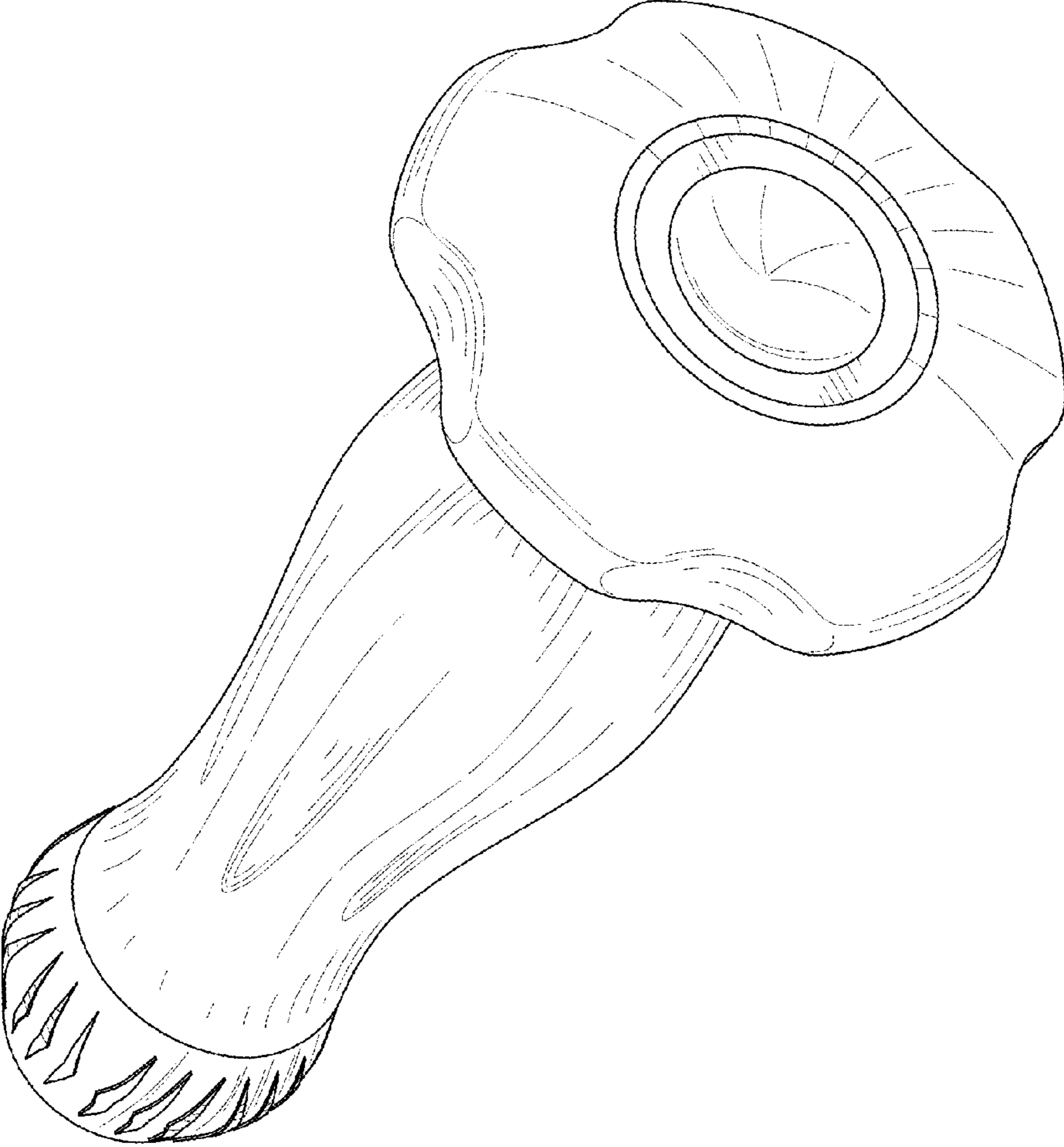


FIG. 2

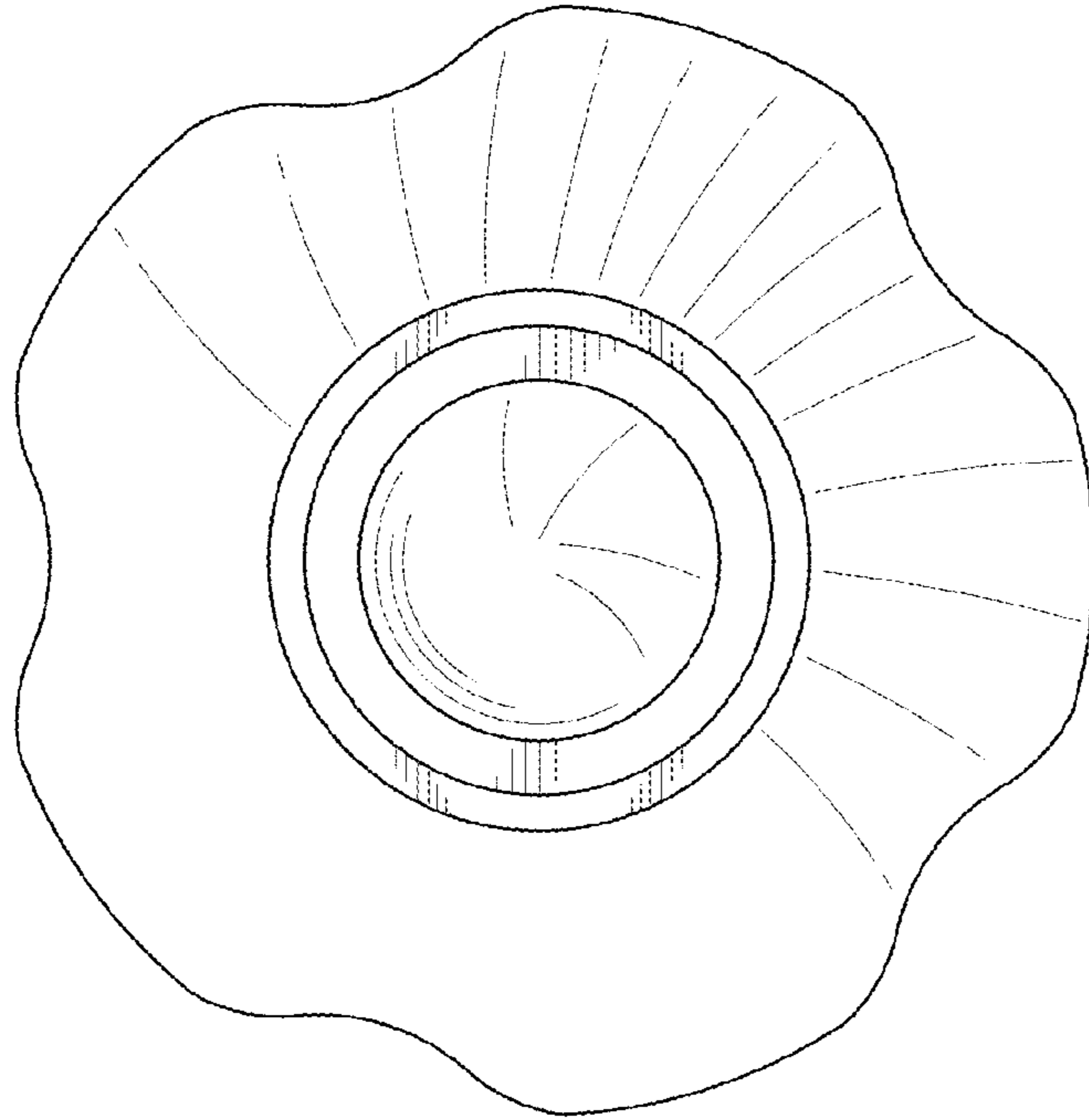


FIG. 4

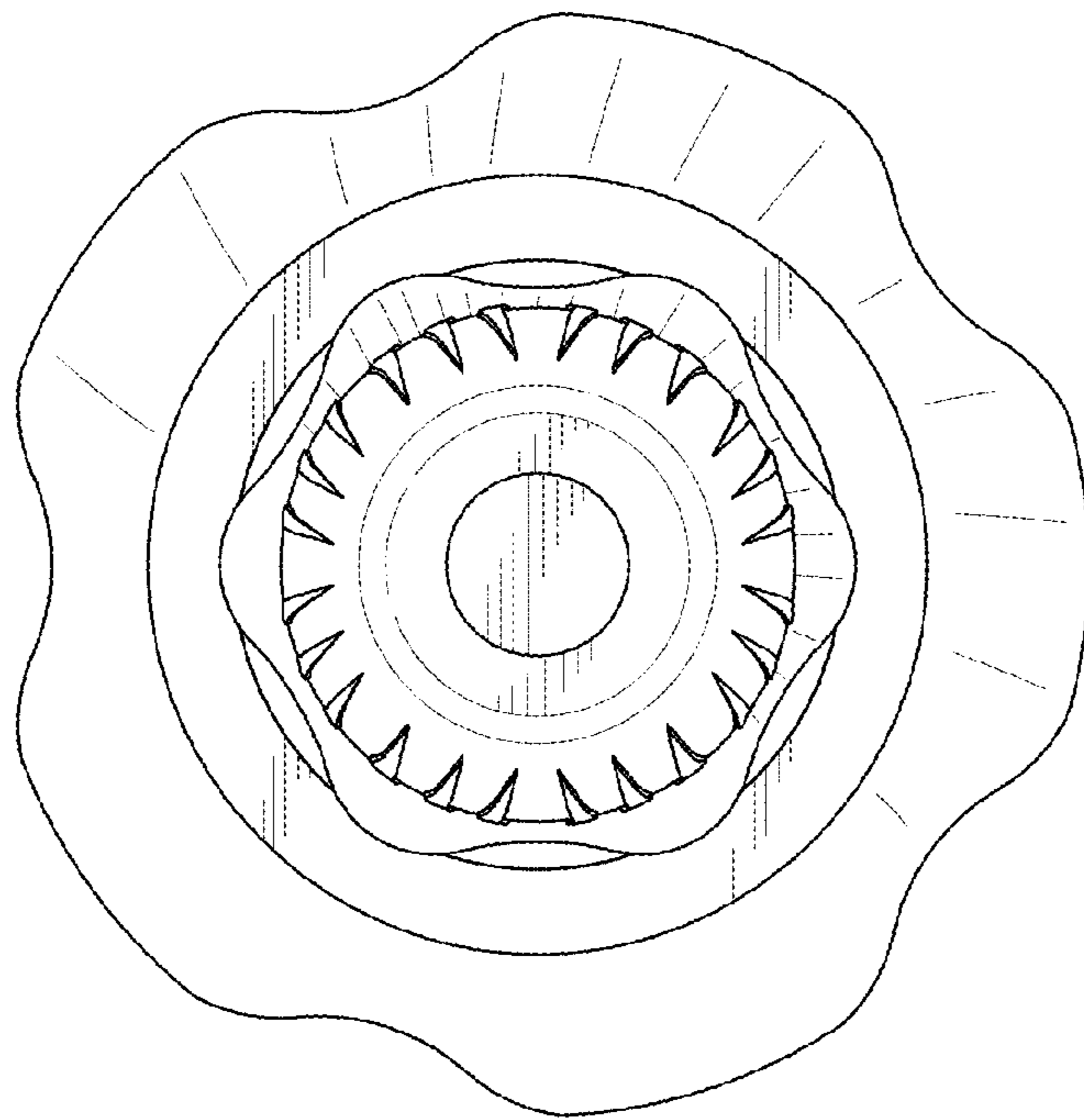


FIG. 3

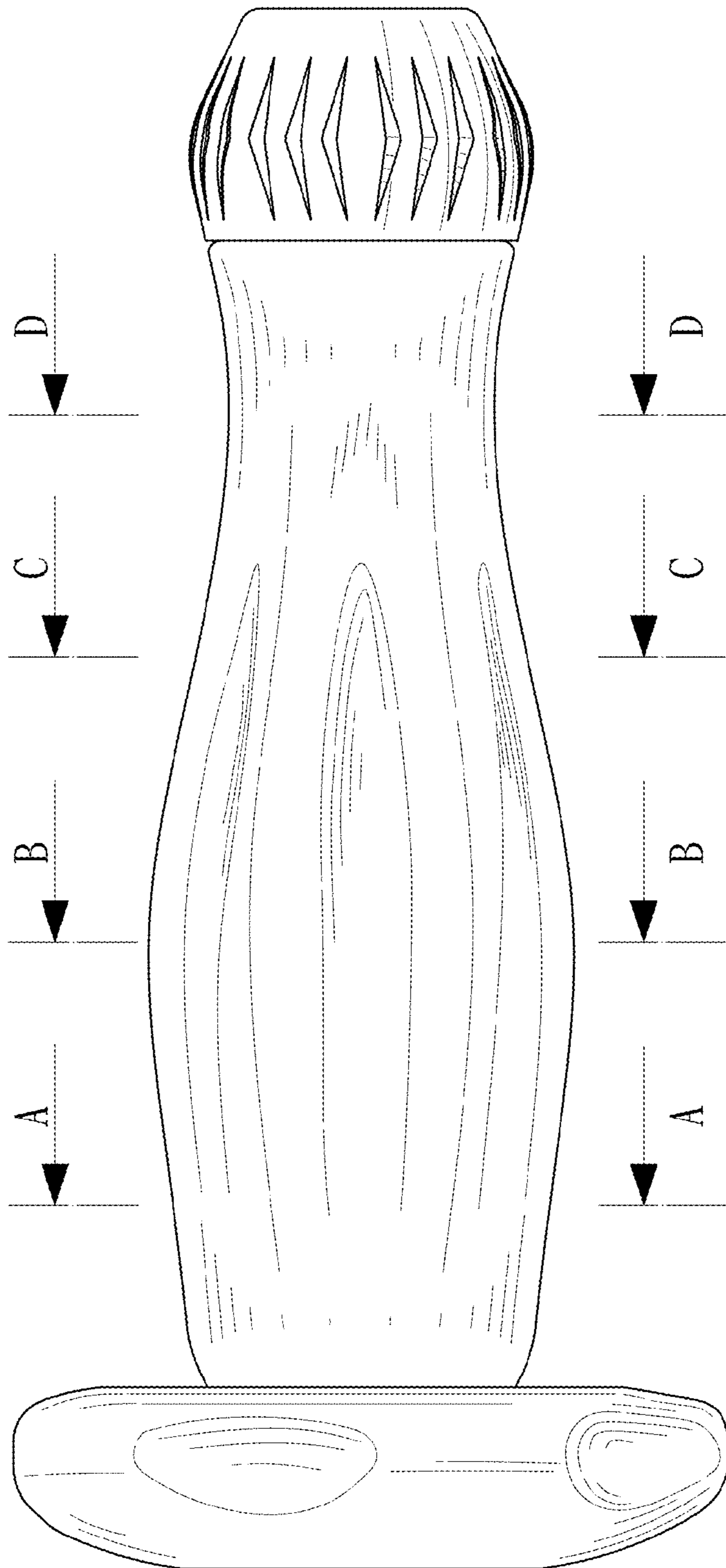


FIG. 5

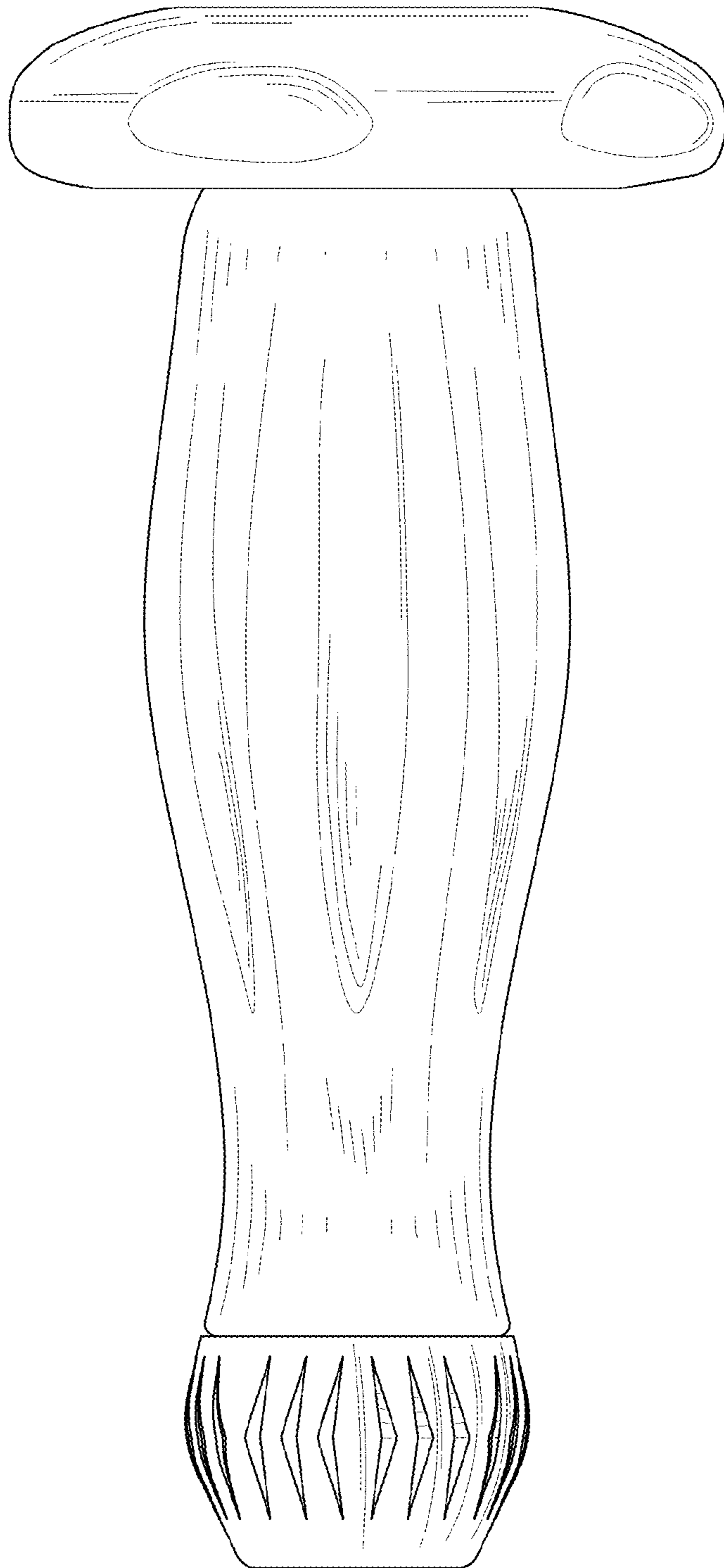


FIG. 6

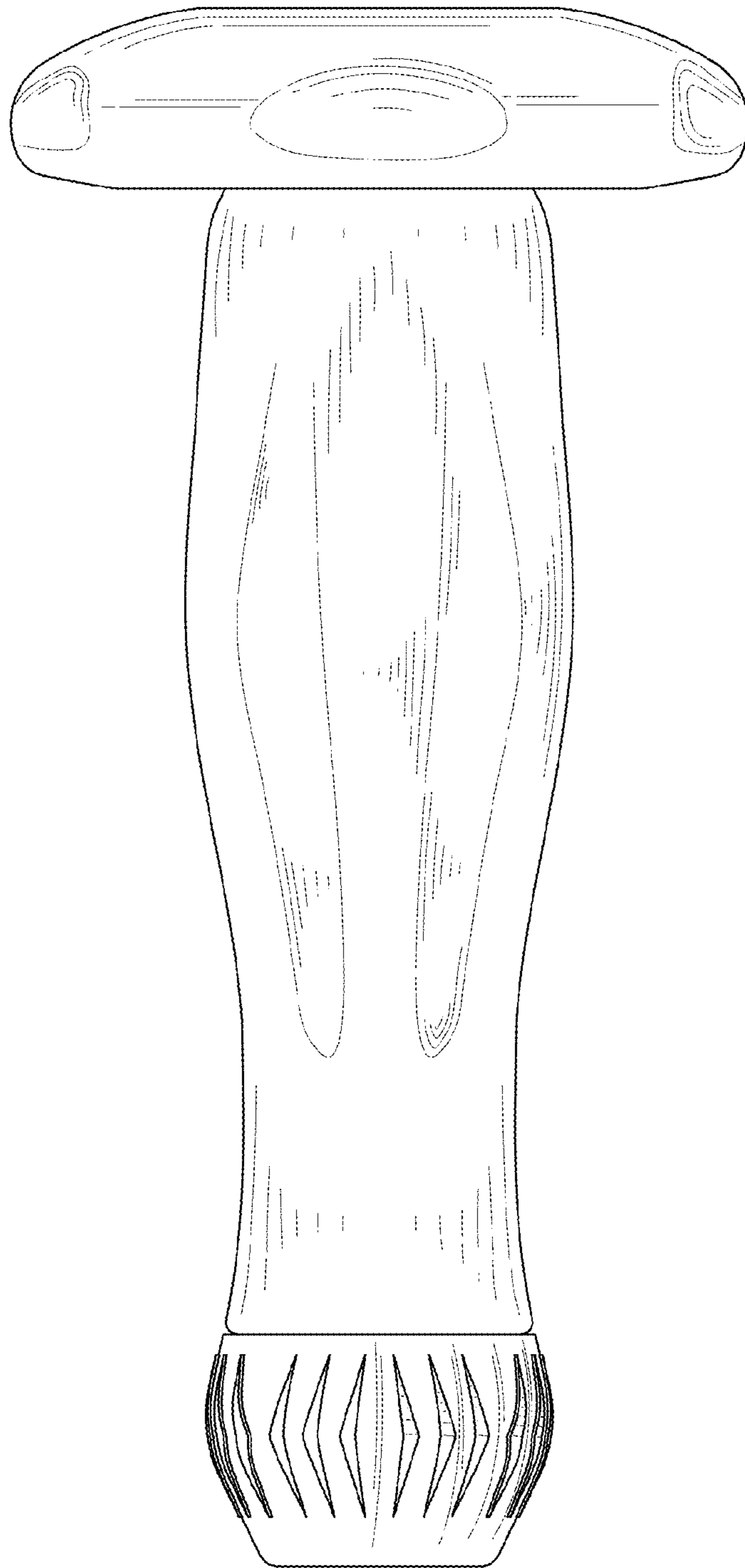


FIG. 7

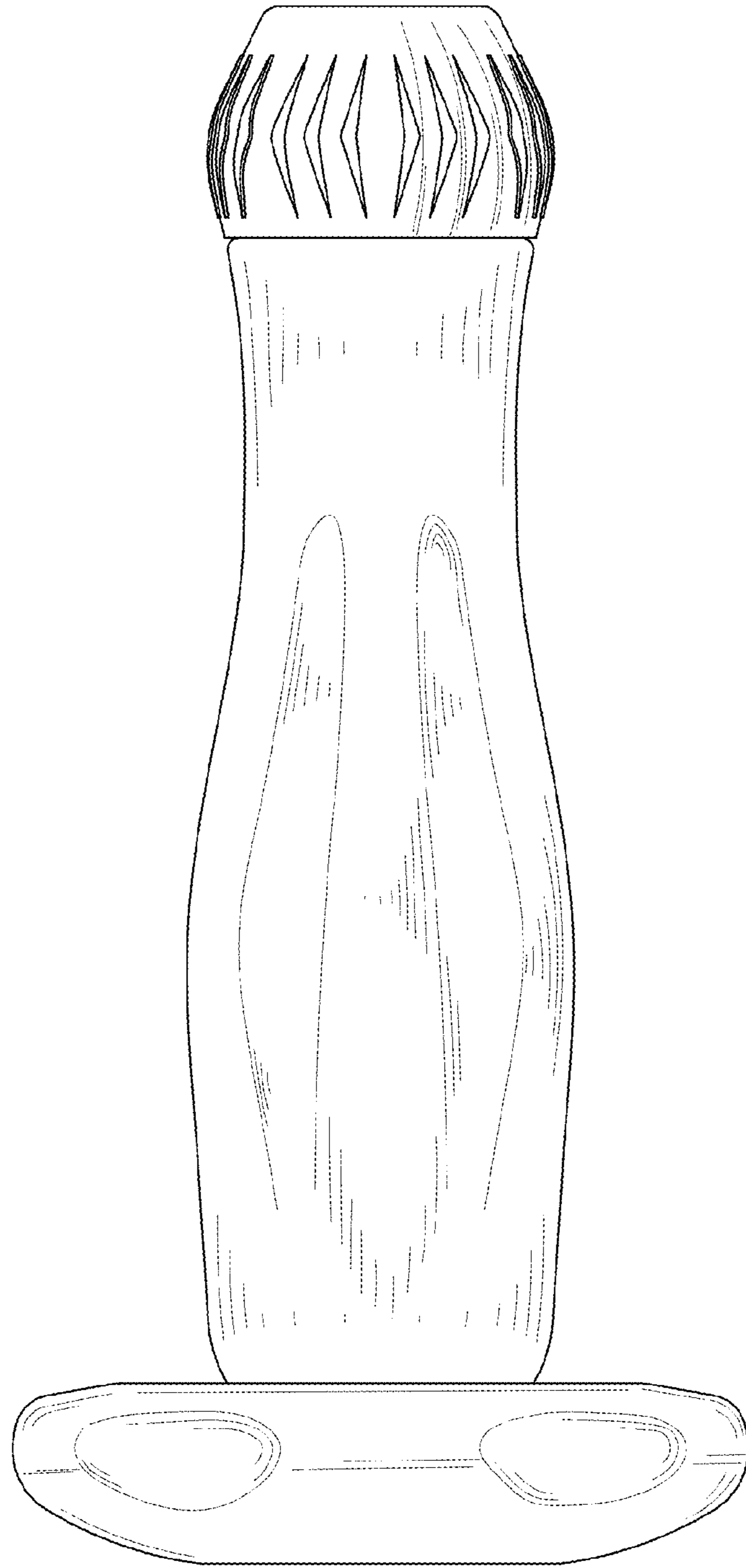
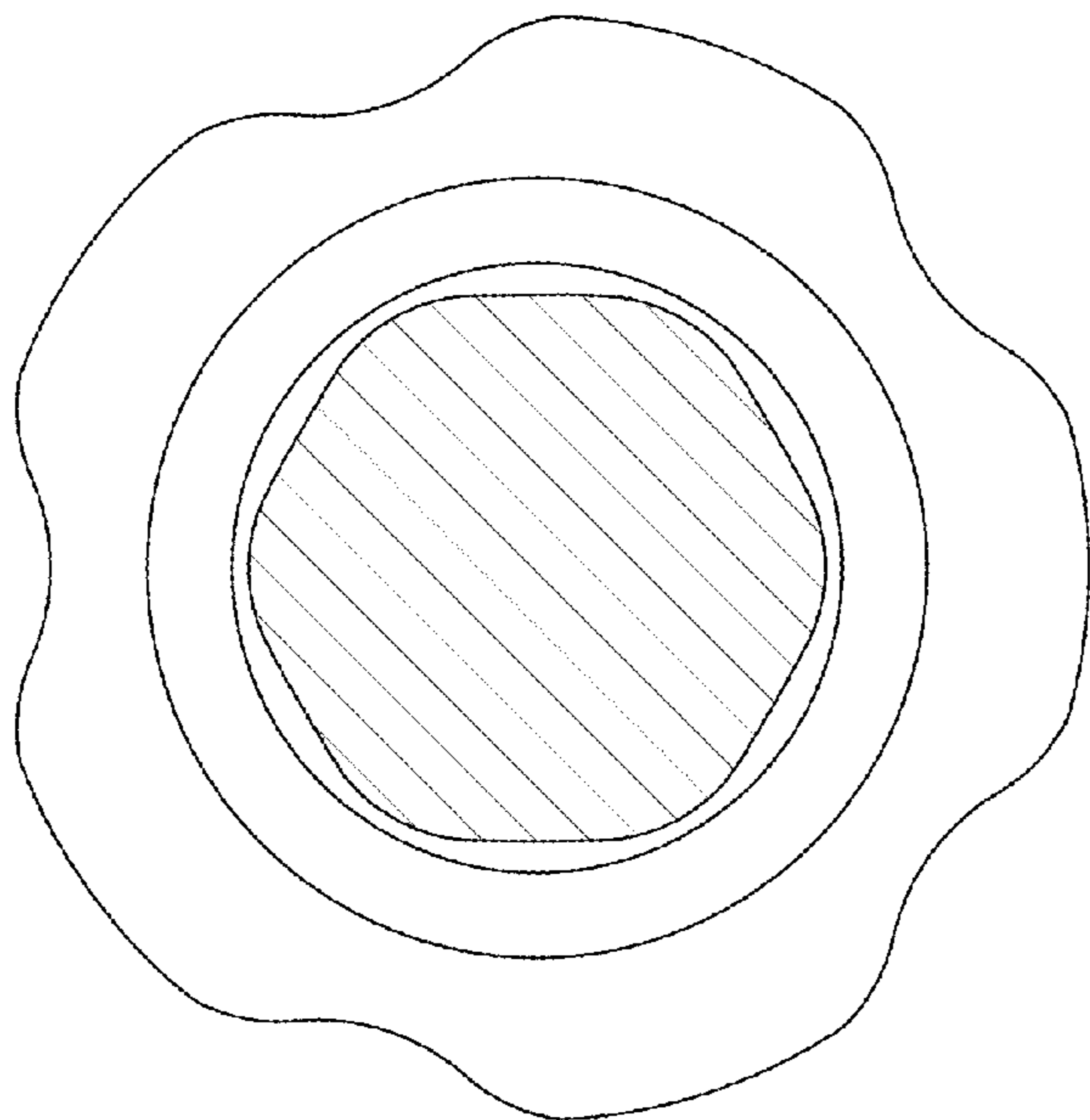
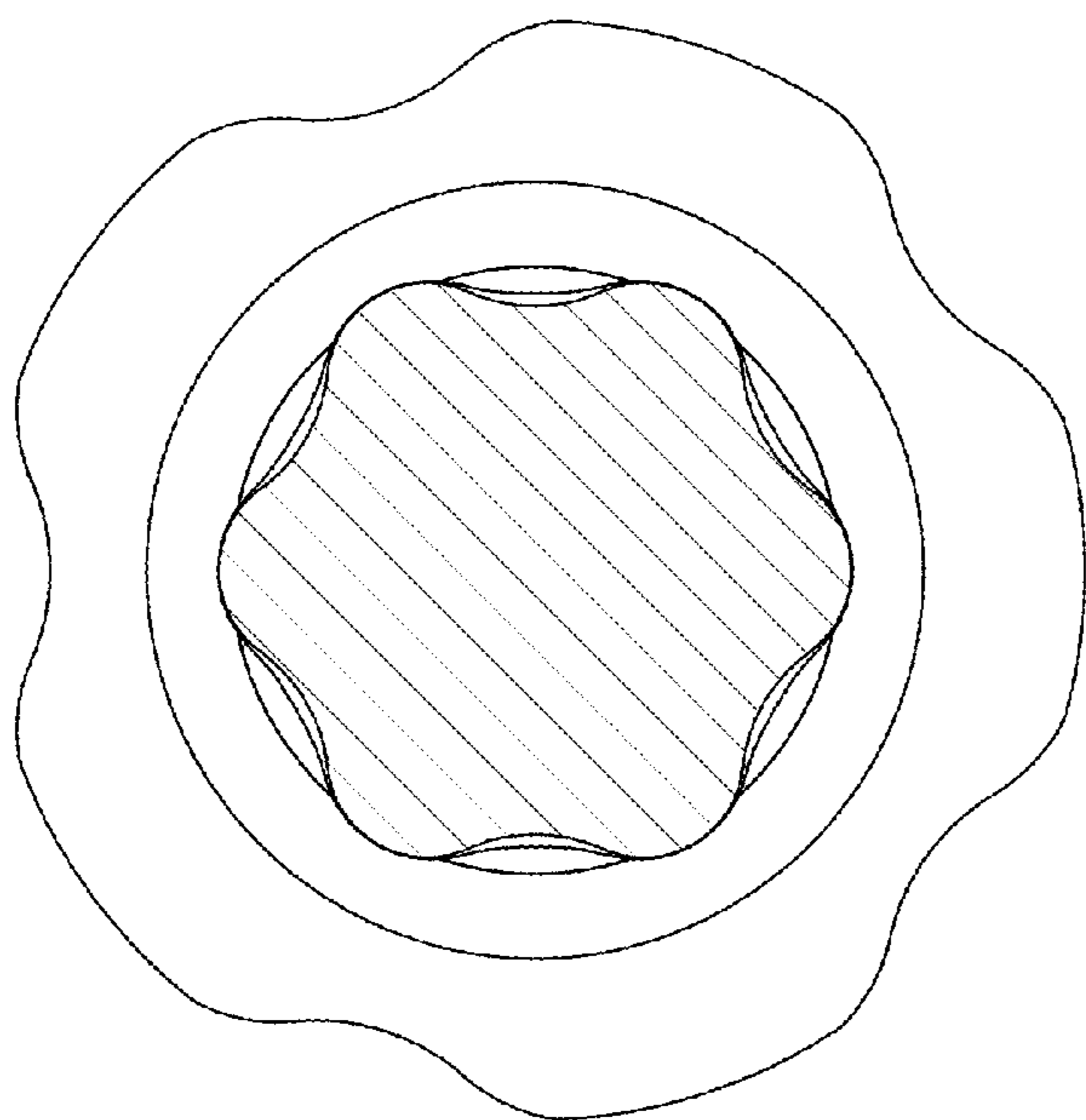


FIG. 8



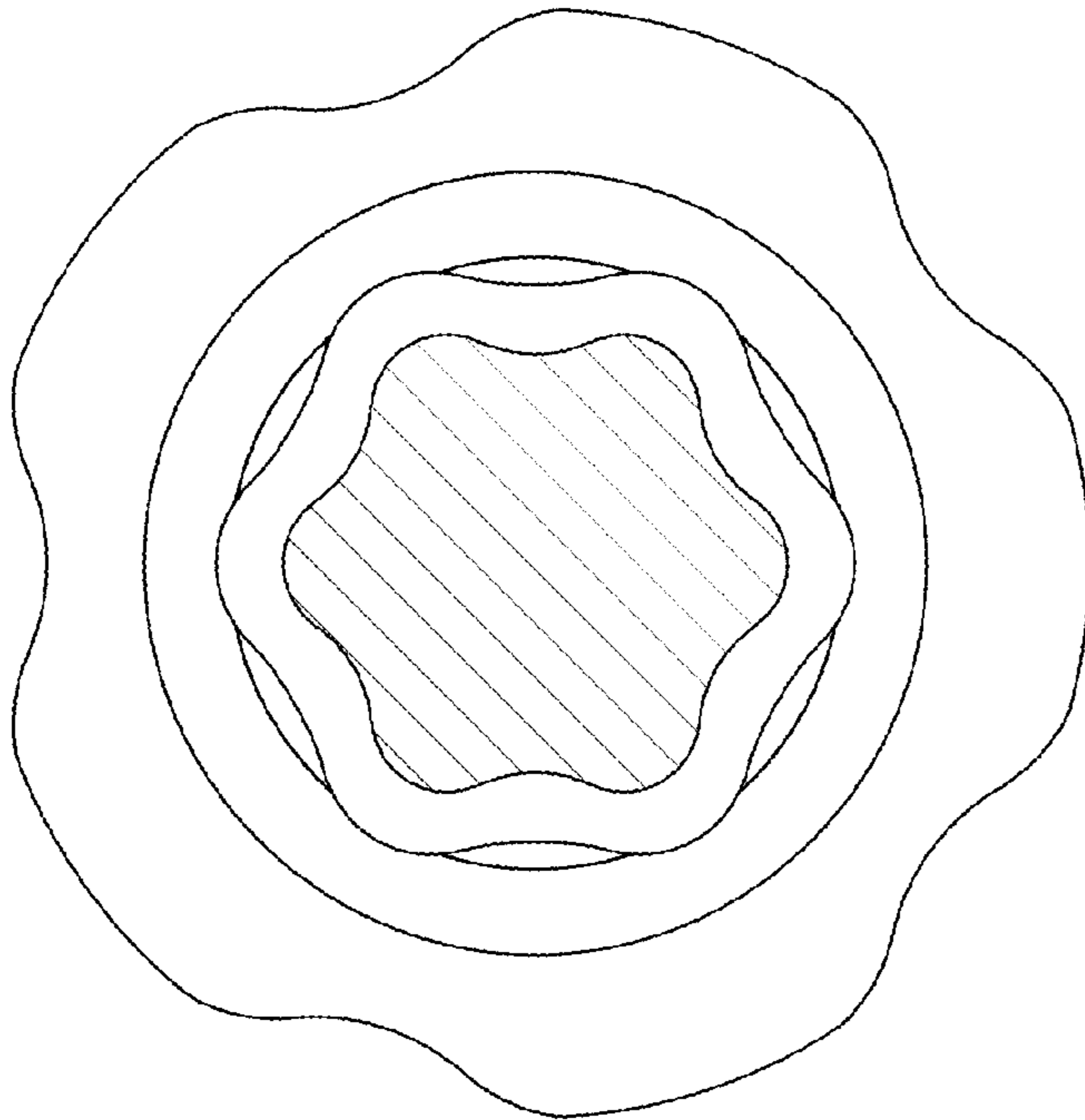
A—A

FIG. 9



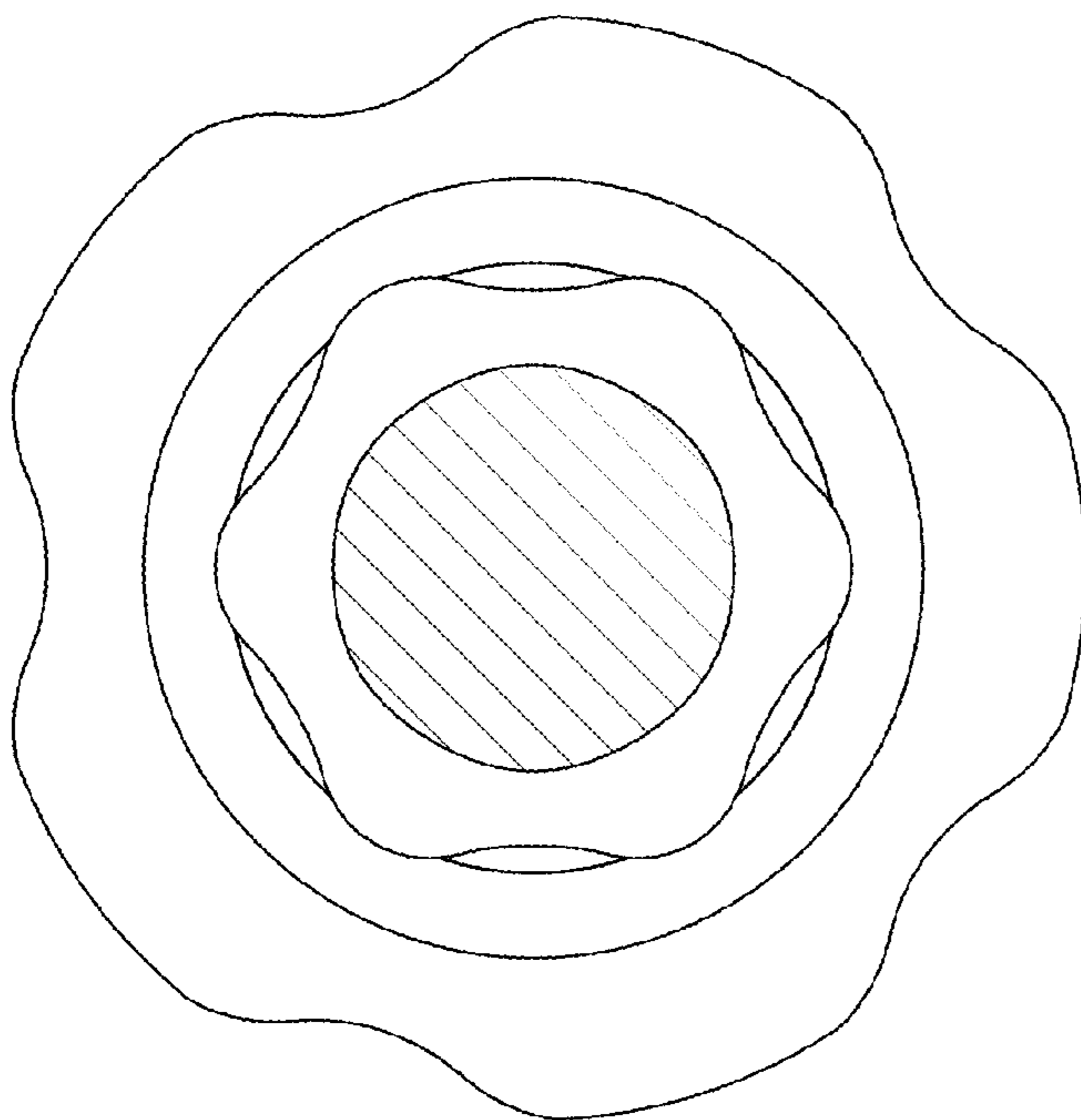
B—B

FIG. 10



C-C

FIG. 11



D-D

FIG. 12

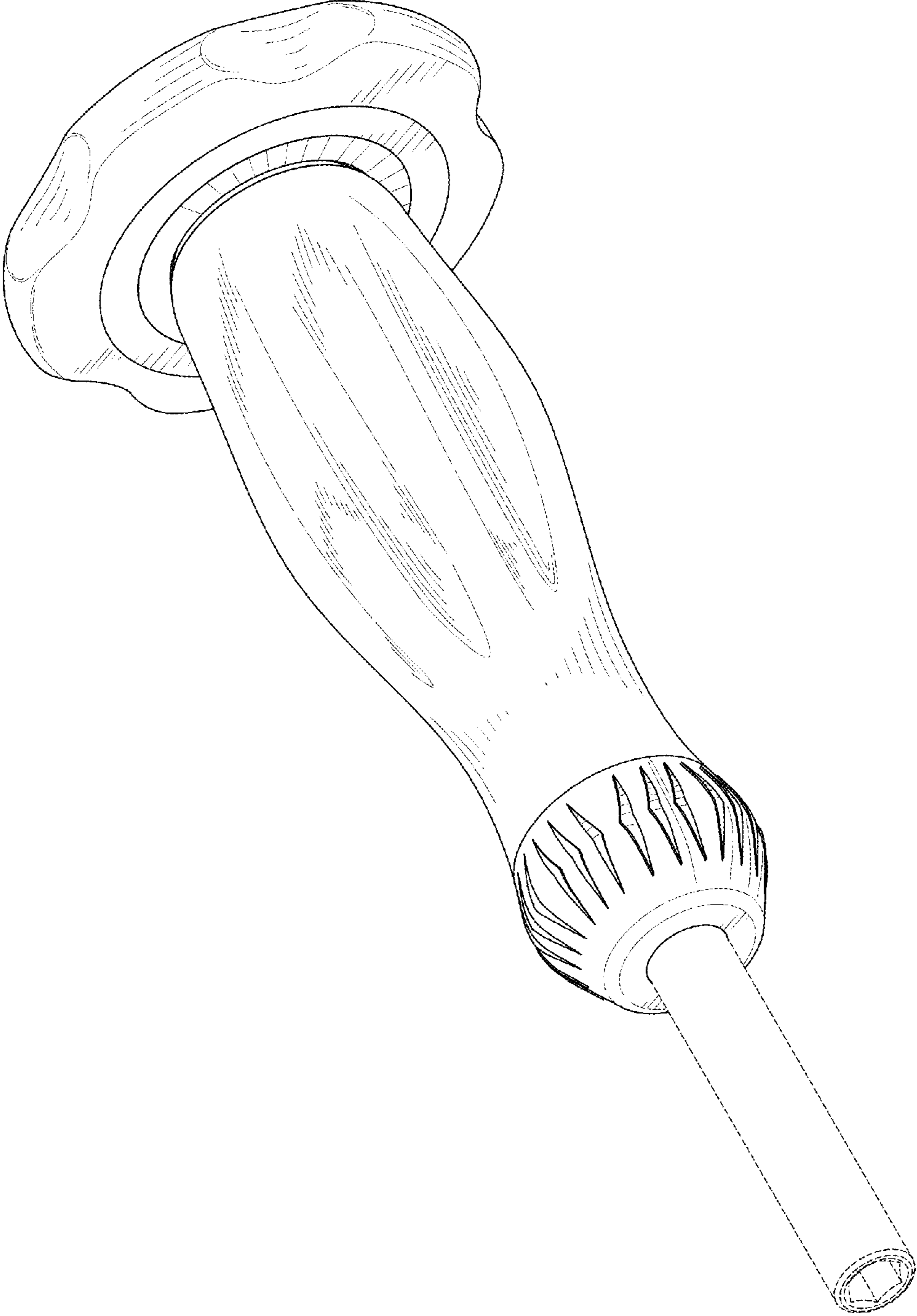


FIG. 13