



US00D700032S

(12) **United States Design Patent**
Frenken

(10) **Patent No.:** **US D700,032 S**
(45) **Date of Patent:** **** Feb. 25, 2014**

(54) **HAND-HELD POWER TOOL**

FOREIGN PATENT DOCUMENTS

(71) Applicant: **Gustav Klauke GmbH**, Remscheid (DE)

FR 2698026 5/1994

(72) Inventor: **Egbert Frenken**, Heinsberg (DE)

(73) Assignee: **Gustav Klauke GmbH** (DE)

(**) Term: **14 Years**

(21) Appl. No.: **29/460,799**

(22) Filed: **Jul. 15, 2013**

OTHER PUBLICATIONS

CN-58H: 6 Ton Remote Compression C-Head with Rubber Boot—, 95" Jaw Opening. Apr. 13, 2013 [online], [retrieved on May 8, 2013]. Retrieved from the Internet <URL: <http://www.huskiertools.com/products/cn-58h-6-ton-remote-compression-c-head-withrubber-boot-95-jaw-opening/>>.

(Continued)

Related U.S. Application Data

(62) Division of application No. 29/425,289, filed on Jun. 21, 2012, now Pat. No. Des. 690,177.

Primary Examiner — Philip S Hyder
Assistant Examiner — Darlington Ly

(74) *Attorney, Agent, or Firm* — Klintworth & Rozenblat IP LLC

Foreign Application Priority Data

Dec. 22, 2011 (EM) 001307318

(51) **LOC (10) Cl.** **08-03**

(52) **U.S. Cl.**
USPC **D8/68; D8/60**

(58) **Field of Classification Search**
USPC D8/60, 61, 62, 67, 68, 69; 81/57, 57.11, 81/57.14, 57.26, 429, 464, 469; 173/2, 173/170, 176, 181
See application file for complete search history.

CLAIM

(57) The ornamental design for a hand-held power tool, as shown and described.

DESCRIPTION

FIG. 1 is a left side elevation view of a hand-held power tool; FIG. 2 is a top plan view of the hand-held power tool; FIG. 3 is a bottom plan view of the hand-held power tool; FIG. 4 is a front elevation view of the hand-held power tool; FIG. 5 is a rear elevation view of the hand-held power tool; FIG. 6 is a right side elevation view of the hand-held power tool; FIG. 7 is a perspective view of the hand-held power tool; and, FIG. 8 is a perspective view of the hand-held power tool shown at a reduced scale and connected to an environmental hydraulic pump to which is shown in broken lines. The broken lines shown in the drawings show environmental structure that form no part of the design to be patented.

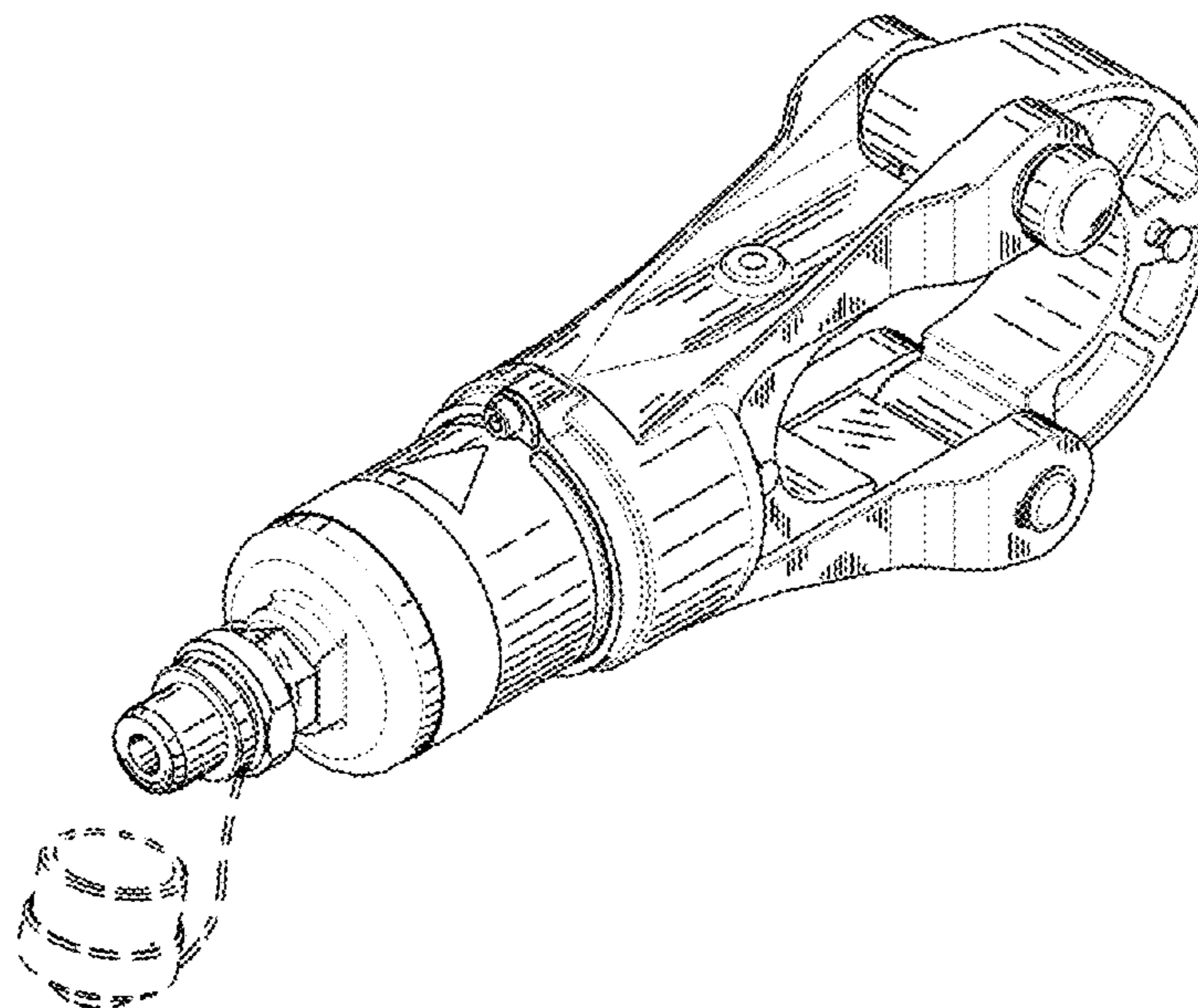
(56) **References Cited**

U.S. PATENT DOCUMENTS

D309,563 S * 7/1990 Astle D8/60
D329,793 S * 9/1992 Fukuda D8/60
5,381,686 A * 1/1995 Thorup 72/453.06

(Continued)

1 Claim, 3 Drawing Sheets



(56)

References Cited

U.S. PATENT DOCUMENTS

D378,340 S * 3/1997 Harter D8/60
 6,453,719 B1 * 9/2002 Heskey et al. 72/453.16
 6,619,101 B1 * 9/2003 Faucher et al. 72/456
 6,666,064 B2 * 12/2003 LeFavour et al. 72/453.15
 6,718,870 B1 * 4/2004 Frenken 100/266
 D531,867 S * 11/2006 Payne et al. D8/61
 D673,829 S * 1/2013 Takeshima et al. D8/61
 2005/0005672 A1 * 1/2005 Sneath 72/453.16
 2009/0313820 A1 * 12/2009 Roman et al. 29/863

OTHER PUBLICATIONS

Battery Powered Hydraulic Tools. www.crimping-tool.com. Oct. 4, 2012 [online], [retrieved on May 8, 2013]. Retrieved from the

Internet <URL: <http://www.crimping-tool.com/Battery-Powered-Hydraulic-Crimping-Tools.htm>>.

Green Lee A Tectron Company—Crimp Tool, Dieless Remote FT. Apr. 9, 2012 [online], [retrieved on May 8, 2013]. Retrieved from the Internet <URL: http://www.greenlee.com/products/CRIMP-TOOL%2540cDI_ELESS%2540d_REMOTEF.html?product_id=17980>.

Thomas & Betts. Power-Assisted Compression Tools: #8 to 1500 or 2000MCM. Apr. 9, 2012 [online], [retrieved on May 8, 2013]. Retrieved from the Internet <URL: <http://www.specialized.net/Specialized//Assets/ProductSpecifications//272X016.PDF>>.

* cited by examiner

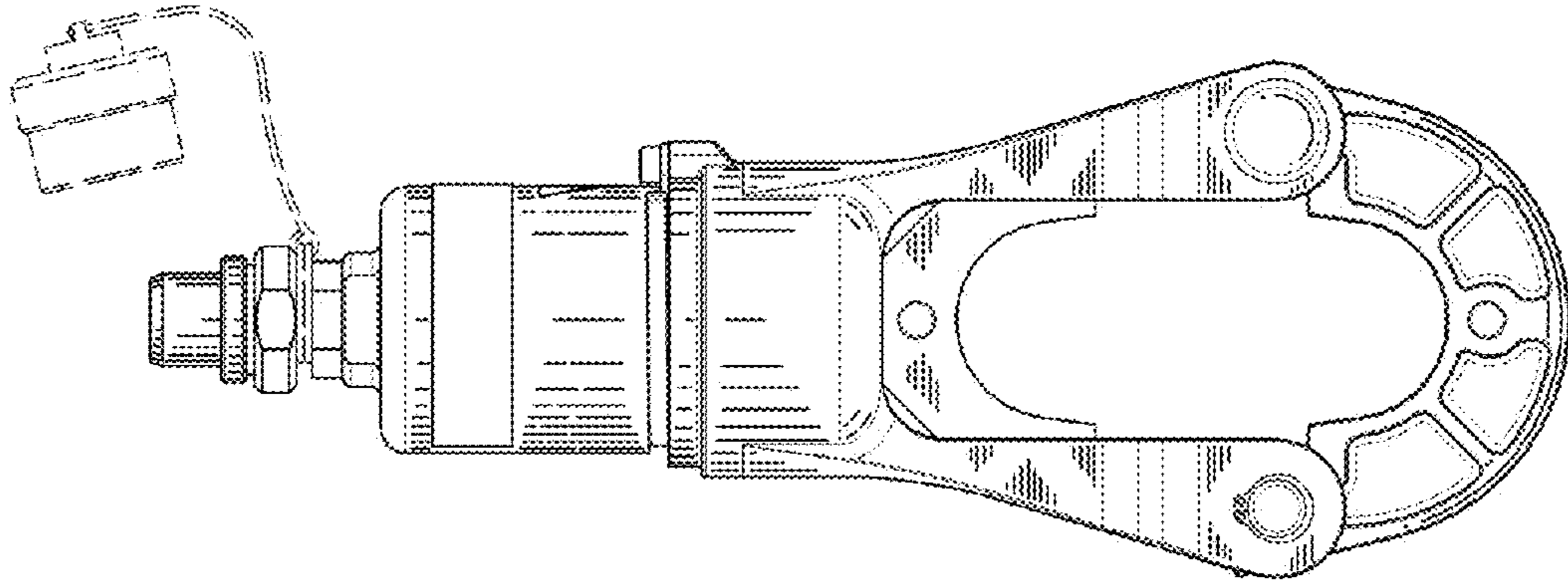


FIG. 1

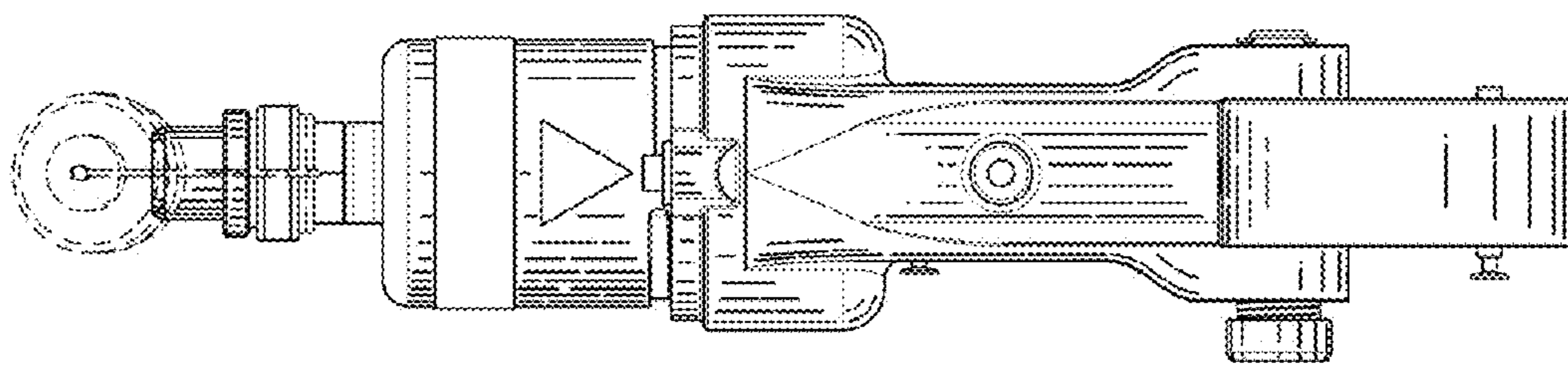


FIG. 2

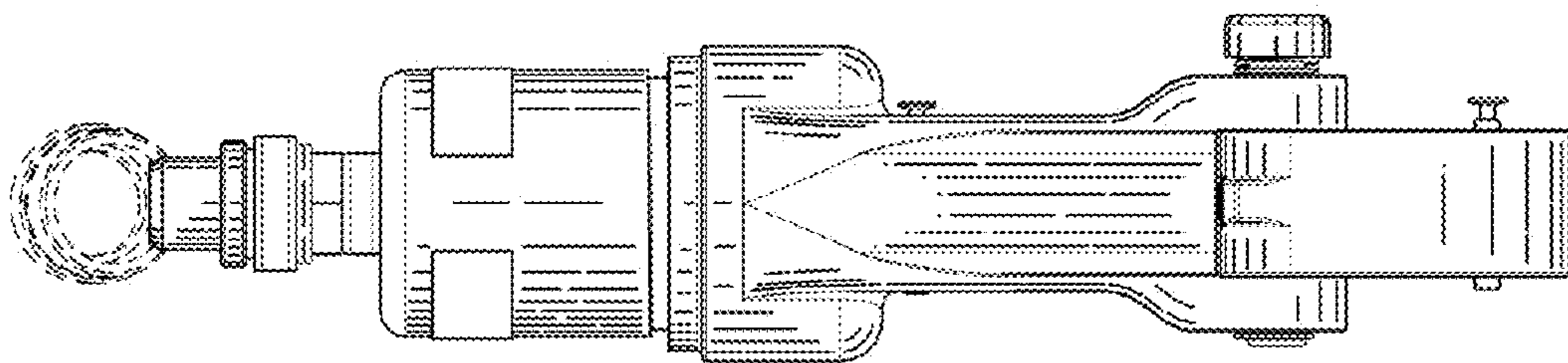


FIG. 3

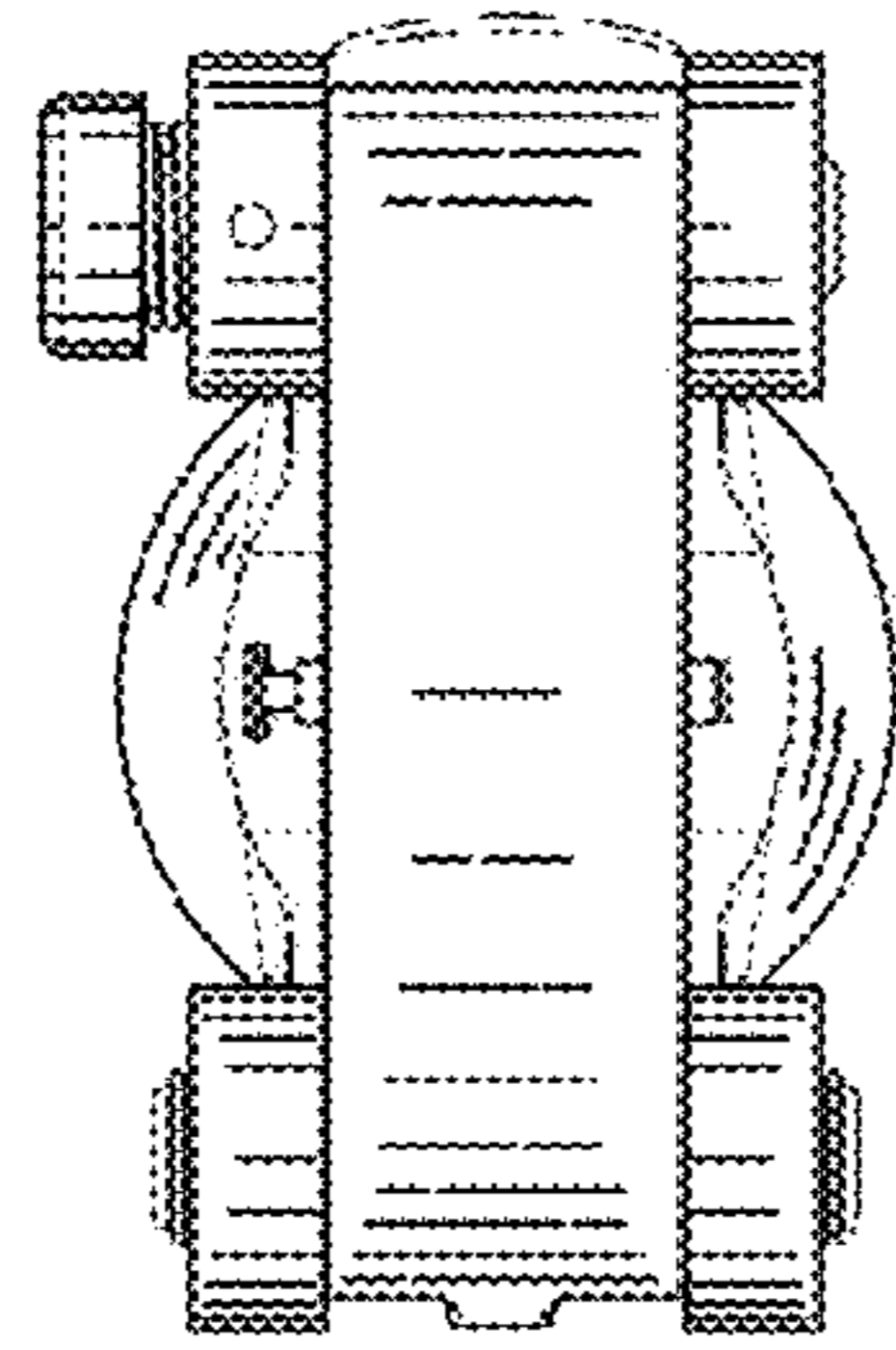


FIG. 4

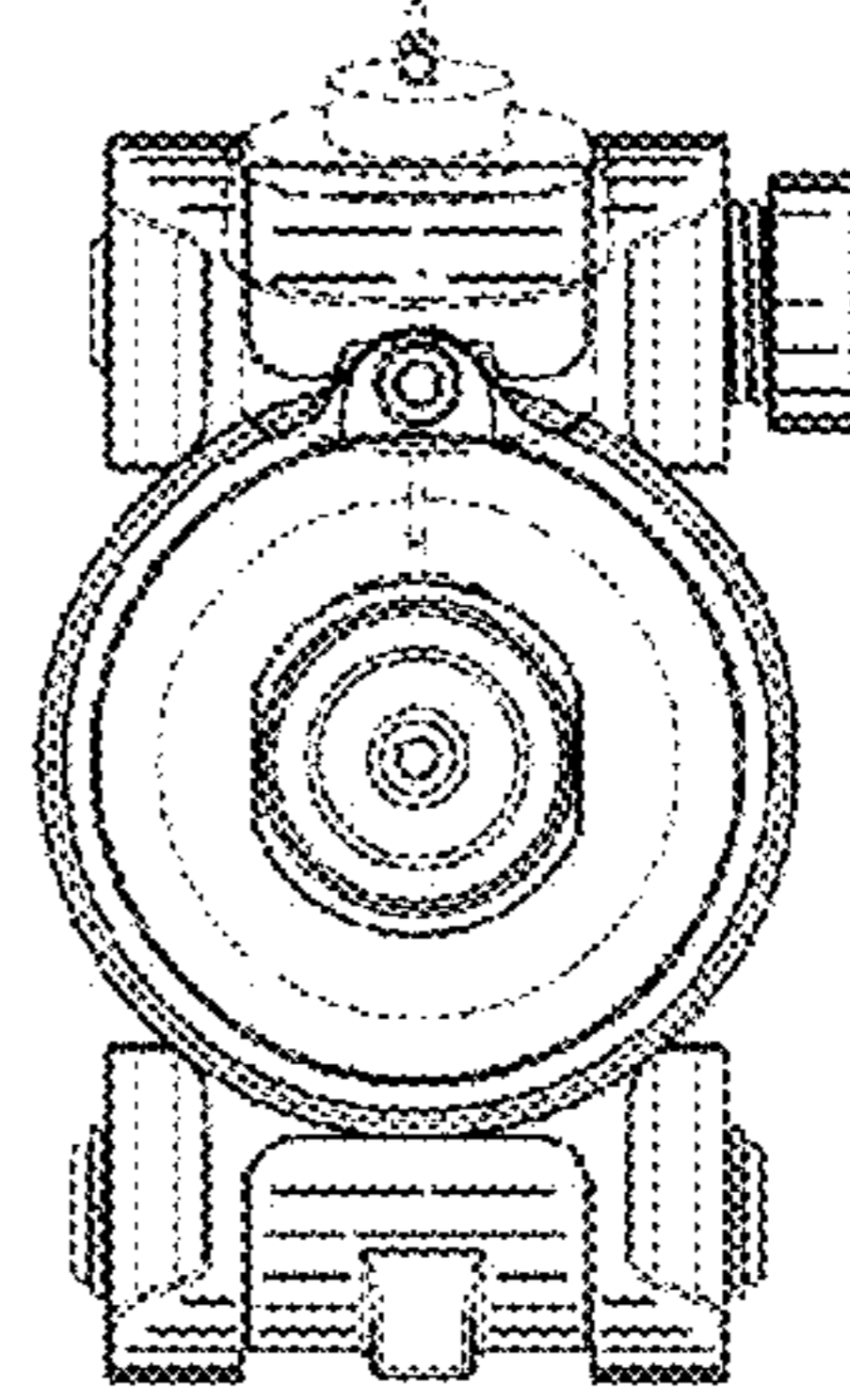


FIG. 5

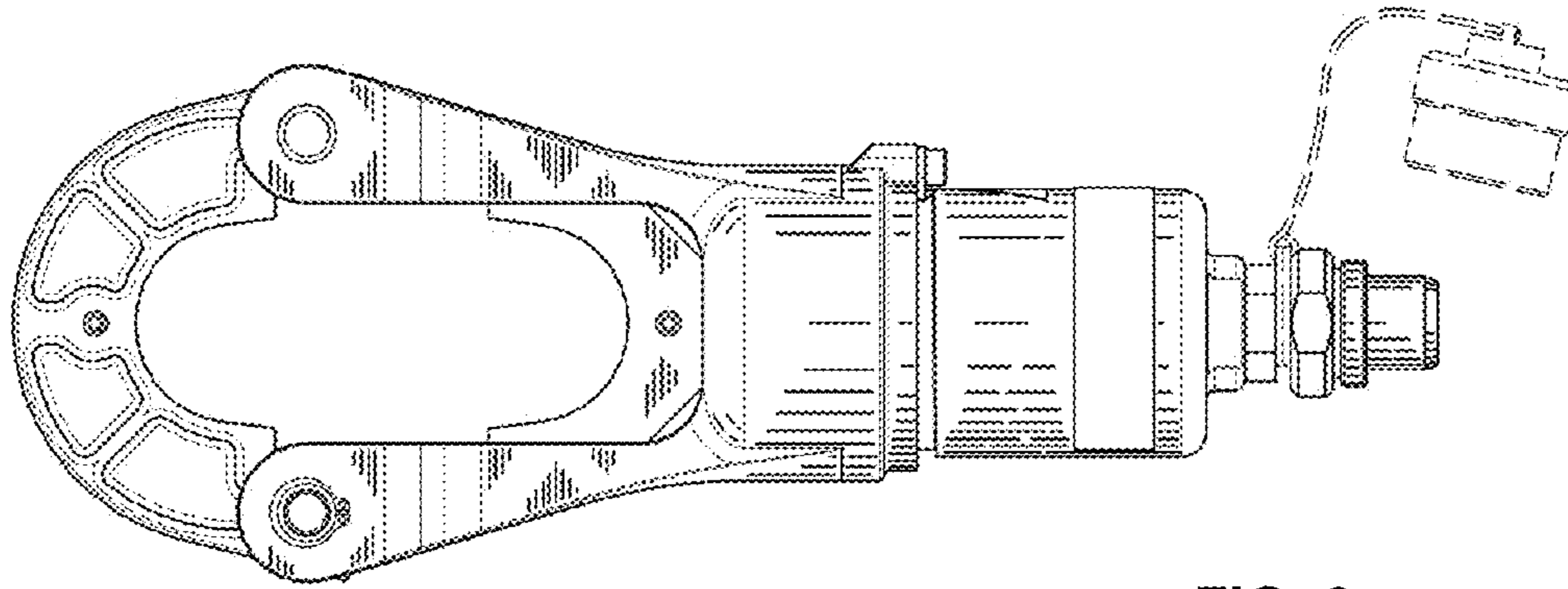


FIG. 6

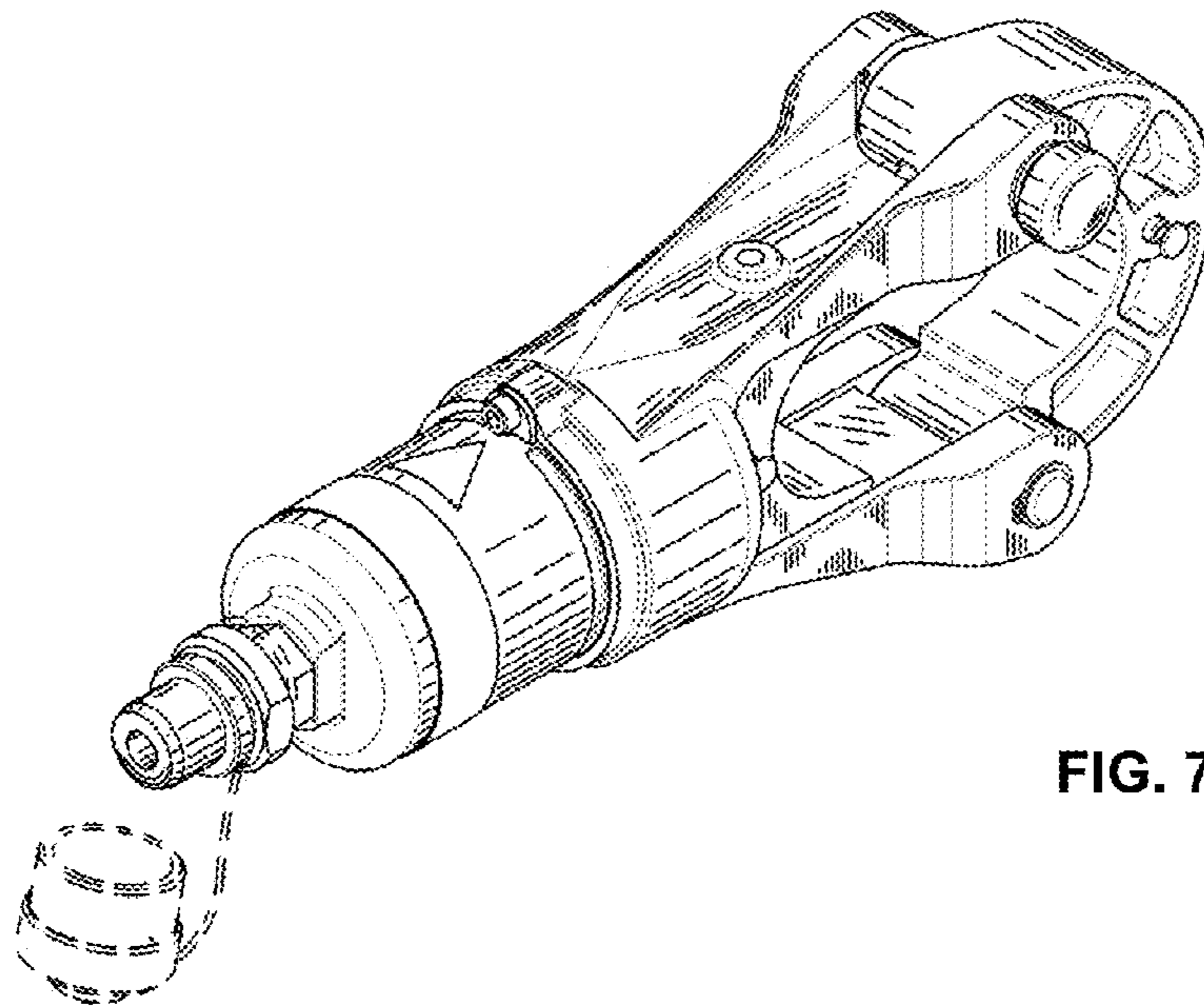


FIG. 7

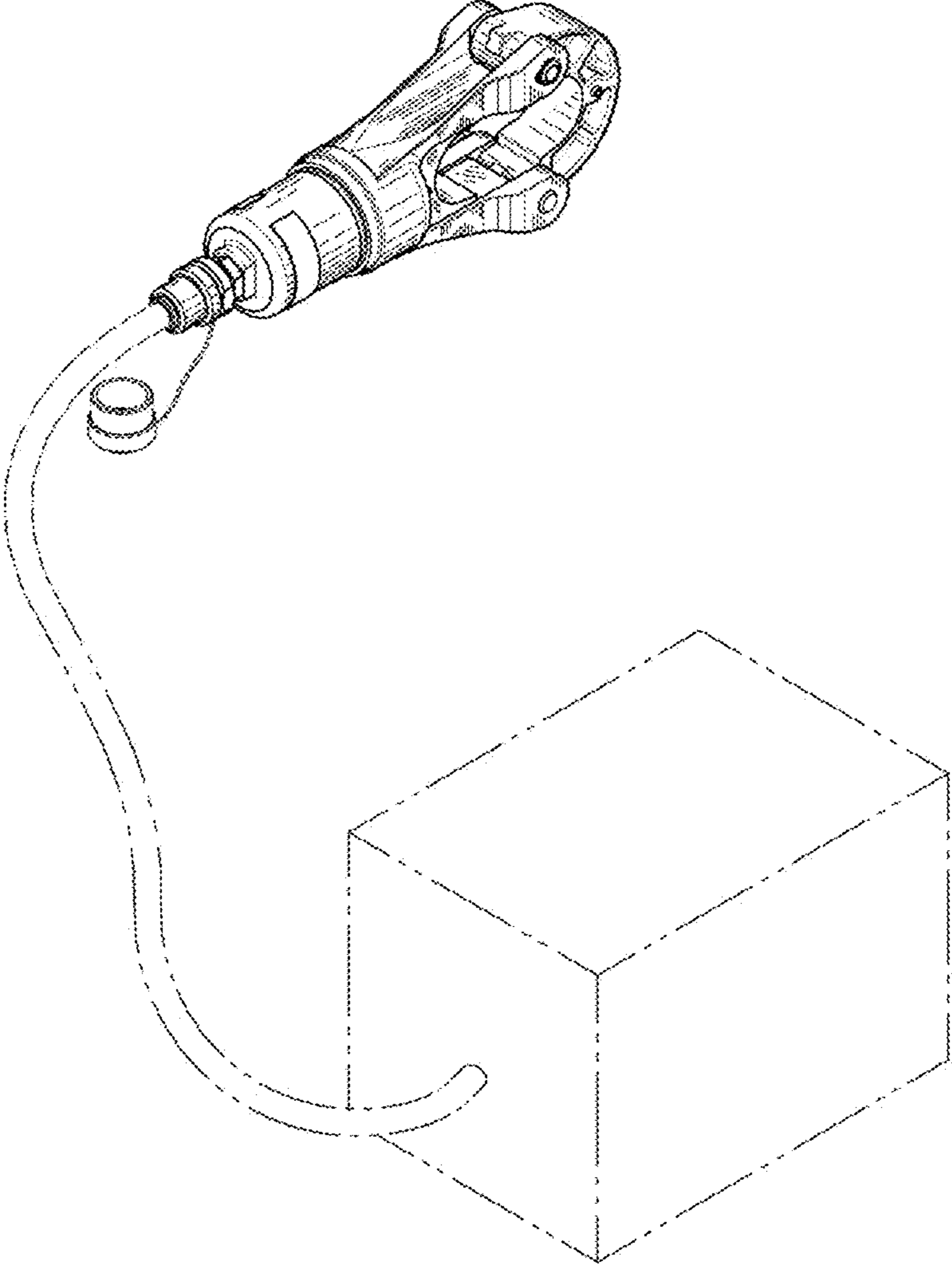


FIG. 8