

US00D700031S

(12) **United States Design Patent**
Aglassinger

(10) **Patent No.:** **US D700,031 S**

(45) **Date of Patent:** **** Feb. 25, 2014**

(54) **SANDER**

(71) Applicant: **Robert Bosch GmbH**, Stuttgart (DE)

(72) Inventor: **Hans-Peter Aglassinger**, Esslingen (DE)

(73) Assignee: **Robert Bosch GmbH**, Stuttgart (DE)

(**) Term: **14 Years**

(21) Appl. No.: **29/445,741**

(22) Filed: **Feb. 15, 2013**

(30) **Foreign Application Priority Data**

Aug. 17, 2012 (EM) 002088997

(51) **LOC (10) Cl.** **08-01**

(52) **U.S. Cl.**
USPC **D8/62**

(58) **Field of Classification Search**
USPC D8/67, 62, 61, 70; D32/15, 17, 19;
D4/102; 451/456, 451, 359, 358, 357,
451/356, 355, 364, 344; 144/154.5, 373;
30/475

See application file for complete search history.

(56) **References Cited**

U.S. PATENT DOCUMENTS

1,374,772 A * 4/1921 Smith 15/24
3,251,085 A * 5/1966 Jacobs 15/23
D339,275 S * 9/1993 Fukuda et al. D8/62
D384,870 S * 10/1997 Yamaguchi D8/62

D385,764 S * 11/1997 Goto D8/62
D392,529 S * 3/1998 Goto D8/62
D395,585 S * 6/1998 Andersson D8/62
D468,177 S * 1/2003 Goto D8/62
D468,609 S * 1/2003 Goto D8/62
D491,782 S * 6/2004 Chiba et al. D8/62
D521,334 S * 5/2006 Chen D8/62
D529,356 S * 10/2006 Goto D8/62
D566,502 S * 4/2008 Chen D8/62
D576,461 S * 9/2008 Bast D8/62
D637,056 S * 5/2011 Schomisch D8/62

* cited by examiner

Primary Examiner — Austin Murphy

(74) *Attorney, Agent, or Firm* — Maginot, Moore & Beck

(57) **CLAIM**

The ornamental design for a sander, as shown and described.

DESCRIPTION

FIG. 1 is a right side elevational view of a sander showing my new design;

FIG. 2 is a rear elevational view showing the design for the sander of FIG. 1;

FIG. 3 is a left side elevational view showing the design for the sander of FIG. 1;

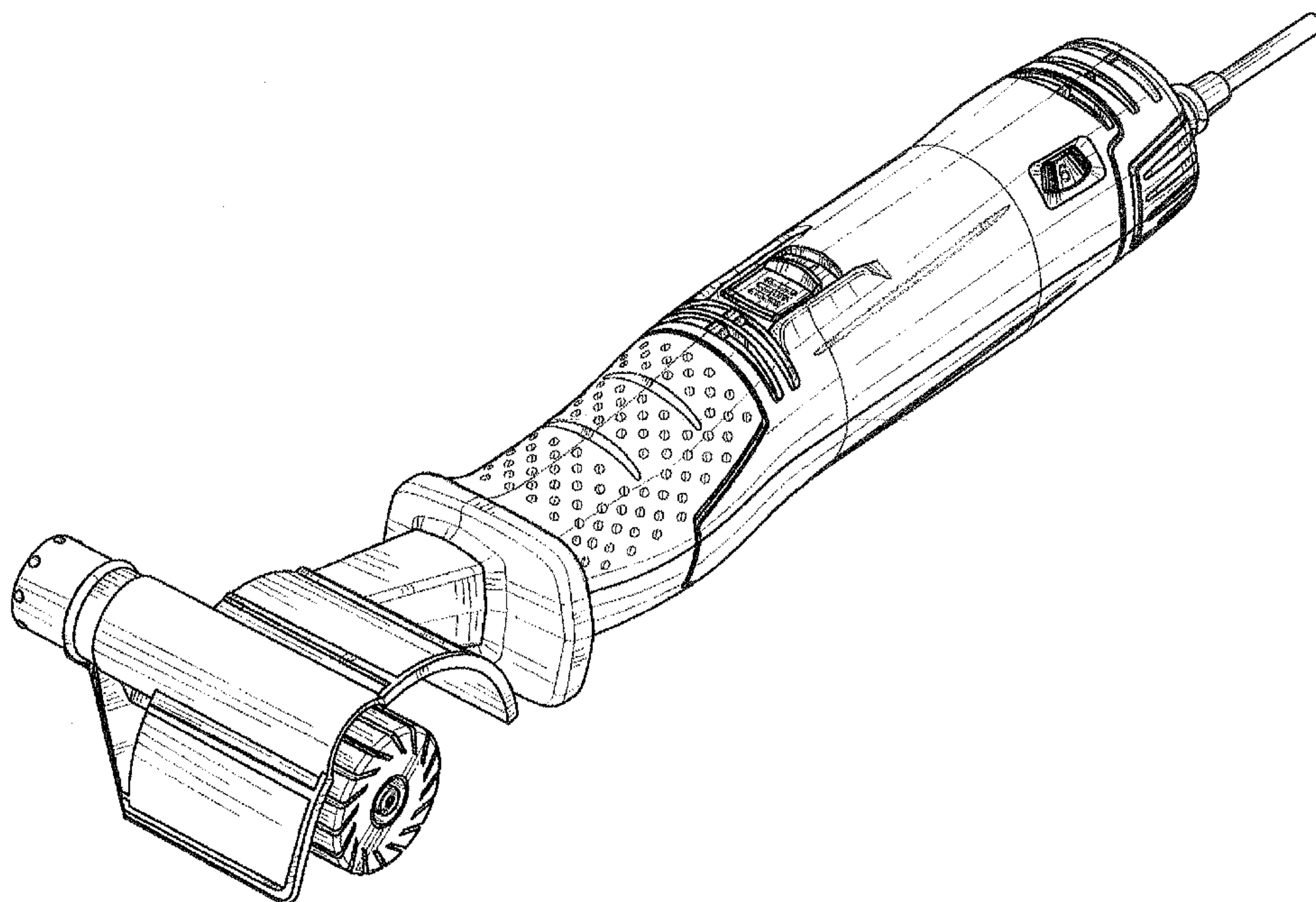
FIG. 4 is a front elevational view showing the design for the sander of FIG. 1;

FIG. 5 is a top elevational view showing the design for the sander of FIG. 1;

FIG. 6 is a bottom elevational view showing the design for the sander of FIG. 1; and,

FIG. 7 is a perspective view showing the design for the sander of FIG. 1.

1 Claim, 7 Drawing Sheets



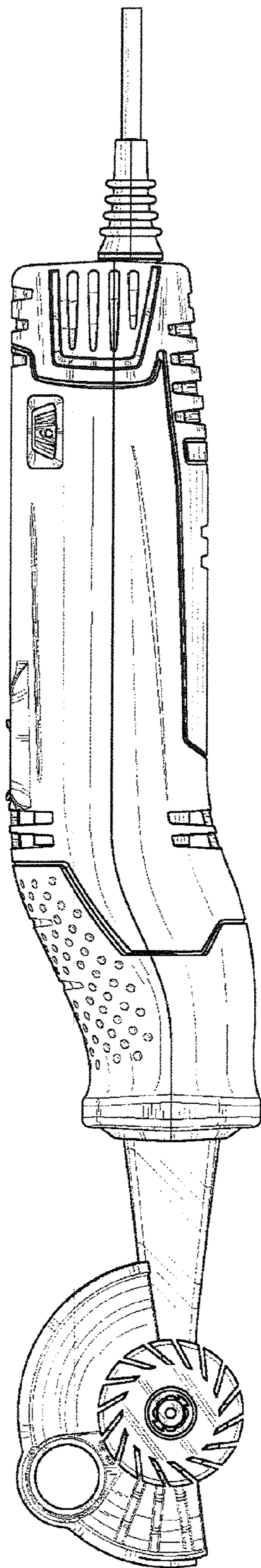


FIG. 1

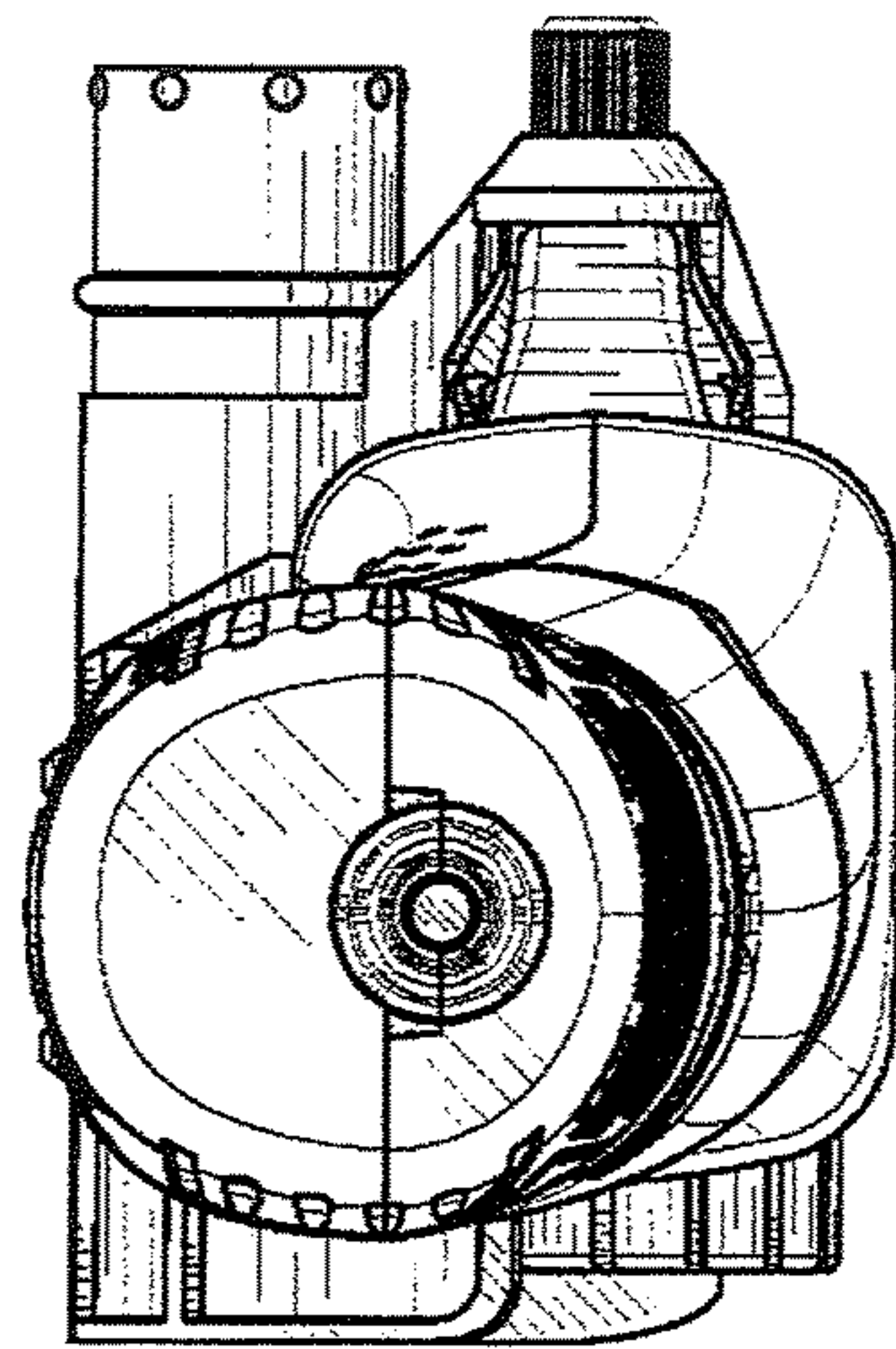


FIG. 2

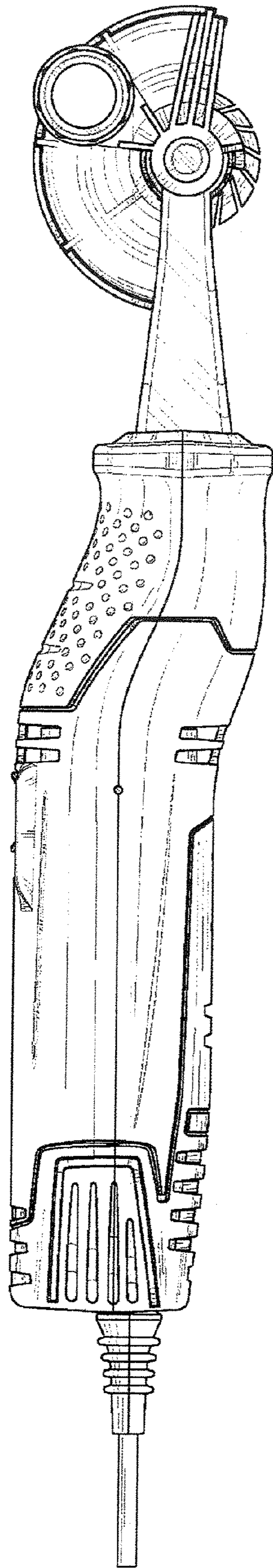


FIG. 3

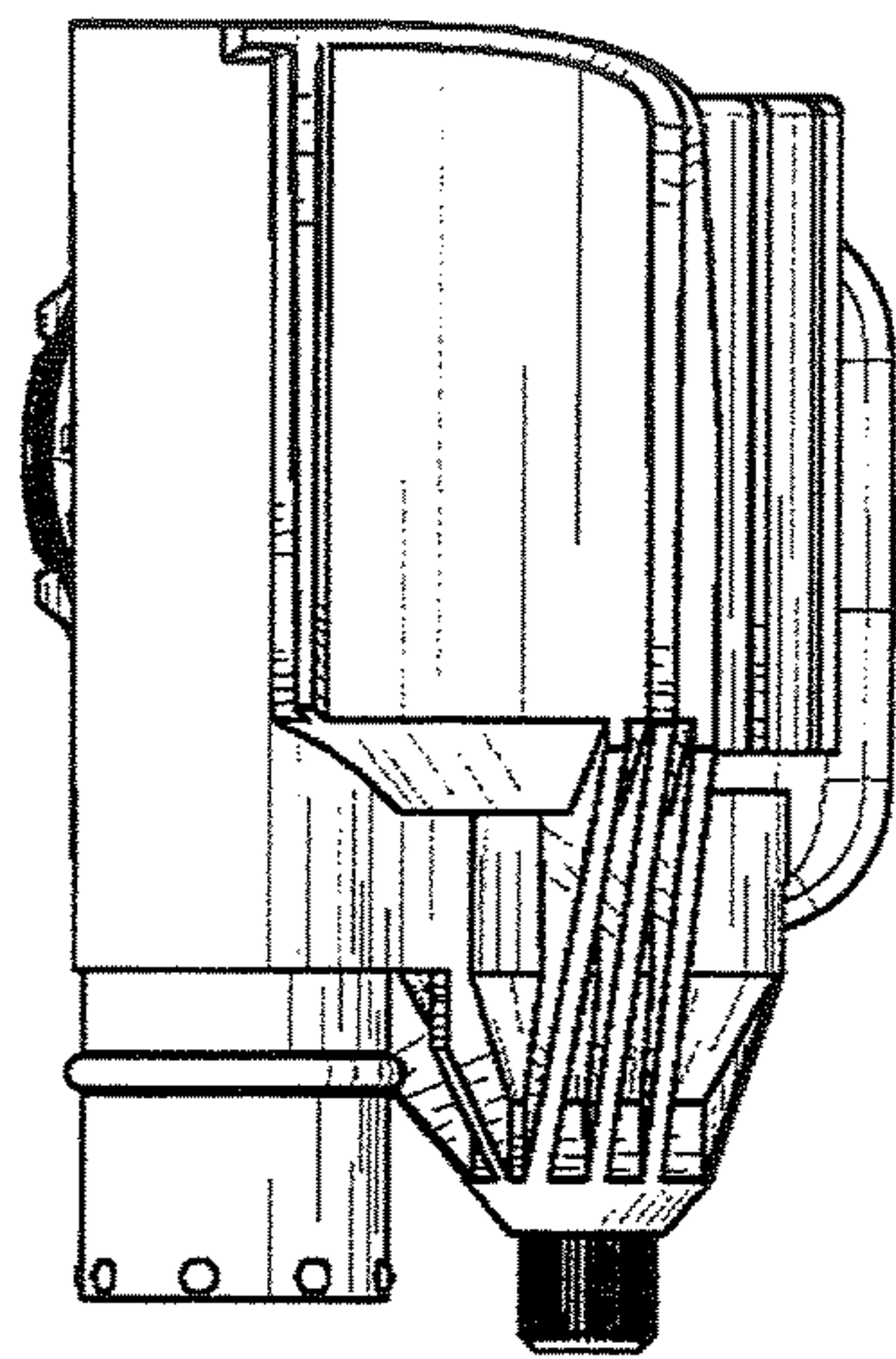


FIG. 4

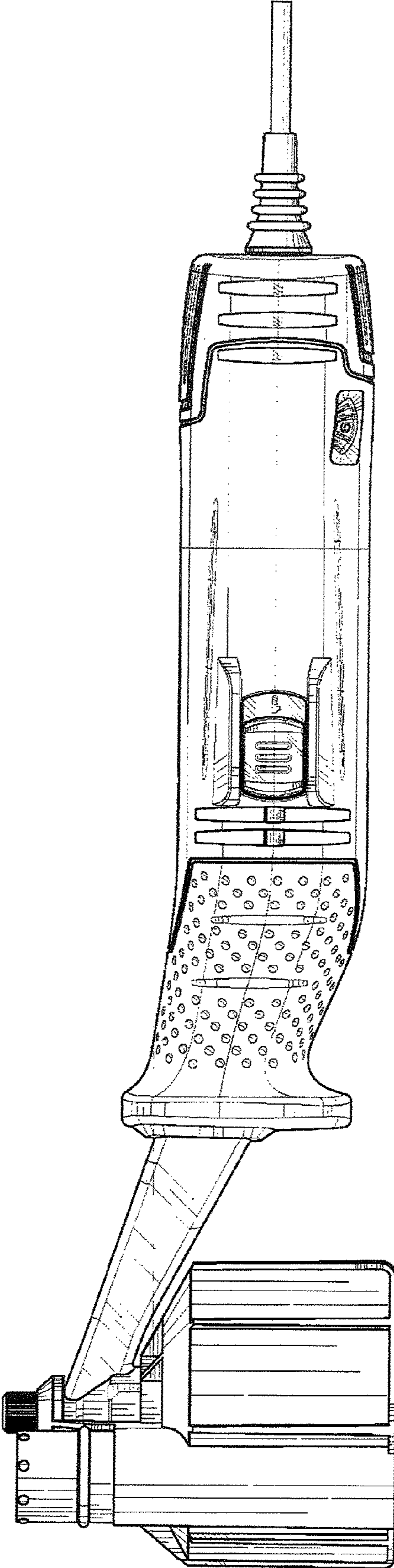


FIG. 5

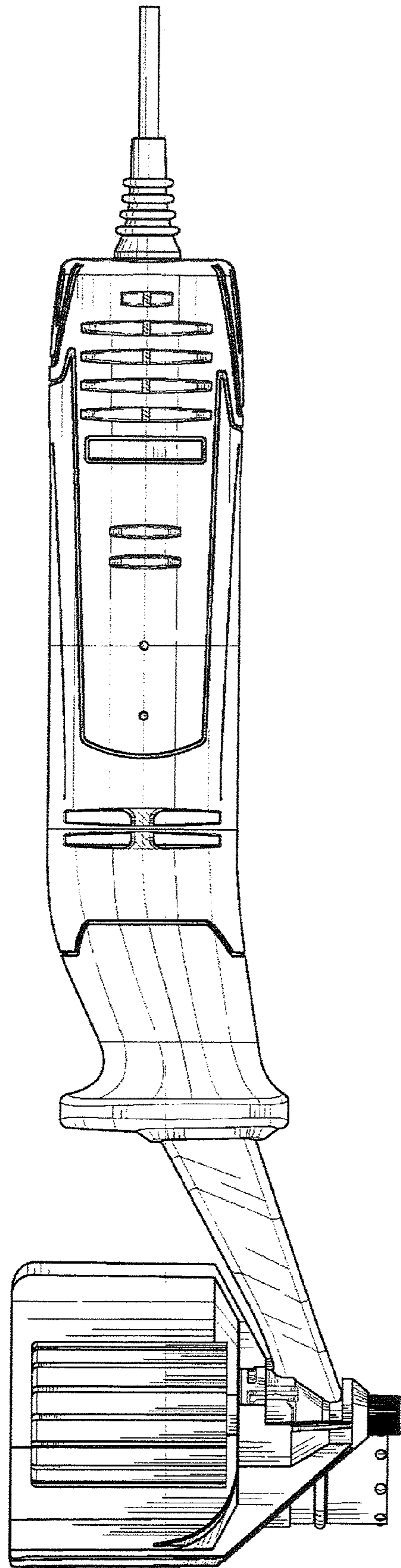


FIG. 6

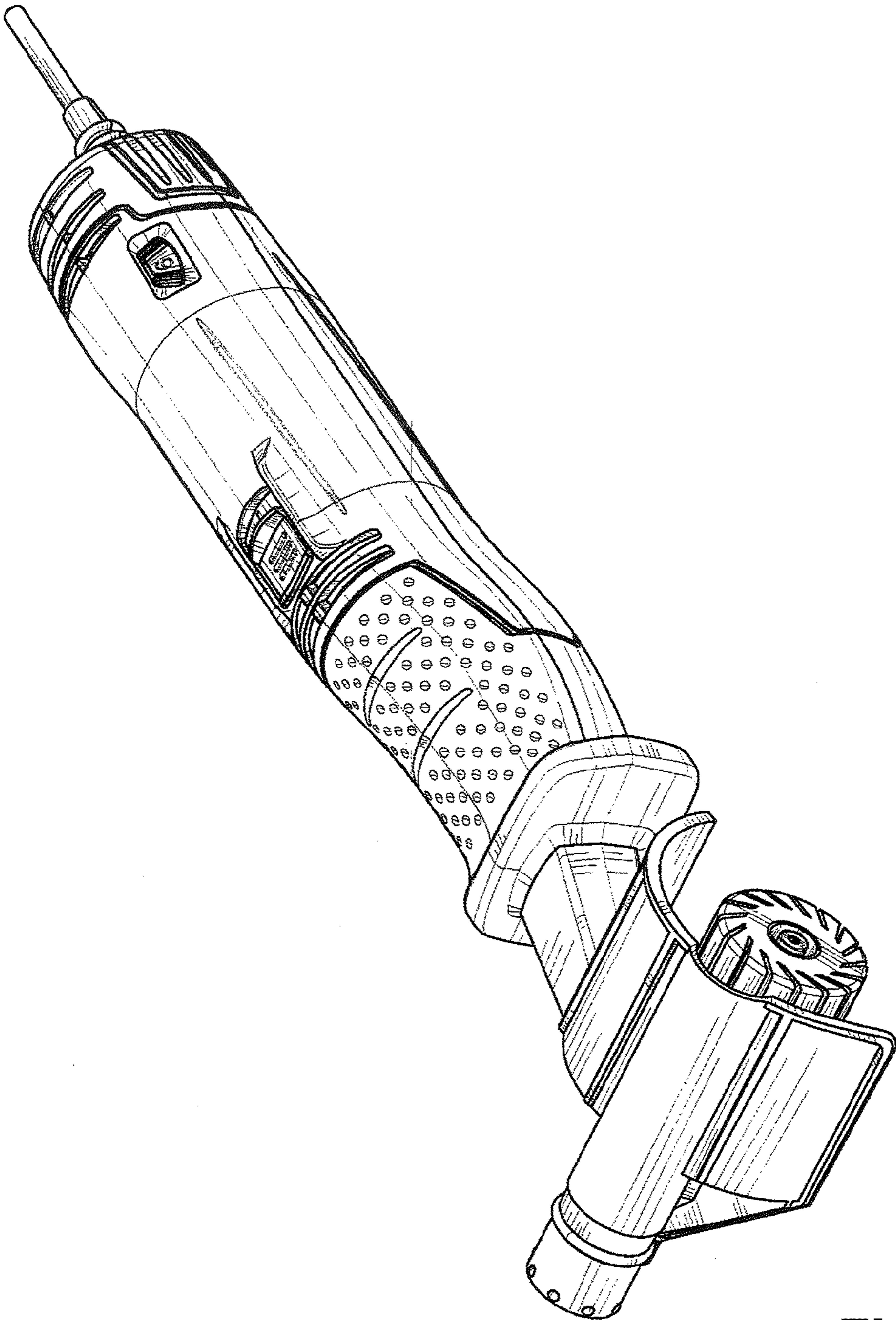


FIG. 7