



US00D700029S

(12) **United States Design Patent**  
**Roberts et al.**

(10) **Patent No.:** **US D700,029 S**  
(45) **Date of Patent:** **\*\* Feb. 25, 2014**

(54) **SCISSORS**

FOREIGN PATENT DOCUMENTS

(71) Applicant: **Iittala Group Oy Ab**, Helsinki (FI)  
(72) Inventors: **Colin Roberts**, Stevens Point, WI (US);  
**Daniel Cunningham**, Edgerton, WI  
(US); **Daniel J. Lipscomb**, Prairie Du  
Sac, WI (US); **Heikki Savolainen**,  
Helsinki (FI)

EM	001884826-0001	6/2011
EM	001884826-0002	6/2011
EM	001884826-0003	6/2011
EM	001884826-0004	6/2011
EM	001884826-0005	6/2011
EM	001884826-0006	6/2011
EM	001884826-0007	6/2011
EM	002063461-0001	6/2012
EM	002063461-0002	6/2012
EM	002063461-0003	6/2012

(73) Assignee: **Iittala Group Oy Ab**, Helsinki (FI)

OTHER PUBLICATIONS

(\*\*) Term: **14 Years**

U.S. Appl. No. 29/432,862, filed Sep. 21, 2012, Roberts et al.  
U.S. Appl. No. 29/432,860, filed Sep. 21, 2012, Roberts et al.

(21) Appl. No.: **29/432,861**

\* cited by examiner

(22) Filed: **Sep. 21, 2012**

*Primary Examiner* — Deanna L Pratt

(51) **LOC (10) Cl.** ..... **08-03**

(74) *Attorney, Agent, or Firm* — Foley & Lardner LLP

(52) **U.S. Cl.**  
USPC ..... **D8/57**

(57) **CLAIM**

We claim the ornamental design for a scissors, as shown and described.

(58) **Field of Classification Search**  
USPC ..... D8/4, 5, 51–58, 105, 107; D21/532;  
D27/195; D28/44; D7/693; D24/148;  
30/131, 195, 229, 194, 230–235, 268,  
30/350, 254–258; 7/135, 136

**DESCRIPTION**

See application file for complete search history.

FIG. 1 is an isometric view of a first embodiment of the claimed design;  
FIG. 2 is a left side elevational view thereof;  
FIG. 3 is a right side elevational view thereof;  
FIG. 4 is a top plan view thereof;  
FIG. 5 is a bottom plan view thereof;  
FIG. 6 is a front elevational view thereof; and,  
FIG. 7 is a rear elevational view thereof.

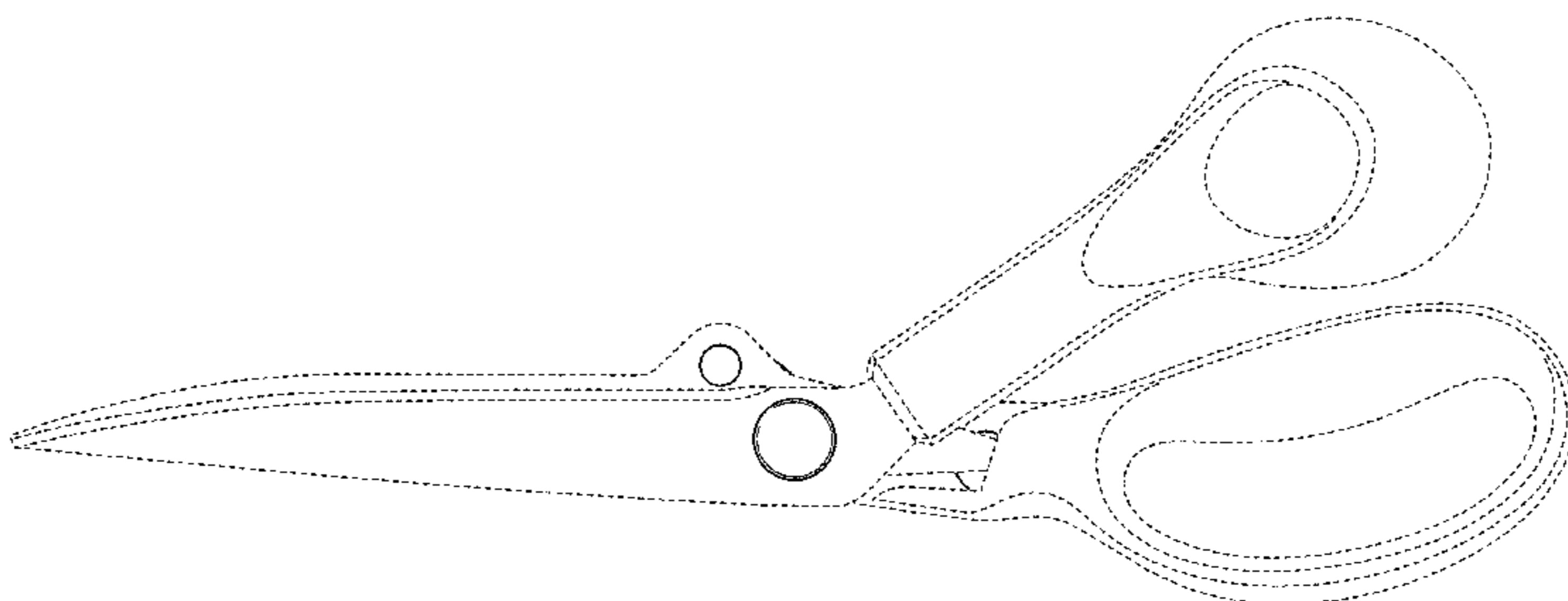
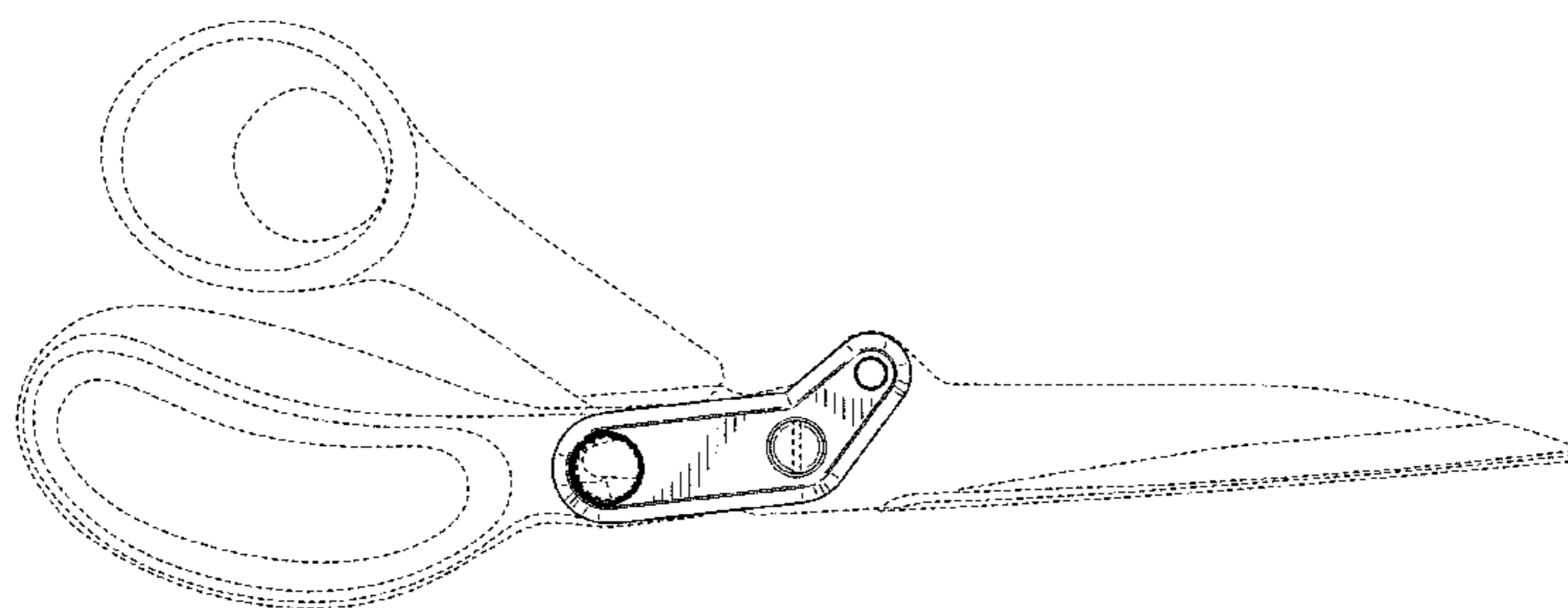
The ornamental design which is claimed is shown in solid lines in the drawings. The broken lines illustrate portions of the scissors which form no part of the claimed design.

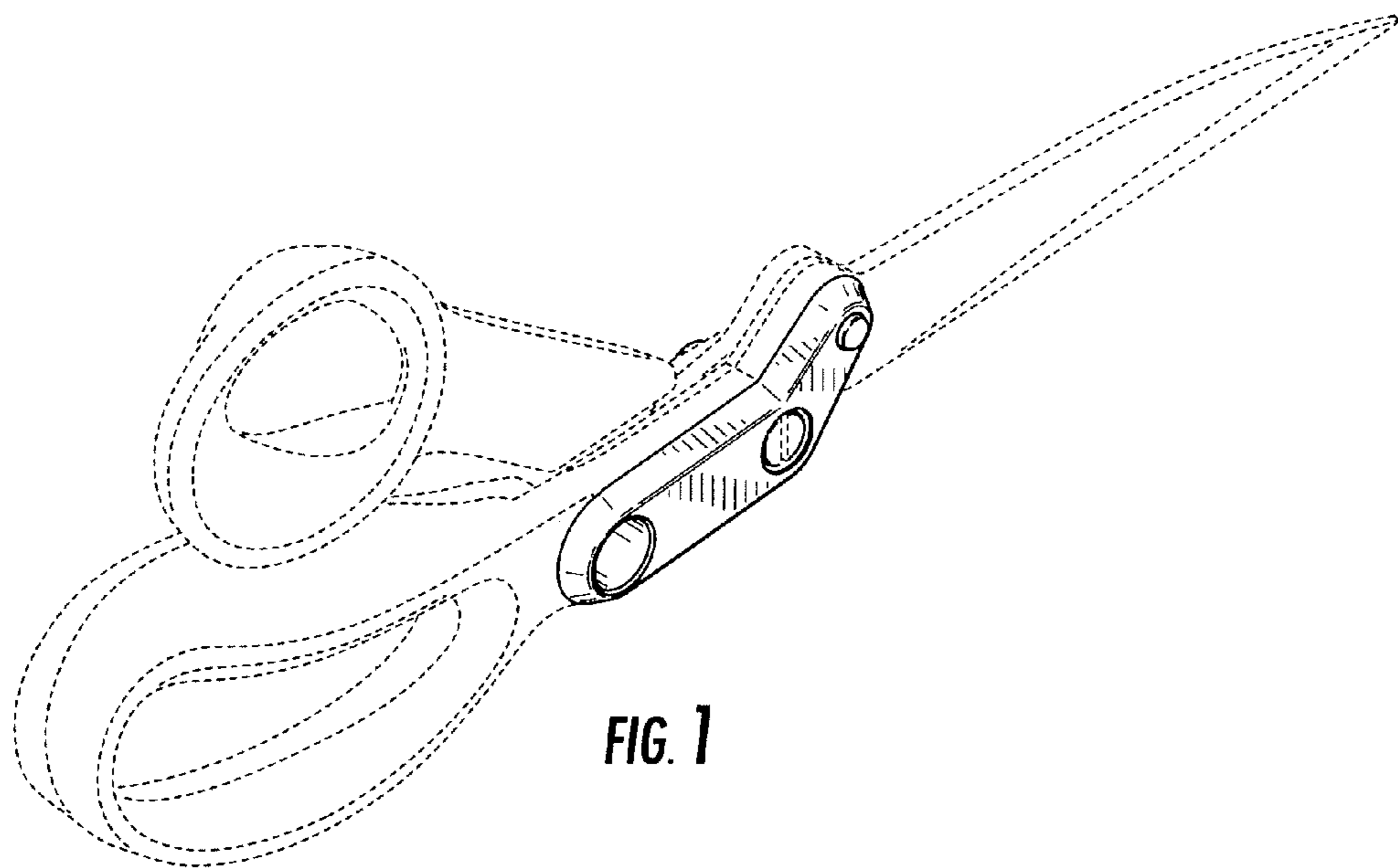
(56) **References Cited**

U.S. PATENT DOCUMENTS

3,533,162	A	*	10/1970	Pacitti	.....	30/260
D296,361	S	*	6/1988	Gerich et al.	.....	D24/143
D385,174	S	*	10/1997	Kawai	.....	D8/107
D618,996	S	*	7/2010	Wu	.....	D8/499
D695,082	S	*	12/2013	Huang	.....	D8/5
2013/0000131	A1	*	1/2013	Savolainen et al.	.....	30/252

**1 Claim, 5 Drawing Sheets**





**FIG. 1**

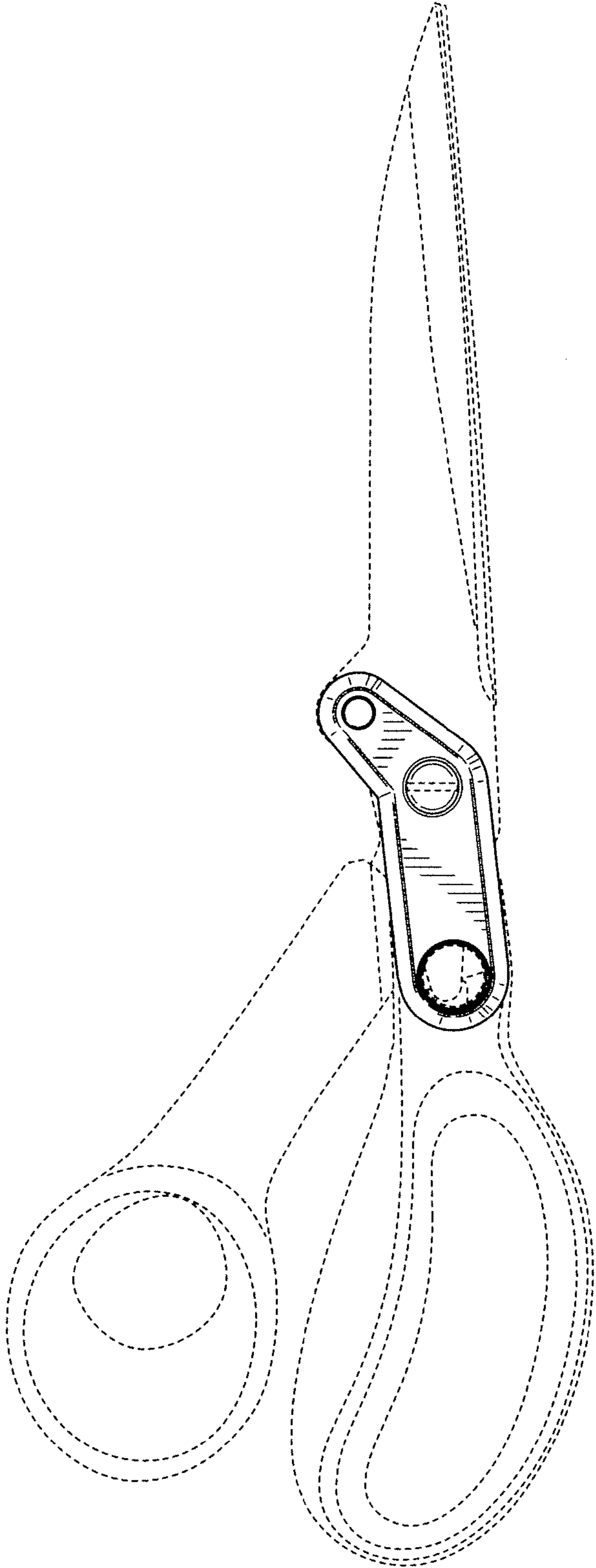


FIG. 2

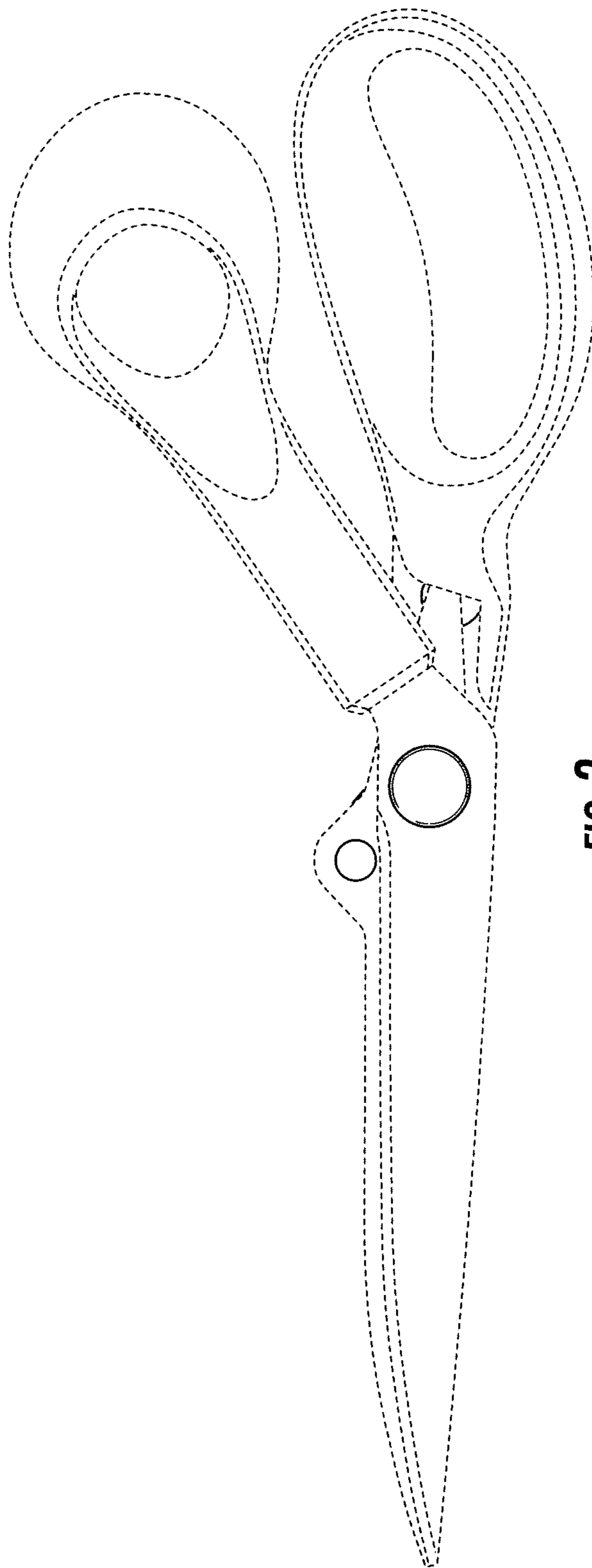


FIG. 3

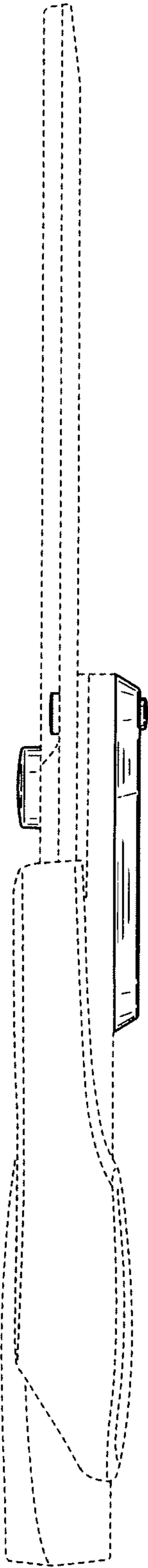


FIG. 4

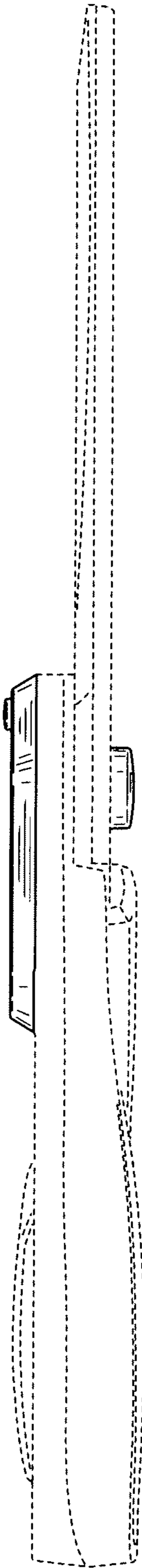
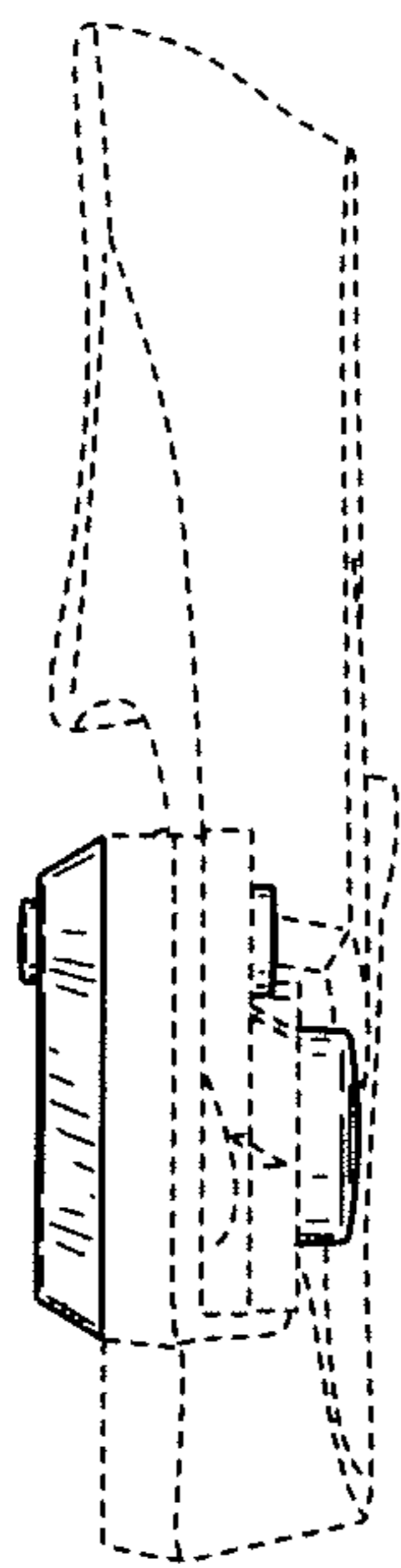
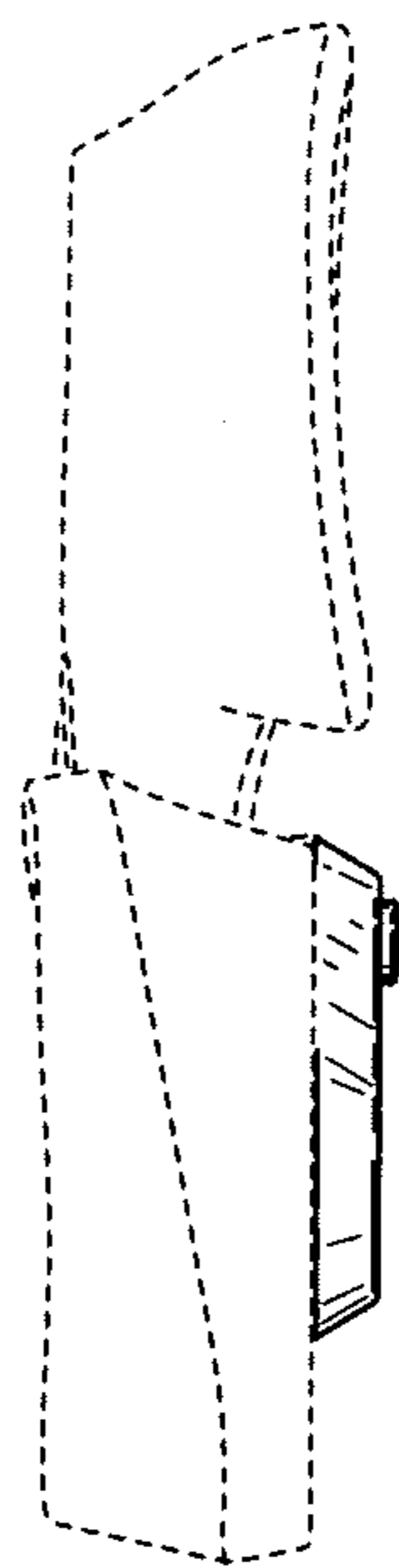


FIG. 5



**FIG. 6**



**FIG. 7**