



US00D700026S

(12) **United States Design Patent**
Ruppert

(10) **Patent No.:** **US D700,026 S**
(45) **Date of Patent:** **** Feb. 25, 2014**

- (54) **WEED CUTTER**
- (71) Applicant: **Jonathan P. Ruppert**, Walton, KY (US)
- (72) Inventor: **Jonathan P. Ruppert**, Walton, KY (US)
- (**) Term: **14 Years**
- (21) Appl. No.: **29/449,026**
- (22) Filed: **Mar. 14, 2013**

3,293,674	A	*	12/1966	Sapia	7/114
D305,494	S	*	1/1990	Jasperson	D8/7
D341,525	S	*	11/1993	Bernhard	D8/1
6,283,223	B1	*	9/2001	Ayers	172/17
6,360,826	B1	*	3/2002	Barber	172/371
D486,363	S	*	2/2004	Atnip et al.	D8/13
D558,005	S	*	12/2007	Filangi	D8/11

* cited by examiner

Primary Examiner — Sheryl Lane

(74) *Attorney, Agent, or Firm* — Wood, Herron & Evans, LLP

Related U.S. Application Data

- (62) Division of application No. 29/419,340, filed on Apr. 27, 2012, now Pat. No. Des. 680,395.
- (51) **LOC (10) Cl.** **08-01**
- (52) **U.S. Cl.**
USPC **D8/7**
- (58) **Field of Classification Search**
USPC D8/1, 5, 6, 7, 13; 172/371, 372, 378, 172/380
See application file for complete search history.

(57) **CLAIM**

The ornamental design for a design for improved weed cutter, as shown and described.

DESCRIPTION

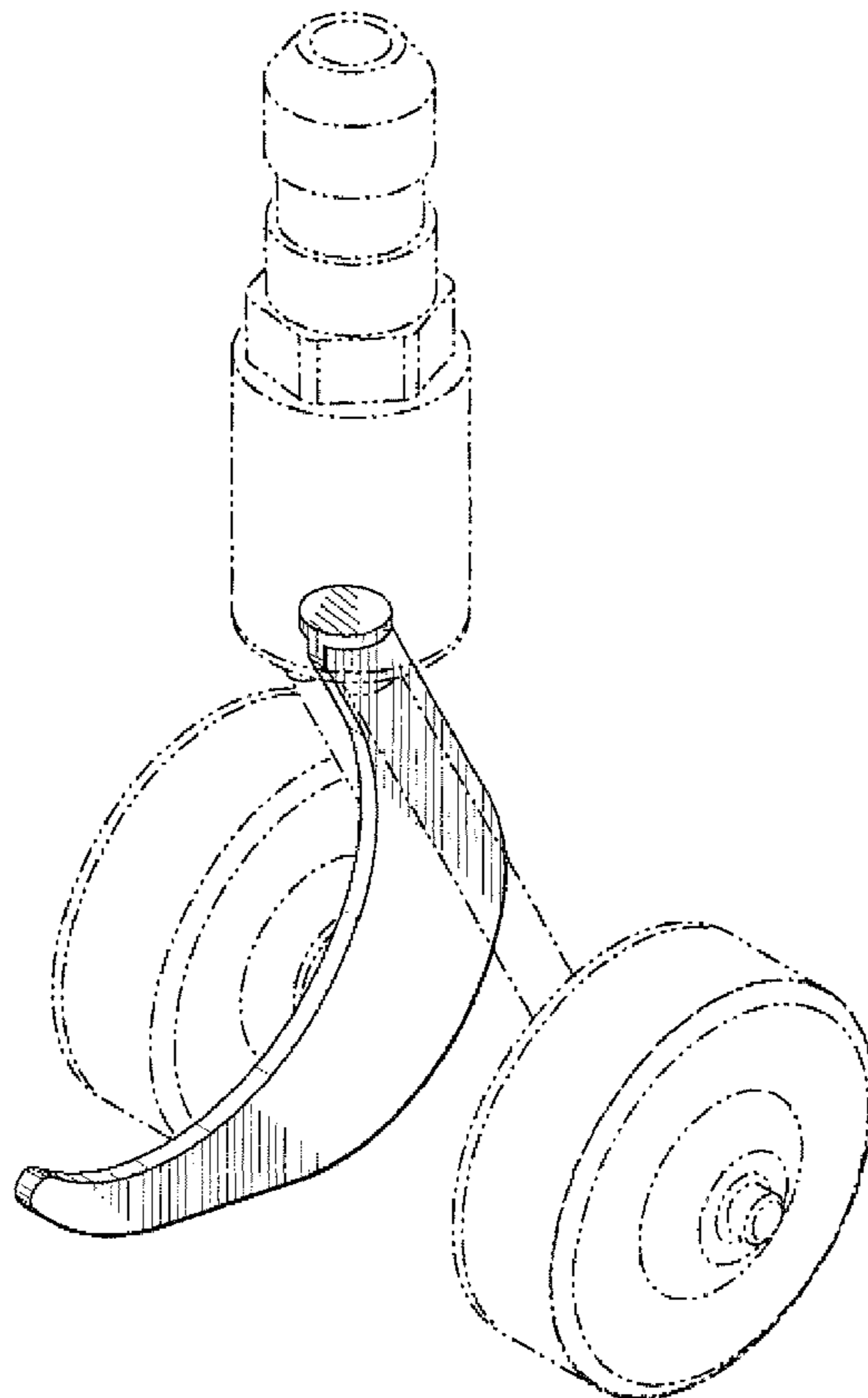
FIG. 1 is an isometric view of the invention; FIG. 2 is a front elevational view of the invention of FIG. 1; FIG. 3 is a side elevational view of the invention of FIGS. 1 and 2, the other side being a mirror image thereof; FIG. 4 is a rear view of the invention of FIGS. 1-3; FIG. 5 is a top view of the invention of FIGS. 1-4; and, FIG. 6 is a bottom view of the invention of FIGS. 1-5. The broken lines represent environment and form no part of the claimed design.

(56) **References Cited**

U.S. PATENT DOCUMENTS

D26,333	S	*	11/1896	Sanders	D8/7
D35,720	S	*	2/1902	David et al.	D8/12
3,232,355	A	*	2/1966	Woolworth	172/378

1 Claim, 5 Drawing Sheets



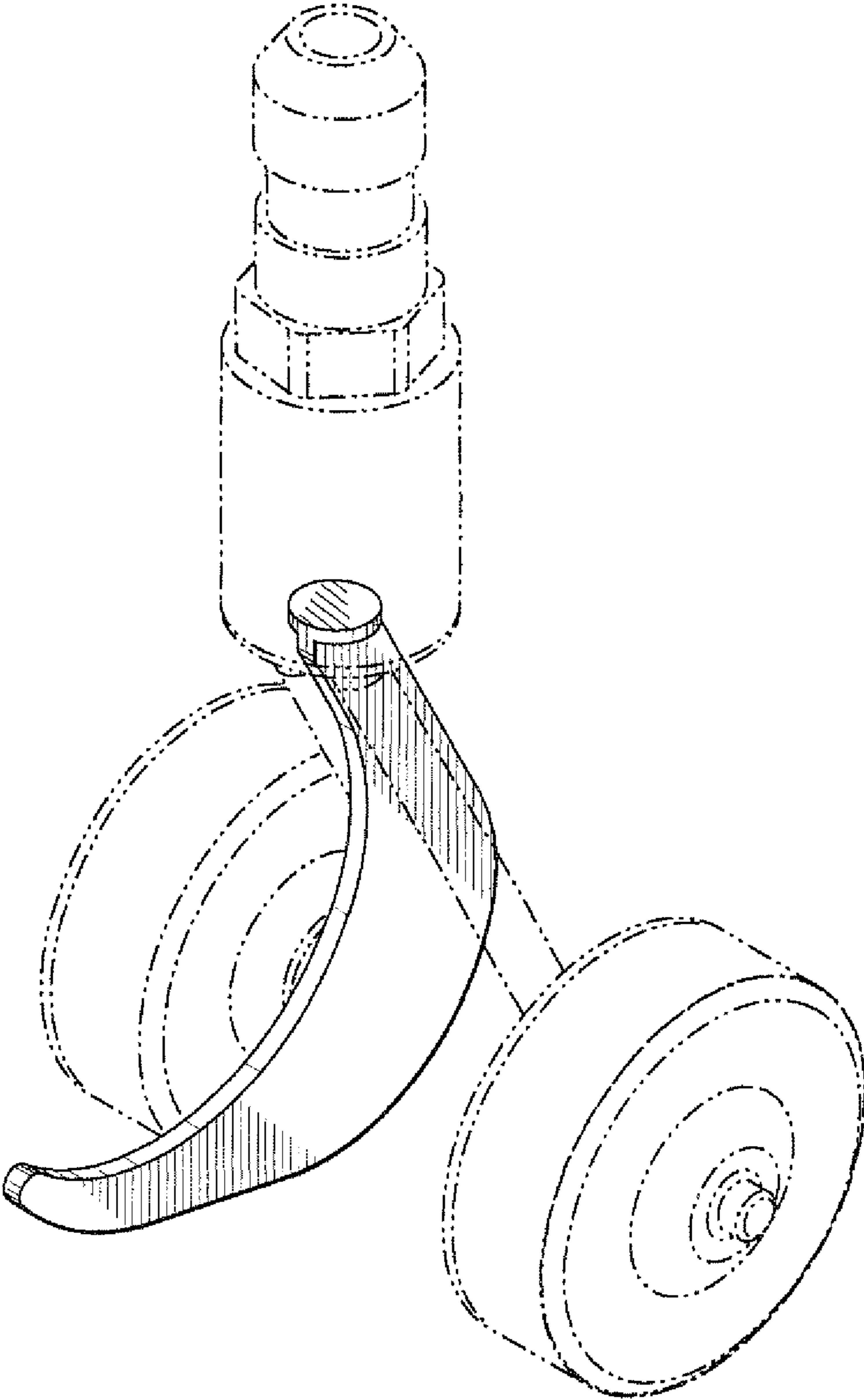


FIG. 1

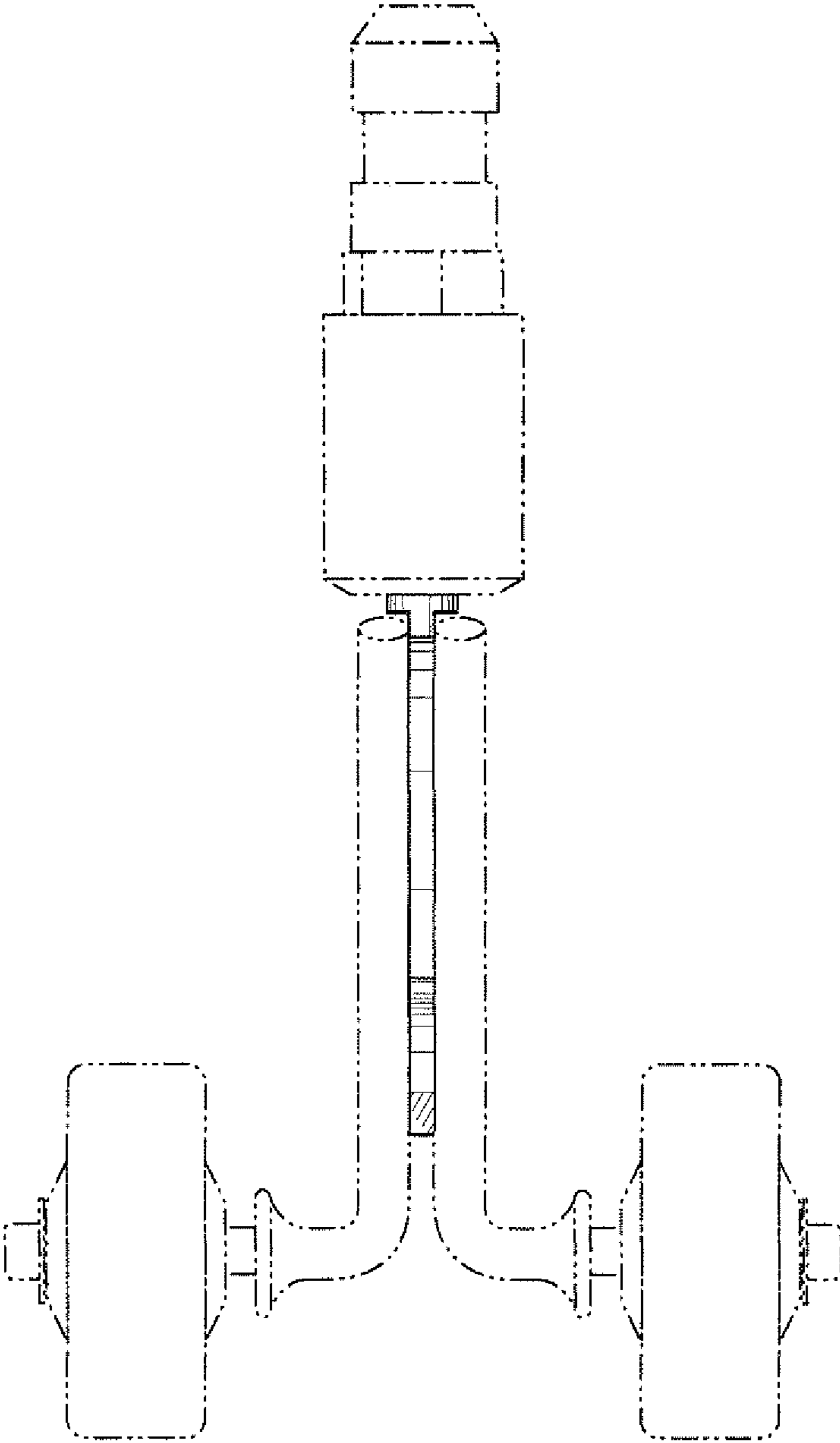


FIG. 2

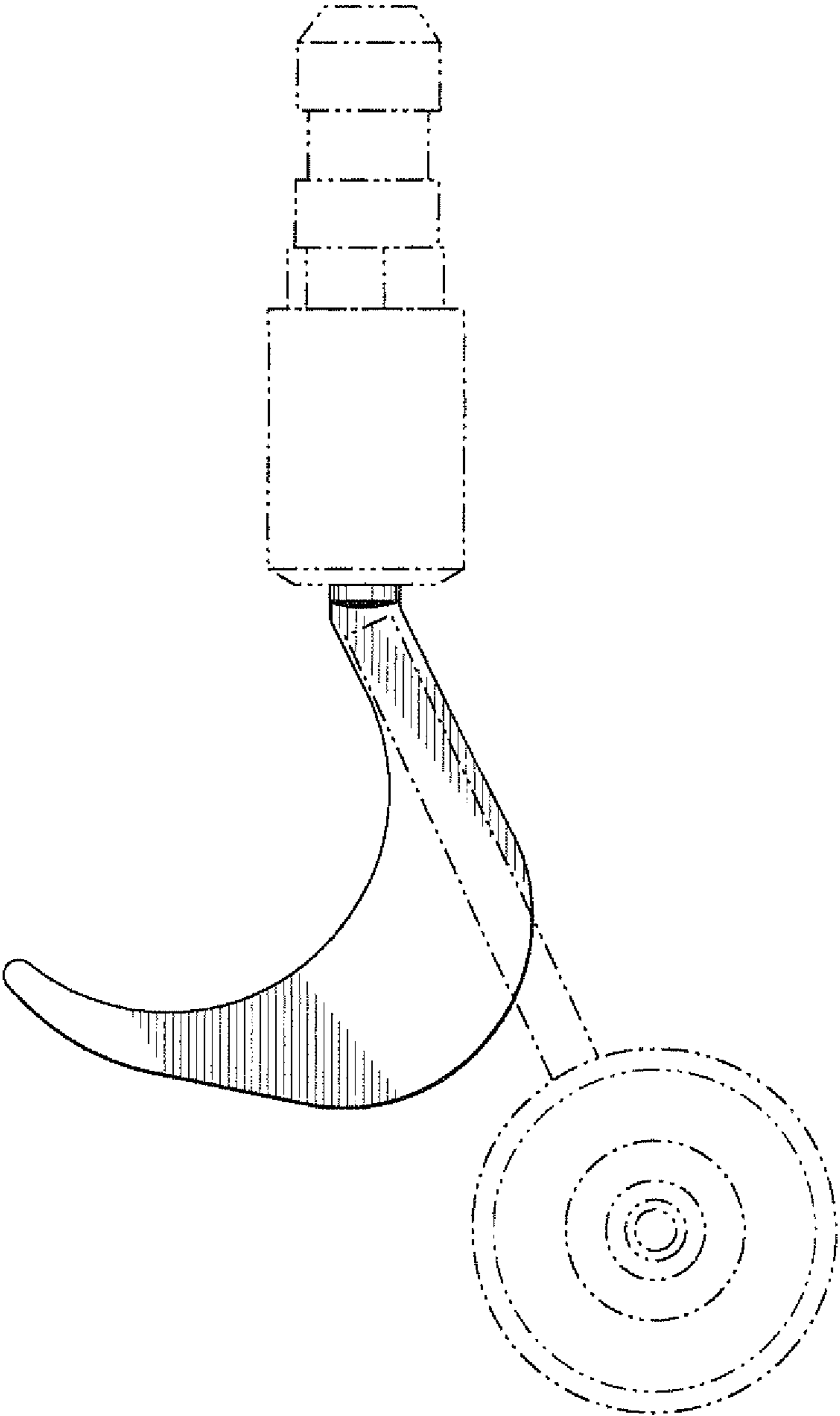


FIG. 3

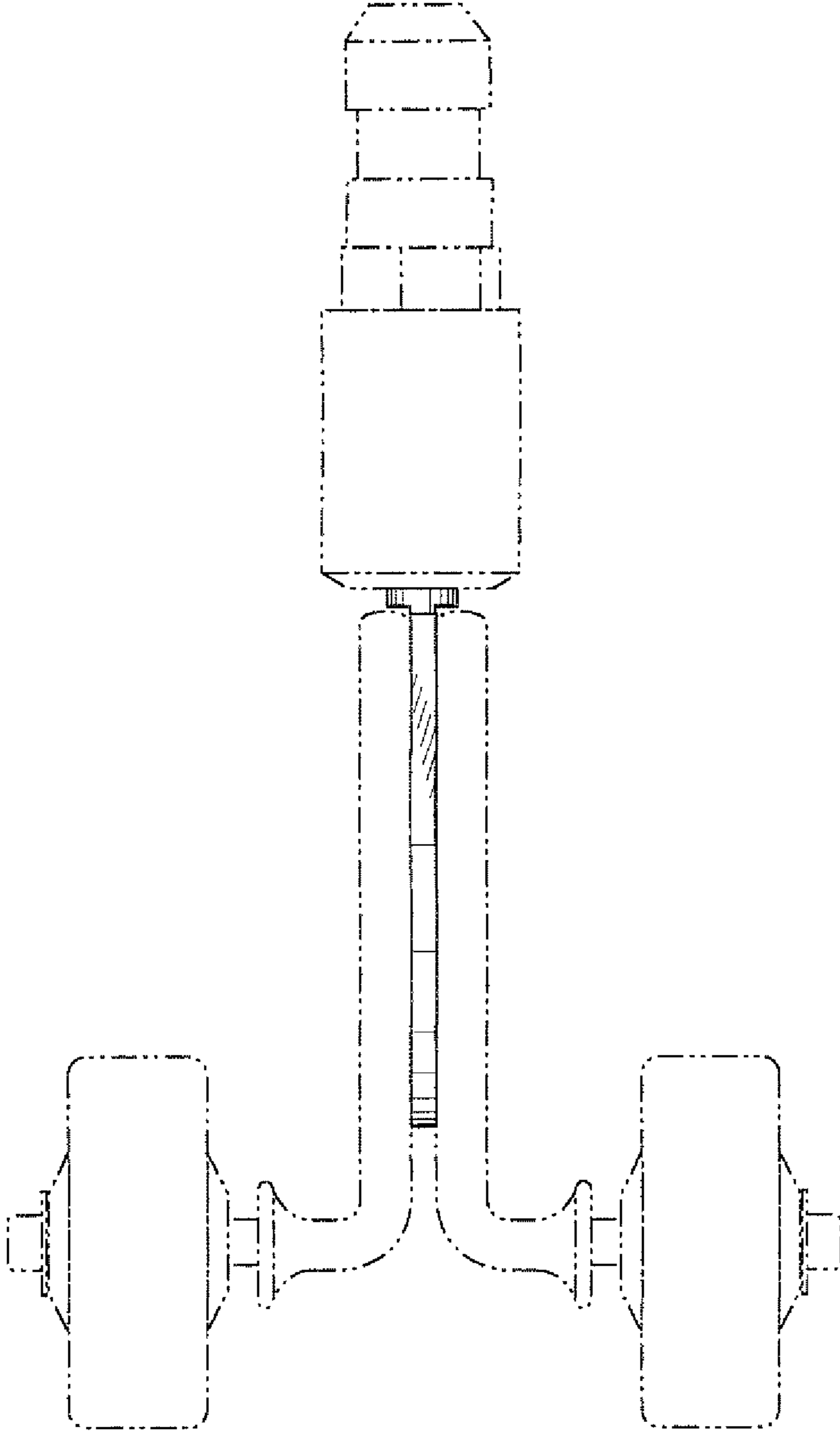


FIG. 4

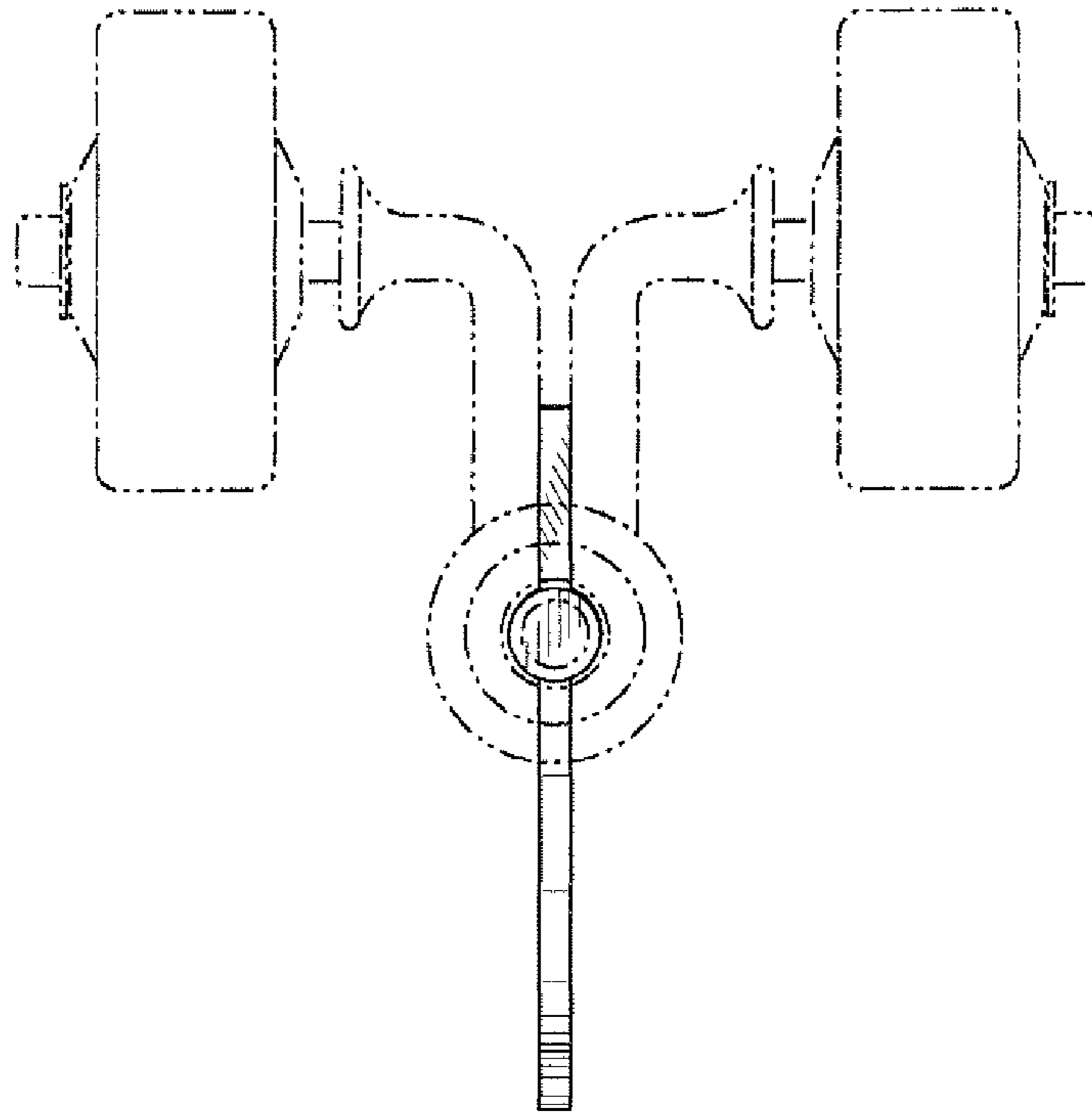


FIG. 5

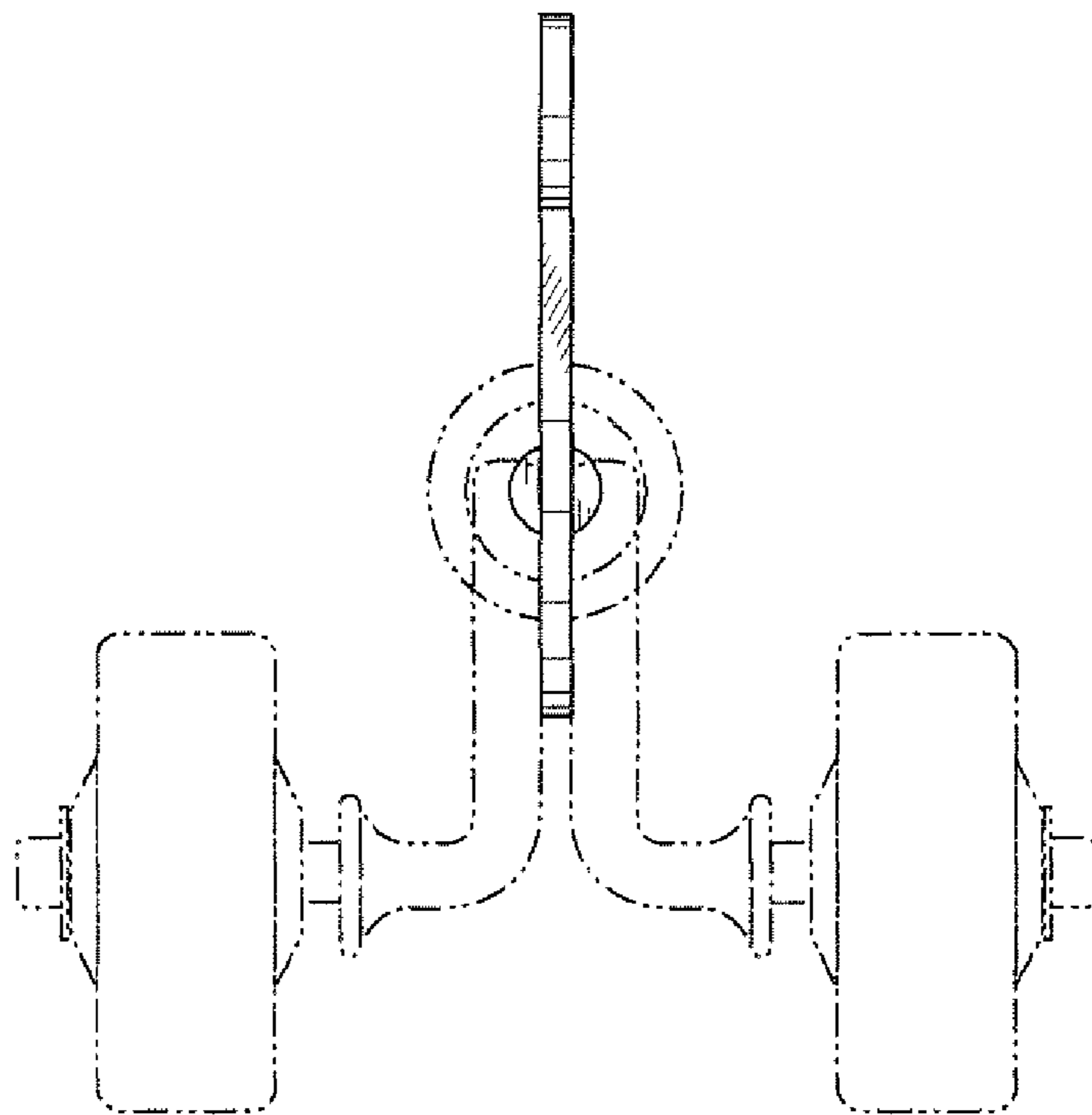


FIG. 6