



US00D700024S

(12) **United States Design Patent**
Murison

(10) **Patent No.:** **US D700,024 S**
(45) **Date of Patent:** **** Feb. 25, 2014**

(54) **CHOPPING BOARD**

(71) Applicant: **Country Kitchenware Supplies Limited**, Worcestershire (GB)

(72) Inventor: **Ian Murison**, London (GB)

(73) Assignee: **Country Kitchenware Supplies Limited** (GB)

(**) Term: **14 Years**

(21) Appl. No.: **29/455,953**

(22) Filed: **May 28, 2013**

(30) **Foreign Application Priority Data**

Dec. 21, 2012 (EM) 002158675

(51) **LOC (10) Cl.** **07-04**

(52) **U.S. Cl.**
USPC **D7/698**

(58) **Field of Classification Search**

USPC D6/686; D7/354, 357-360, 368, 388, D7/392.1, 396.1, 409, 412, 505, 546-549, D7/550.1, 552.1-552.2, 553.1-553.6, D7/553.8, 554.2-554.4, 555, 586, 637, D7/673, 698-699; D8/14, 71; D9/761; D14/436; D23/308; 99/324, 357, 99/446-450; 211/74; 269/13-16, 87.2, 269/289 R, 302.1, 575

See application file for complete search history.

(56) **References Cited**

U.S. PATENT DOCUMENTS

D81,894 S * 8/1930 Shinn D7/699
2,796,902 A * 6/1957 Mercury 269/13
D213,093 S * 1/1969 Thomas D9/761
3,498,470 A * 3/1970 Thomas 211/74
D258,036 S * 1/1981 Sabin D7/698

D264,531 S * 5/1982 Trode D6/398
D301,820 S * 6/1989 Wasserman D7/553.5
D308,461 S * 6/1990 Hosea D7/549
D339,507 S * 9/1993 Ancona et al. D7/698
D359,664 S * 6/1995 Alley D7/698
D374,798 S * 10/1996 Pippins, Jr. D7/553.4
D387,623 S * 12/1997 Brooks D7/553.8
D461,477 S * 8/2002 Pentz D14/436
D462,965 S * 9/2002 Pentz D14/436
D467,247 S * 12/2002 Pentz D14/436
6,932,336 B1 * 8/2005 Nudo 269/302.1
D519,016 S * 4/2006 Nudo D8/71
D543,423 S * 5/2007 Benson D7/698
D551,040 S * 9/2007 Weeks D8/14
D587,539 S * 3/2009 Almeda et al. D7/698
D624,921 S * 10/2010 Hart et al. D14/436

(Continued)

Primary Examiner — Ricky Pham

(74) *Attorney, Agent, or Firm* — Blank Rome LLP

(57) **CLAIM**

The ornamental design for a chopping board, as shown and described.

DESCRIPTION

FIG. 1 is a side view of a chopping board of the present design;

FIG. 2 is a front view of the chopping board of FIG. 1;

FIG. 3 is a top view of the chopping board of FIG. 1;

FIG. 4 is a front view of the FIG. 5 view of the chopping board of FIG. 1;

FIG. 5 is a bottom view of the chopping board of FIG. 1;

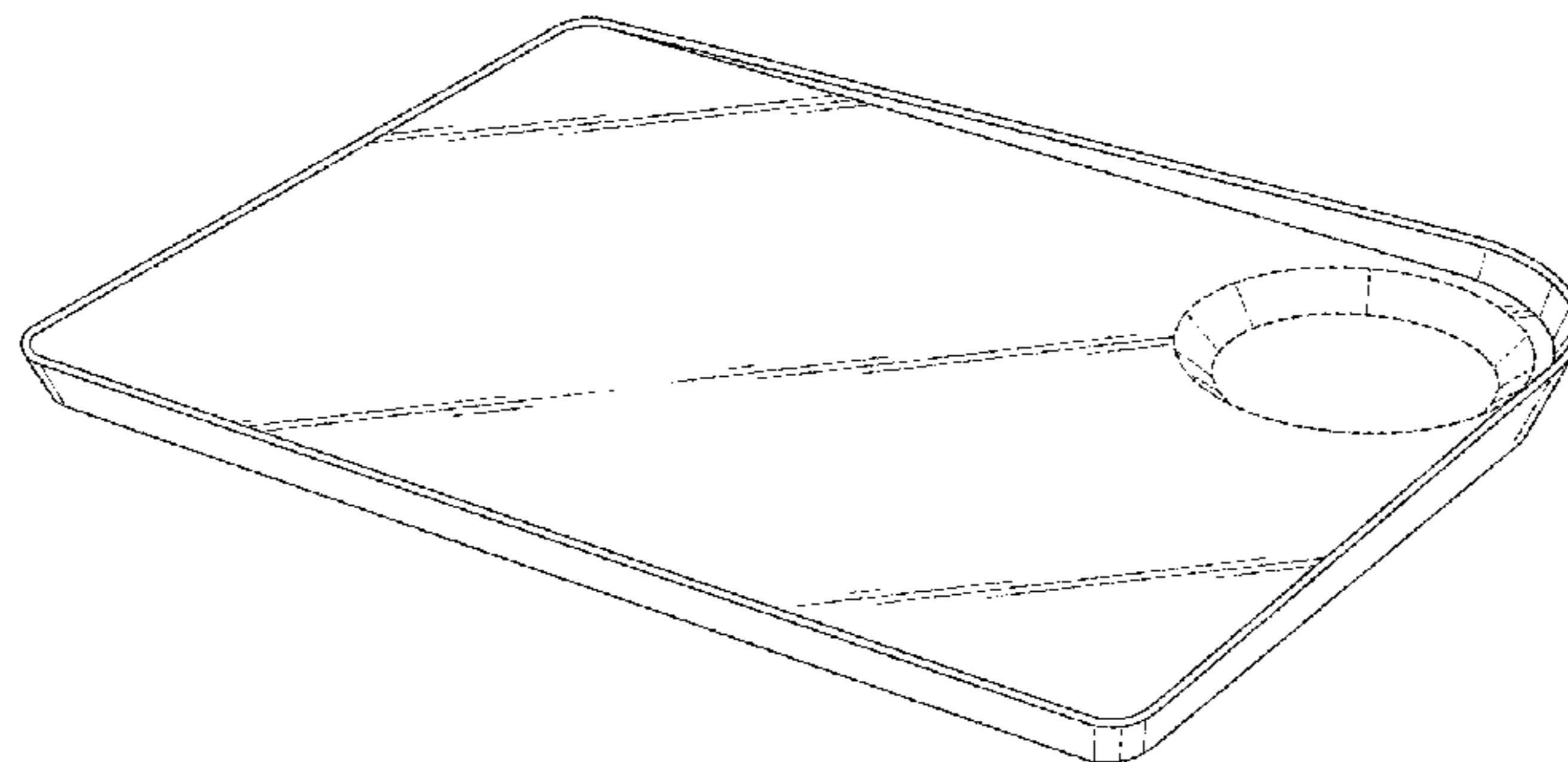
FIG. 6 is a top, front perspective view of the chopping board of FIG. 1; and,

FIG. 7 is top, back perspective view from of the chopping board of FIG. 1.

The shading in the figures show contour, not surface ornamentation, and form no part of the claimed design.

The dashed lines shown in the figures are for illustration only and form no part of the claimed design.

1 Claim, 7 Drawing Sheets



US D700,024 S

Page 2

(56)

References Cited

U.S. PATENT DOCUMENTS

D631,952 S *	2/2011	Marcoff	D23/308	
D664,405 S *	7/2012	Chen	D7/698	* cited by examiner
D684,438 S *	6/2013	Joseph	D7/698	
2009/0194925 A1 *	8/2009	Rolf	269/302.1	
2011/0169208 A1 *	7/2011	Almeda et al.	269/289 R	

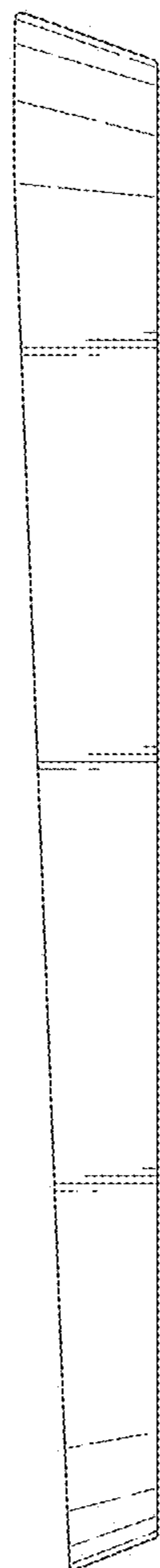


Fig. 1

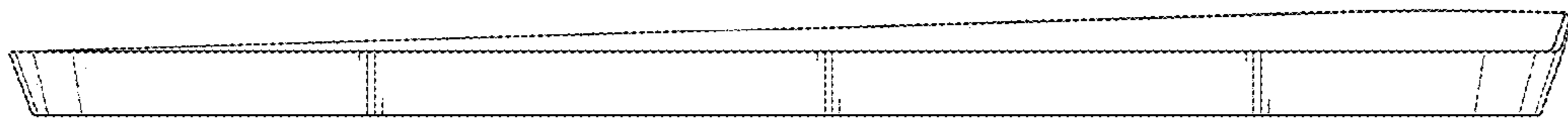


Fig. 2

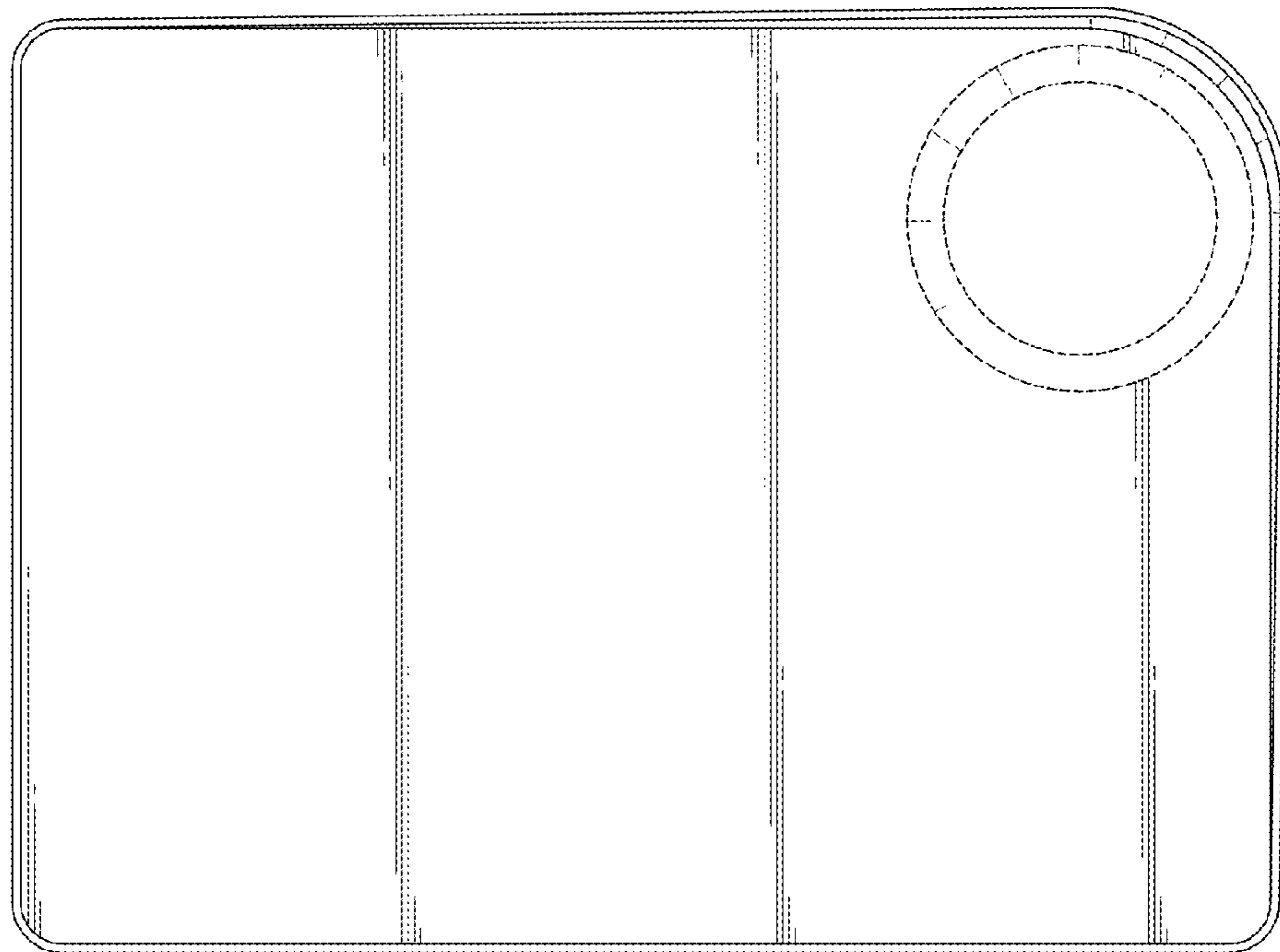


Fig. 3

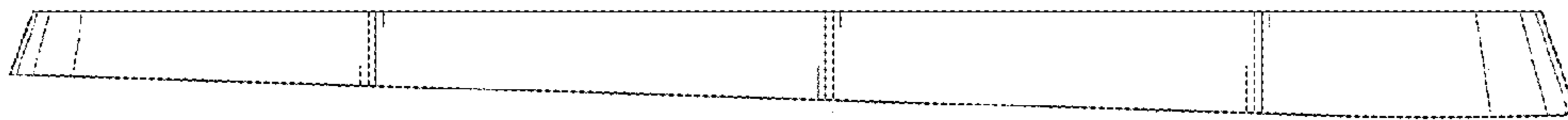


Fig. 4

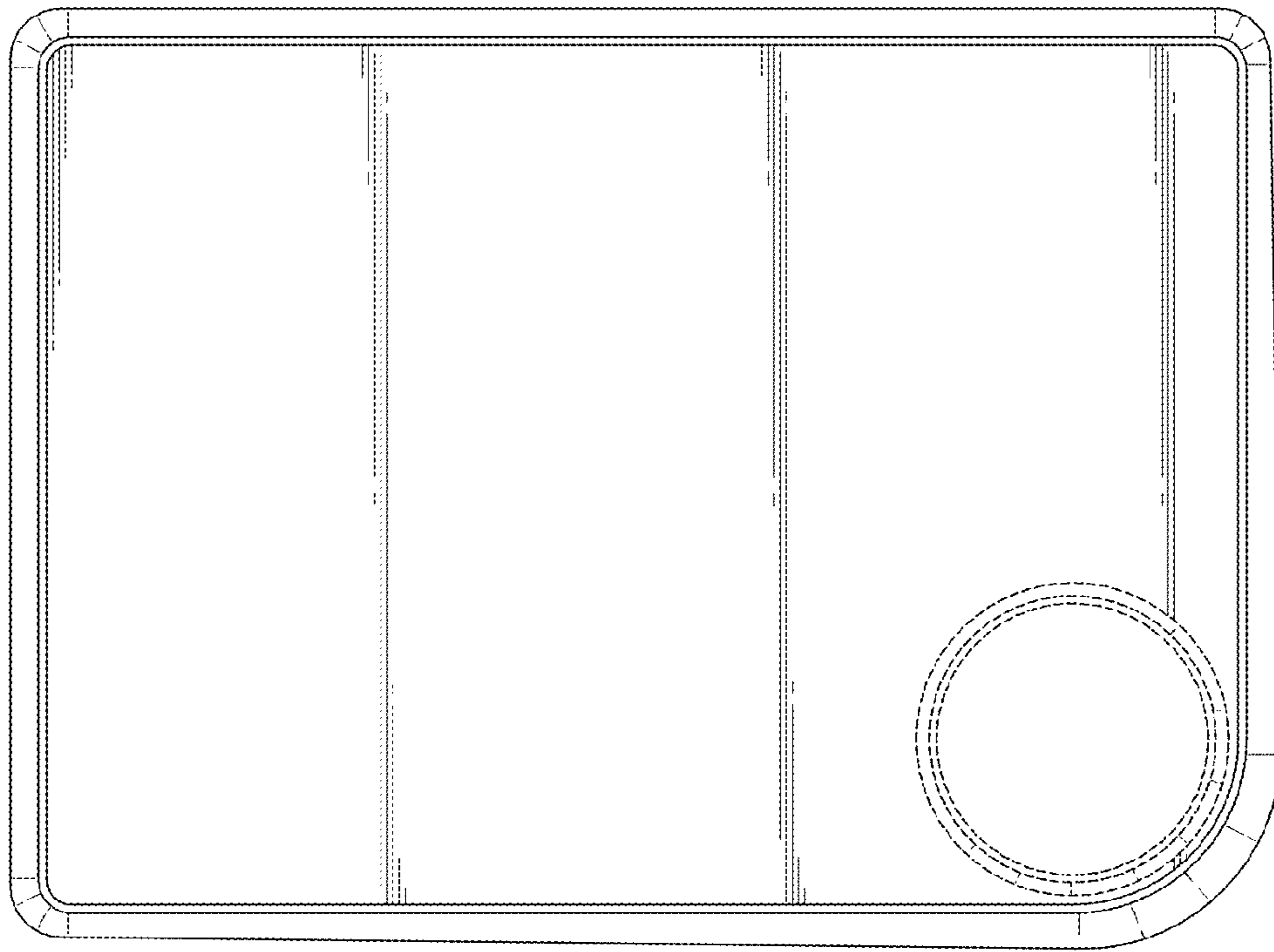


Fig. 5

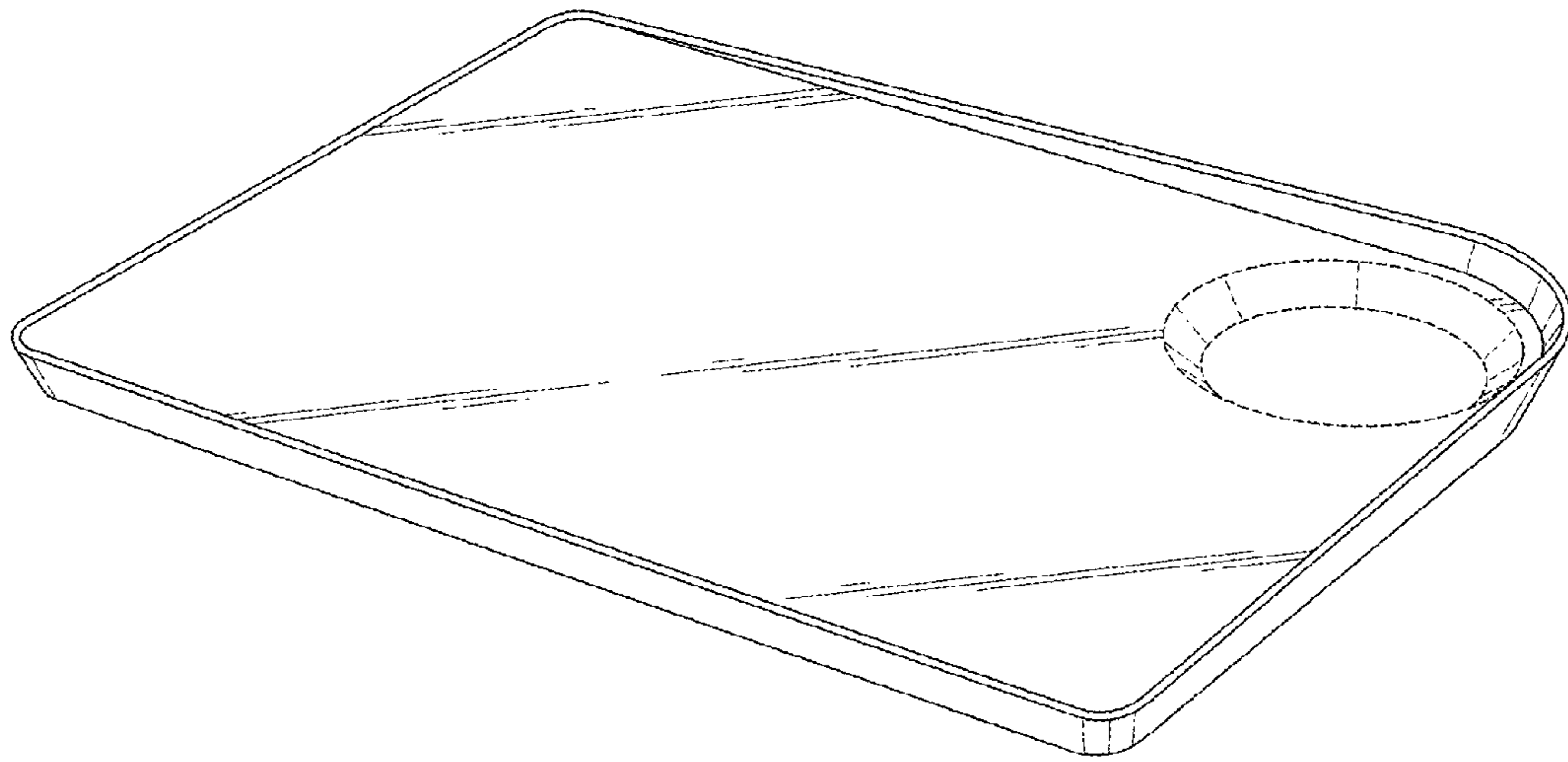


Fig. 6

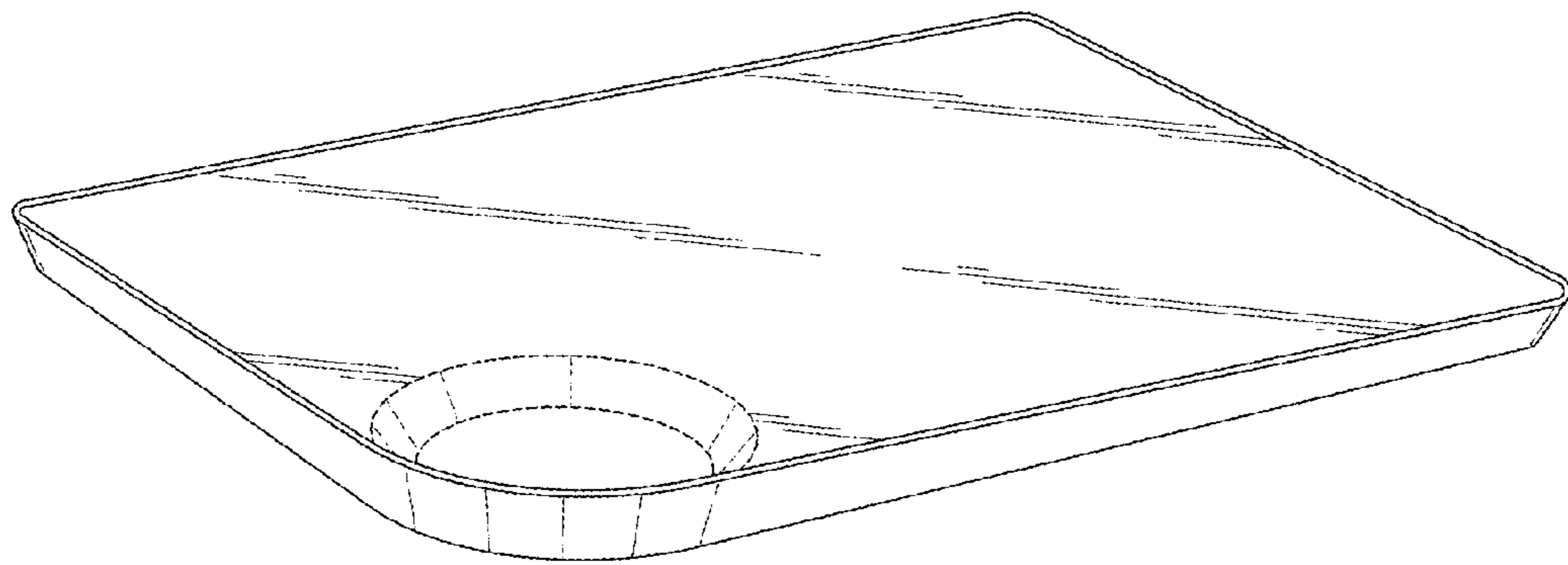


Fig. 7