



US00D700023S

(12) **United States Design Patent**
Murison

(10) **Patent No.:** **US D700,023 S**
(45) **Date of Patent:** **** Feb. 25, 2014**

(54) **CHOPPING BOARD**

(71) Applicant: **Country Kitchenware Supplies Limited**, Worcestershire (GB)

(72) Inventor: **Ian Murison**, London (GB)

(73) Assignee: **Country Kitchenware Supplies Limited** (GB)

(**) Term: **14 Years**

(21) Appl. No.: **29/455,947**

(22) Filed: **May 28, 2013**

(30) **Foreign Application Priority Data**

Dec. 21, 2012 (EM) 002158675

(51) **LOC (10) Cl.** **07-04**

(52) **U.S. Cl.**
USPC **D7/698**

(58) **Field of Classification Search**
USPC D7/354, 357-360, 368, 388, 392.1,
D7/396.1, 409, 412, 505, 546-549, 550.1,
D7/552.1-552.2, 553.1-553.6, 553.8,
D7/554.2-554.4, 555, 586, 629, 637, 667,
D7/673, 698-699; D10/46.3; 73/429;
99/324, 357, 422, 446-450;
269/13-16, 87.2, 289 R, 302.1, 575

See application file for complete search history.

(56) **References Cited**

U.S. PATENT DOCUMENTS

D183,947 S *	11/1958	Quistgaard	D7/673
D255,530 S *	6/1980	Daenen et al.	D10/46.3
D304,276 S *	10/1989	Wolff et al.	D7/698
D304,277 S *	10/1989	Wolff et al.	D7/698
D353,080 S *	12/1994	Cantereels et al.	D7/667
D379,574 S *	6/1997	Jeppesen et al.	D7/698
D550,044 S *	9/2007	Curtin et al.	D7/629
D588,879 S *	3/2009	Brett	D7/698
7,637,154 B1 *	12/2009	Robbins	73/429
D608,165 S *	1/2010	Davies et al.	D7/698

* cited by examiner

Primary Examiner — Ricky Pham

(74) *Attorney, Agent, or Firm* — Blank Rome LLP

(57) **CLAIM**

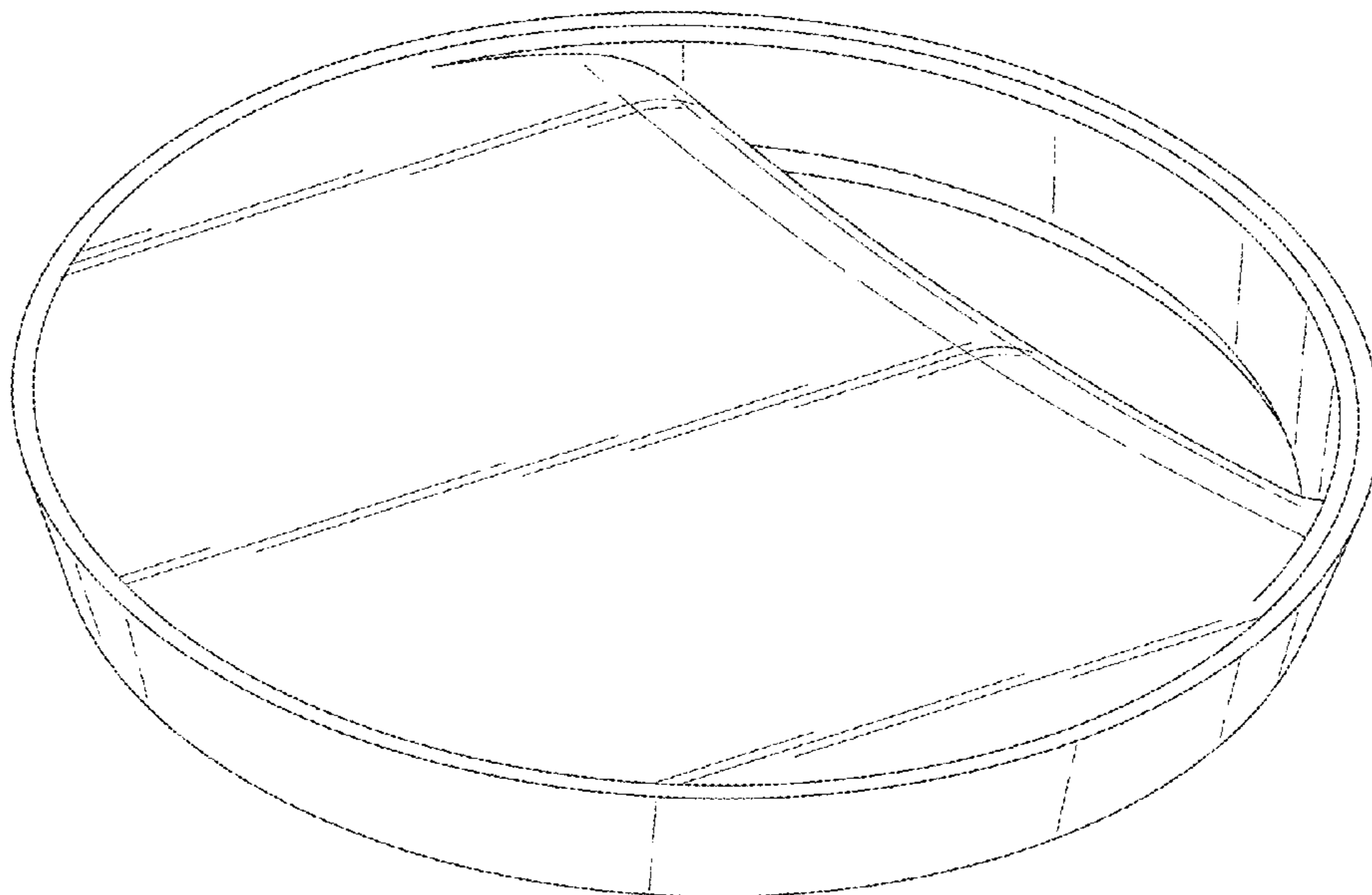
The ornamental design for a chopping board, as shown and described.

DESCRIPTION

FIG. 1 is a top view of a chopping board of the present design with handle thereon;
FIG. 2 is a top view of the chopping board of FIG. 1 without the handle thereon;
FIG. 3 is a side view of the chopping board of FIG. 1;
FIG. 4 is a side view of the handle of FIG. 1;
FIG. 5 is a bottom view of the handle of FIG. 1;
FIG. 6 is a top perspective view of the chopping board of FIG. 1 with handle thereon; and,
FIG. 7 is a bottom perspective view of the chopping board of FIG. 1.

The shading in the figures show contour, not surface ornamentation, and form no part of the claimed design.

1 Claim, 7 Drawing Sheets



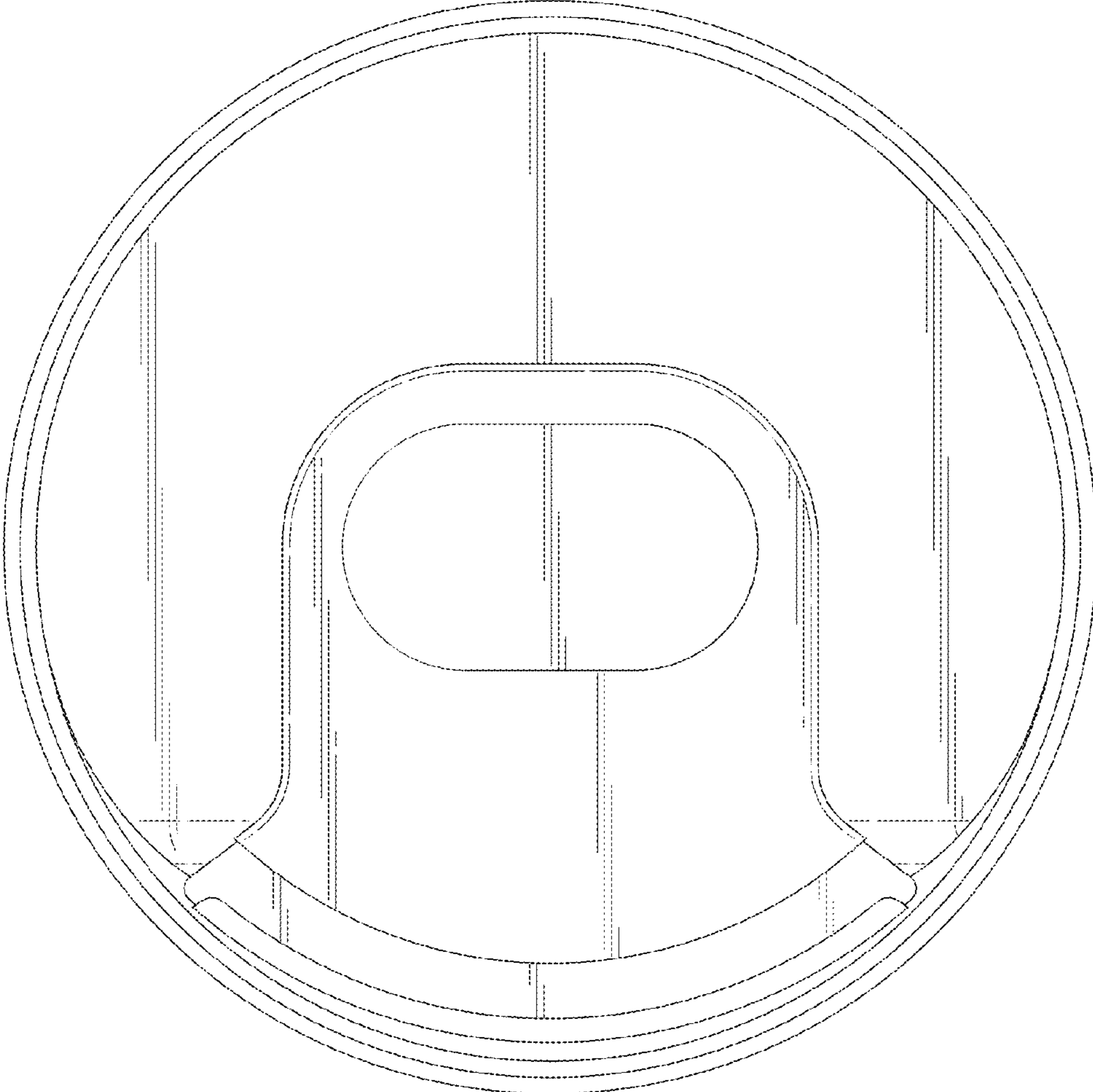


Fig. 1

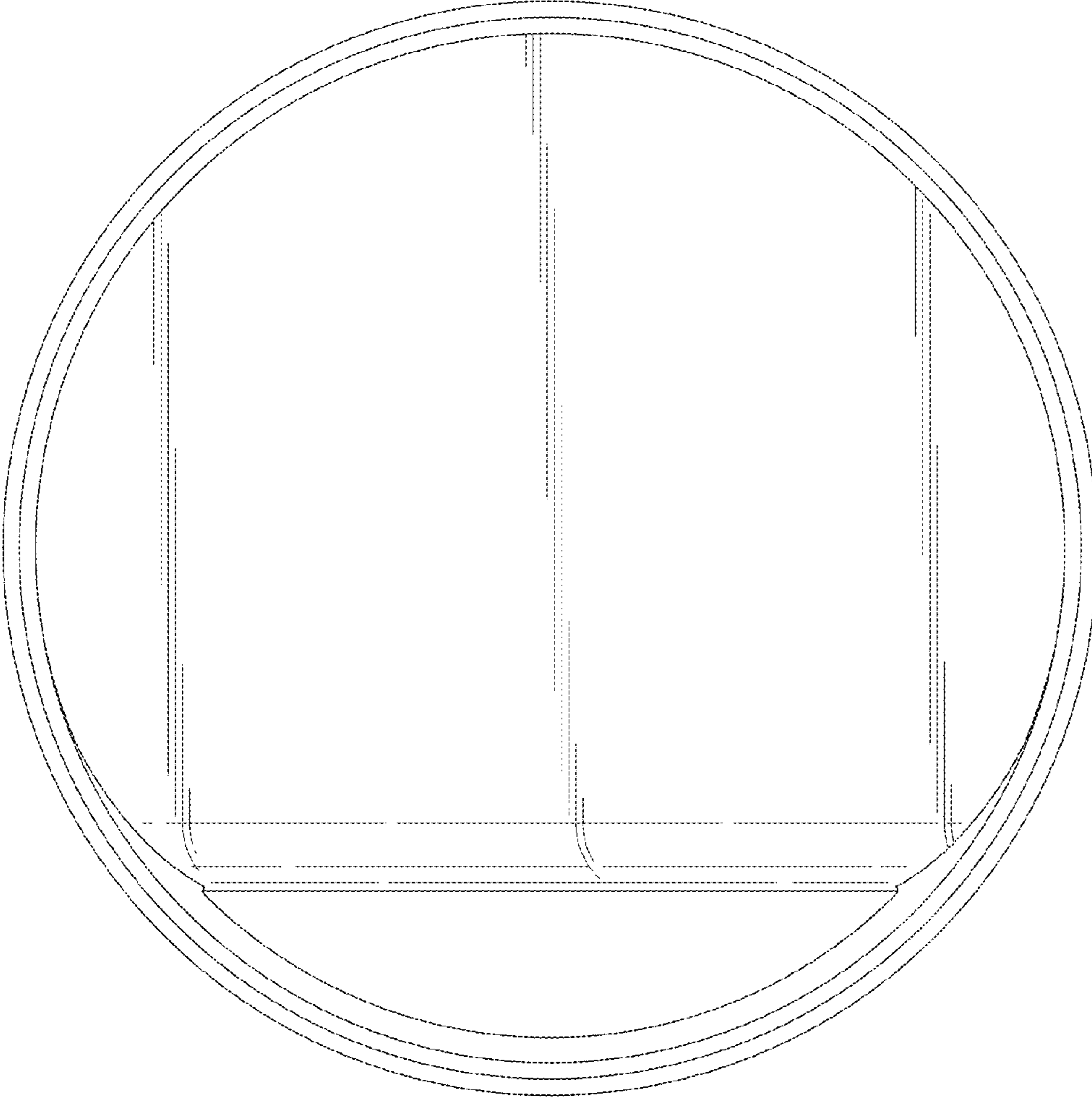


Fig. 2

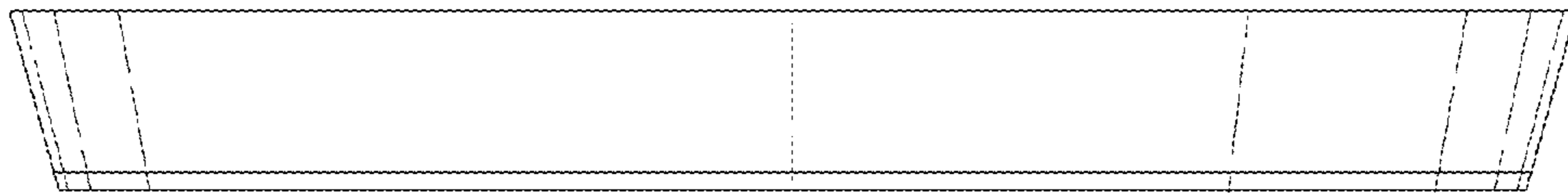


Fig. 3

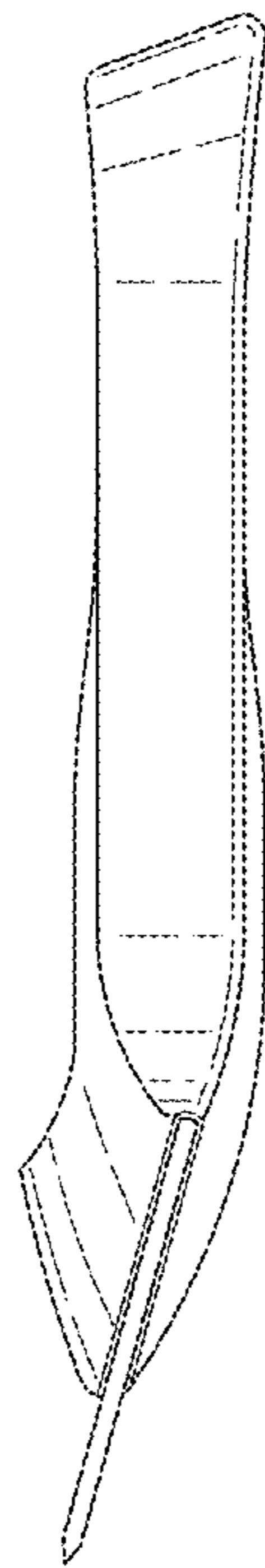


Fig. 4

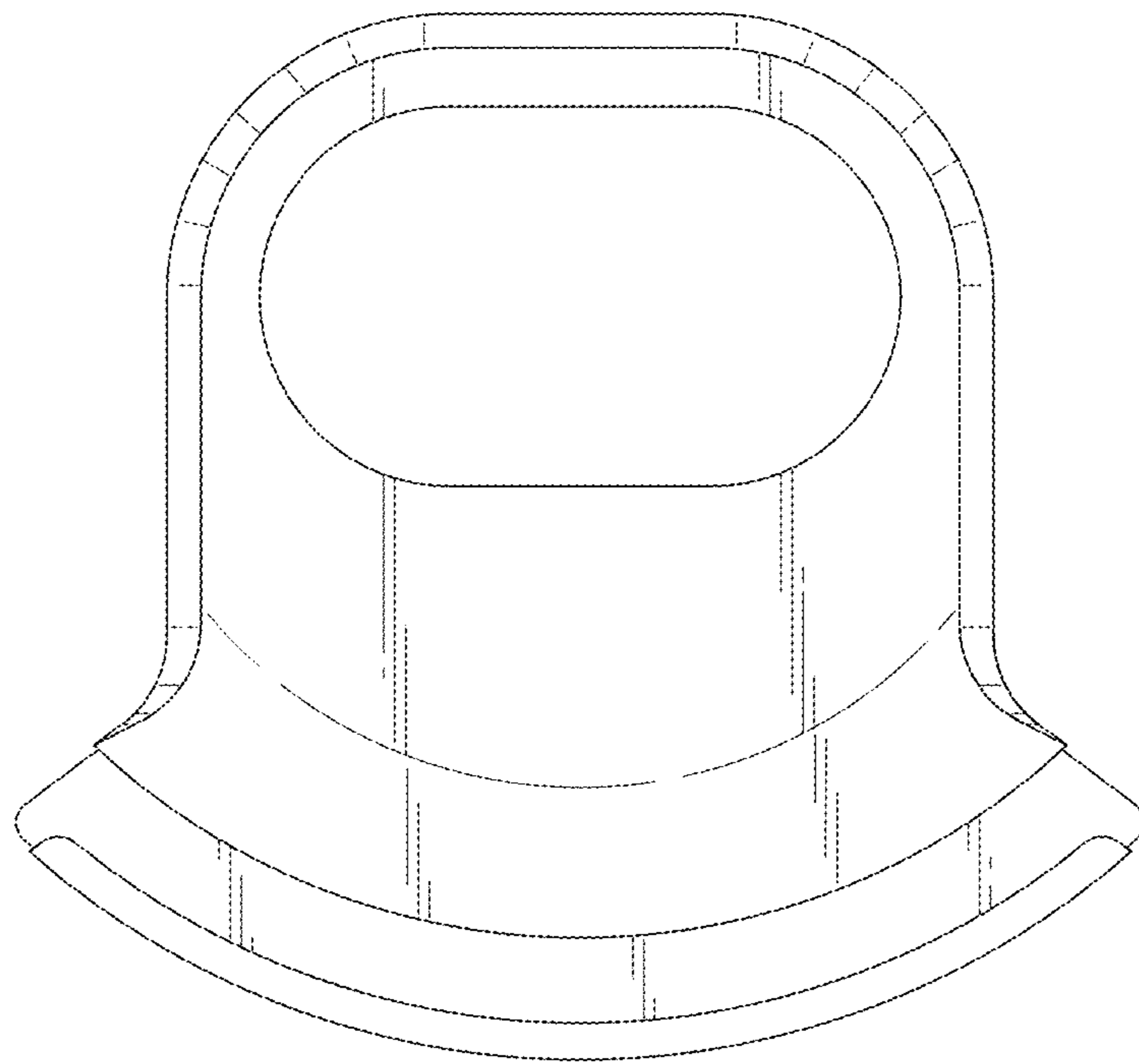


Fig. 5

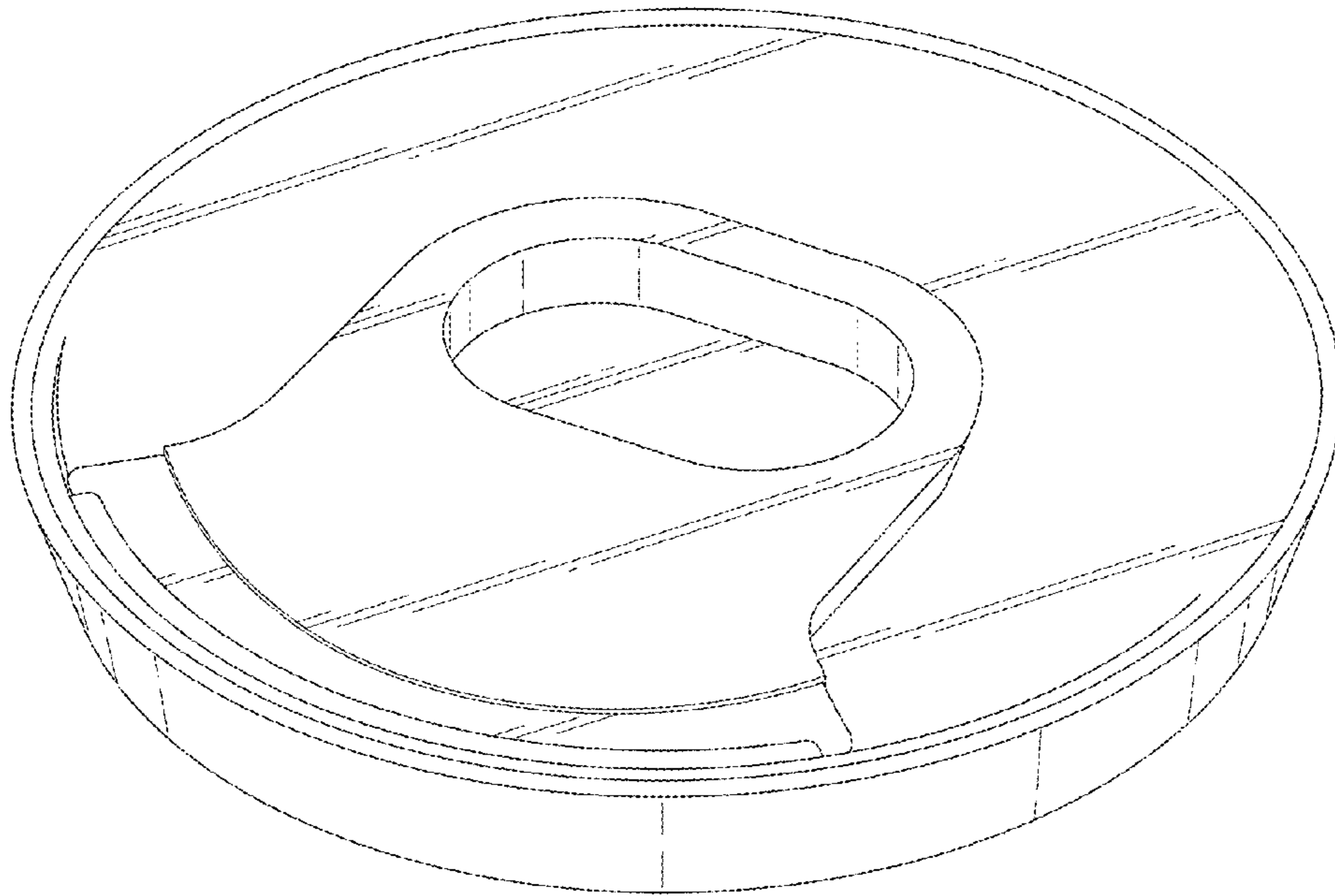


Fig. 6

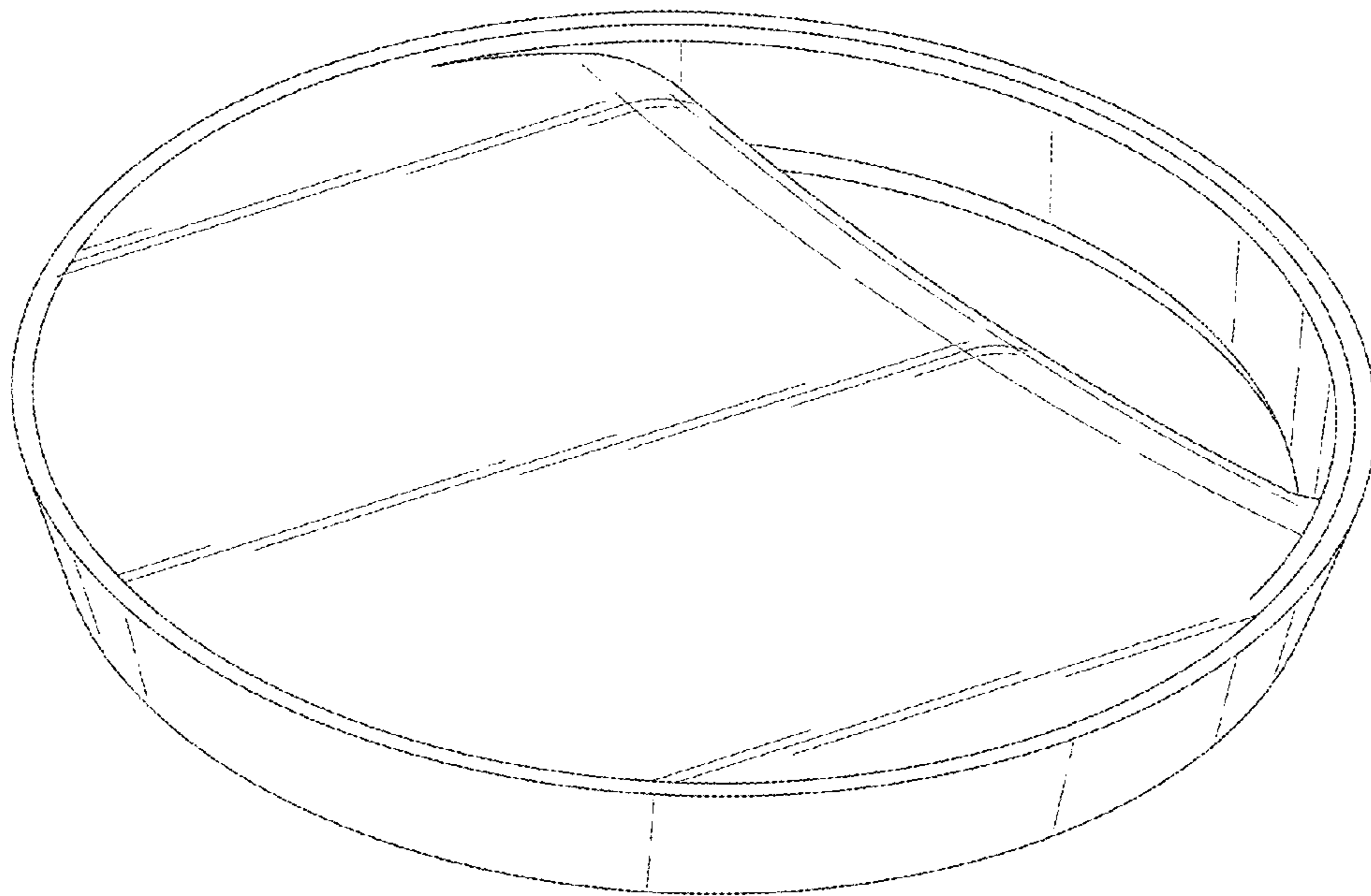


Fig. 7