



US00D700014S

(12) **United States Design Patent**  
**Zeanah**

(10) **Patent No.:** **US D700,014 S**

(45) **Date of Patent:** **\*\* Feb. 25, 2014**

(54) **WATER BOTTLE AND FILTER ASSEMBLY**

(71) Applicant: **American Accessories International, L.L.C.**, Knoxville, TN (US)

(72) Inventor: **Eric Zeanah**, Knoxville, TN (US)

(73) Assignee: **American Accessories International LLC**, Knoxville, TN (US)

(\*\*) Term: **14 Years**

(21) Appl. No.: **29/443,091**

(22) Filed: **Jan. 13, 2013**

(51) **LOC (10) Cl.** ..... **07-01**

(52) **U.S. Cl.**  
USPC ..... **D7/510; D7/511**

(58) **Field of Classification Search**  
USPC ..... D7/510, 511, 509, 523, 608, 316, 317,  
D7/300.1, 376, 378, 412; 366/130, 247;  
220/703, 592.16, 592.17, 739; 99/287;  
D23/209, 207; 210/205

See application file for complete search history.

(56) **References Cited**

**U.S. PATENT DOCUMENTS**

D181,143	S *	10/1957	Gundelfinger	.....	D7/376
5,461,968	A *	10/1995	Portman	.....	99/287
5,590,542	A *	1/1997	Wang	.....	62/457.3
D514,883	S *	2/2006	Tardif et al.	.....	D7/412
D547,607	S *	7/2007	Forsman	.....	D7/396.2
D592,913	S *	5/2009	Pinelli et al.	.....	D30/118
7,533,783	B2 *	5/2009	Choi et al.	.....	220/714
D620,756	S *	8/2010	Lown et al.	.....	D7/510
D634,161	S *	3/2011	Roth et al.	.....	D7/510
7,896,180	B2 *	3/2011	Kenney	.....	215/6
D640,093	S *	6/2011	Picozza et al.	.....	D7/413
D652,256	S *	1/2012	Eyal	.....	D7/510
D655,967	S *	3/2012	Bodum	.....	D7/300.1
8,191,727	B2 *	6/2012	Davies et al.	.....	220/707

8,313,644	B2 *	11/2012	Harris et al.	.....	210/198.1
D674,242	S *	1/2013	Eyal	.....	D7/510
D682,034	S *	5/2013	El-Saden et al.	.....	D7/510
8,469,226	B2 *	6/2013	Davies et al.	.....	220/707

\* cited by examiner

*Primary Examiner* — Marianne Pandozzi

(74) *Attorney, Agent, or Firm* — Ryan A. Schneider, Esq.; Troutman Sanders LLP

(57) **CLAIM**

The ornamental designs for a water bottle and filter assembly, as shown and described.

**DESCRIPTION**

FIG. 1 is a top perspective view of a water bottle and filter assembly of the present invention, with the nozzle in a closed position;

FIG. 2 is a bottom perspective view of the filter assembly of FIG. 1;

FIG. 3 is a top perspective view of the filter assembly of FIG. 2, with the nozzle in an open position;

FIG. 4 is a front view of the water bottle and filter assembly of FIG. 1, with the nozzle in the closed position;

FIG. 5 is a back view of the water bottle and filter assembly of FIG. 1, with the nozzle in the closed position;

FIG. 6 is a right side view of the water bottle and filter assembly of FIG. 1, with the nozzle in the open position;

FIG. 7 is a left side view of the water bottle and filter assembly of FIG. 1, with the nozzle in the closed position;

FIG. 8 is a top view of the water bottle and filter assembly of FIG. 1, with the nozzle in the closed position;

FIG. 9 is a top view of the water bottle and filter assembly of FIG. 1, with the nozzle in the open position; and,

FIG. 10 is a bottom view of the water bottle and filter assembly of FIG. 1.

**1 Claim, 4 Drawing Sheets**

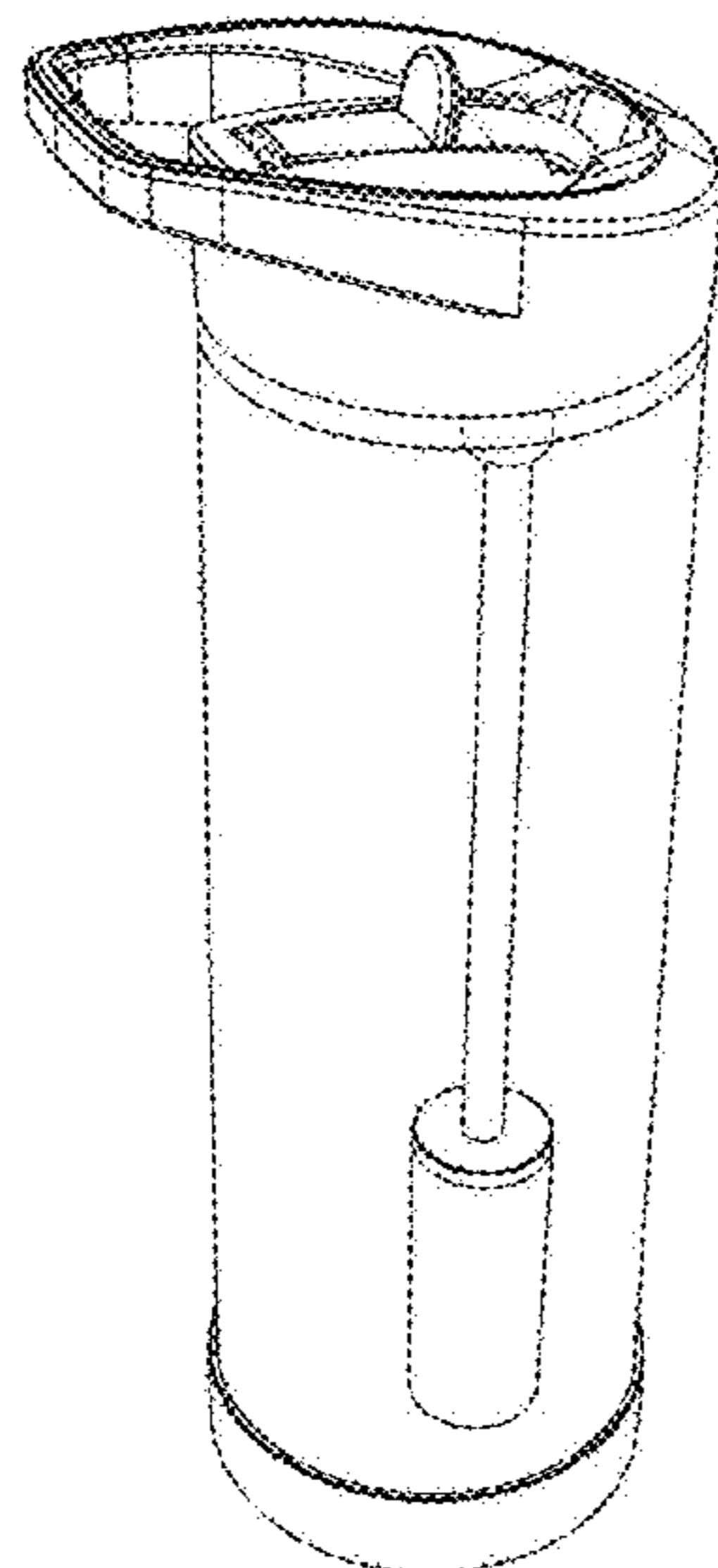


FIG. 1

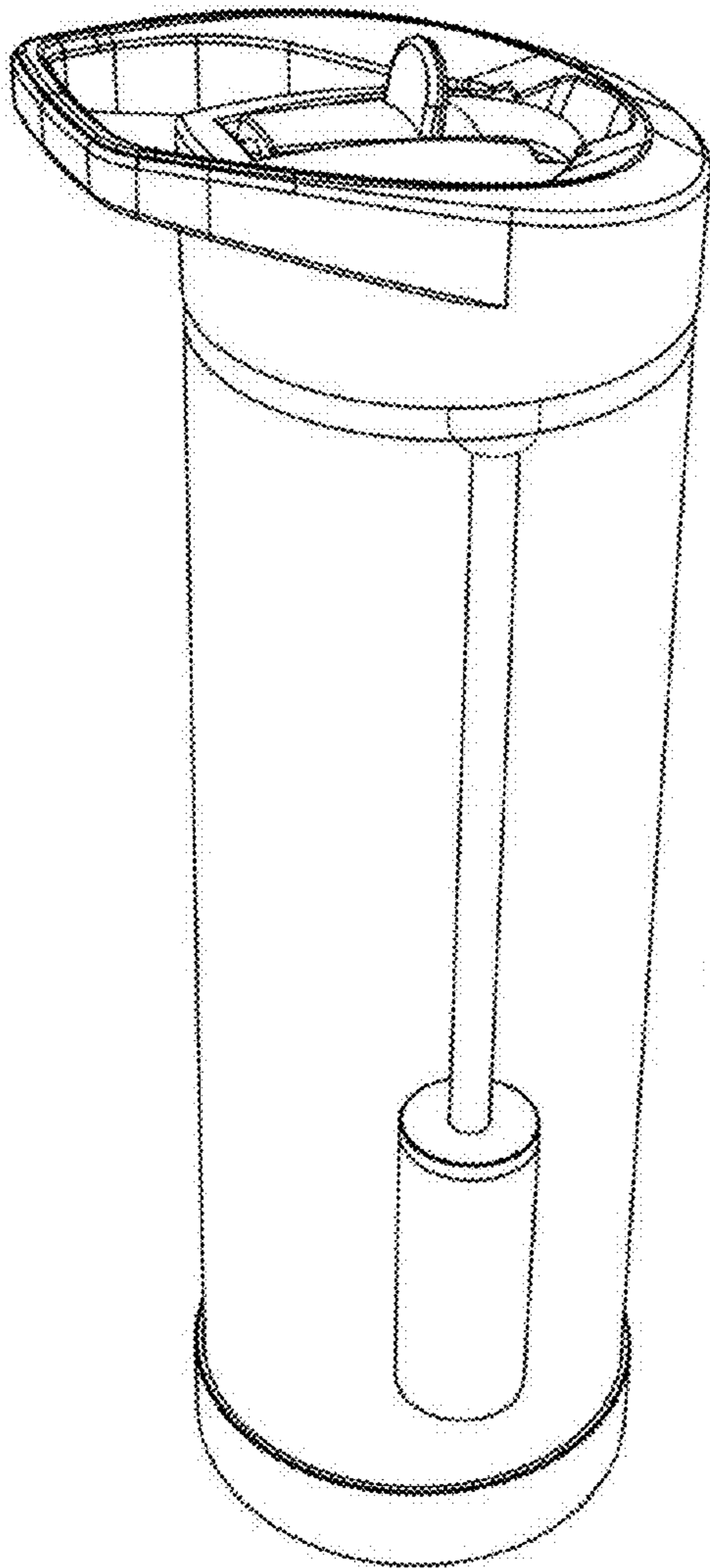


FIG. 2

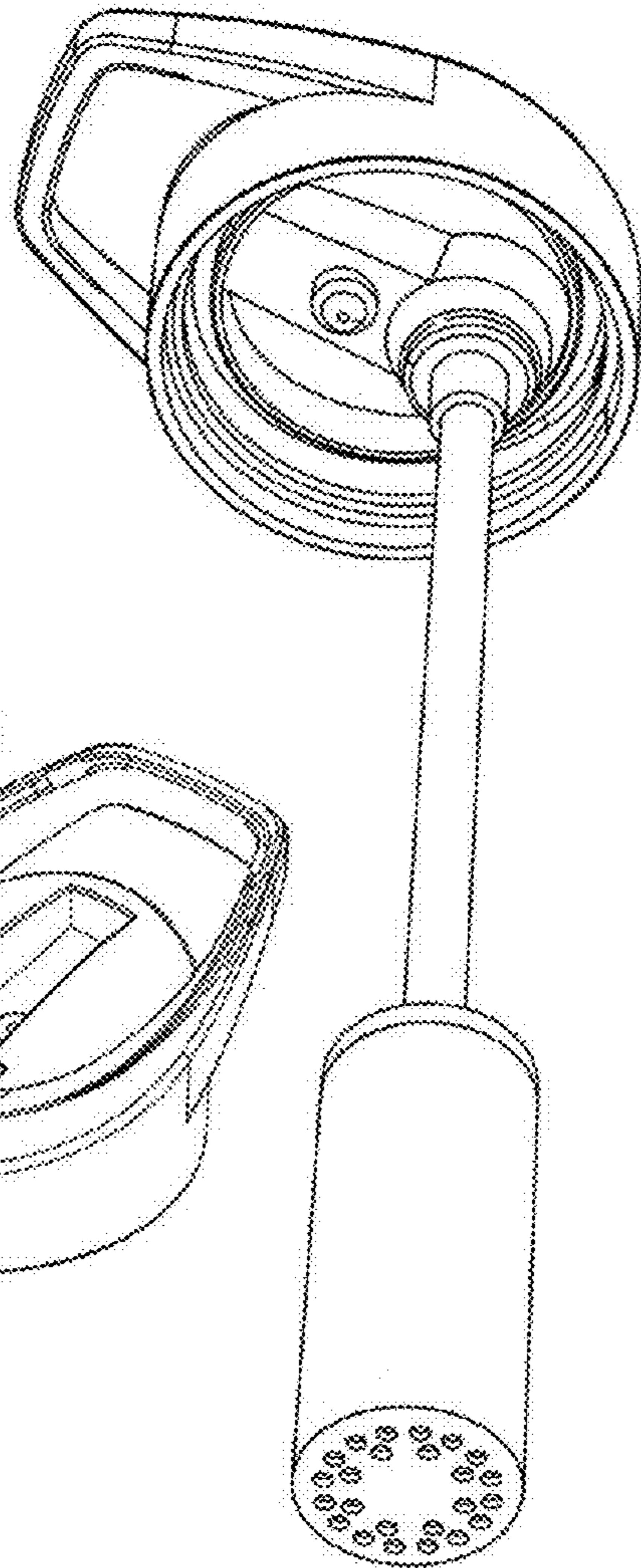


FIG. 3

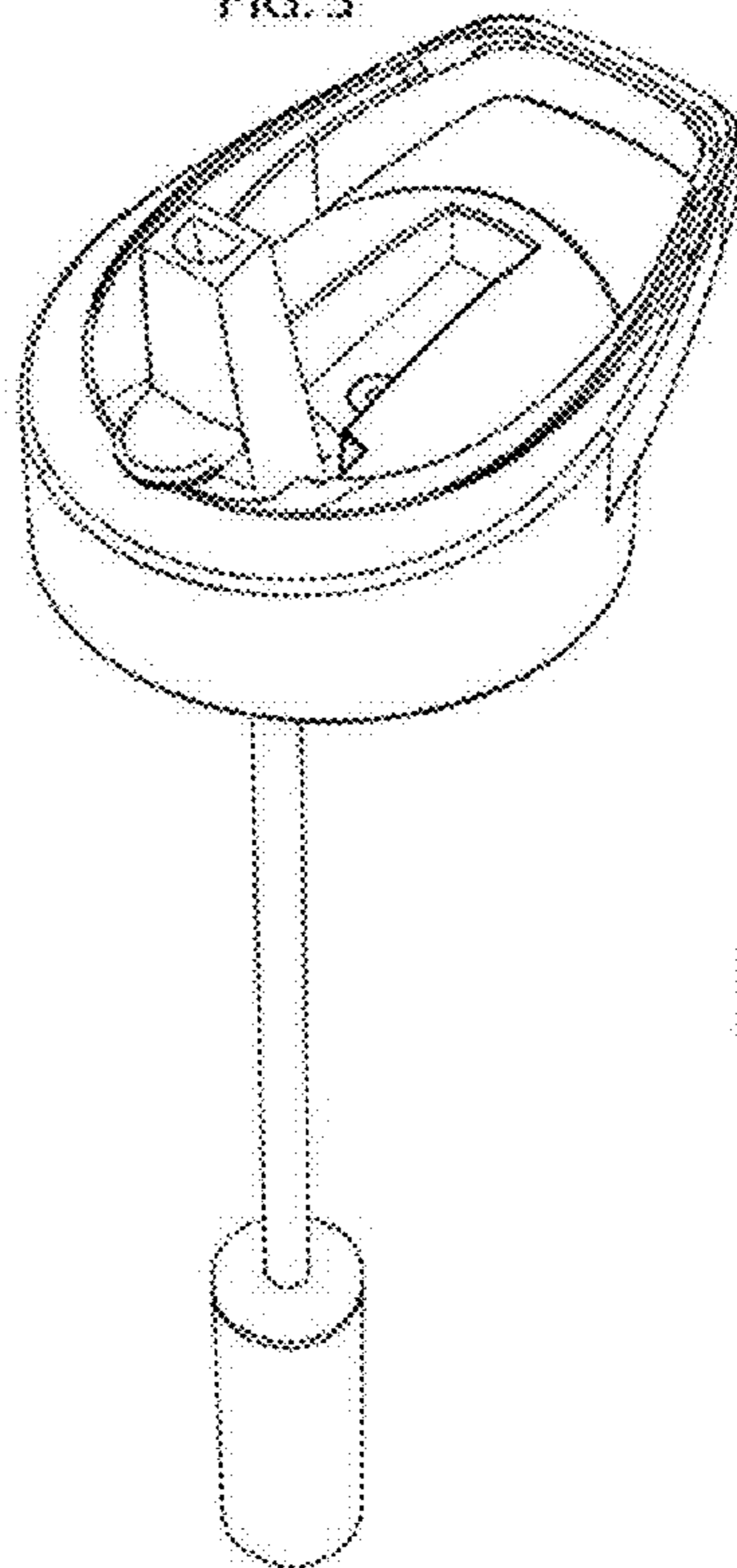


FIG. 4

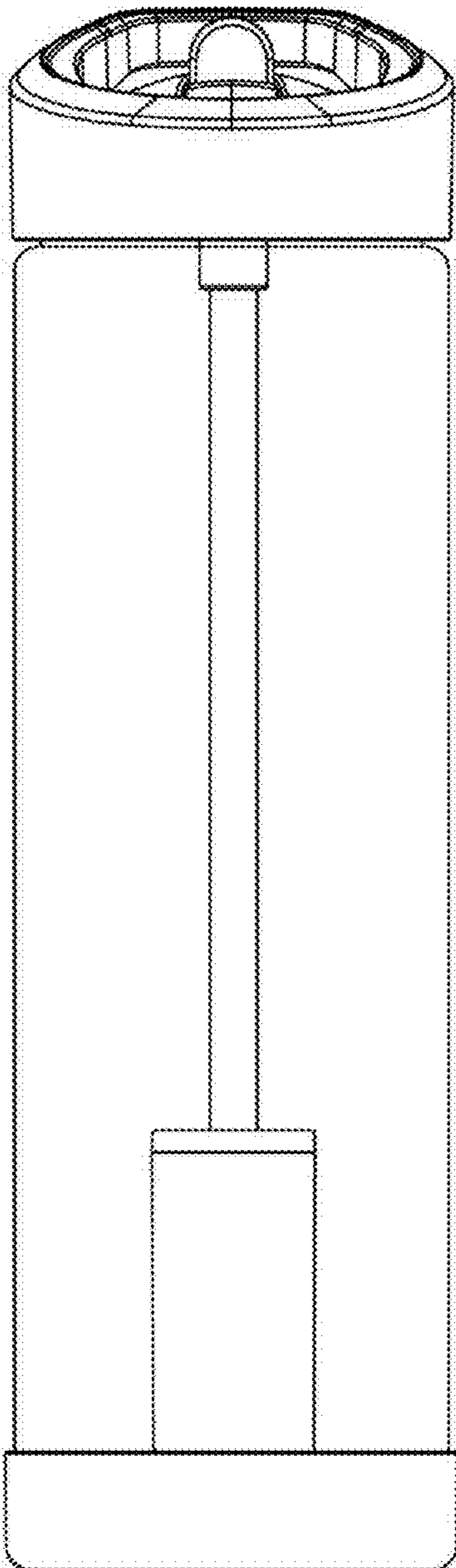
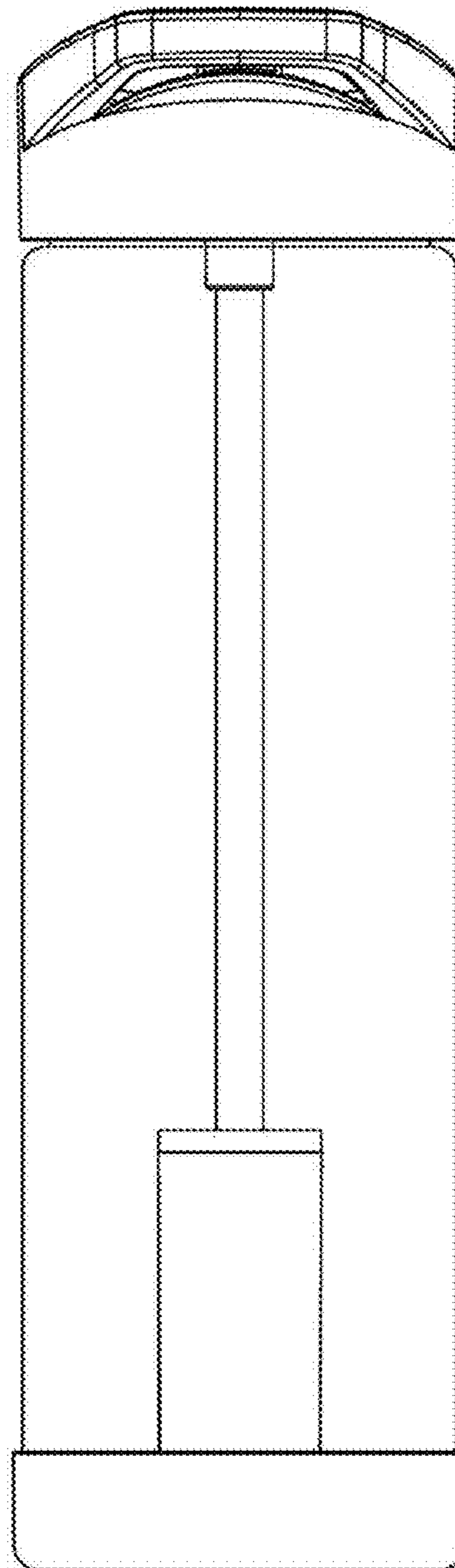


FIG. 5



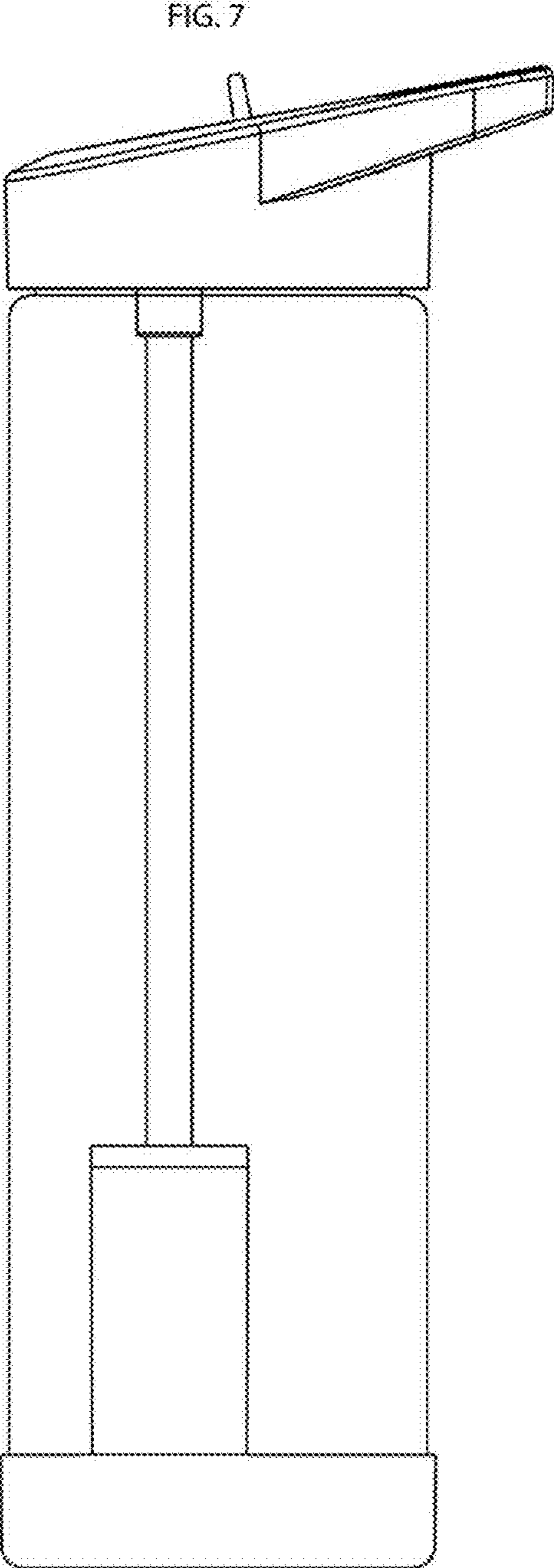
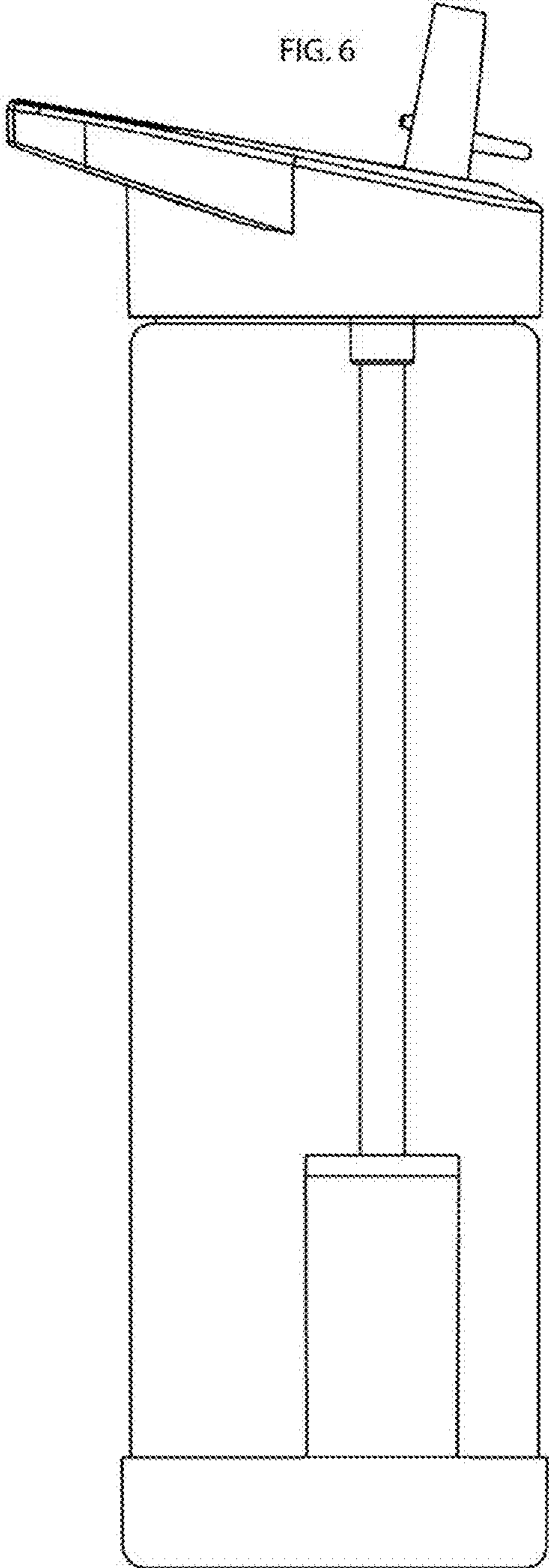


FIG. 8

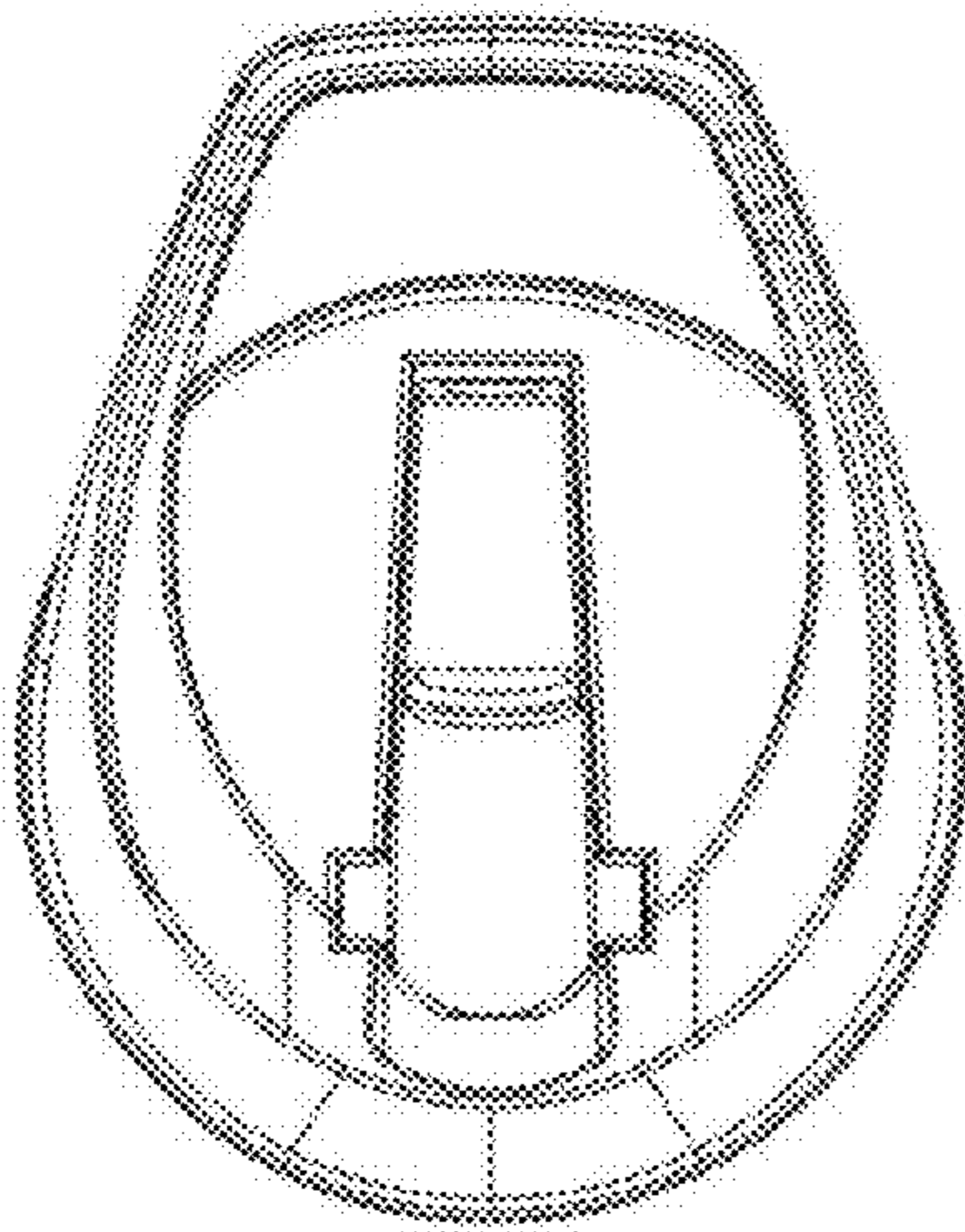


FIG. 9

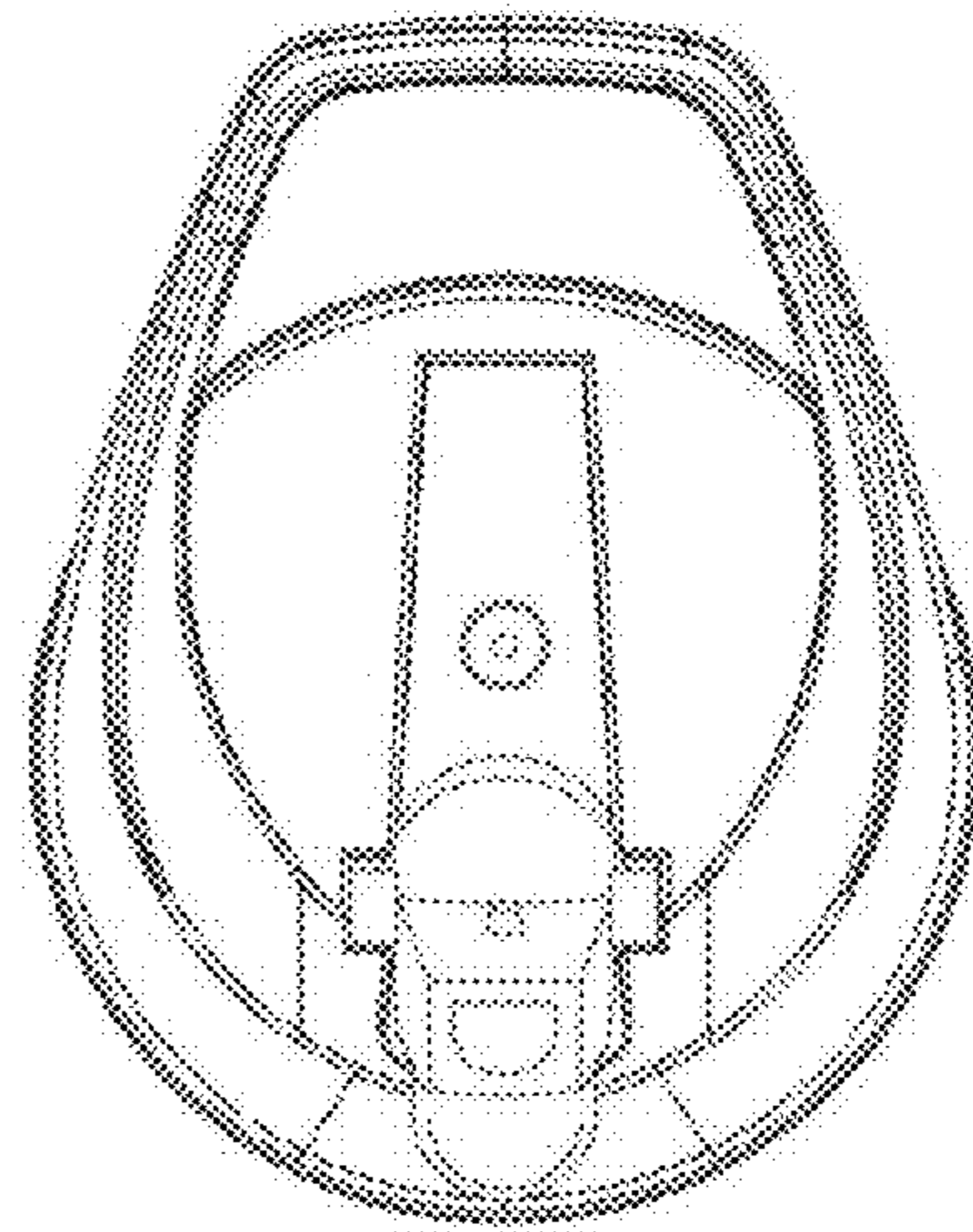


FIG. 10

