



US00D700013S

(12) **United States Design Patent**
Chu

(10) **Patent No.:** **US D700,013 S**

(45) **Date of Patent:** **** Feb. 25, 2014**

(54) **BLENDER BLADES**

(71) Applicant: **E. Mishan & Sons, Inc.**, New York, NY
(US)

(72) Inventor: **Tang Nien Chu**, Taipei (TW)

(73) Assignee: **E. Mishan & Sons, Inc.**, New York, NY
(US)

(**) Term: **14 Years**

(21) Appl. No.: **29/457,879**

(22) Filed: **Jun. 13, 2013**

(51) **LOC (10) Cl.** **31-00**

(52) **U.S. Cl.**

USPC **D7/412; D7/376; D7/378; D7/383**

(58) **Field of Classification Search**

USPC D7/301-313, 316-326, 356-357, 368,
D7/372-386, 391-398, 412-415, 503, 515,
D7/665-666, 679, 691-693; D15/29;
30/265; 99/280, 326, 348, 492,
99/508-512; 241/30-37.5, 98,
241/101.01-101.2, 166-169.1, 172, 199.12,
241/272, 282.1-282.2, 285.1-285.3, 291,
241/292.1; 366/64-67, 98, 129, 142-144,
366/192-211, 241-254, 262, 279, 282.1,
366/282.2, 292, 325.8, 325.92, 341-347;
416/75-77, 70 R, 163, 175, 227 R

See application file for complete search history.

(56) **References Cited**

U.S. PATENT DOCUMENTS

6,092,922	A *	7/2000	Kett et al.	366/205
6,834,818	B2 *	12/2004	Lee	241/292.1
D523,028	S *	6/2006	Fitzpatrick	D15/29
D624,359	S *	9/2010	Schleinker	D7/412
D632,523	S *	2/2011	Metaxatos et al.	D7/412
8,056,848	B1 *	11/2011	Liang	241/292.1
8,444,076	B2 *	5/2013	Rukavina	241/282.1
D684,817	S *	6/2013	Leavitt	D7/412
2002/0139884	A1 *	10/2002	Williams et al.	241/282.1
2007/0291583	A1 *	12/2007	Baschnagel	366/205
2008/0198691	A1 *	8/2008	Behar et al.	366/205
2009/0260236	A1 *	10/2009	Lin	30/265
2012/0080549	A1 *	4/2012	Rukavina	241/282.1

* cited by examiner

Primary Examiner — Ricky Pham

(74) *Attorney, Agent, or Firm* — Notaro, Michalos & Zaccaria P.C.

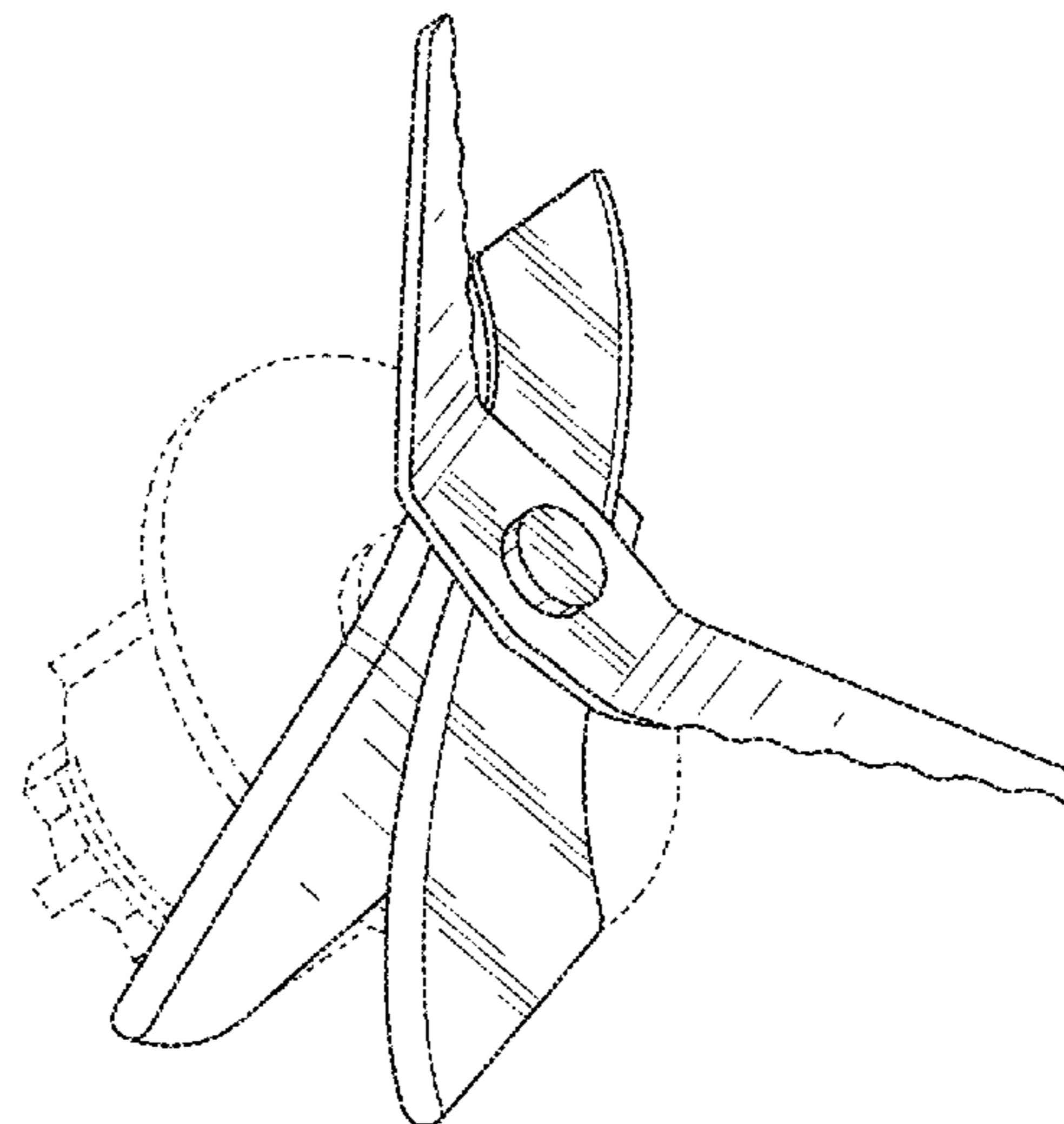
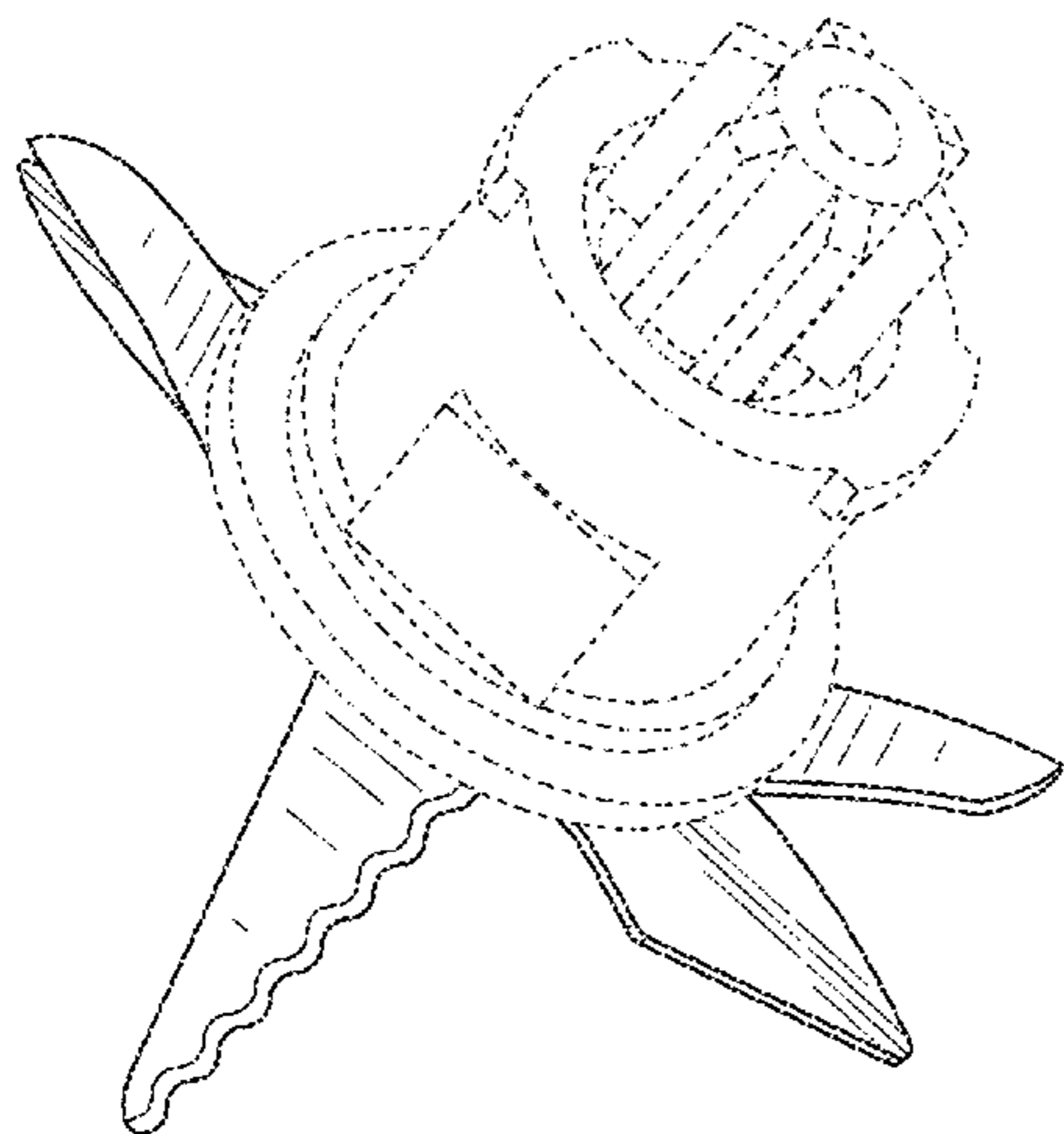
(57) **CLAIM**

The ornamental design for blender blades, as shown and described.

DESCRIPTION

FIG. 1 is a top perspective view of blender blades showing my new design;
FIG. 2 is a bottom perspective view thereof;
FIG. 3 is a front elevational view thereof, the rear being the same;
FIG. 4 is a side elevational view thereof, the opposite side being the same;
FIG. 5 is a bottom plan view thereof; and,
FIG. 6 is a top plan view.
In all the views, the broken lines depict environment which forms no part of the design.

1 Claim, 4 Drawing Sheets



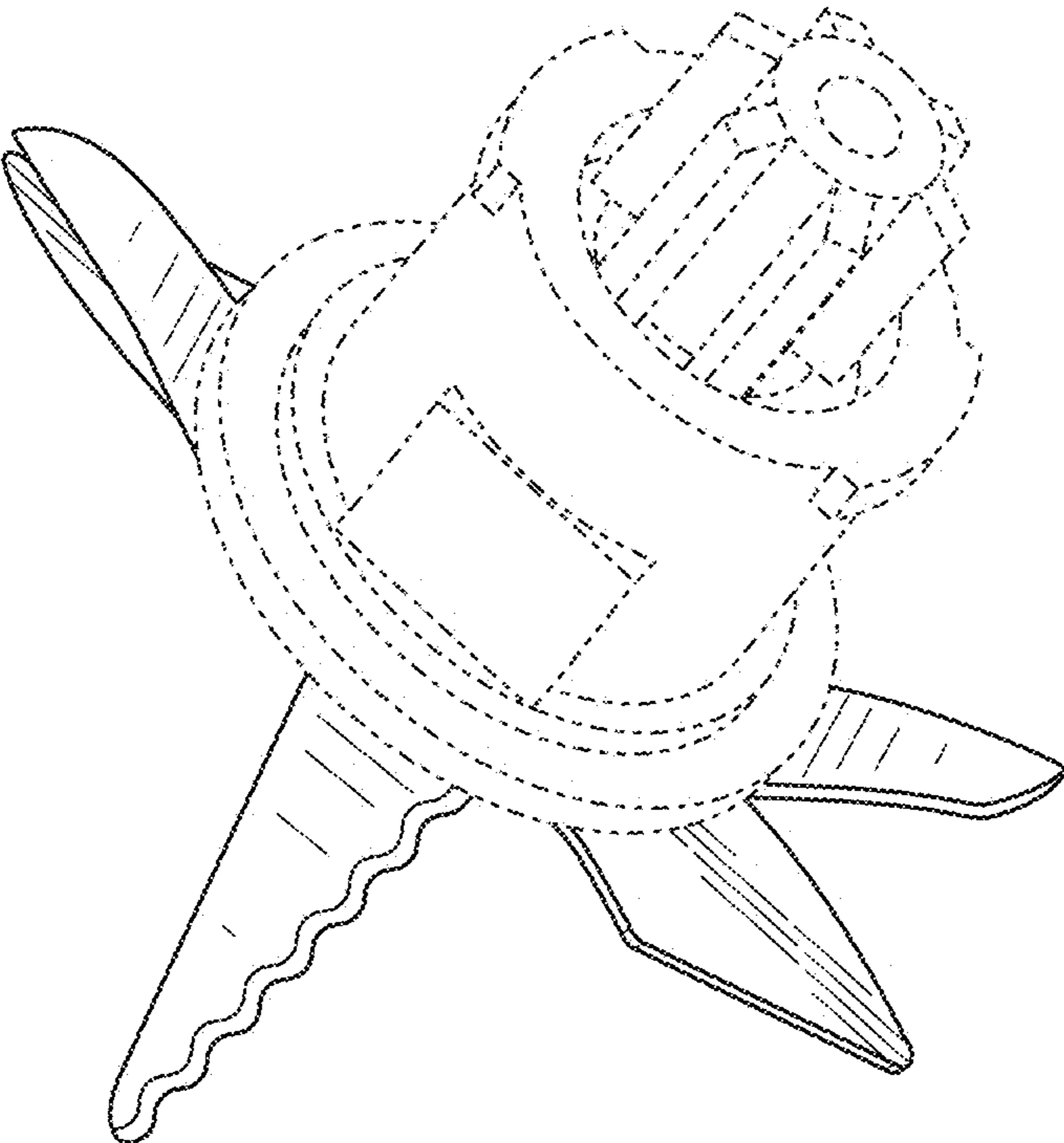


FIG. 1

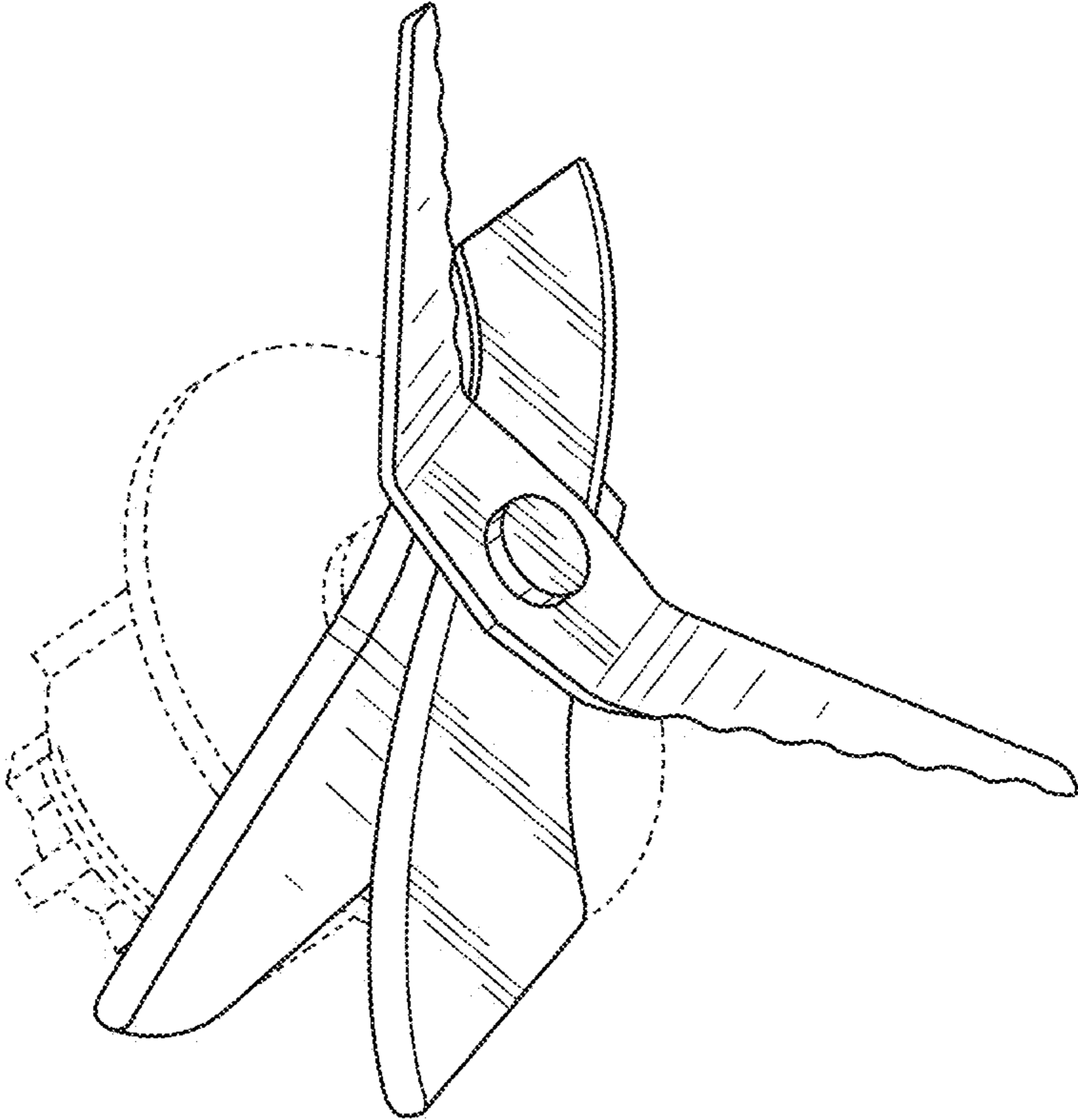


FIG. 2

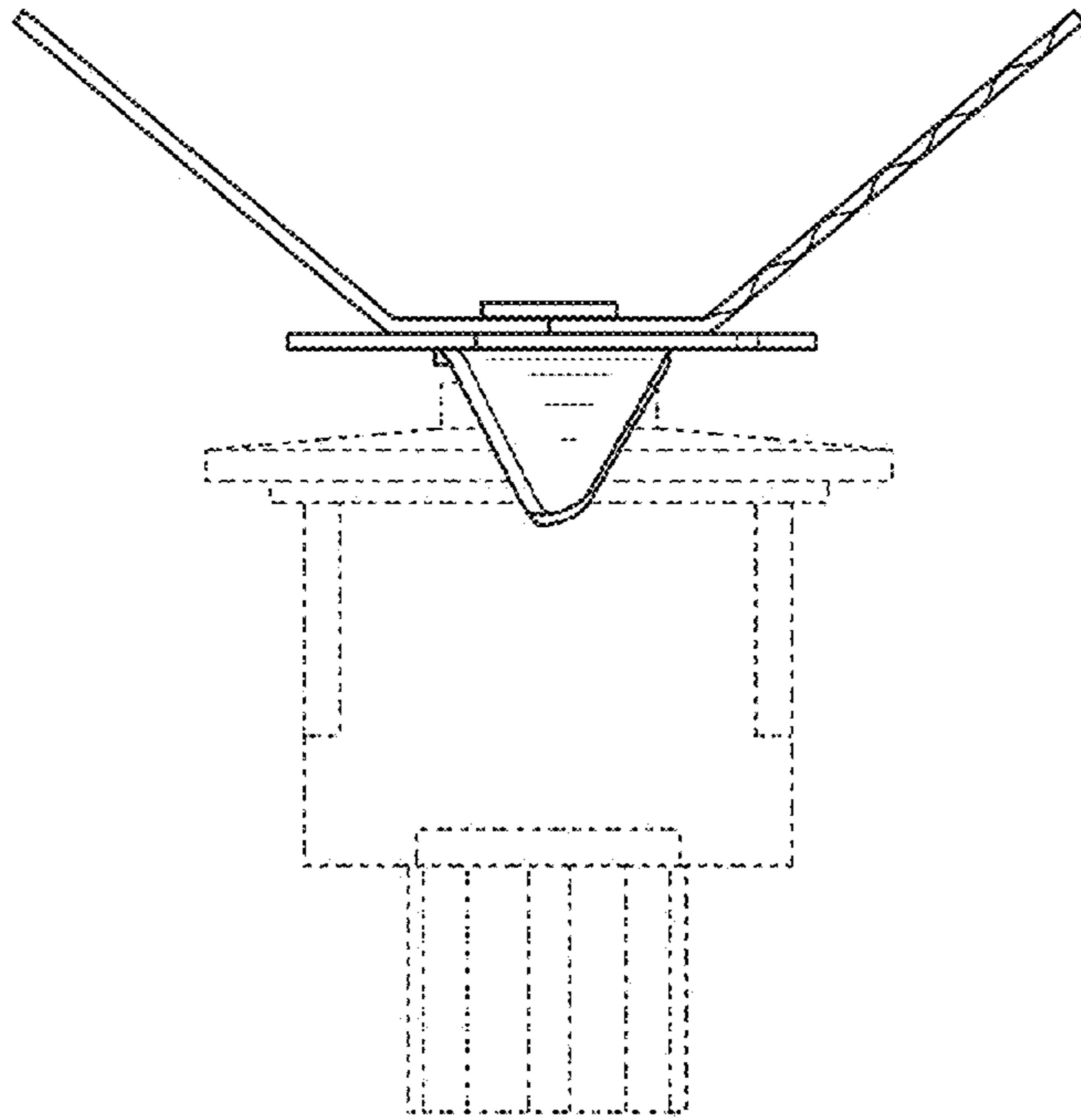


FIG. 3

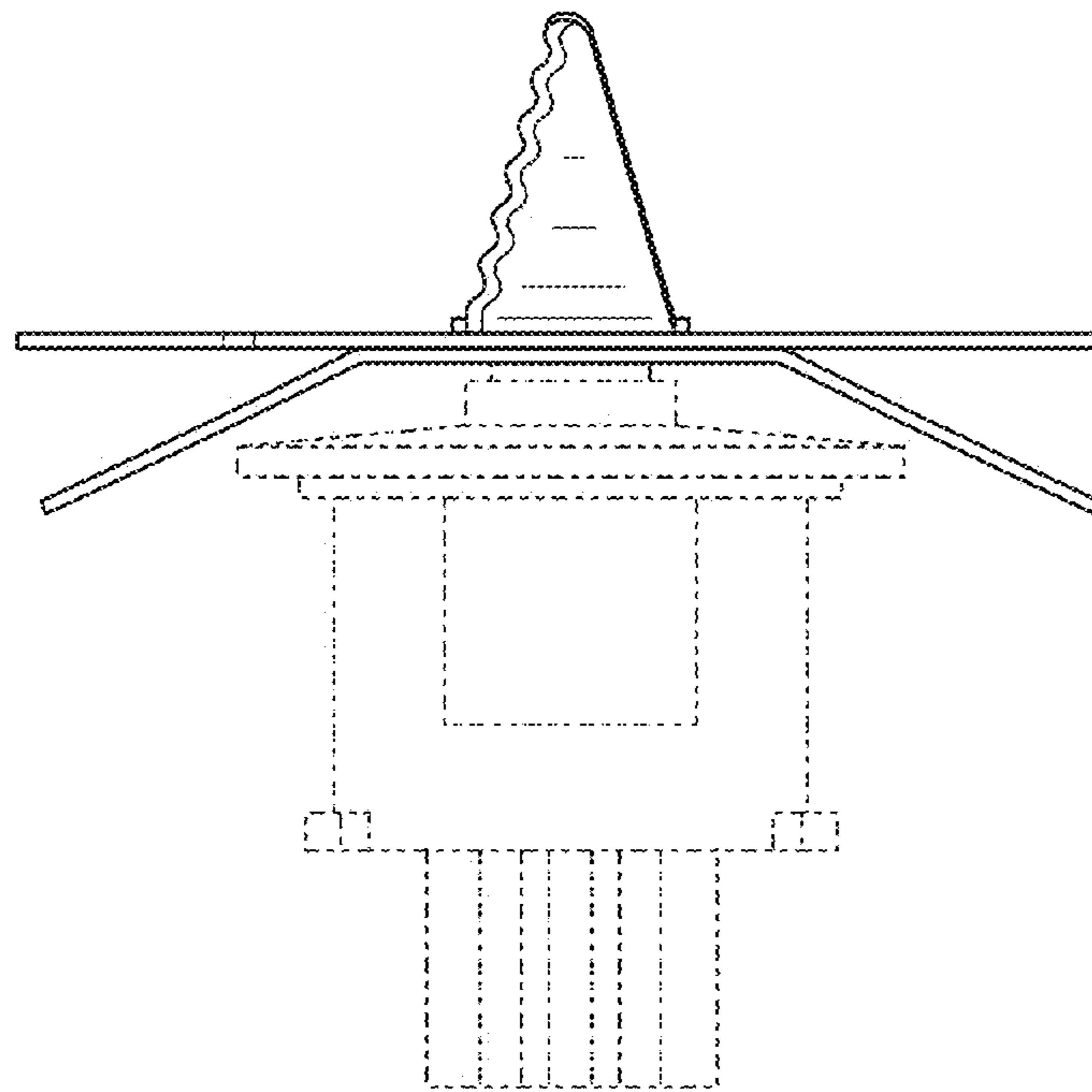


FIG. 4

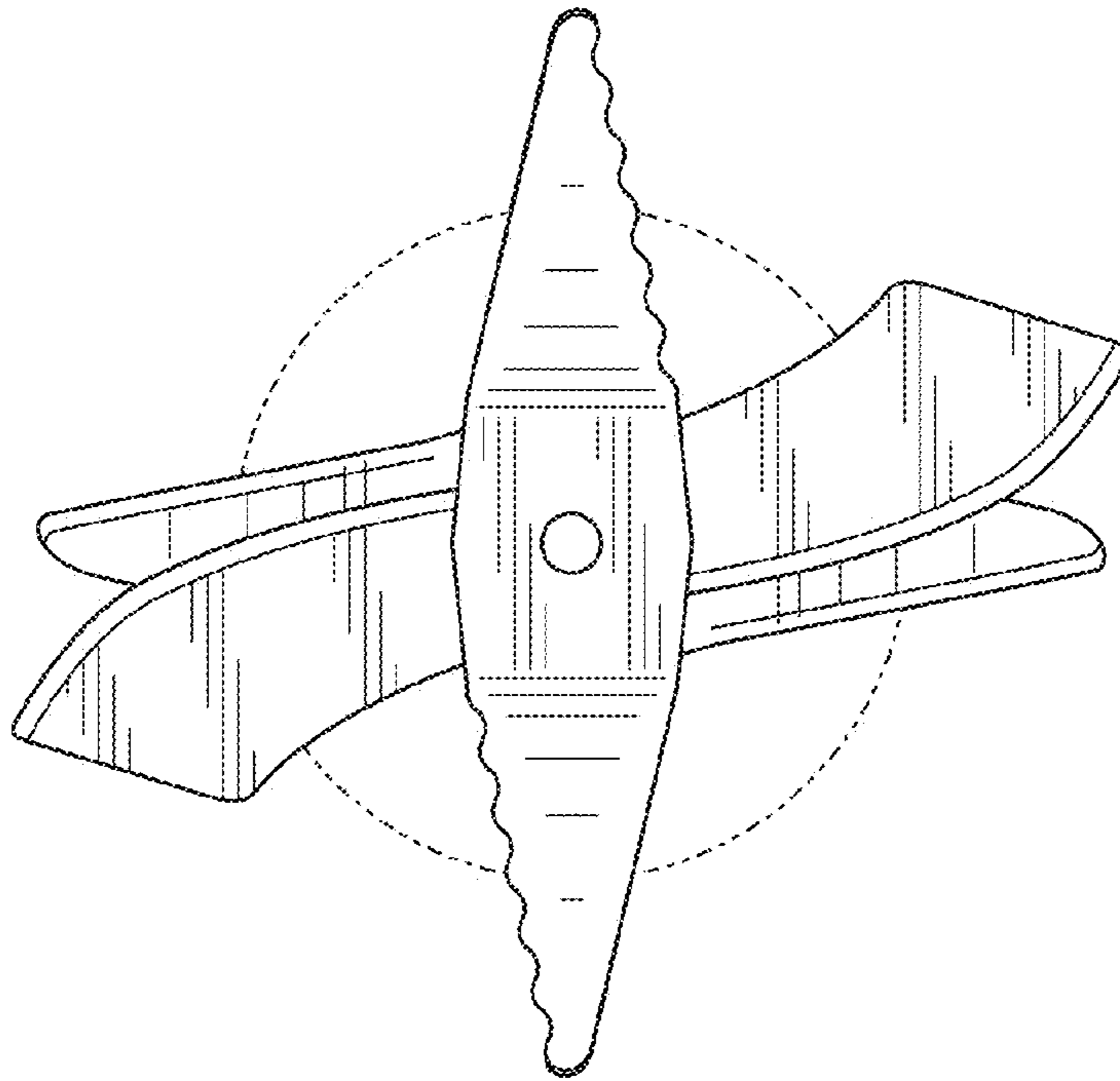


FIG. 5

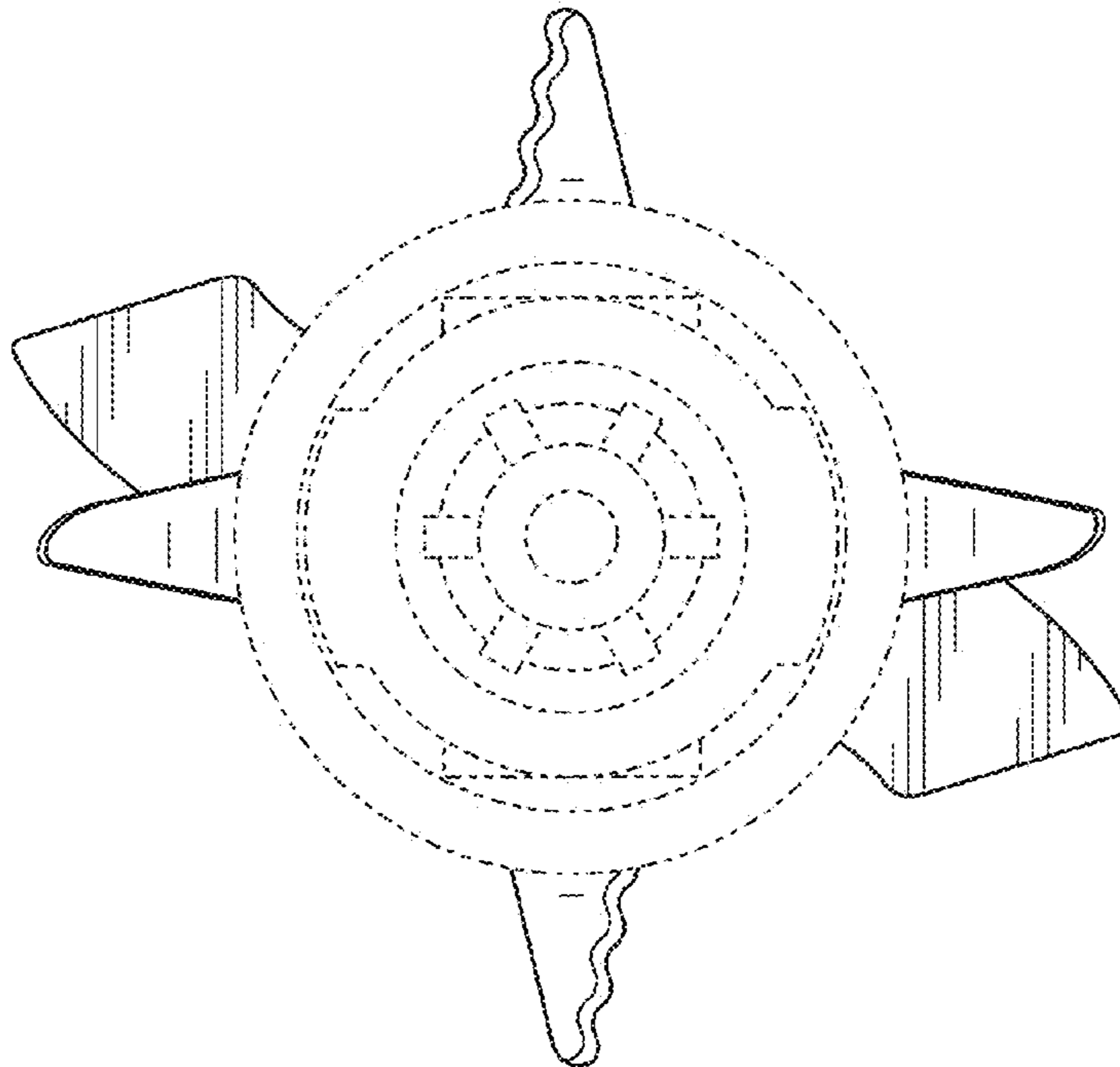


FIG. 6