



US00D700011S

(12) **United States Design Patent**
Duvigneau

(10) **Patent No.:** **US D700,011 S**

(45) **Date of Patent:** **** Feb. 25, 2014**

(54) **CONTAINER LID**

(56) **References Cited**

(71) Applicant: **Curver Luxembourg SARL,**
Neidercorn (LU)

U.S. PATENT DOCUMENTS

(72) Inventor: **Nikolai Duvigneau, Zichron Yaacov (IL)**

D452,374	S	*	12/2001	Kim	D3/302
D481,910	S	*	11/2003	Kim	D7/629
D493,073	S	*	7/2004	Kim	D7/629
6,793,096	B1	*	9/2004	Seok	220/788
D544,762	S	*	6/2007	Zimmerman	D7/629
D562,083	S	*	2/2008	Lown et al.	D7/629
D652,265	S	*	1/2012	Lindsay et al.	D7/629
2004/0084464	A1	*	5/2004	Koo	220/784
2005/0006390	A1	*	1/2005	Wang	220/326
2005/0035125	A1	*	2/2005	Bae	220/326
2007/0065545	A1	*	3/2007	Vovan	426/129

(73) Assignee: **Curver Luxembourg SARL,**
Neidercorn (LU)

(**) Term: **14 Years**

(21) Appl. No.: **29/462,933**

* cited by examiner

(22) Filed: **Aug. 9, 2013**

Primary Examiner — Terry Wallace

Related U.S. Application Data

(62) Division of application No. 29/399,150, filed on Aug. 10, 2011, now Pat. No. Des. 694,589.

(74) *Attorney, Agent, or Firm* — Nath, Goldberg & Meyer; Jerald L. Meyer; Scott Langford

(30) **Foreign Application Priority Data**

Feb. 11, 2011 (EM) 001259949-0021

(51) **LOC (10) Cl.** **07-07**

(52) **U.S. Cl.**
USPC **D7/391**

(58) **Field of Classification Search**
USPC D7/391-392.1, 629, 538-542, 630;
D9/424-432, 434, 435, 443, 449;
220/780-806, 324, 326, 236; D3/201,
D3/273, 294
See application file for complete search history.

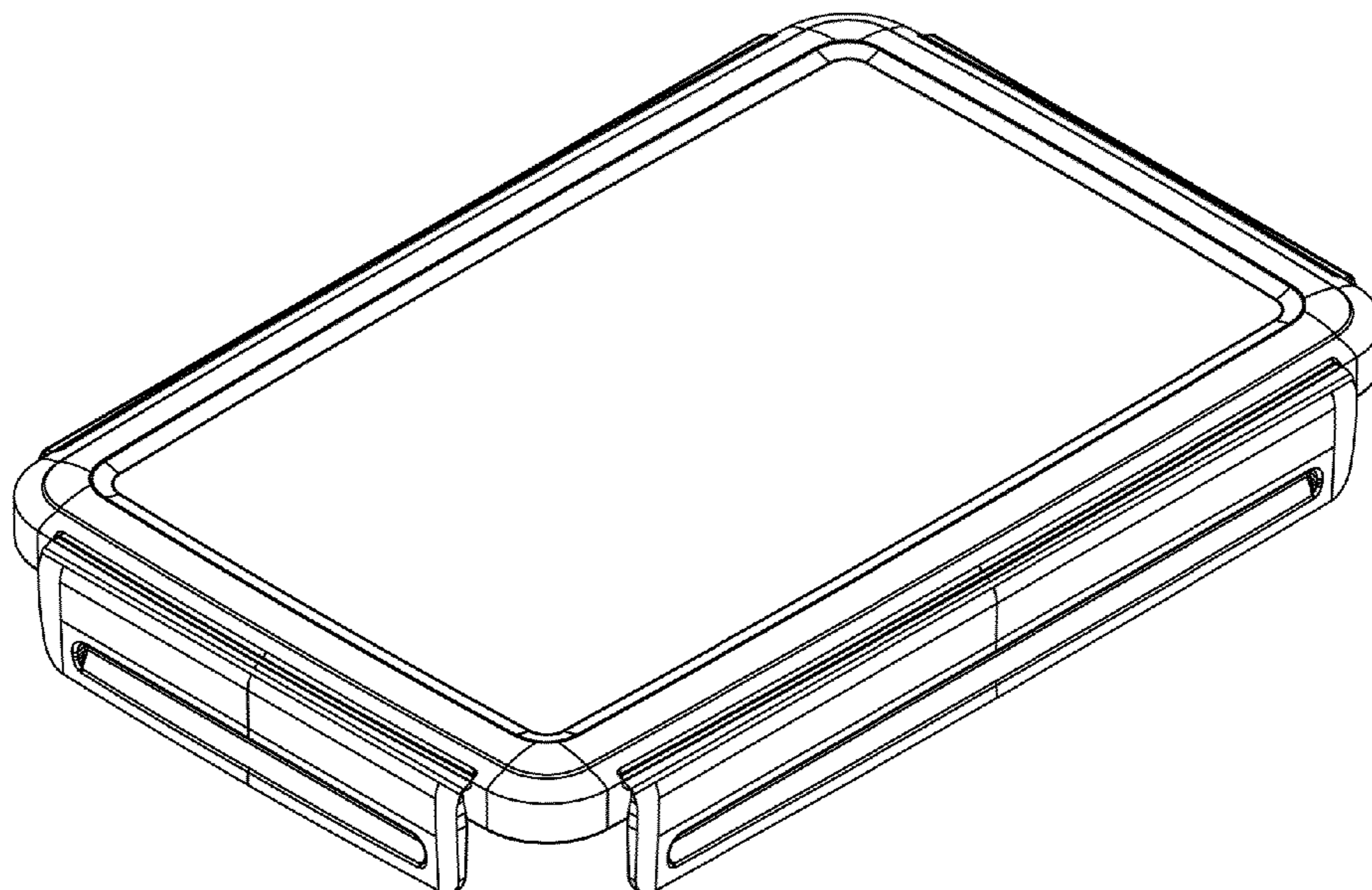
(57) **CLAIM**

The ornamental design for a container lid, as shown and described.

DESCRIPTION

FIG. 1 is a top perspective view of a container lid;
FIG. 2 is a front elevational view of the container lid as seen in FIG. 1, with the rear elevational view being identical;
FIG. 3 is a right elevational view of the container lid as seen in FIG. 1, with the left elevational view being identical;
FIG. 4 is a top planar view of the container lid as seen in FIG. 1, and,
FIG. 5 is a bottom planar view of the container lid as seen in FIG. 1.

1 Claim, 5 Drawing Sheets



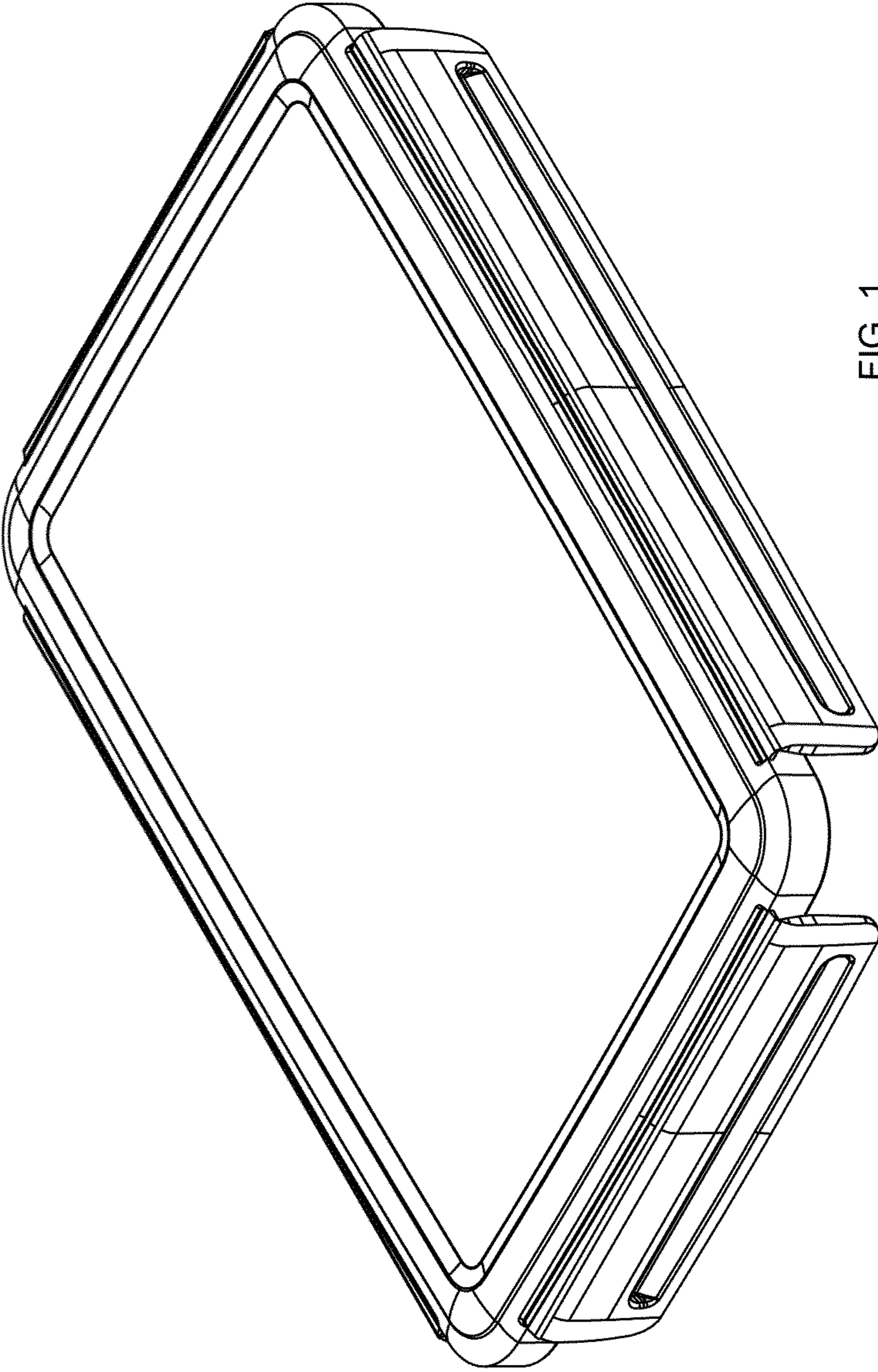


FIG. 1

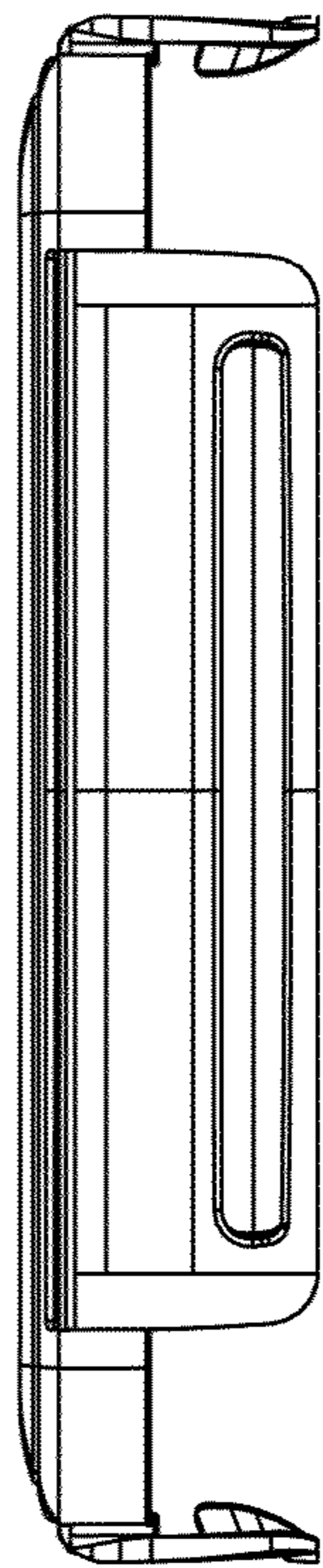


FIG. 2

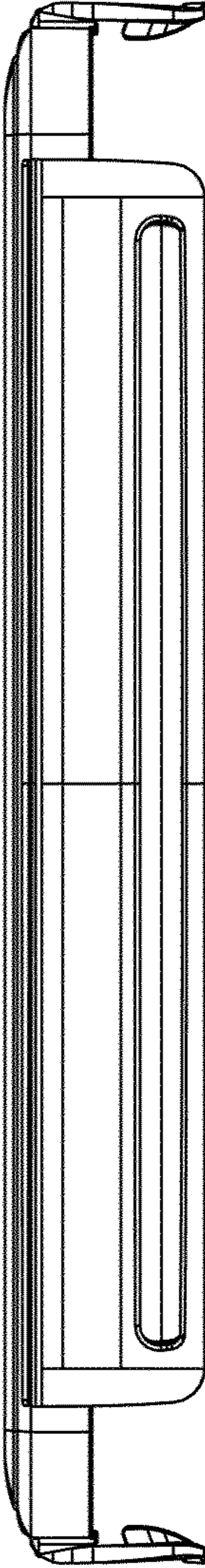


FIG. 3

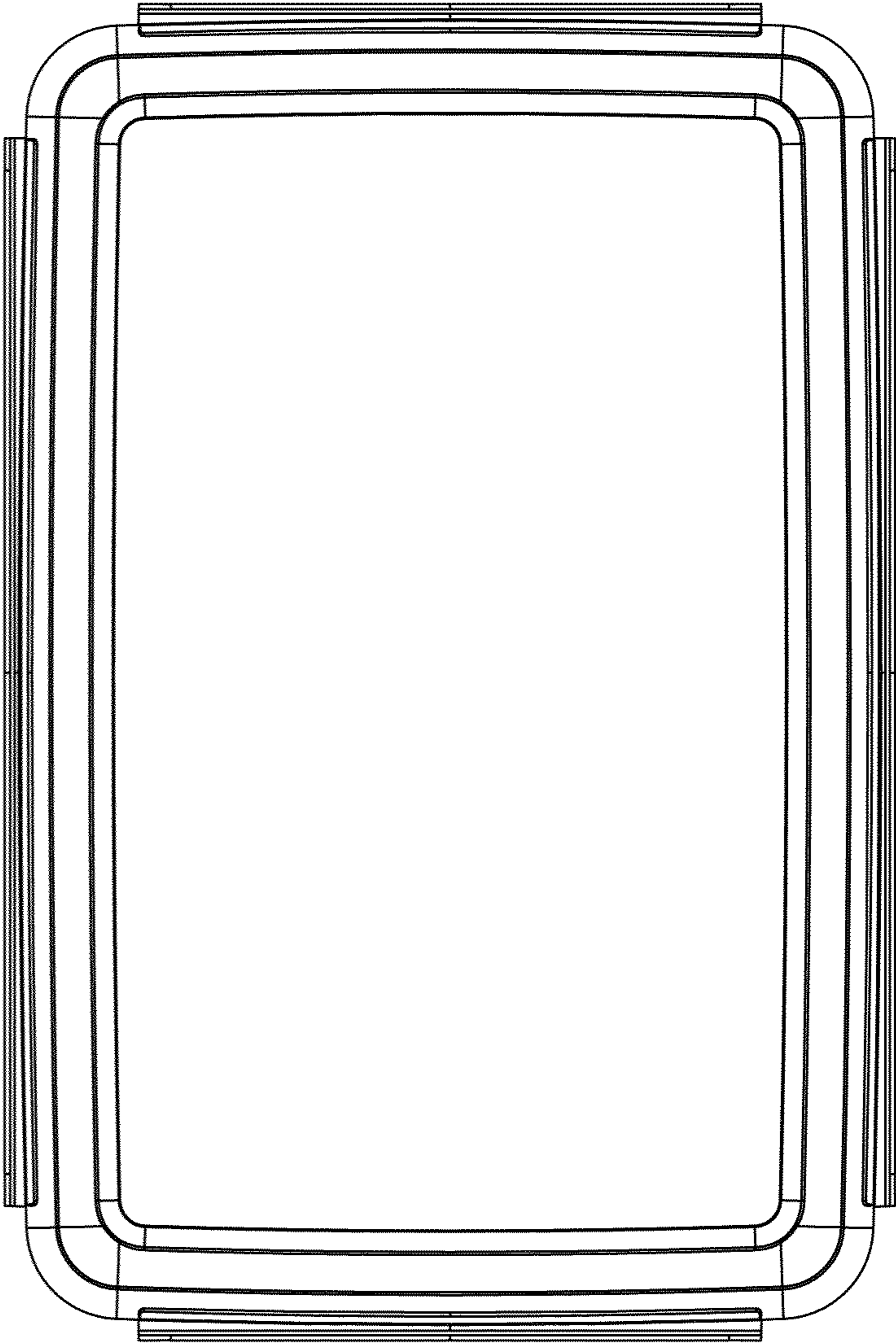


FIG. 4

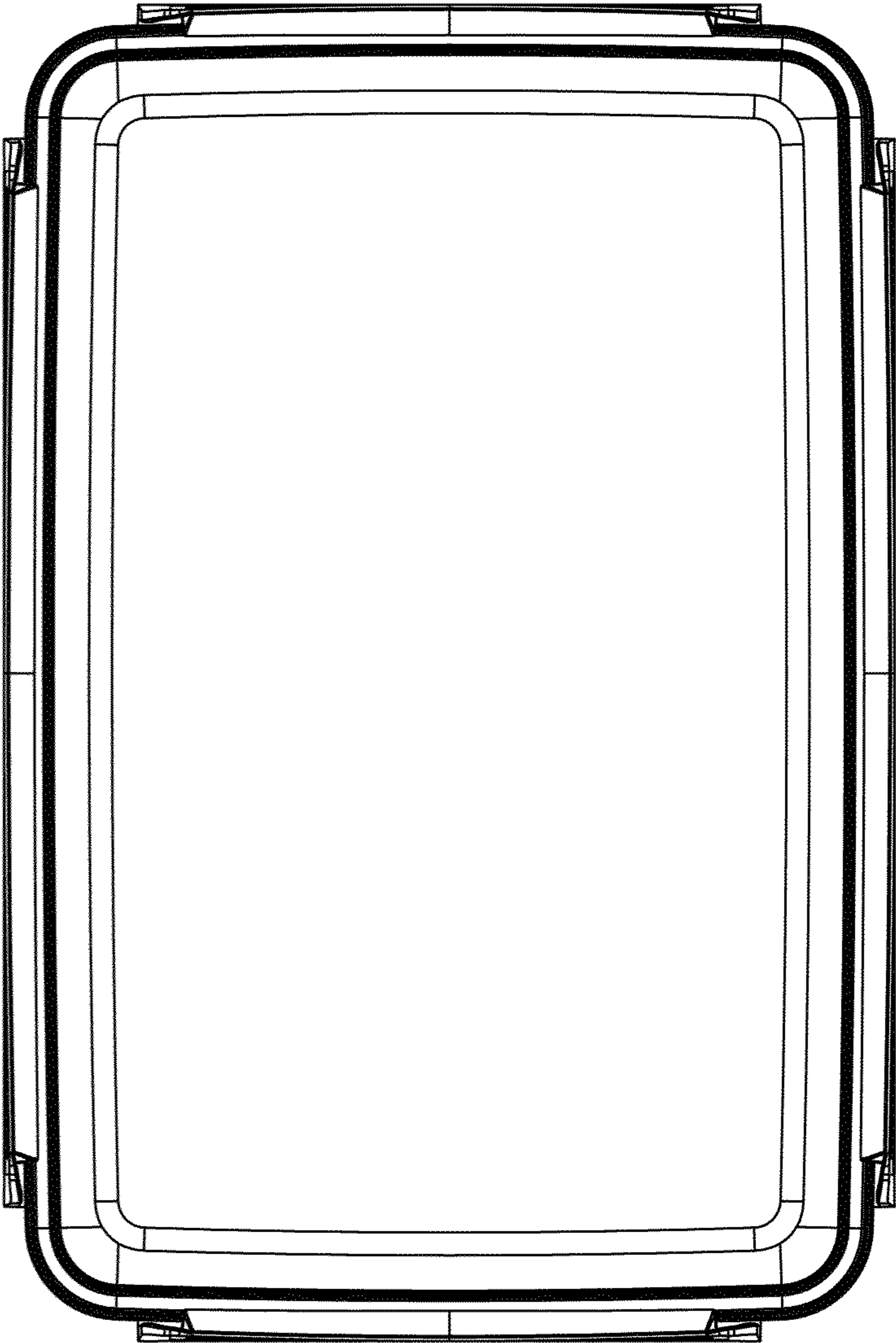


FIG. 5