



US00D700010S

(12) **United States Design Patent**  
**Duvigneau**

(10) **Patent No.:** **US D700,010 S**

(45) **Date of Patent:** **\*\* Feb. 25, 2014**

(54) **CONTAINER LID**

(71) Applicant: **Curver Luxembourg SARL,**  
Neidercorn (LU)

(72) Inventor: **Nikolai Duvigneau,** Zichron Yaacov (IL)

(73) Assignee: **Curver Luxembourg SARL,**  
Neidercorn (LU)

(\*\*) Term: **14 Years**

(21) Appl. No.: **29/462,931**

(22) Filed: **Aug. 9, 2013**

**Related U.S. Application Data**

(62) Division of application No. 29/399,150, filed on Aug. 10, 2011, now Pat. No. Des. 694,589.

(30) **Foreign Application Priority Data**

Feb. 11, 2011	(EM)	001259949-0020
Feb. 11, 2011	(EM)	001259949-0022
Feb. 11, 2011	(EM)	001259949-0024
Feb. 11, 2011	(EM)	001259949-0025

(51) **LOC (10) Cl.** ..... **07-07**

(52) **U.S. Cl.**  
USPC ..... **D7/391**

(58) **Field of Classification Search**  
USPC ..... D7/391-392.1, 629, 538-542, 630;  
D9/424-432, 434, 435, 443, 449;  
220/780-806, 324, 326, 236; D3/201,  
D3/273, 294

See application file for complete search history.

(56) **References Cited**

**U.S. PATENT DOCUMENTS**

D452,374 S	*	12/2001	Kim	.....	D3/302
D481,910 S	*	11/2003	Kim	.....	D7/629

(Continued)

*Primary Examiner* — Terry Wallace

(74) *Attorney, Agent, or Firm* — Nath, Goldberg & Meyer;  
Jerald L. Meyer

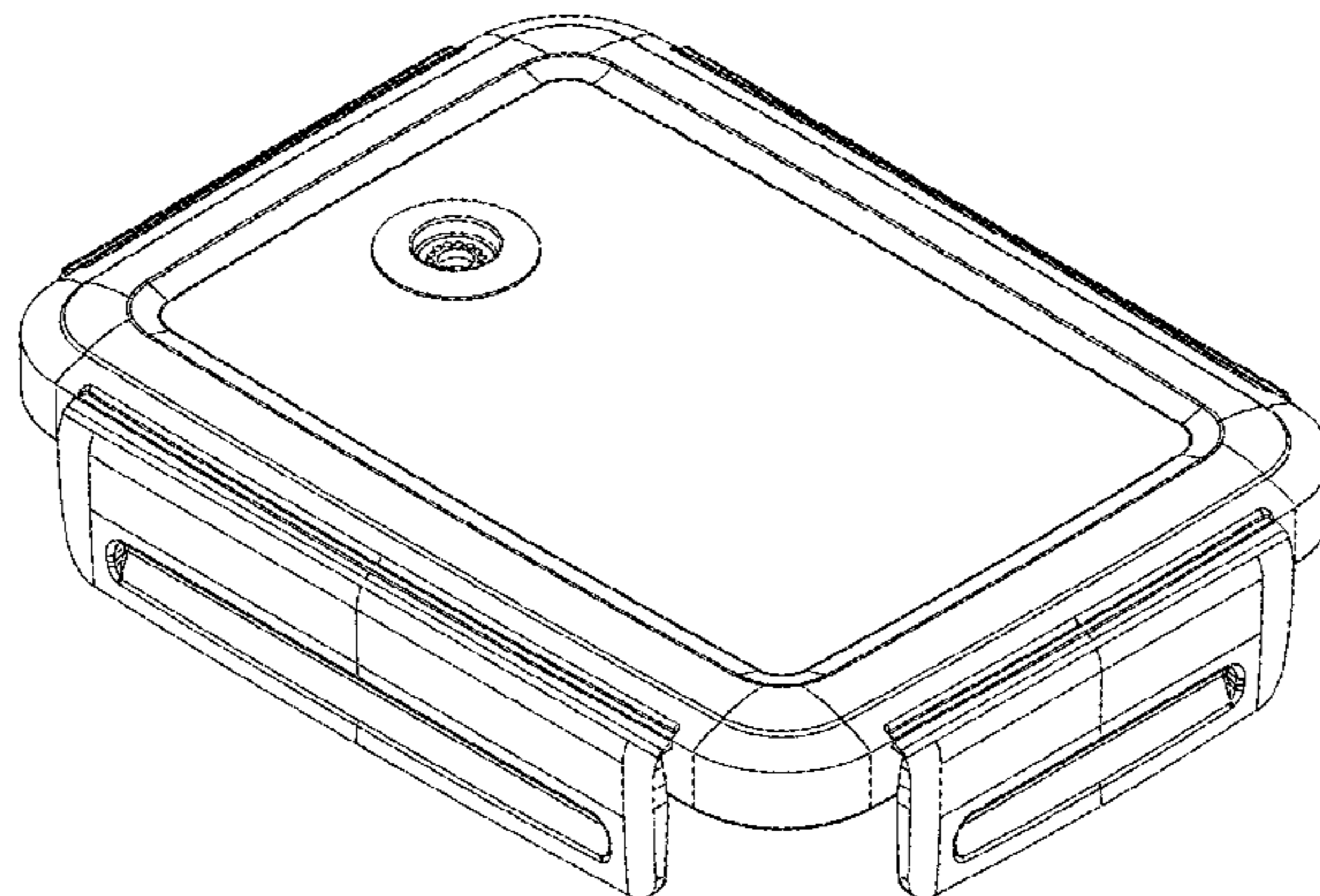
(57) **CLAIM**

The ornamental design for container lid, as shown and described.

**DESCRIPTION**

FIG. 1 is a top perspective view of a container lid;  
 FIG. 2 is a front elevational view of the container lid as seen in FIG. 1, with the rear elevational view being identical;  
 FIG. 3 is a right elevational view of the container lid as seen in FIG. 1, with the left elevational view being identical;  
 FIG. 4 is a top planar view of the container lid as seen in FIG. 1;  
 FIG. 5 is a bottom planar view of the container lid as seen in FIG. 1;  
 FIG. 6 is a top perspective view of a second embodiment of a container lid;  
 FIG. 7 is a front elevational view of the container lid as seen in FIG. 6, with the rear elevational view being identical;  
 FIG. 8 is a right elevational view of the container lid as seen in FIG. 6, with the left elevational view being identical;  
 FIG. 9 is a top planar view of the container lid as seen in FIG. 6;  
 FIG. 10 is a bottom planar view of the container lid as seen in FIG. 6;  
 FIG. 11 is a top perspective view of third embodiment of a container lid;  
 FIG. 12 is a right elevational view of the container lid as seen in FIG. 11, with the other elevational views being identical;  
 FIG. 13 is a top planar view of the container lid as seen in FIG. 11;  
 FIG. 14 is a bottom planar view of the container lid as seen in FIG. 11;  
 FIG. 15 is a top perspective view of a fourth embodiment of a container lid;  
 FIG. 16 is a right elevational view of the container lid as seen in FIG. 15, with the other elevational views being identical;  
 FIG. 17 is a top planar view of the container lid as seen in FIG. 15; and,  
 FIG. 18 is a bottom planar view of the container lid as seen in FIG. 15.

**1 Claim, 18 Drawing Sheets**



# US D700,010 S

Page 2

---

(56)

## References Cited

### U.S. PATENT DOCUMENTS

D493,073 S \* 7/2004 Kim ..... D7/629  
6,793,096 B1 \* 9/2004 Seok ..... 220/788  
D544,762 S \* 6/2007 Zimmerman ..... D7/629  
D562,083 S \* 2/2008 Lown et al. .... D7/629

D652,265 S \* 1/2012 Lindsay et al. .... D7/629  
2004/0084464 A1 \* 5/2004 Koo ..... 220/784  
2005/0006390 A1 \* 1/2005 Wang ..... 220/326  
2005/0035125 A1 \* 2/2005 Bae ..... 220/326  
2007/0065545 A1 \* 3/2007 Vovan ..... 426/129

\* cited by examiner

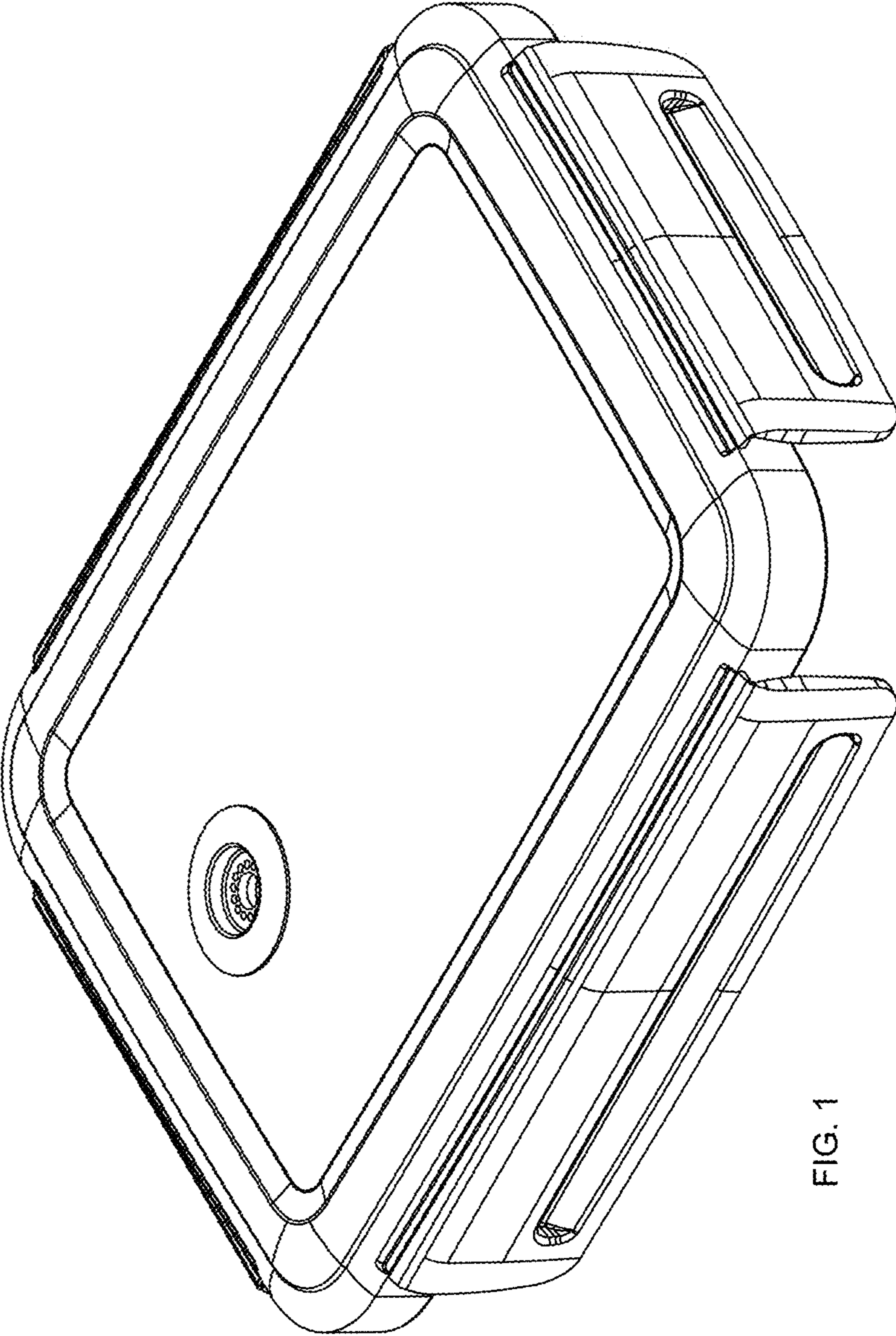


FIG. 1

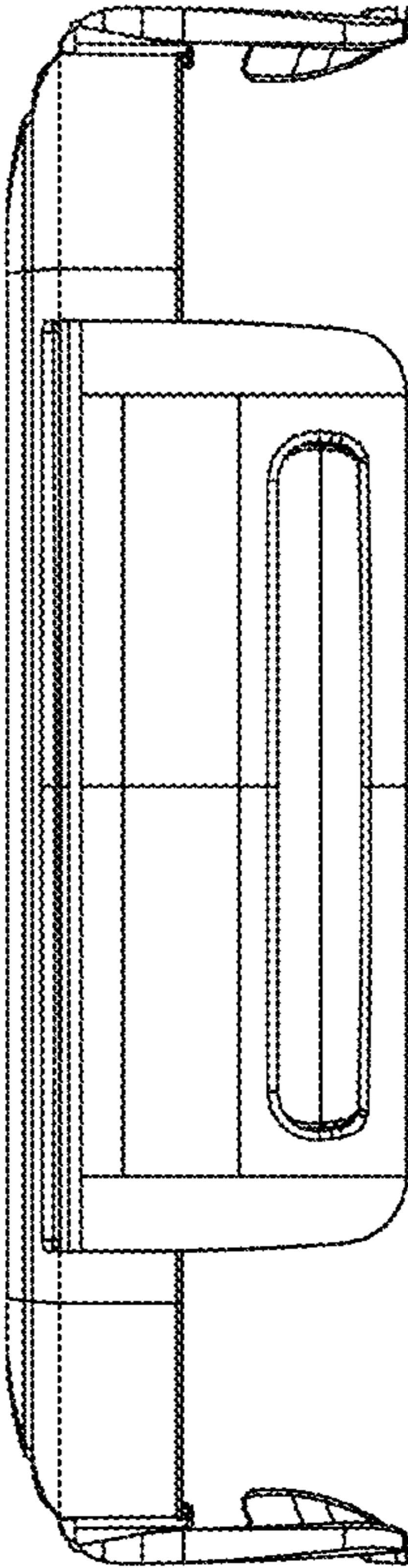


FIG. 2

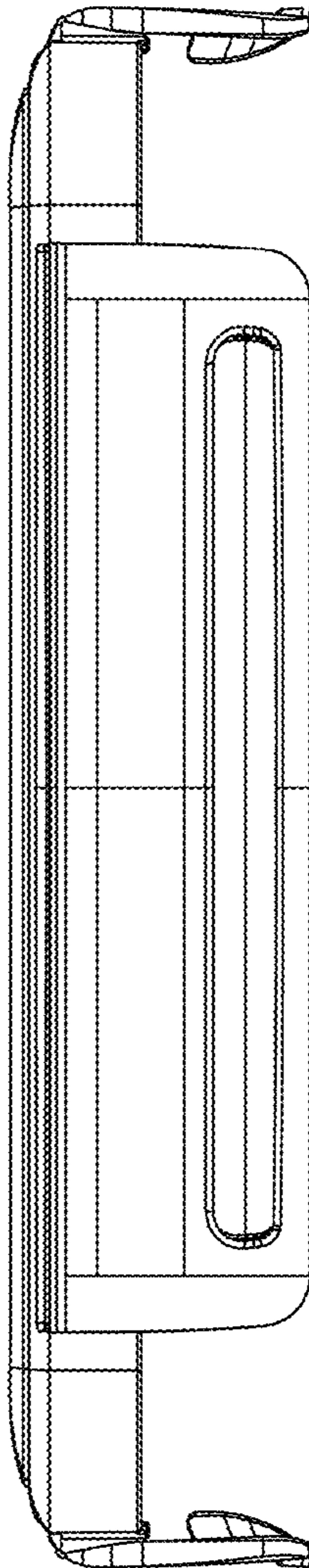


FIG. 3

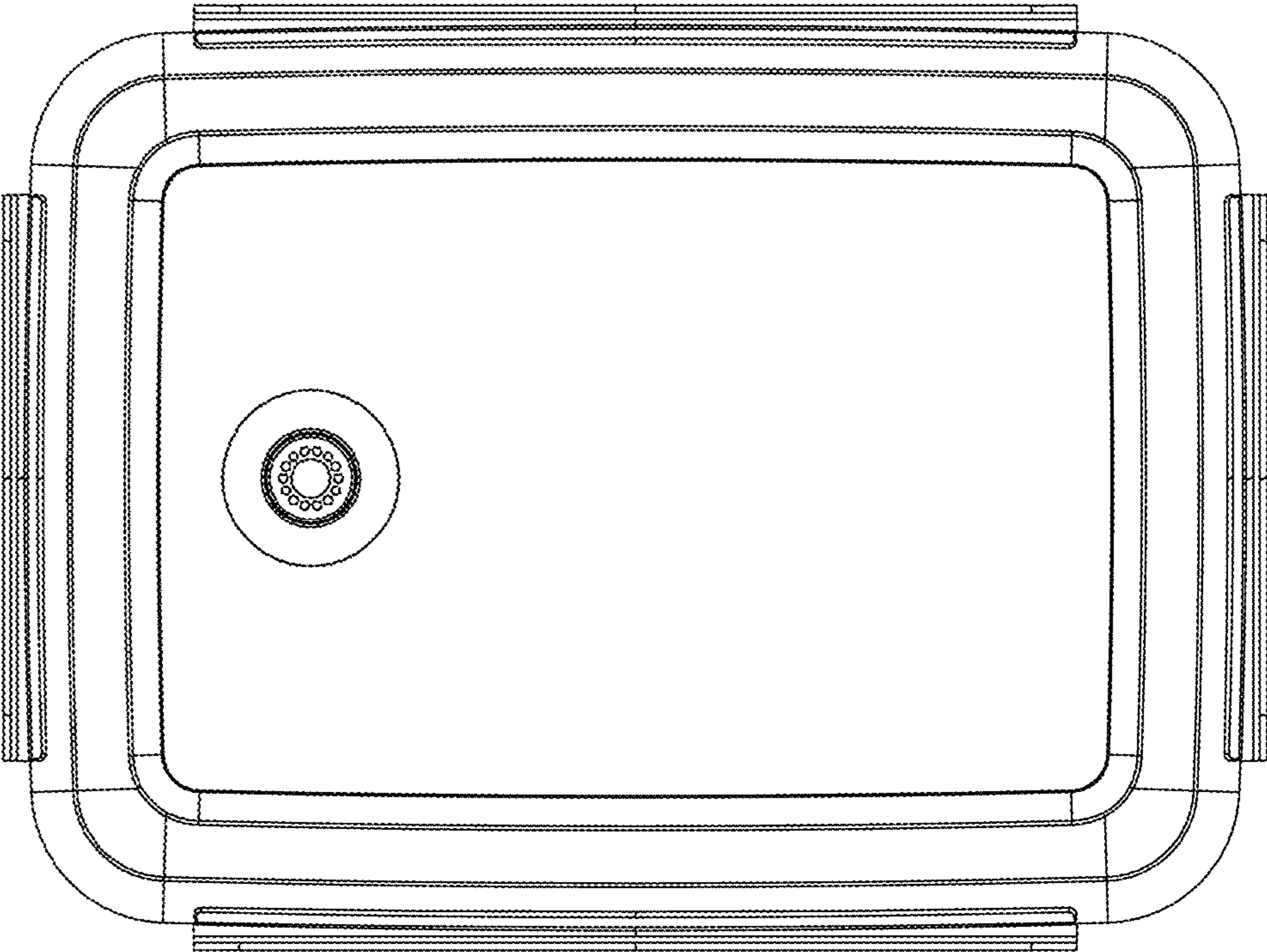


FIG. 4

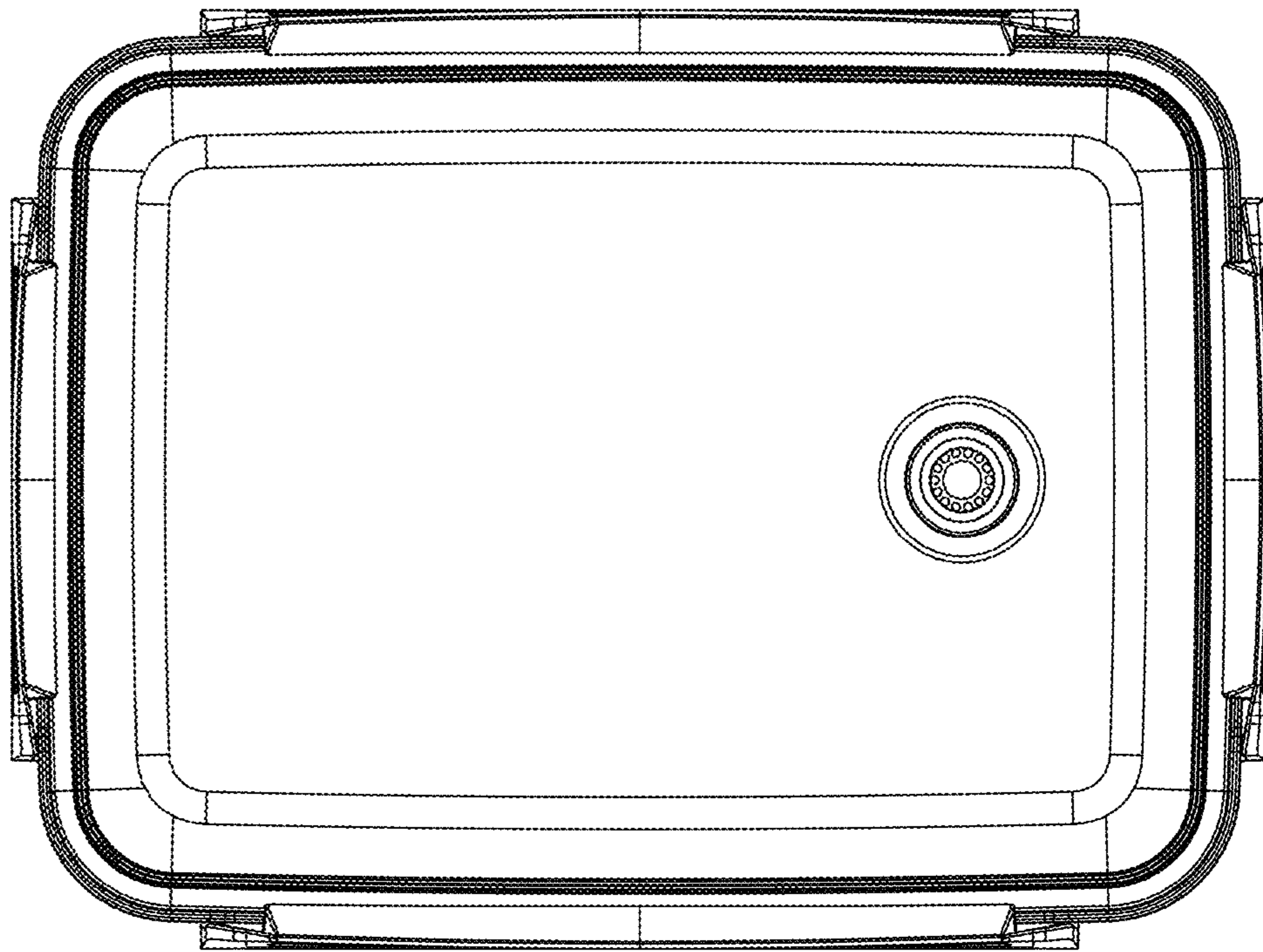


FIG. 5

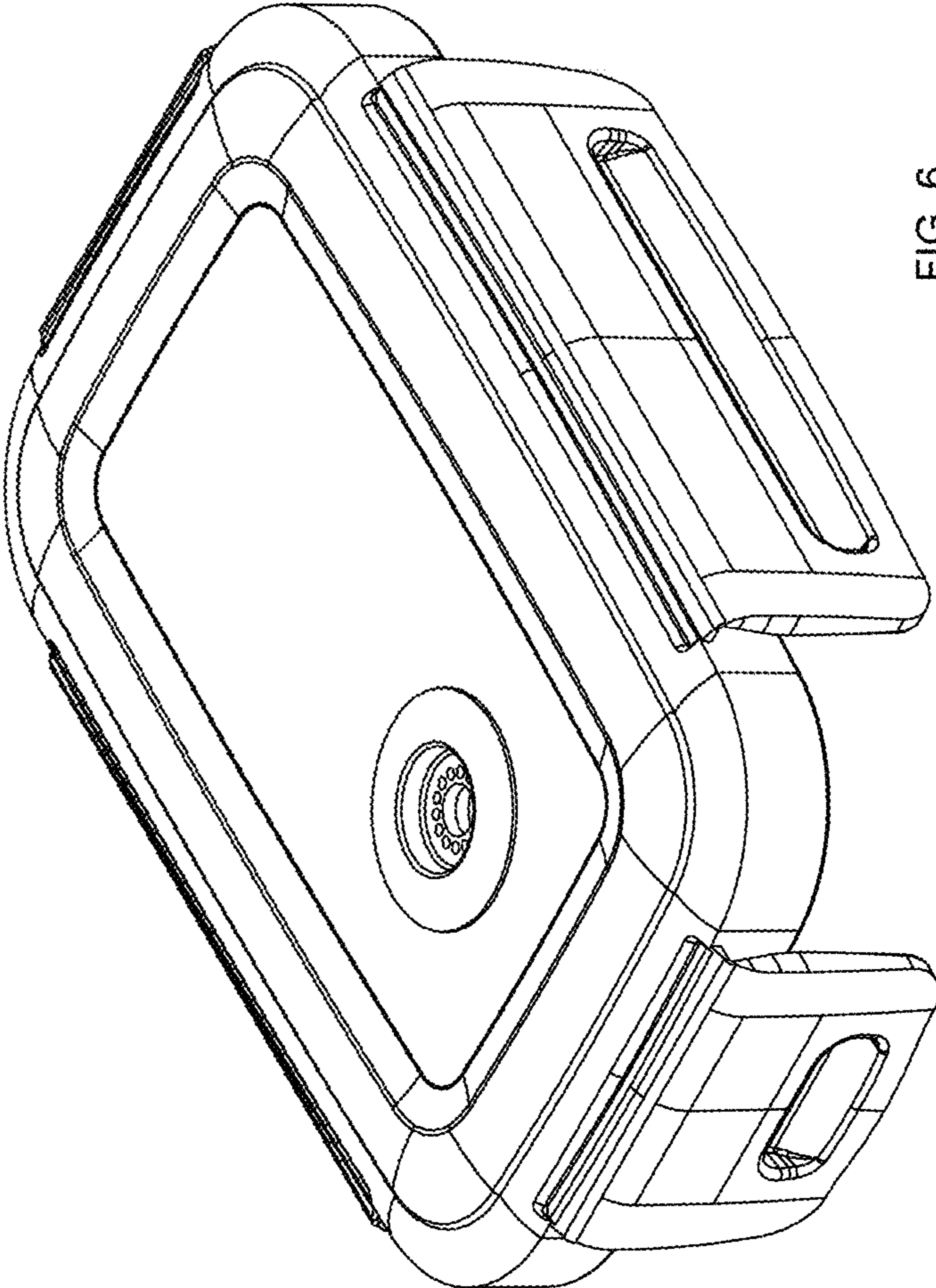


FIG. 6



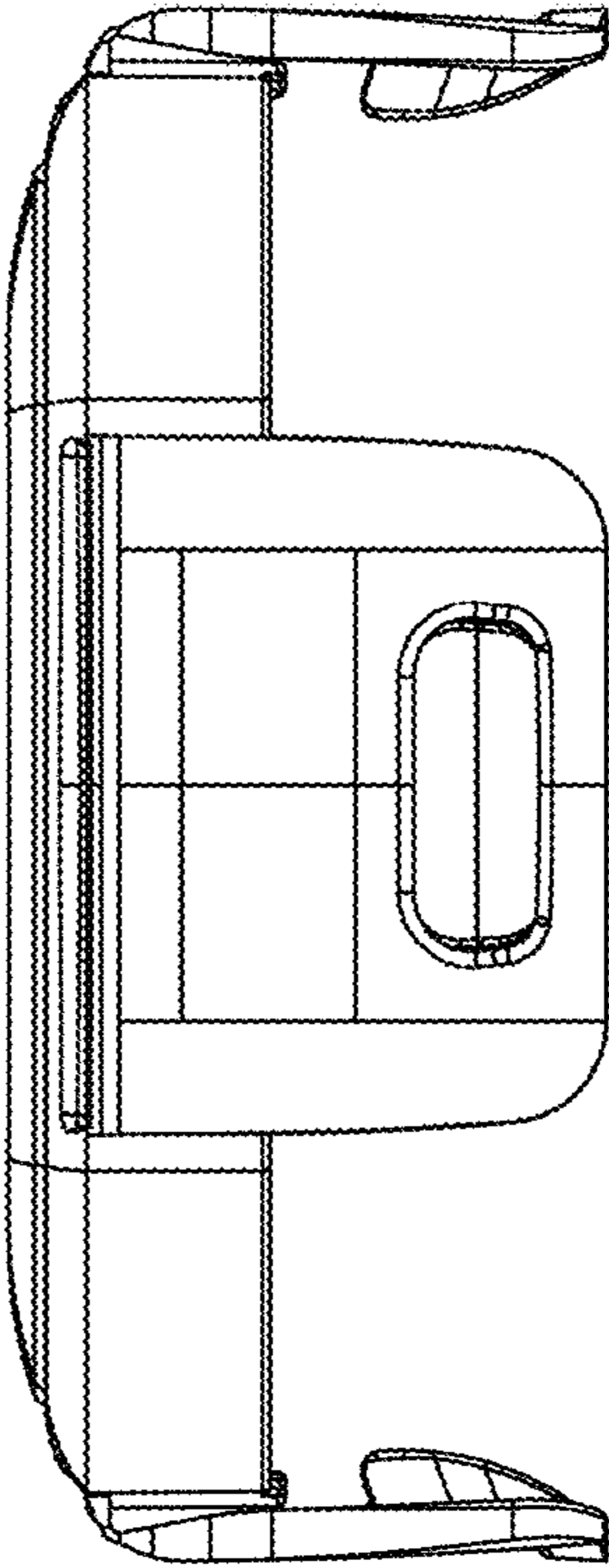


FIG. 7

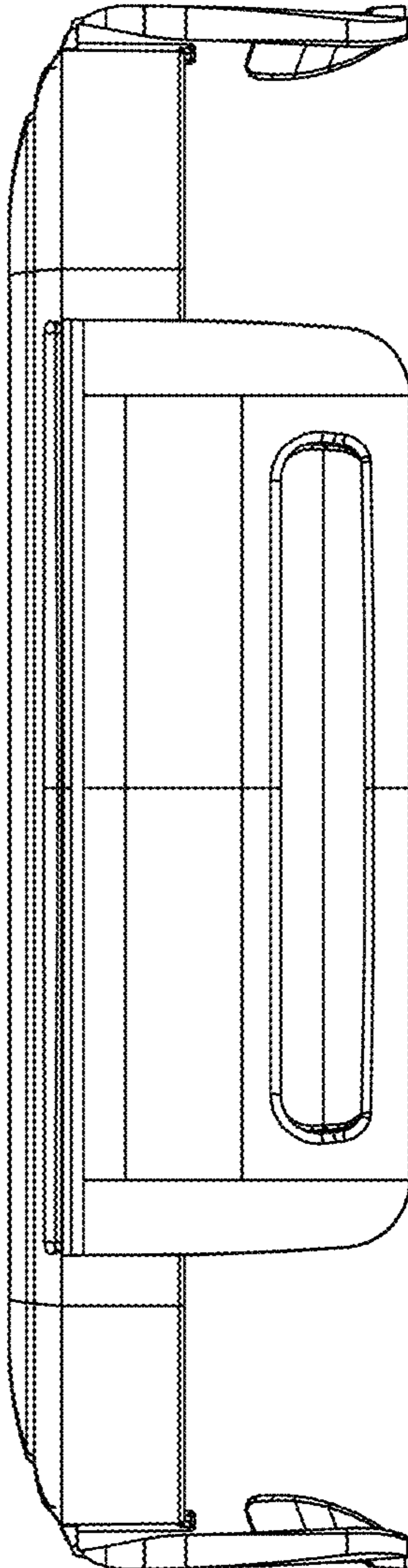


FIG. 8

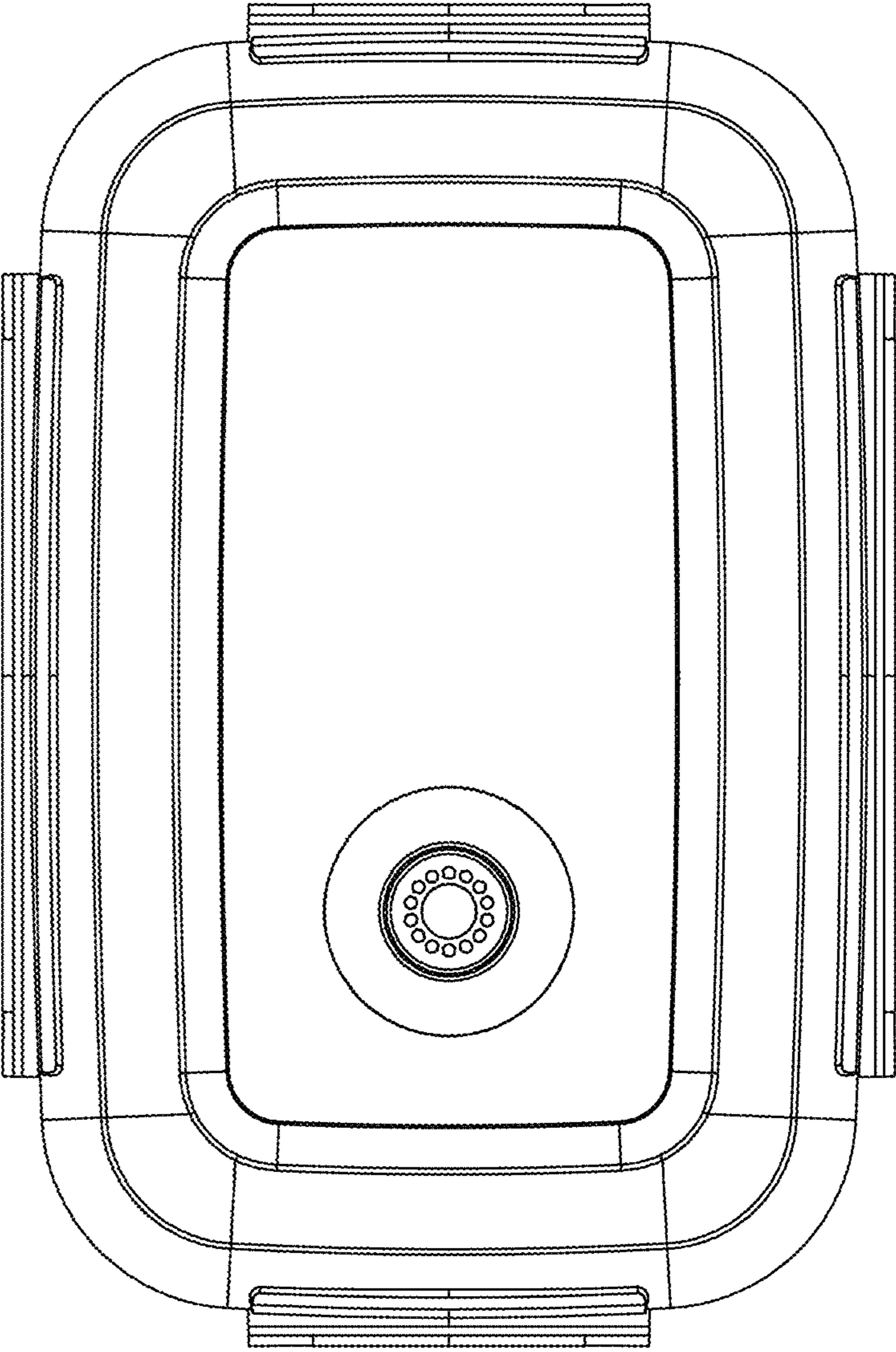


FIG. 9

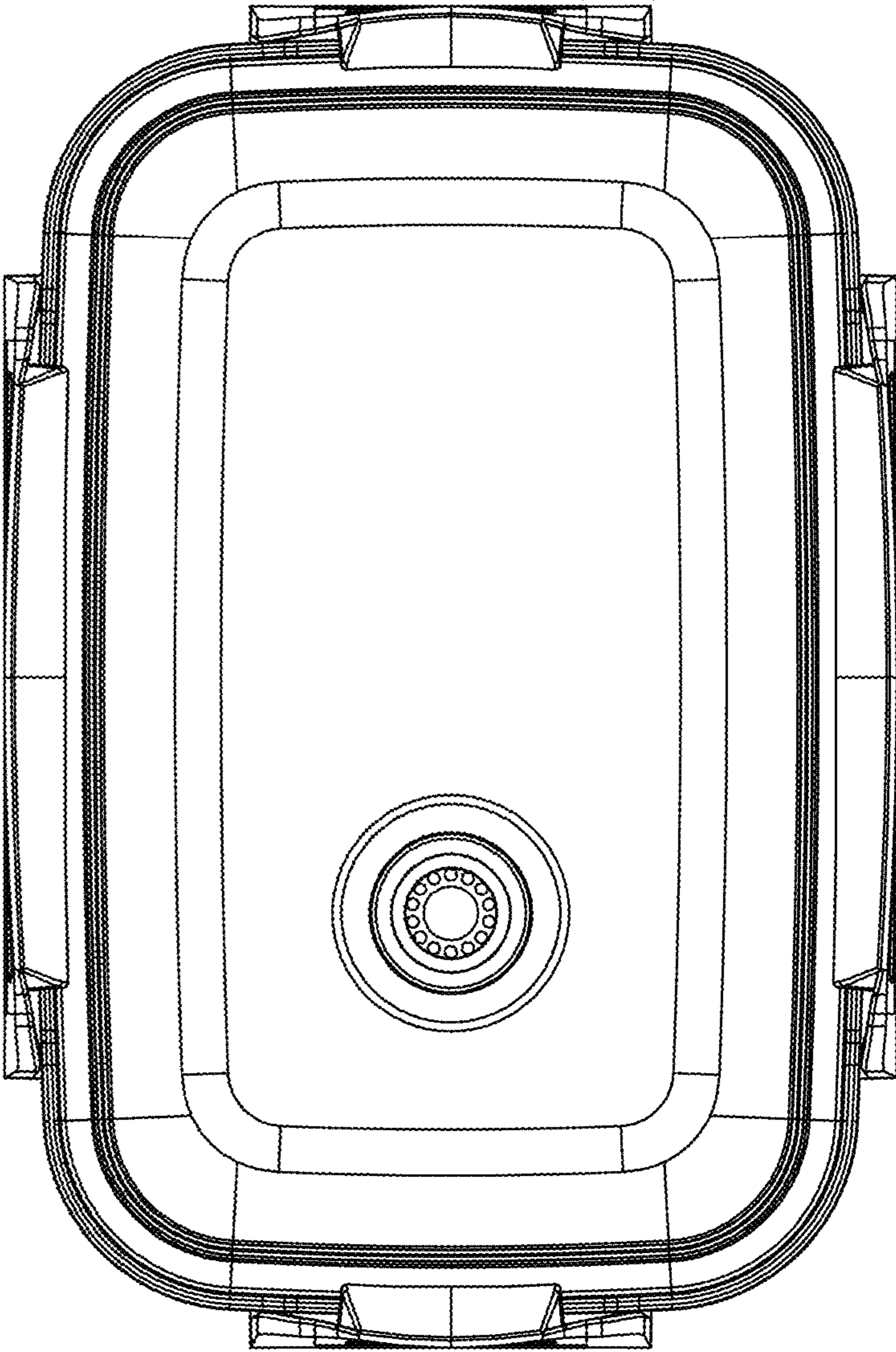


FIG. 10

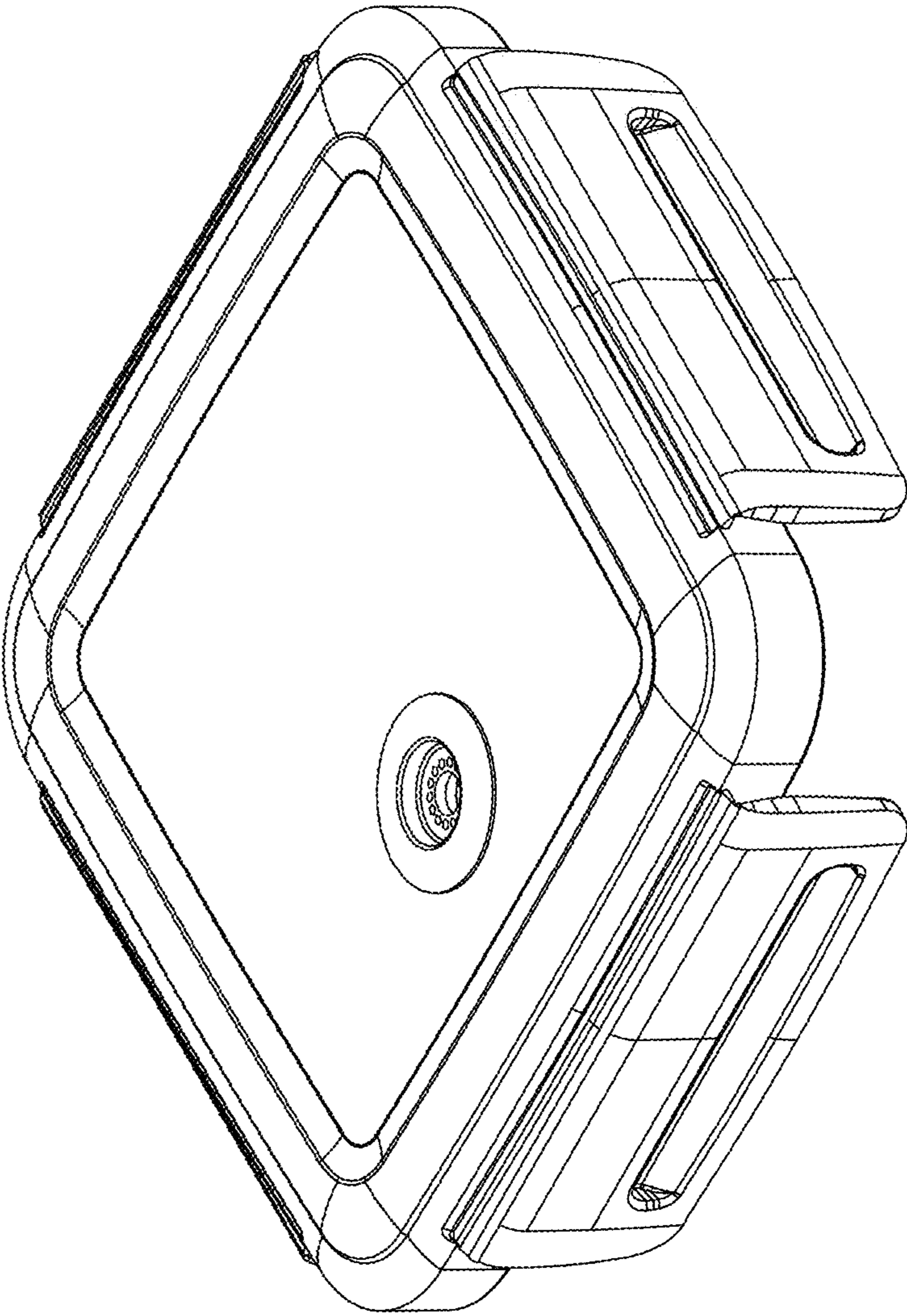


FIG. 11

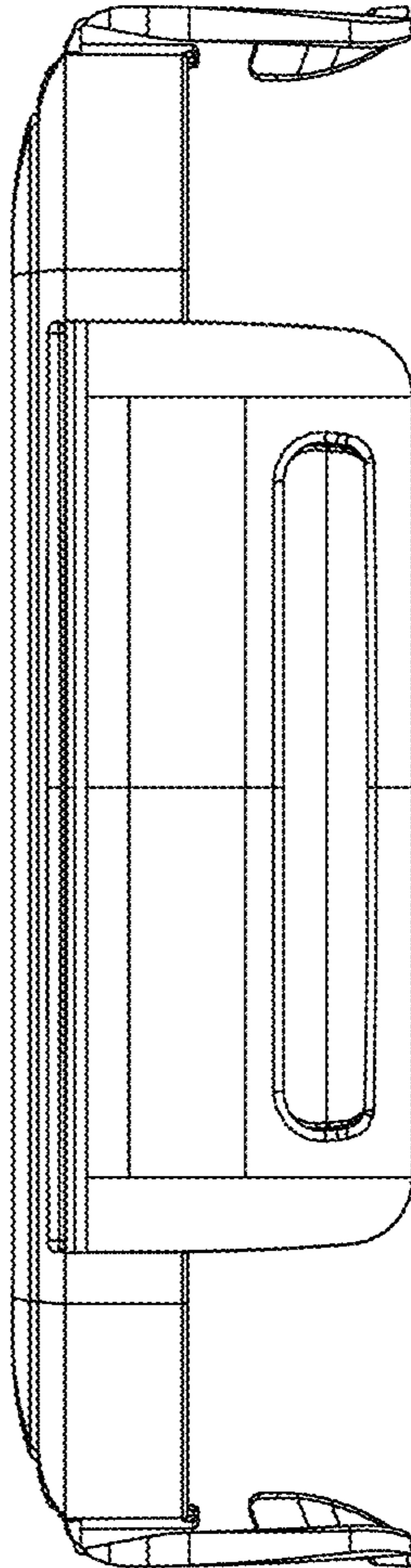


FIG. 12

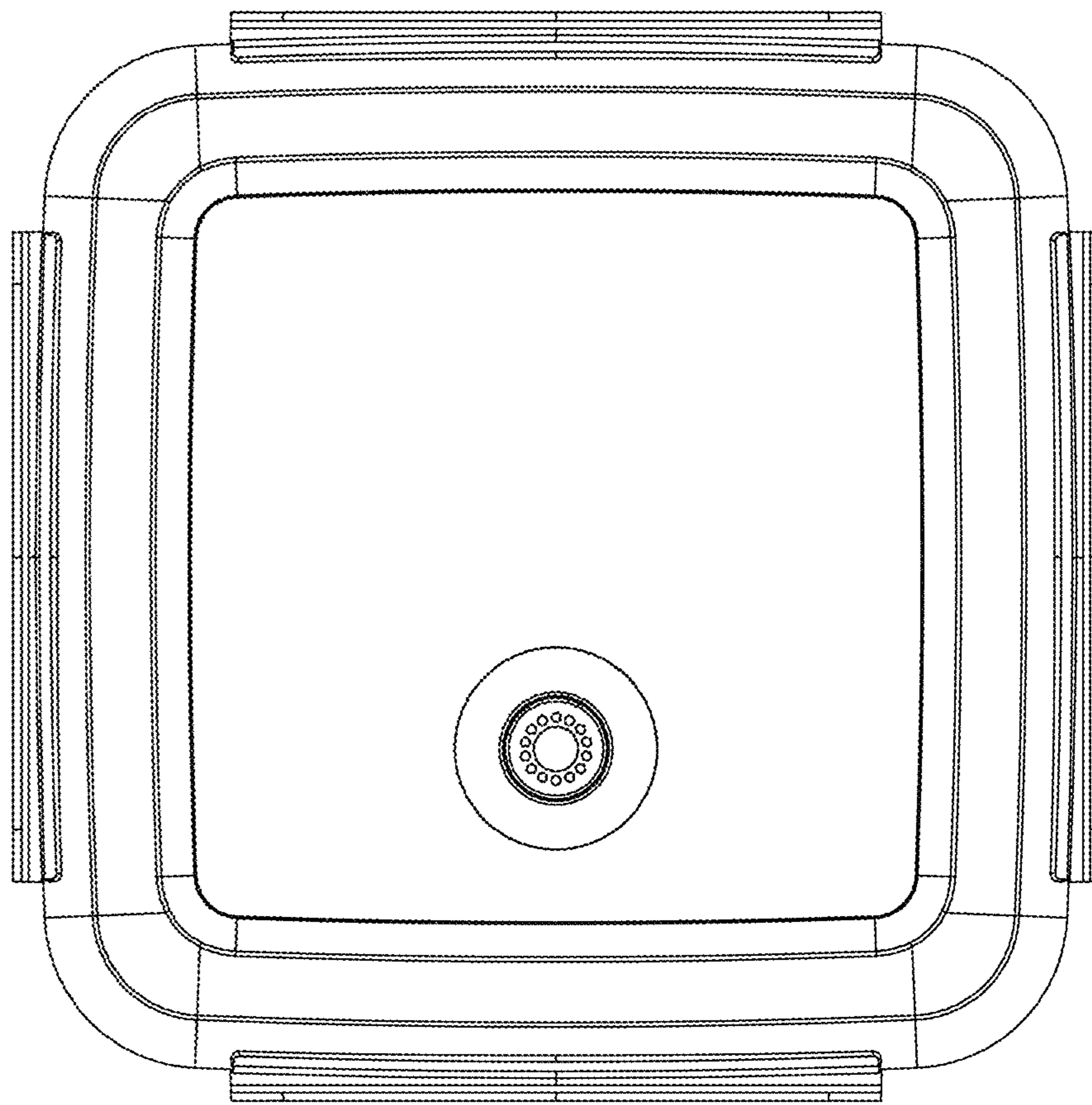


FIG. 13

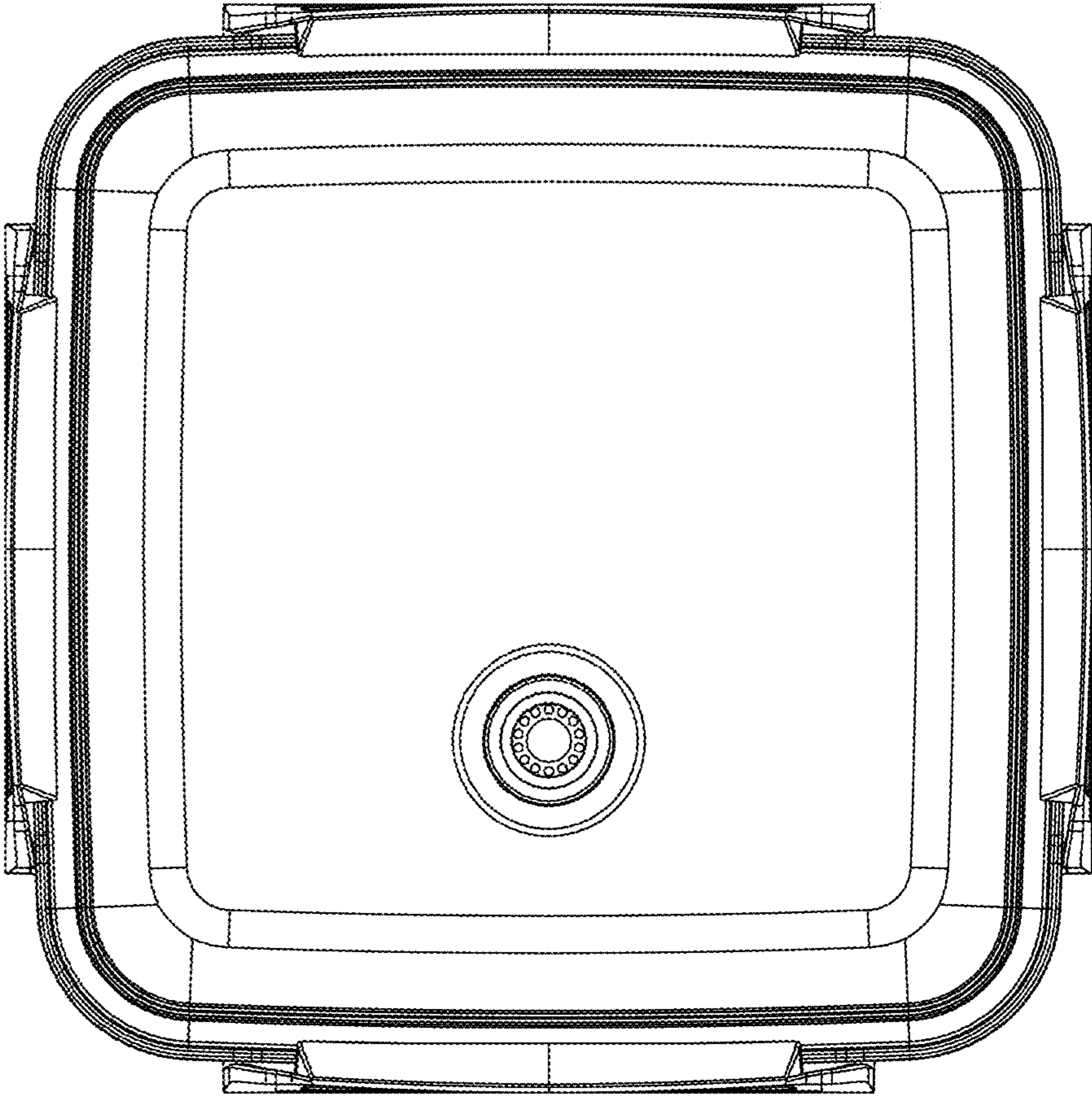


FIG. 14



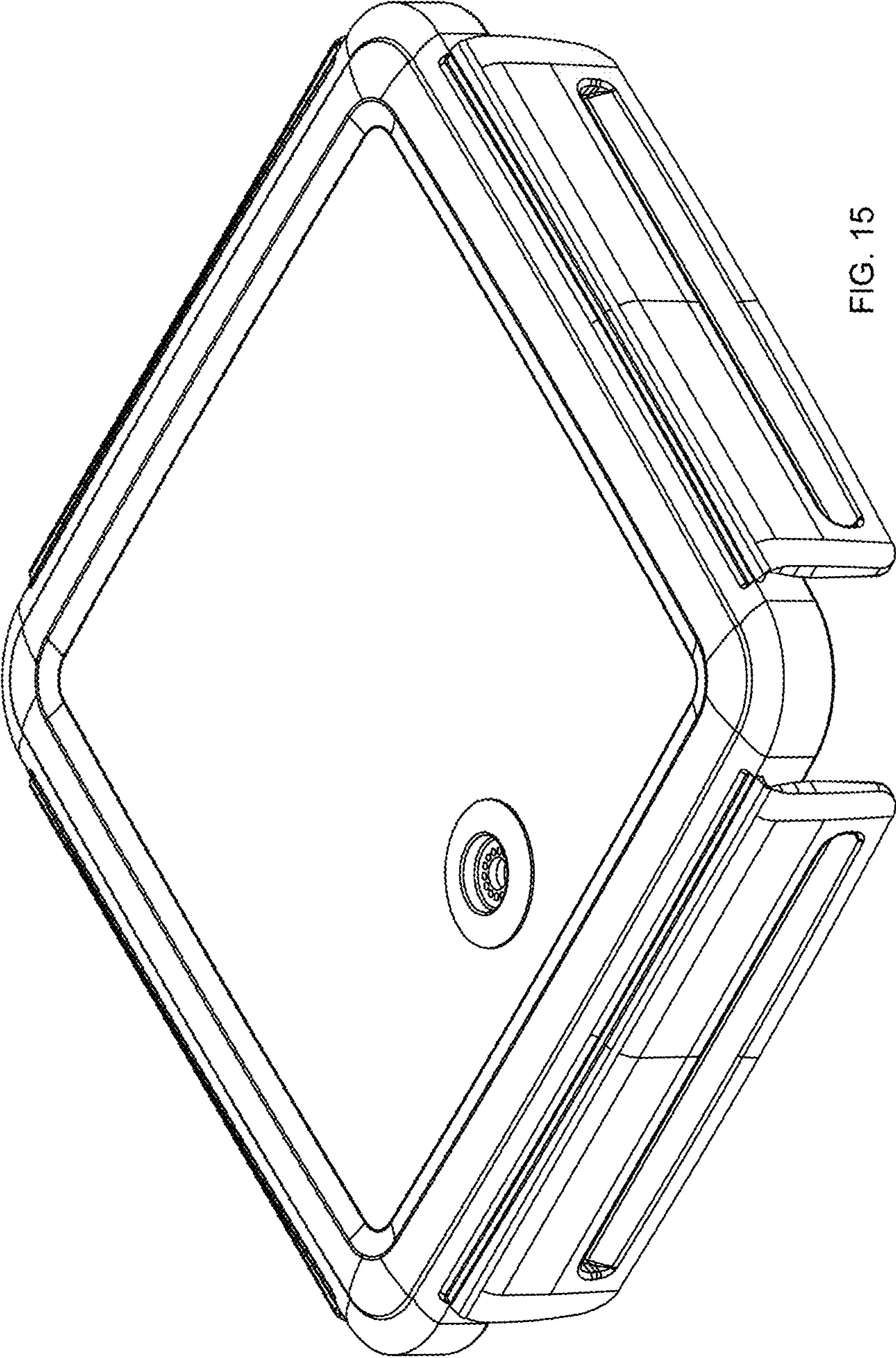


FIG. 15

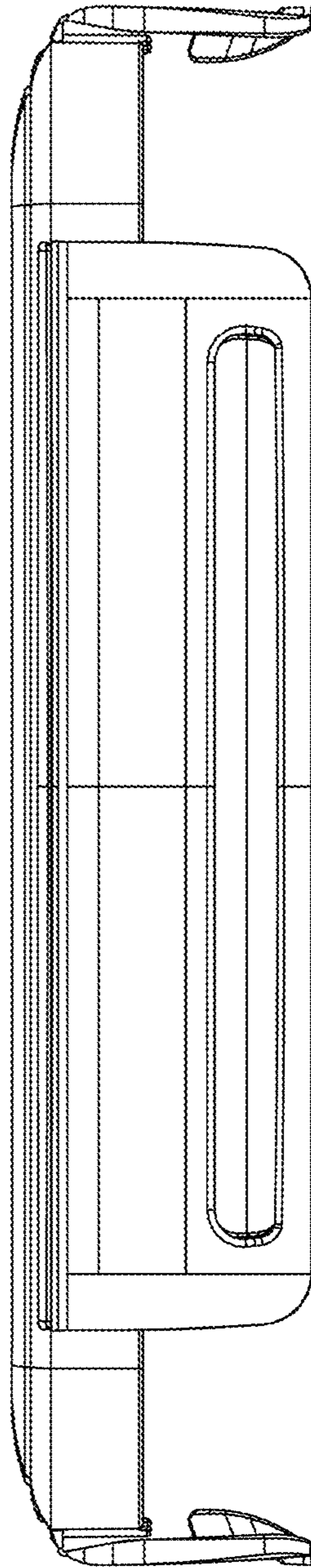


FIG. 16

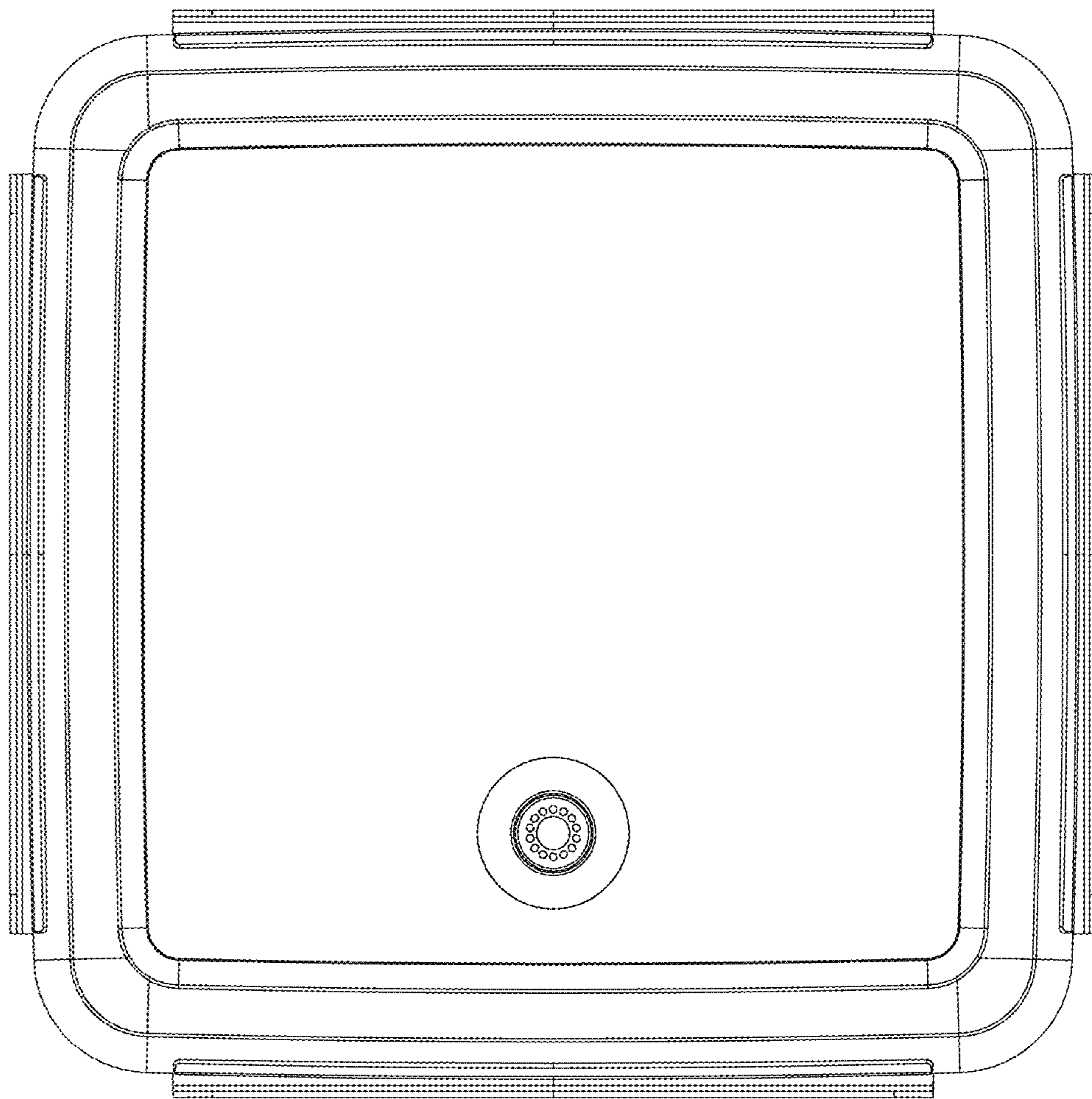


FIG. 17

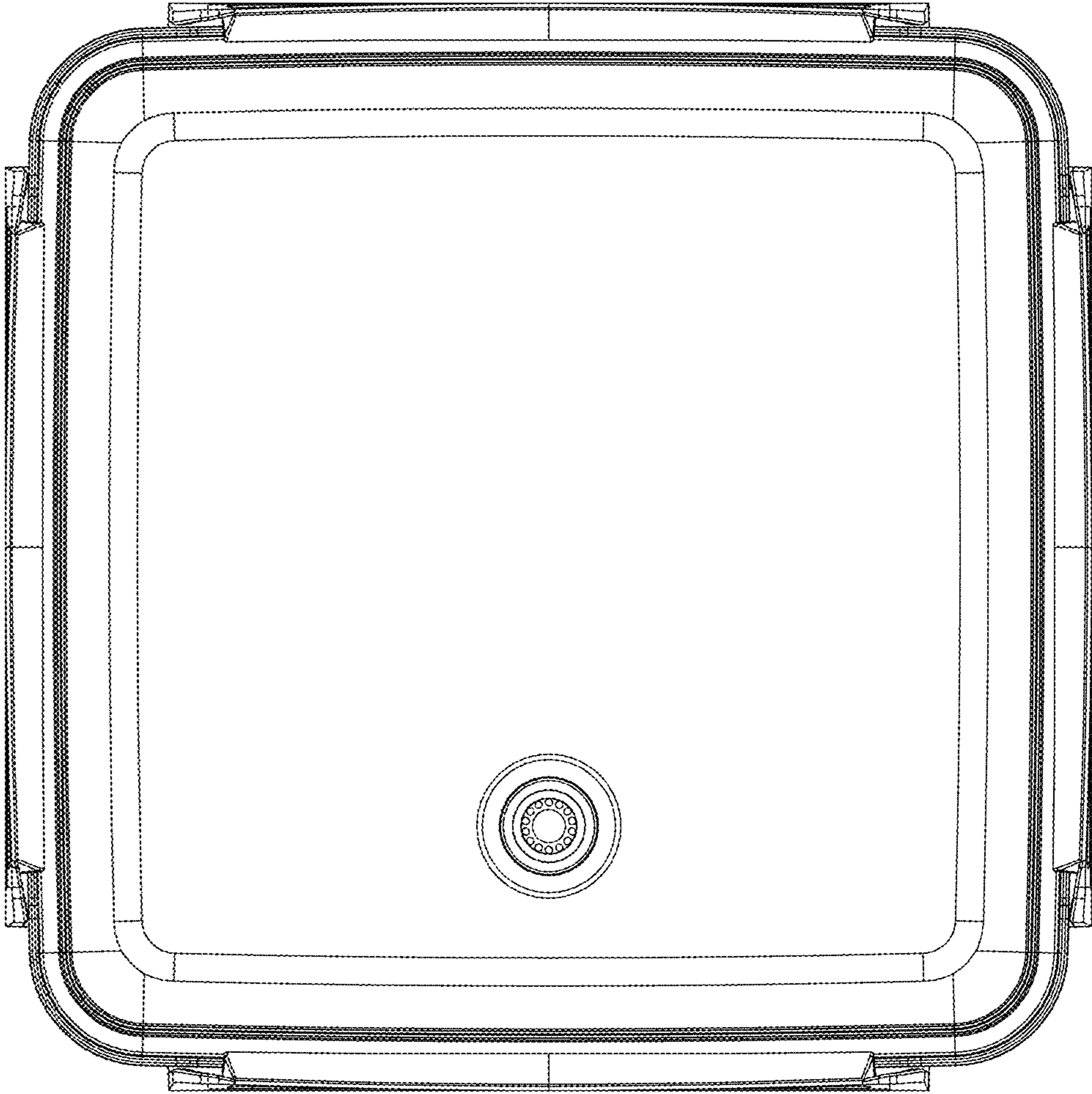


FIG. 18