



US00D700008S

(12) **United States Design Patent**  
**Ehrenhaus**

(10) **Patent No.:** **US D700,008 S**

(45) **Date of Patent:** **\*\* Feb. 25, 2014**

(54) **DEVICE FOR MAKING WHIPPED CREAM**

(56) **References Cited**

(71) Applicant: **Hutzler Manufacturing Co., Inc.**,  
Canaan, CT (US)

U.S. PATENT DOCUMENTS

(72) Inventor: **Richard Ehrenhaus**, White Plains, NY  
(US)

1,174,828	A	*	3/1916	Copeland	.....	366/256
D181,143	S	*	10/1957	Gundelfinger	.....	D7/376
4,737,036	A	*	4/1988	Offermann	.....	366/130
5,461,968	A	*	10/1995	Portman	.....	99/287
D372,627	S	*	8/1996	Ireland	.....	D7/319
D382,764	S	*	8/1997	Brady	.....	D7/317
5,780,087	A	*	7/1998	Brady	.....	426/474
5,939,122	A	*	8/1999	Brady	.....	426/474
D426,742	S	*	6/2000	Gartz et al.	.....	D7/376
D449,957	S	*	11/2001	Yeh	.....	D7/319
D463,946	S	*	10/2002	Yeh	.....	D7/309
D559,034	S	*	1/2008	Bodum	.....	D7/376
D571,610	S	*	6/2008	Bodum	.....	D7/399

(73) Assignee: **Hutzler Manufacturing Co., Inc.**,  
Canaan, CT (US)

(\*\*) Term: **14 Years**

\* cited by examiner

(21) Appl. No.: **29/452,886**

(22) Filed: **Apr. 23, 2013**

Primary Examiner — Ricky Pham

(51) **LOC (10) Cl.** ..... **31-00**

(74) *Attorney, Agent, or Firm* — Michael J. Striker

(52) **U.S. Cl.**  
USPC ..... **D7/376; D7/378**

(57) **CLAIM**

(58) **Field of Classification Search**

The ornamental design for a device for making whipped cream, as shown and described.

USPC ..... D7/301–313, 316–326, 354–357, 368,  
D7/372–386, 391–399, 402, 412–415, 503,  
D7/515, 543, 584–587, 607, 665–666, 679,  
D7/691–693; 99/280, 287, 326, 348, 492,  
99/508–512; 241/30–37.5, 82.1, 92, 98,  
241/101.01–101.2, 166–169.1, 172, 272,  
241/282.2, 285.1–285.3, 291, 292.1;  
366/64–67, 98, 129–130, 142–144,  
366/169.1, 192–211, 241–256, 262,  
366/279–292, 314, 325.8, 325.92,  
366/341–347; 416/75–77, 70 R, 163;  
426/474

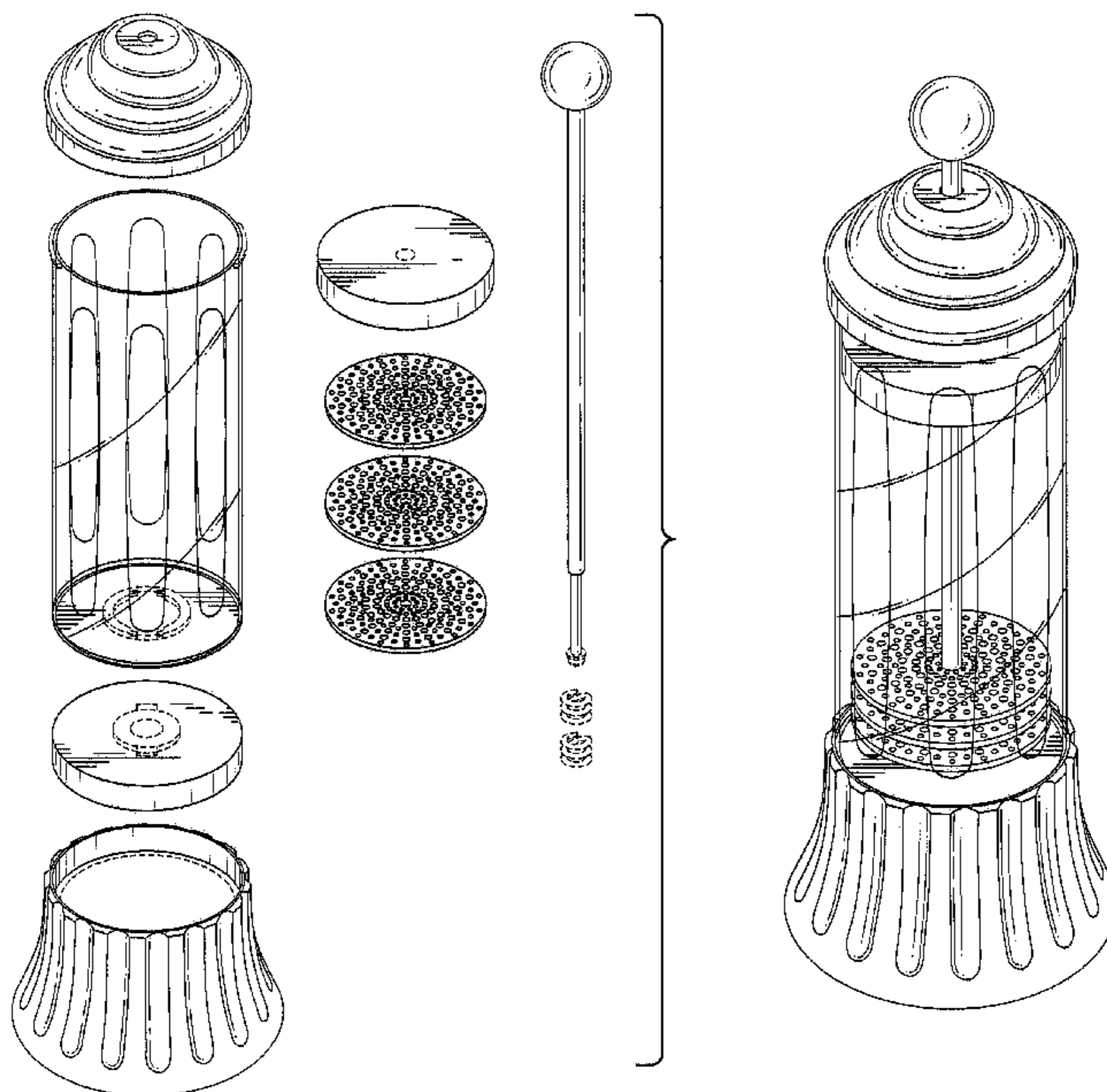
**DESCRIPTION**

FIG. 1 is an exploded perspective view of a device for making whipped cream;  
FIG. 2 is a front exploded view thereof;  
FIG. 3 is a rear exploded view thereof;  
FIG. 4 is a left side exploded view thereof;  
FIG. 5 is a right side exploded view thereof;  
FIG. 6 is an exploded top plan view thereof;  
FIG. 7 is a bottom exploded view thereof;  
FIG. 8 is a perspective view thereof; and,  
FIG. 9 is a front elevation view thereof.

The broken lines shown in the drawings are for illustrative purposes only and form no part of the claimed design.

See application file for complete search history.

**1 Claim, 9 Drawing Sheets**



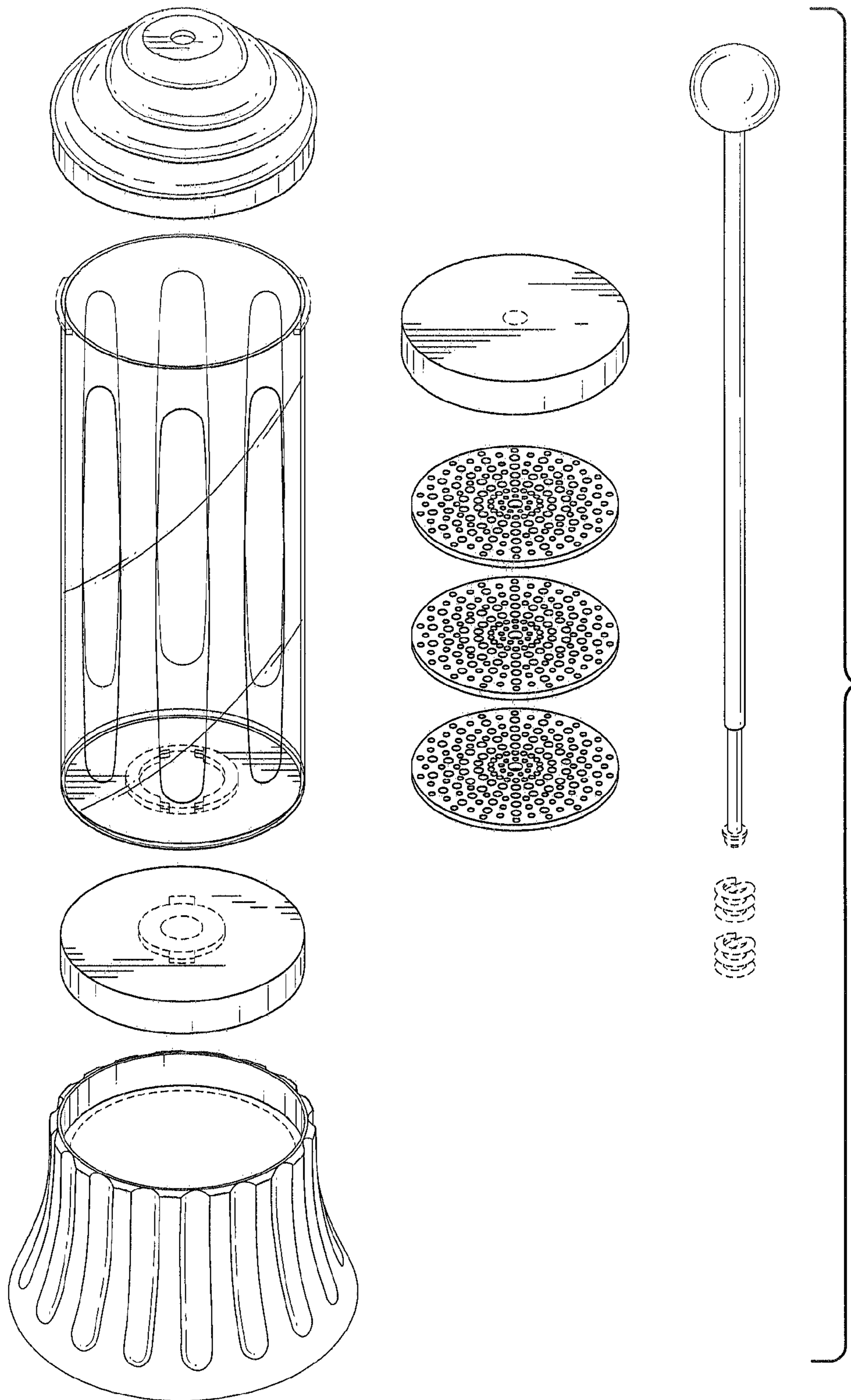


FIG. 1

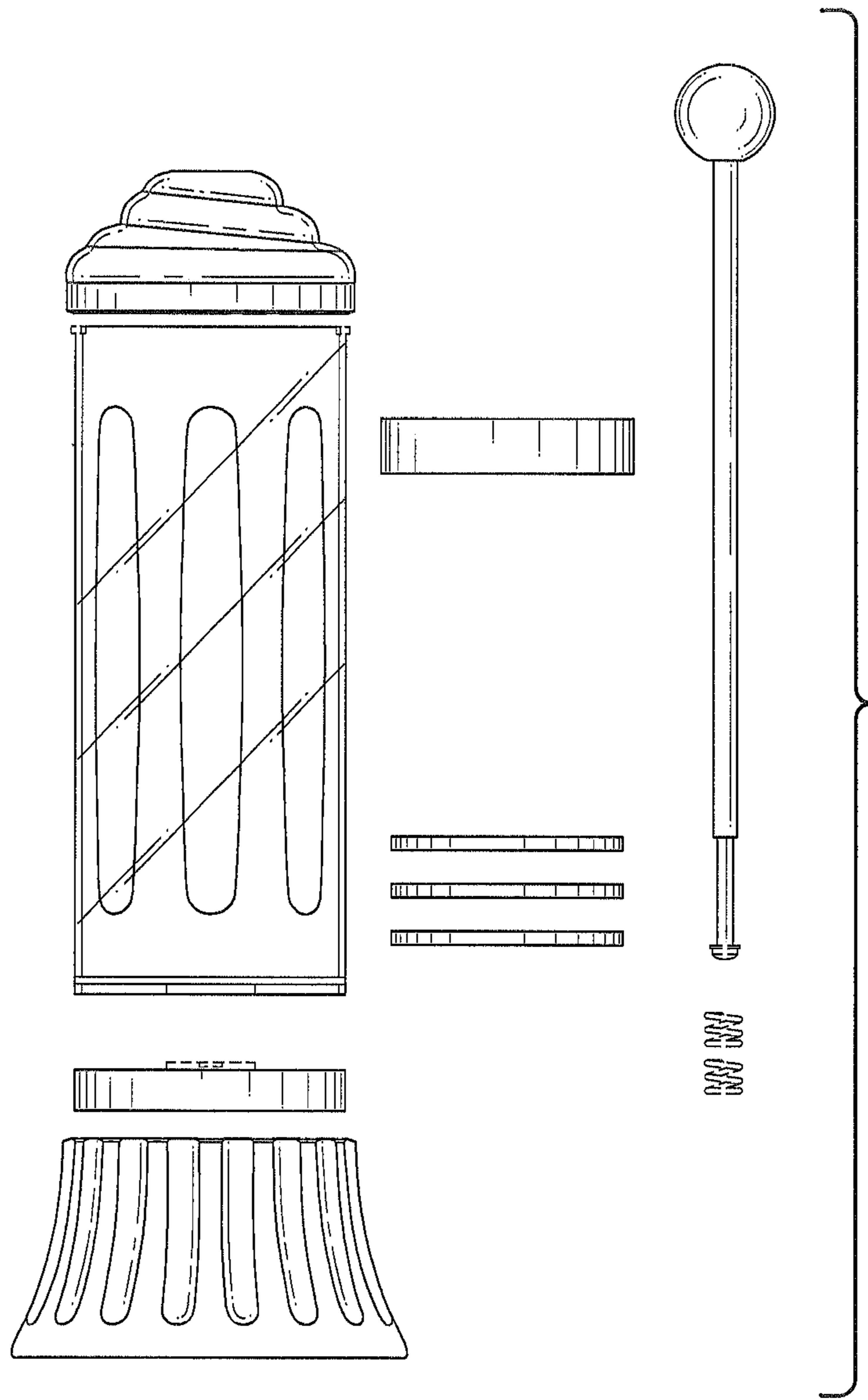


FIG.2

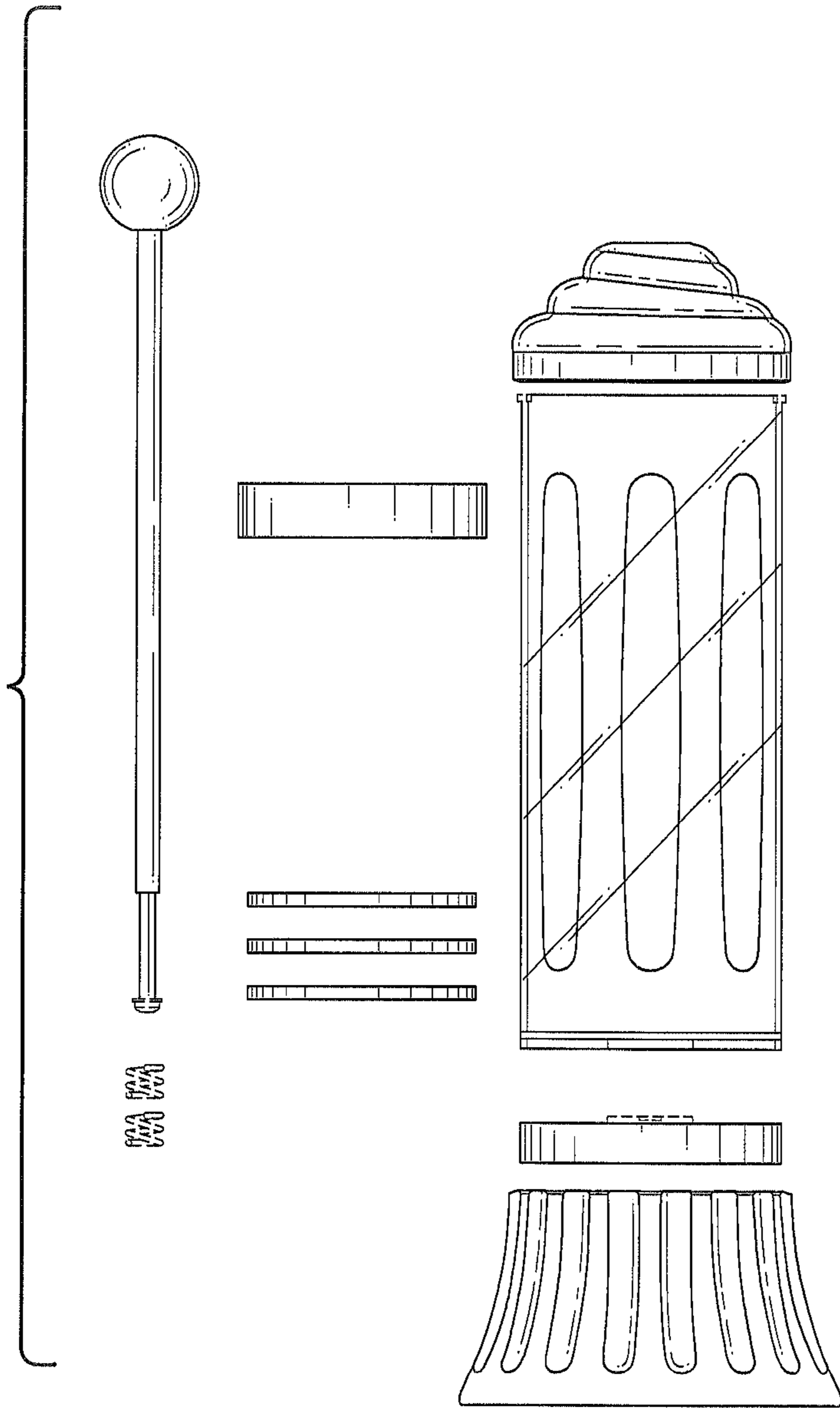
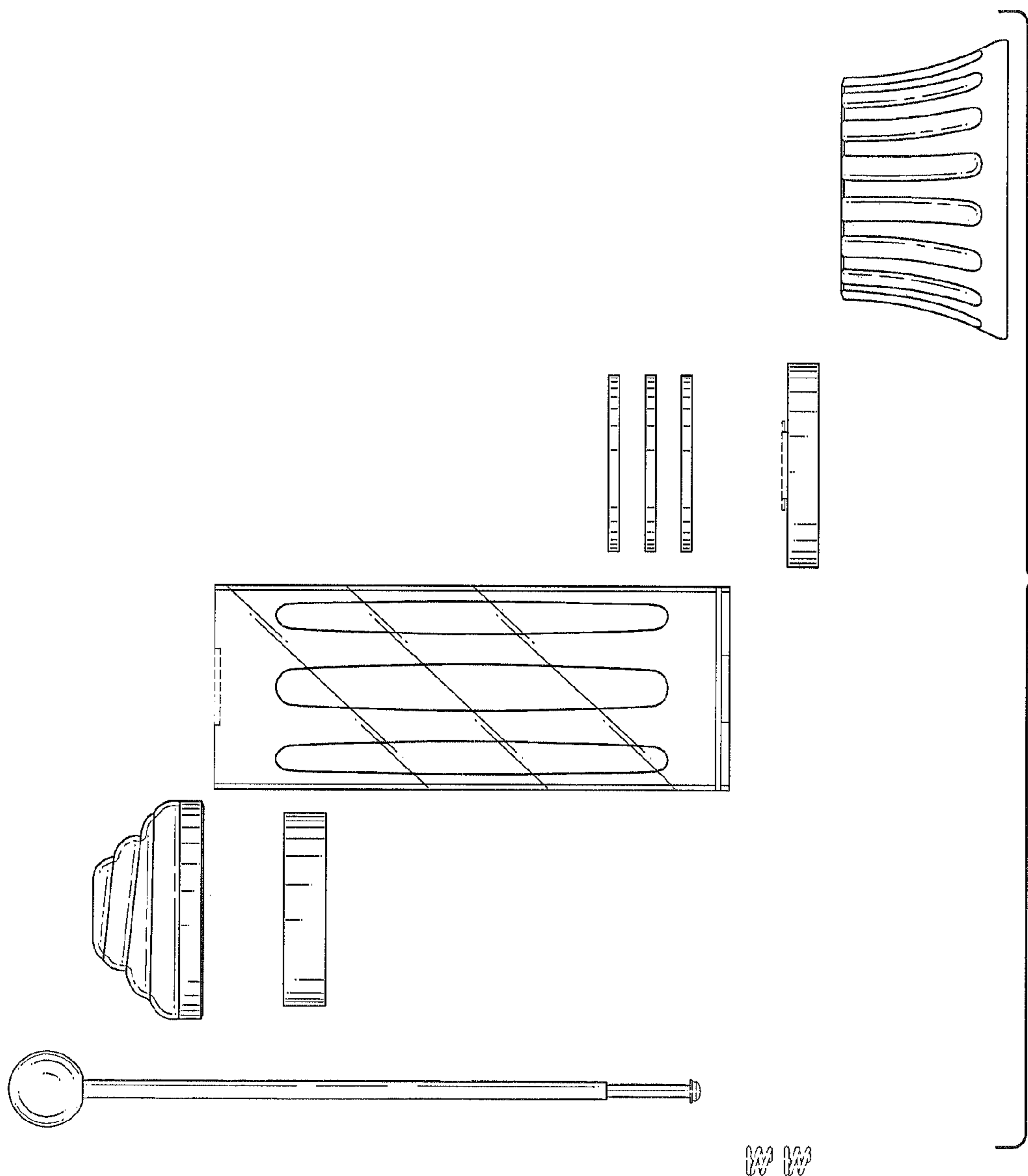
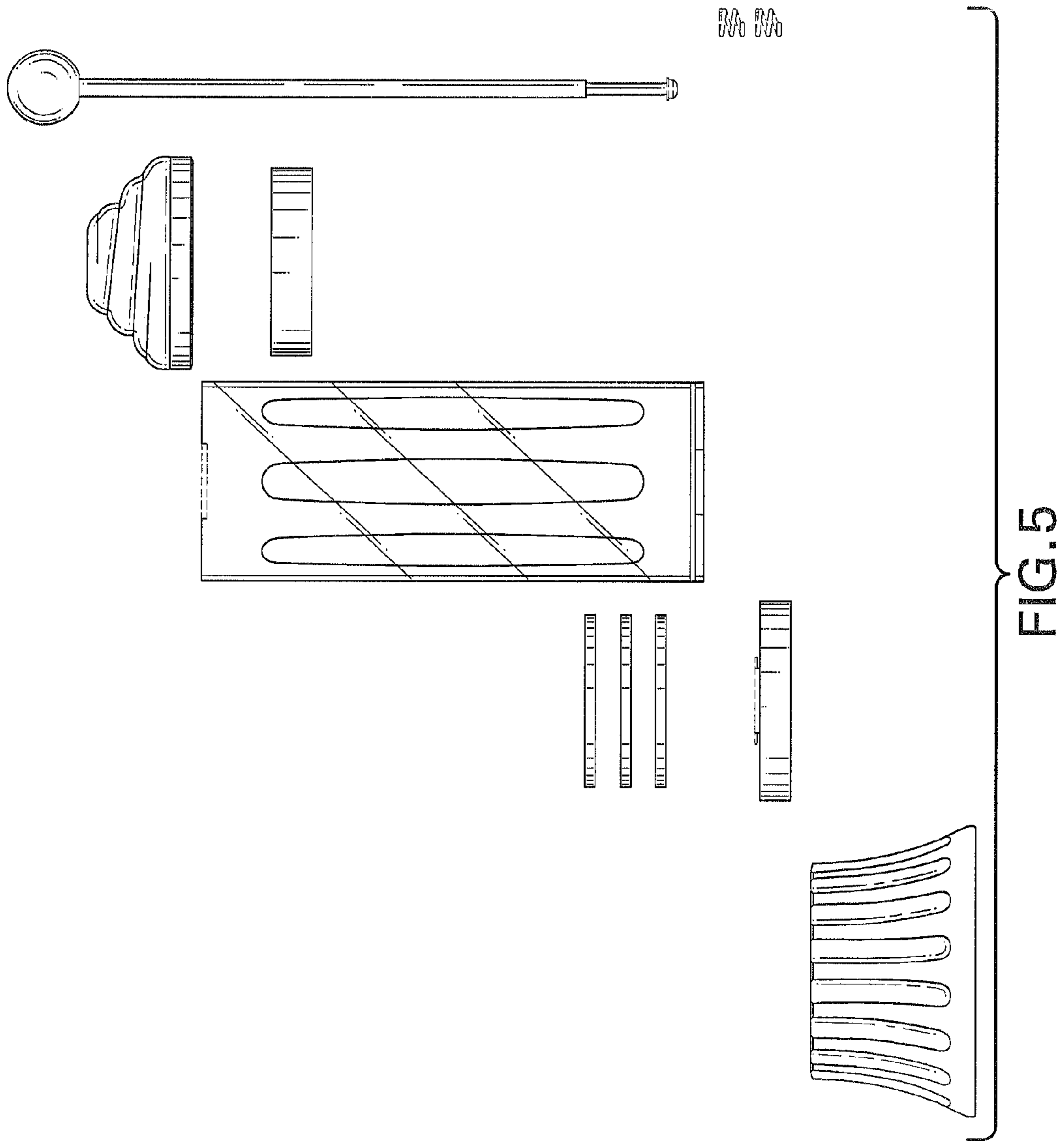
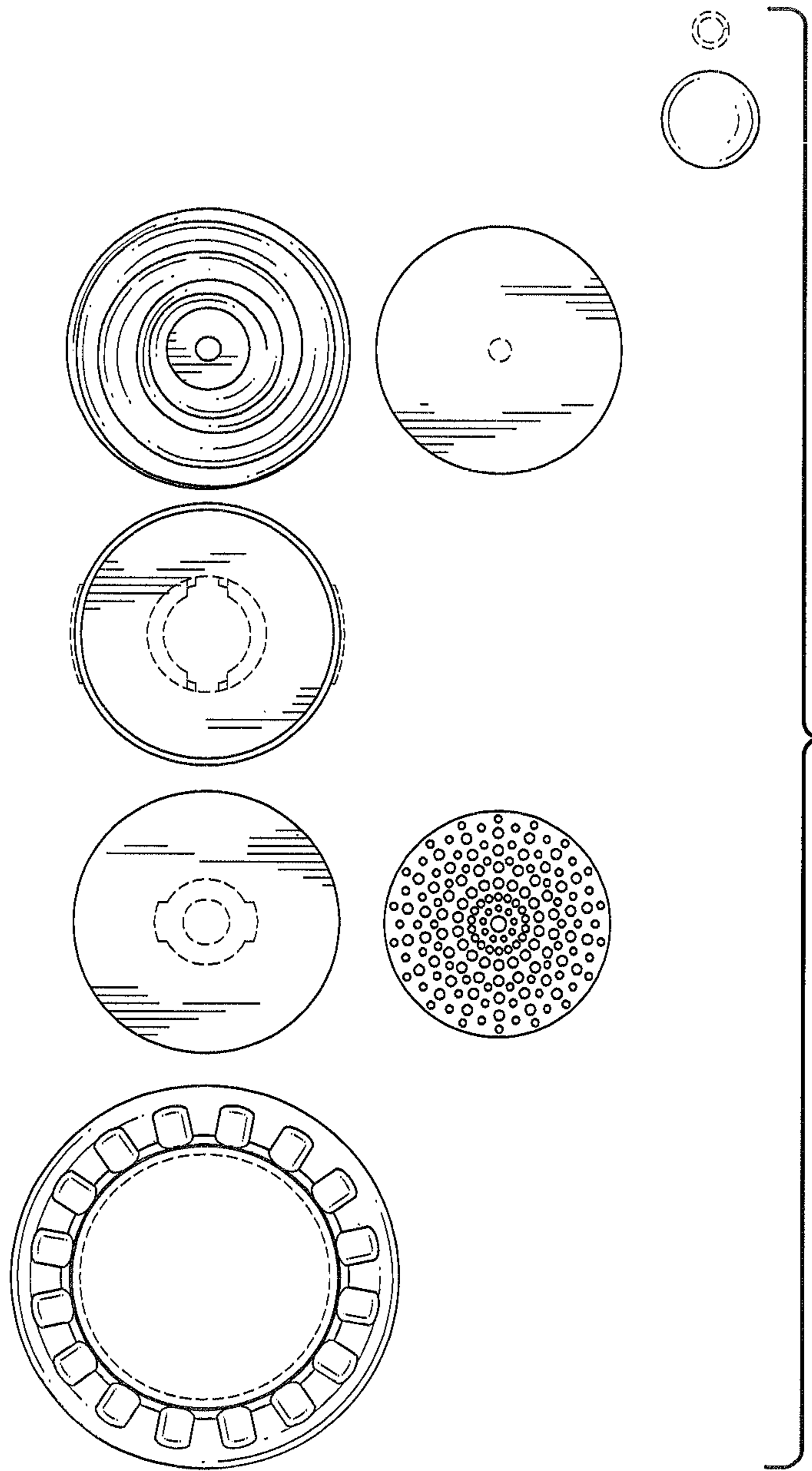


FIG.3







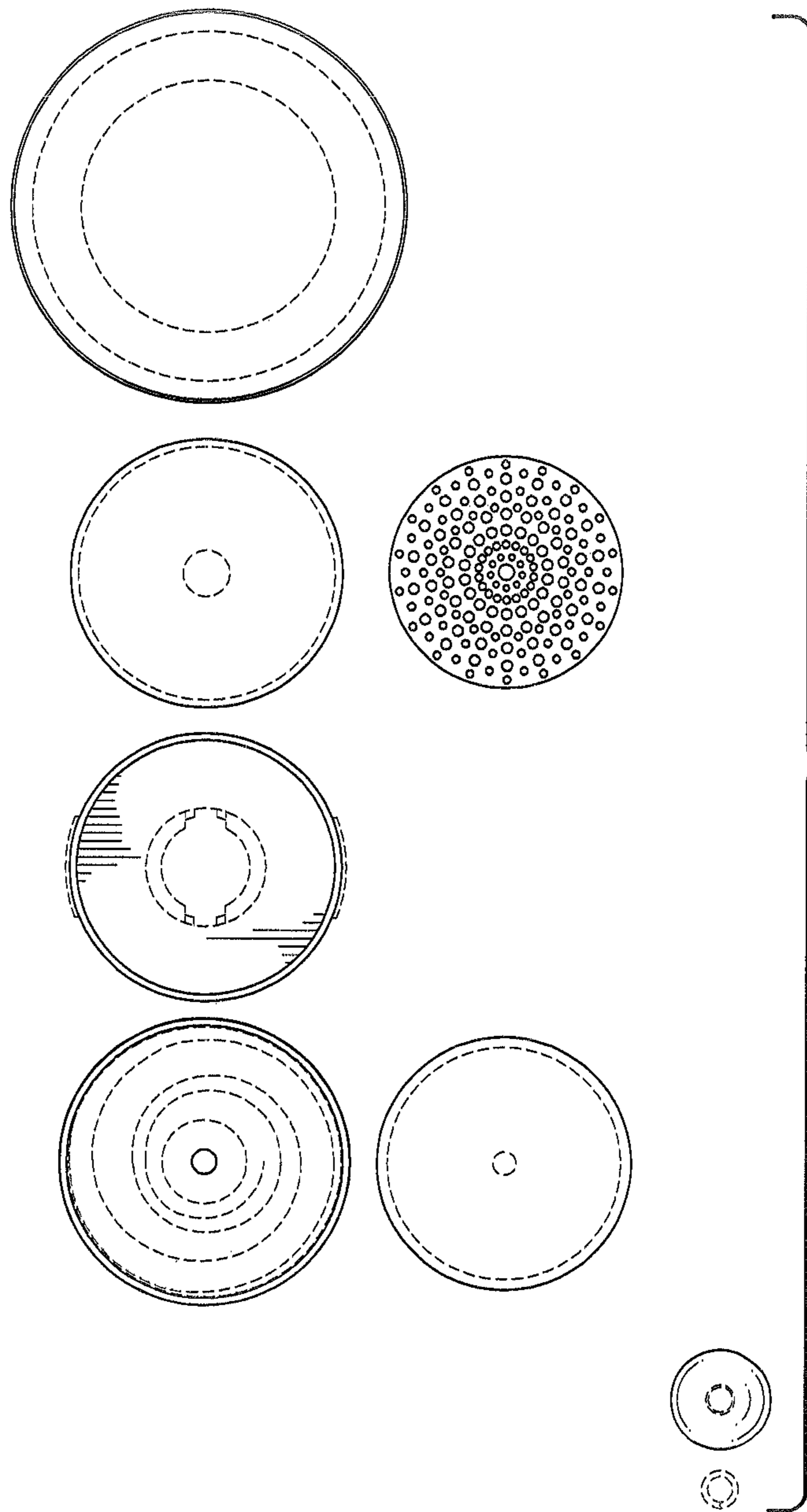


FIG. 7



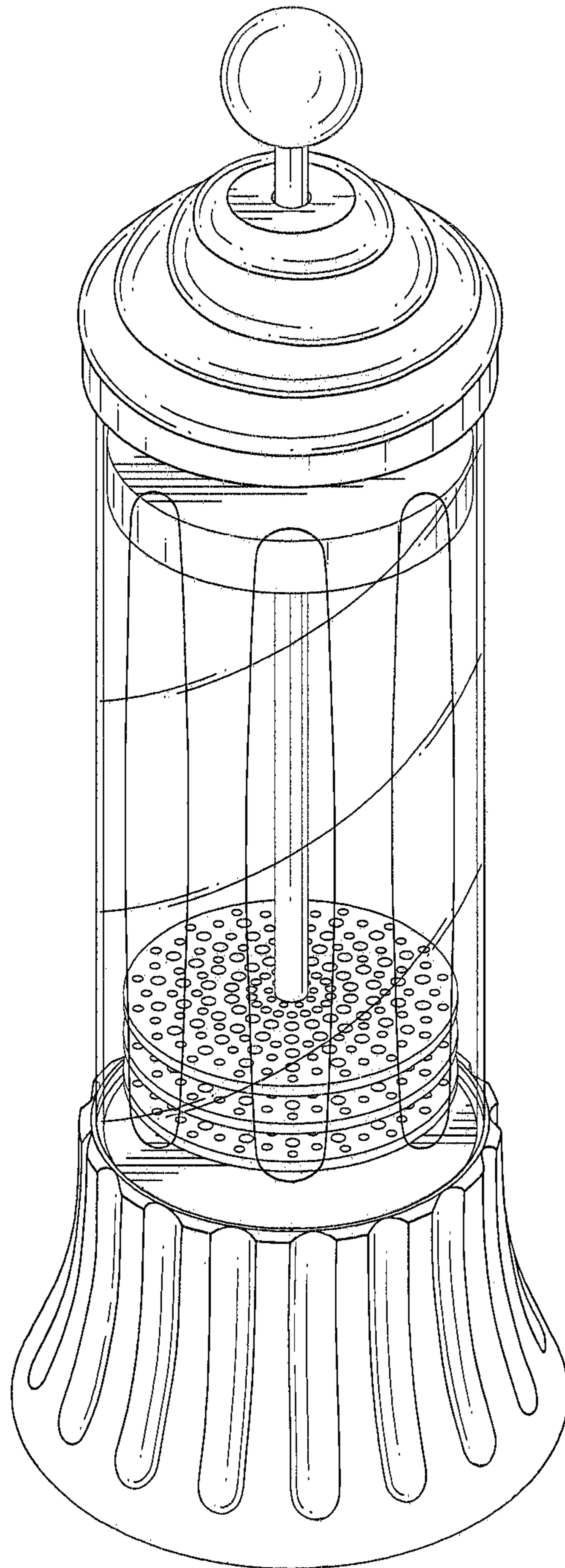


FIG. 8

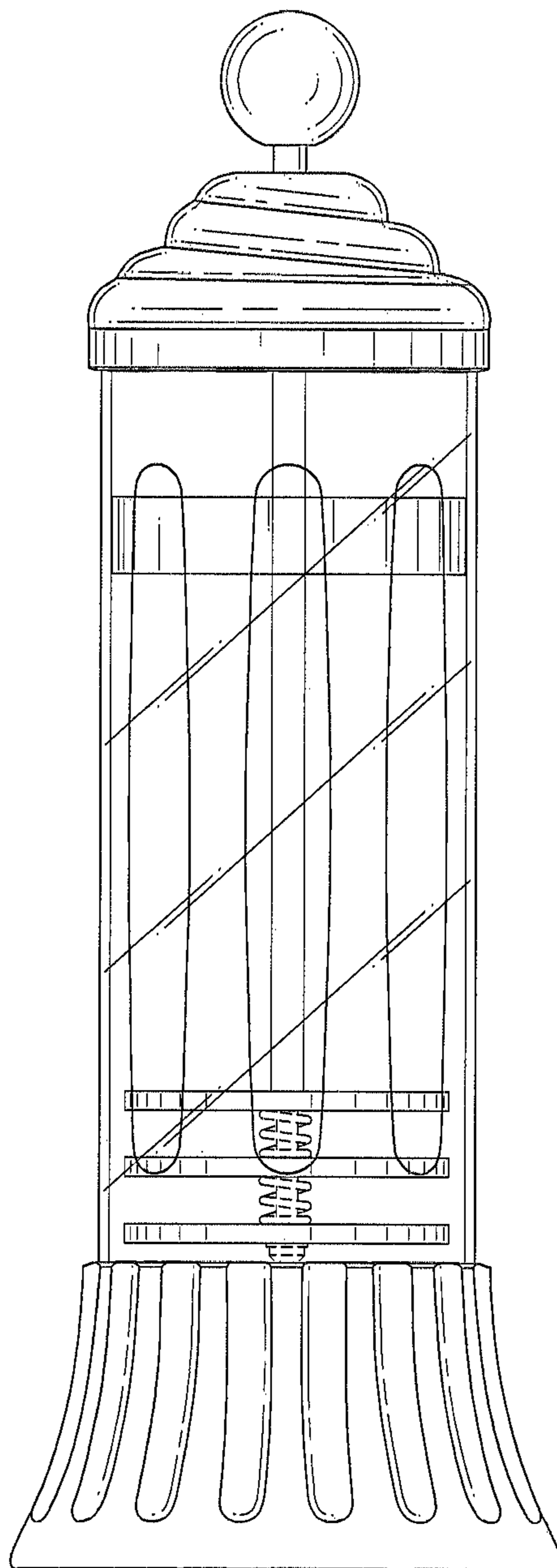


FIG. 9