



US00D700006S

(12) **United States Design Patent**
Braune et al.

(10) **Patent No.:** **US D700,006 S**

(45) **Date of Patent:** **** Feb. 25, 2014**

(54) **COFFEE GRINDER**

(71) Applicant: **Bernd Braune**, Unterhaching (DE)

(72) Inventors: **Raphael Braune**, Unterhaching (DE);
Bernd Braune, Unterhaching (DE);
Gerhard Scherbinski-Von Volkmann,
Muenster (DE)

(73) Assignee: **Bernd Braune**, Unterhaching (DE)

(**) Term: **14 Years**

(21) Appl. No.: **29/448,901**

(22) Filed: **Mar. 14, 2013**

(30) **Foreign Application Priority Data**

Feb. 1, 2013 (EP) 002176917

(51) **LOC (10) Cl.** **31-00**

(52) **U.S. Cl.**
USPC **D7/373**

(58) **Field of Classification Search**
USPC D7/301-313, 316-326, 356-357, 368,
D7/372-386, 391-398, 412-415, 503, 515,
D7/665-666, 679, 691-693; 99/280, 326,
99/348, 492, 508-512; 241/30-37.5, 82.1,
241/92, 98, 101.01-101.2, 166-169.1, 172,
241/272, 285.1-285.3, 291, 292.1;
366/64-67, 98, 129, 142-144, 169.1,
366/192-211, 241-254, 262, 279-292,
366/325.8, 325.92, 341-347; 416/75-77,
416/70 R, 163

See application file for complete search history.

(56) **References Cited**

U.S. PATENT DOCUMENTS

D96,679	S	*	8/1935	Kopf	D7/372
D155,428	S	*	10/1949	Isrin	D7/679
3,371,874	A	*	3/1968	Reeves et al.	241/169.1
5,007,592	A	*	4/1991	Poncy	241/169.1
D361,478	S	*	8/1995	Kinsman et al.	D7/679
D397,919	S	*	9/1998	Chiu	D7/679
D486,702	S	*	2/2004	Sorensen	D7/679
D506,361	S	*	6/2005	Lee	D7/679
D510,844	S	*	10/2005	Chiu	D7/679
D530,993	S	*	10/2006	Kolflat	D7/679
D553,450	S	*	10/2007	Sorensen	D7/679
7,744,026	B2	*	6/2010	Gregory et al.	241/92
2004/0065213	A1	*	4/2004	Cheng	99/510

* cited by examiner

Primary Examiner — Ricky Pham

(74) *Attorney, Agent, or Firm* — Karl F. Milde, Jr.; Eckert
Seamans Cherin & Mellott, LLC

(57) **CLAIM**

The ornamental design for a coffee grinder, as shown and
described.

DESCRIPTION

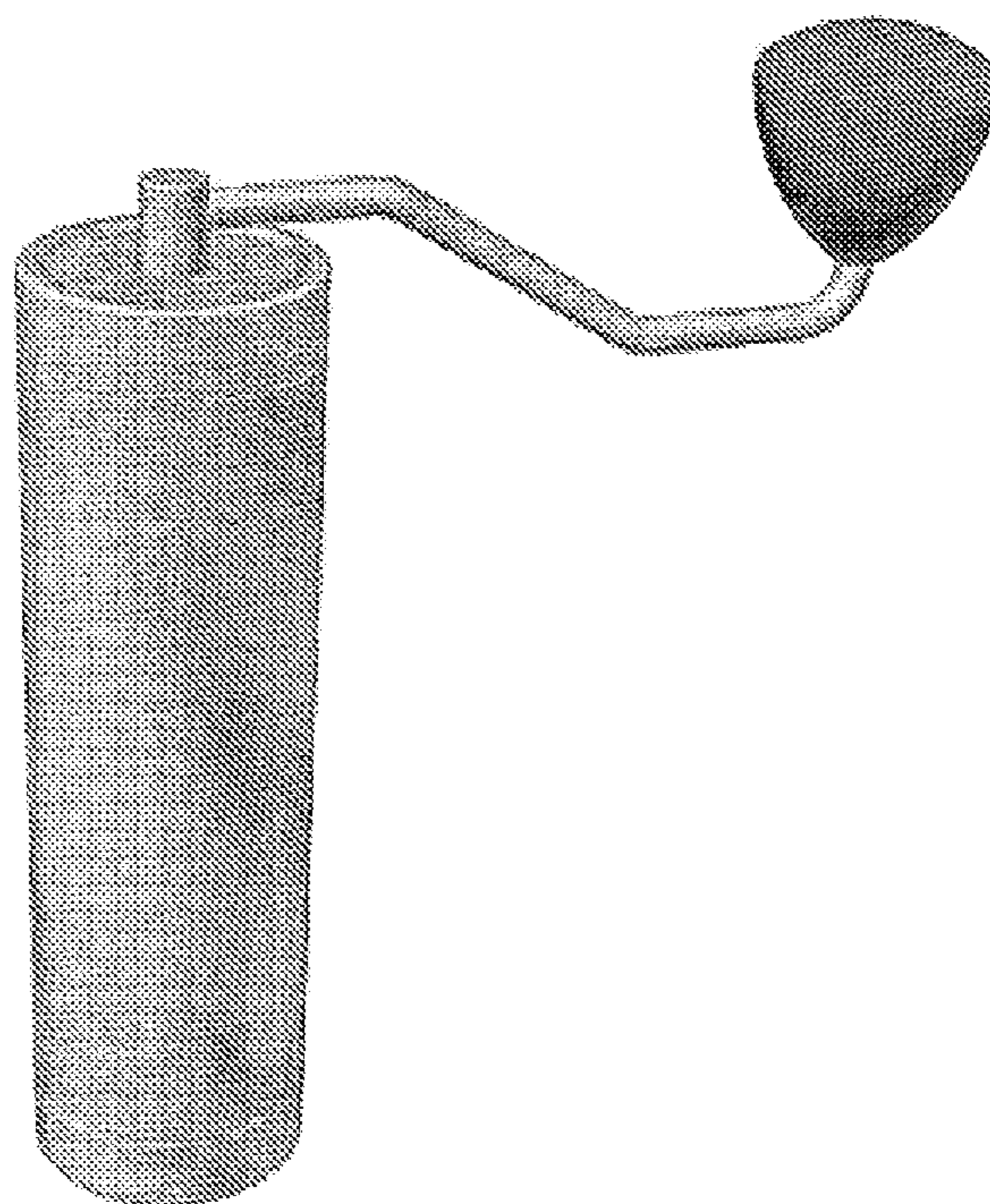
FIG. 1 is a perspective view of the coffee grinder according to
the present design.

FIG. 2 is a side view of the coffee grinder shown in FIG. 1.

FIG. 3 is a top view of the coffee grinder shown in FIG. 1; and,

FIG. 4 a bottom view of the coffee grinder shown in FIG. 1.

1 Claim, 4 Drawing Sheets



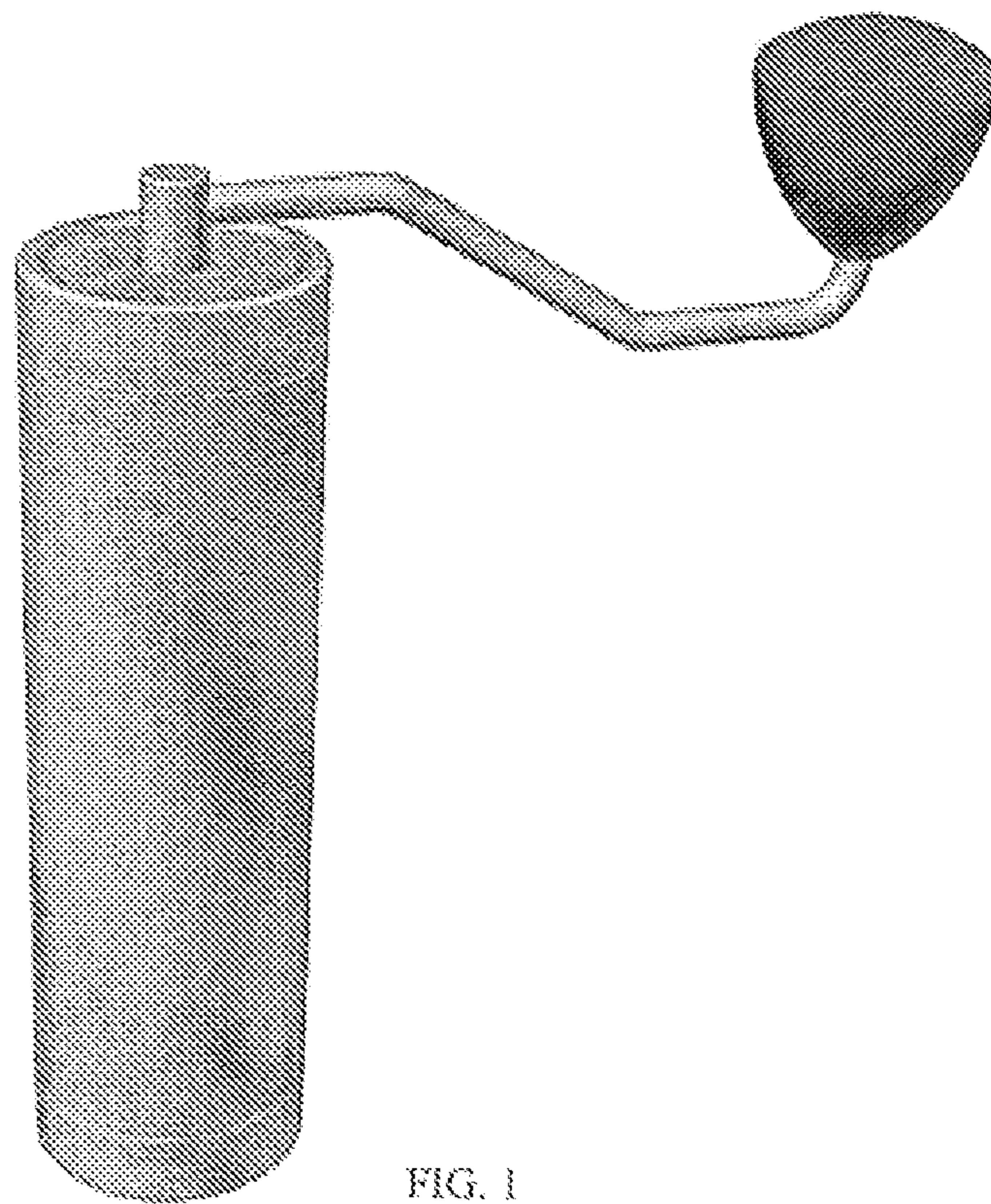


FIG. 1

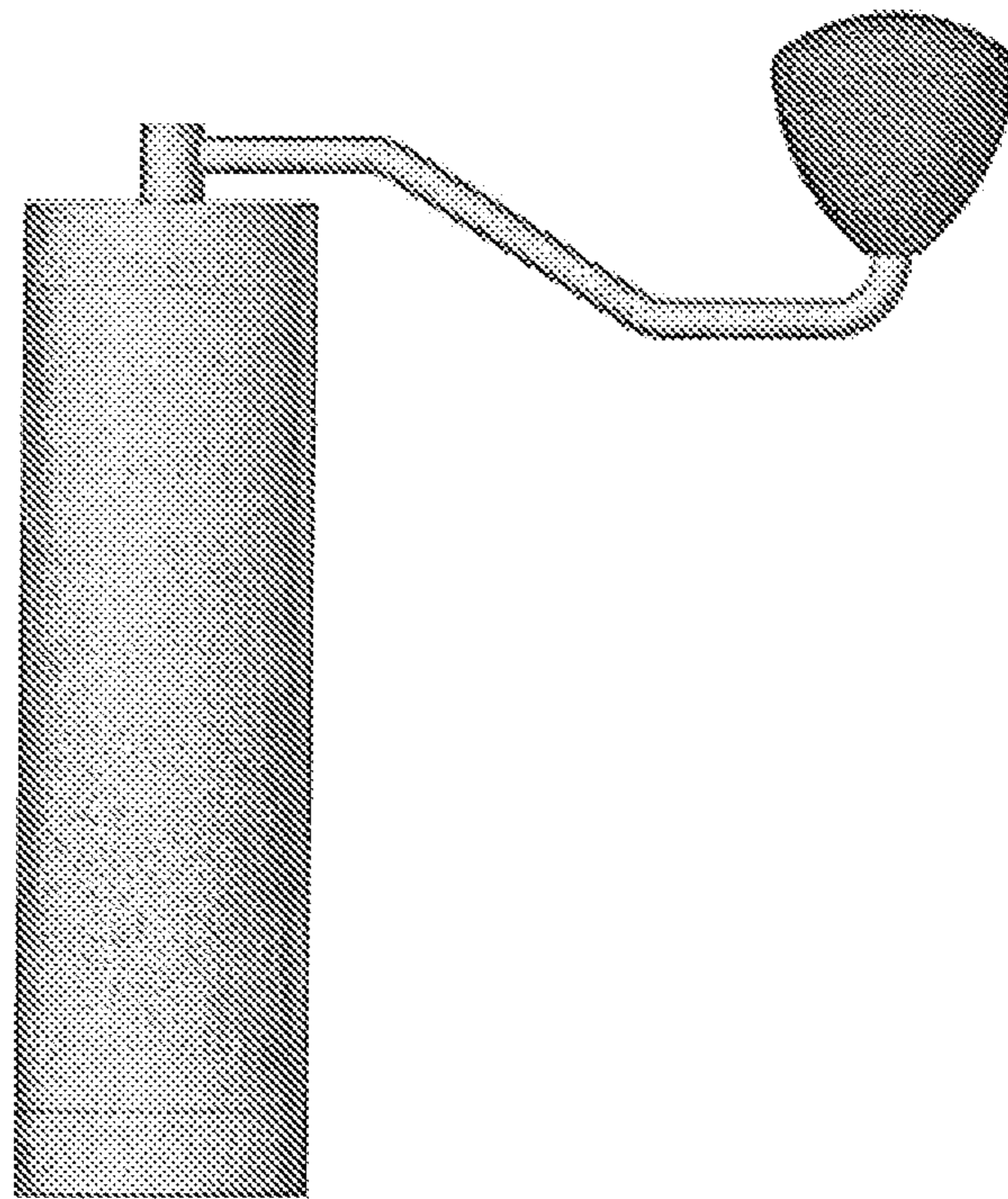


FIG. 2

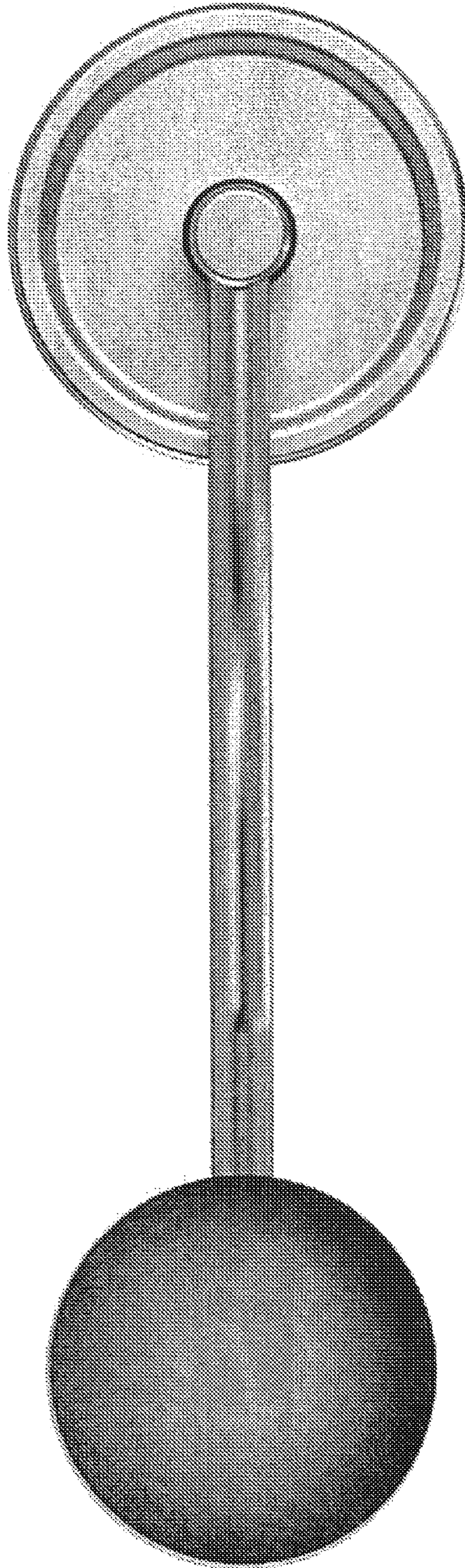


FIG. 3

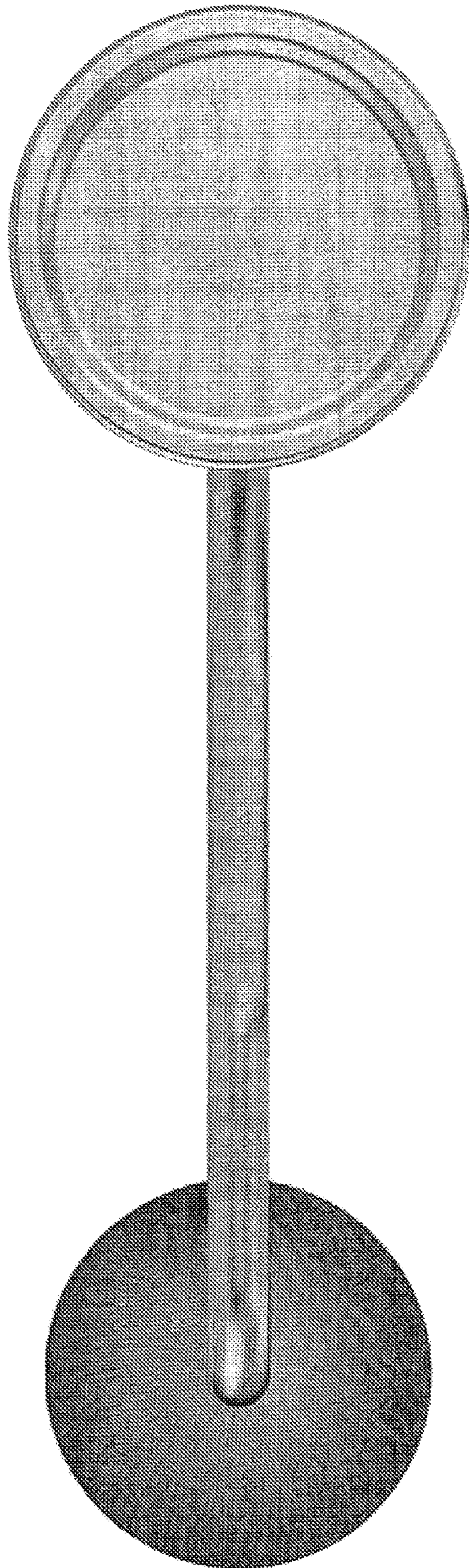


FIG. 4