



US00D700005S

(12) **United States Design Patent**
Moreno

(10) **Patent No.:** **US D700,005 S**
(45) **Date of Patent:** **** Feb. 25, 2014**

- (54) **BREAD SLICE-SHAPED FRYING PAN**
- (71) Applicant: **Arthur Moreno**, Beaumont, CA (US)
- (72) Inventor: **Arthur Moreno**, Beaumont, CA (US)
- (**) Term: **14 Years**
- (21) Appl. No.: **29/452,413**
- (22) Filed: **Apr. 16, 2013**
- (51) **LOC (10) Cl.** **07-02**
- (52) **U.S. Cl.**
USPC **D7/361; D7/354**
- (58) **Field of Classification Search**
USPC D7/323, 329–332, 337–339, 346–347,
D7/350.1–350.4, 352–367, 391–395,
D7/402–409, 538, 542–543, 554.2, 557,
D7/665; 99/324–327, 330–347, 369, 366,
99/372, 377, 400–419, 422–426, 444–446,
99/483; 126/37 R, 41 R, 261, 332, 378.1,
126/390.1; 219/386–387, 400, 405,
219/429–442, 452.11, 521–525, 620–624,
219/725, 730–735; 220/23.88, 314–315,
220/485, 573.1–573.5, 592.16, 912;
426/438, 441, 523
See application file for complete search history.

4,011,431 A	3/1977	Levin	
D248,722 S	8/1978	Tsuji	
4,462,388 A *	7/1984	Bohl et al.	126/390.1
4,911,322 A	3/1990	Eckman	
5,967,022 A *	10/1999	Moschella	99/339
D470,711 S *	2/2003	Kloppsteck	D7/359
D492,538 S *	7/2004	Cheng	D7/357
D498,640 S *	11/2004	Kloppsteck et al.	D7/361
D511,929 S *	11/2005	Coppi	D7/359
D526,530 S	8/2006	Abrams	
D580,700 S *	11/2008	Corcoran	D7/354
D594,271 S *	6/2009	Bodum	D7/361
D657,992 S *	4/2012	Moodie et al.	D7/354
D663,994 S *	7/2012	Lee	D7/352
D672,604 S *	12/2012	Upston et al.	D7/361
D677,974 S *	3/2013	Cloutier	D7/361

* cited by examiner

Primary Examiner — Ricky Pham
(74) *Attorney, Agent, or Firm* — Kyle Fletcher

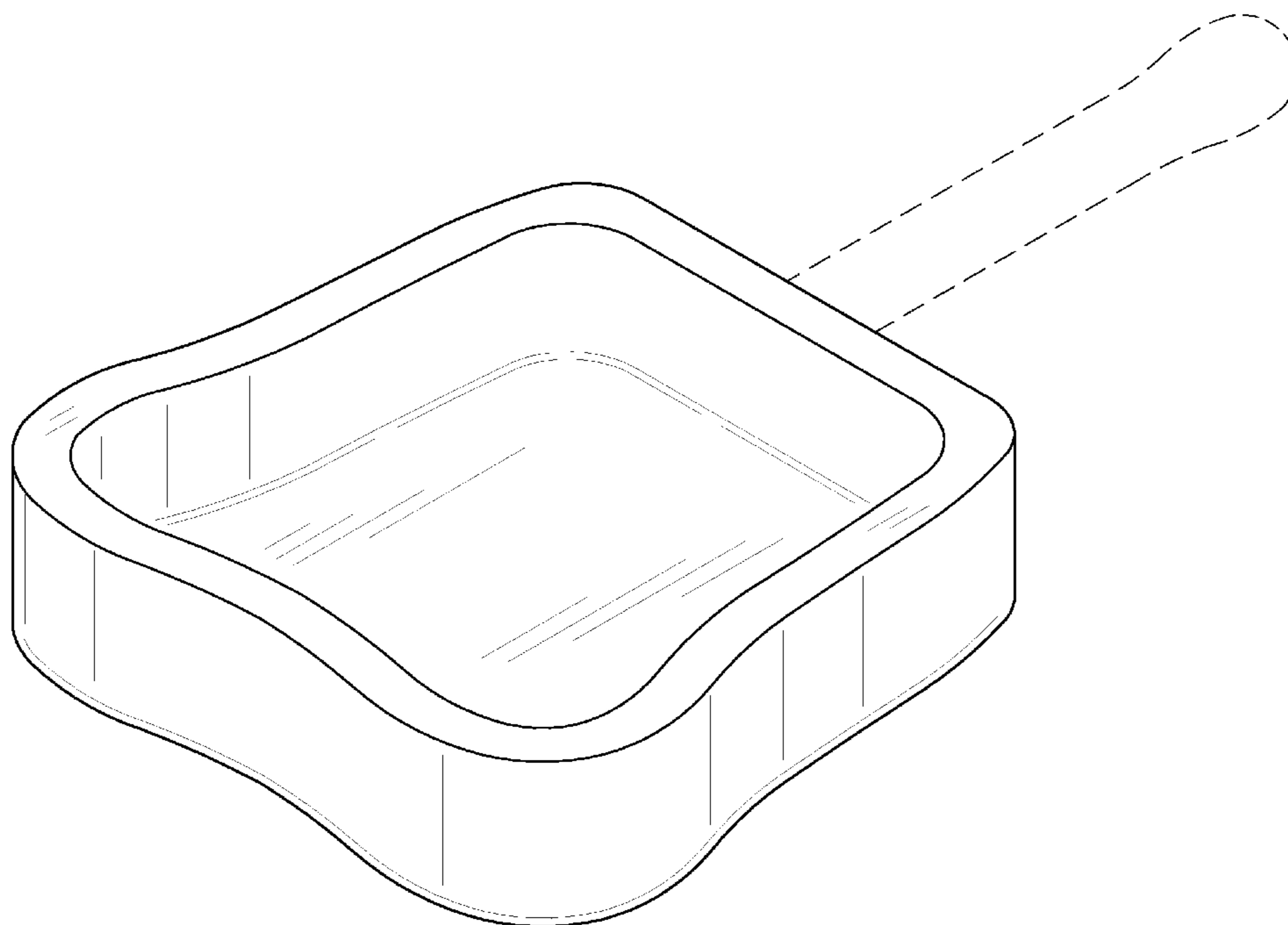
(57) **CLAIM**
I claim the ornamental design for the bread slice-shaped frying pan, as shown and described.

DESCRIPTION

FIG. 1 is a top view of the bread slice-shaped frying pan. FIG. 2 is a bottom view of the claimed design. FIG. 3 is a right side view of the claimed design. FIG. 4 is a left side view of the claimed design. FIG. 5 is a front side view of the claimed design; and, FIG. 6 is a perspective view of the claimed design. The handle portion of FIGS. 1-3, 5 & 6 is depicted in broken lines as environmental matter, which forms no part of the claimed design.

1 Claim, 4 Drawing Sheets

- (56) **References Cited**
U.S. PATENT DOCUMENTS
1,936,551 A * 11/1933 Garrison 99/339
2,066,507 A 1/1937 Yost
3,490,358 A 1/1970 Bardeau et al.
D240,993 S 8/1976 Levin



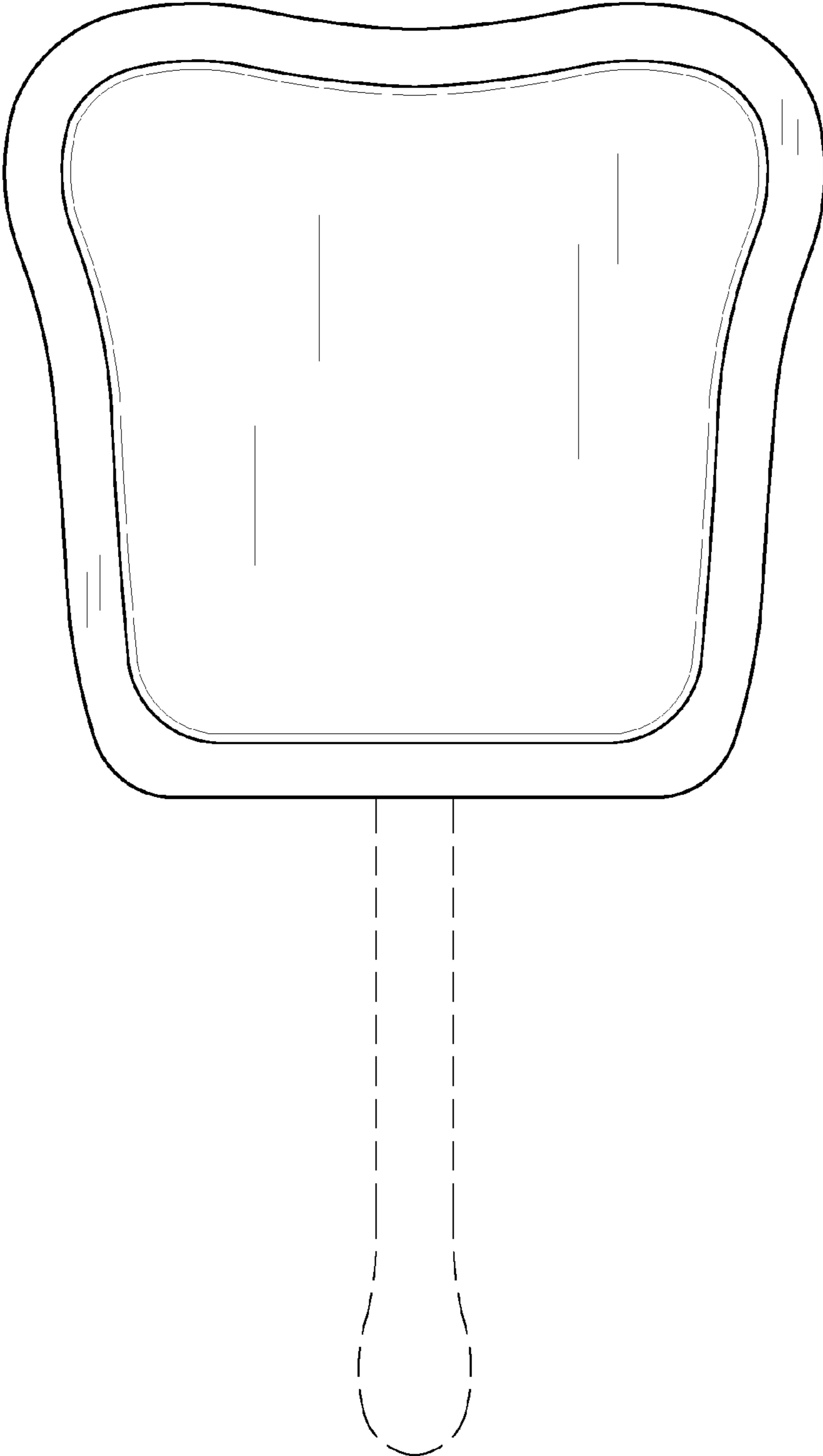


FIG. 1

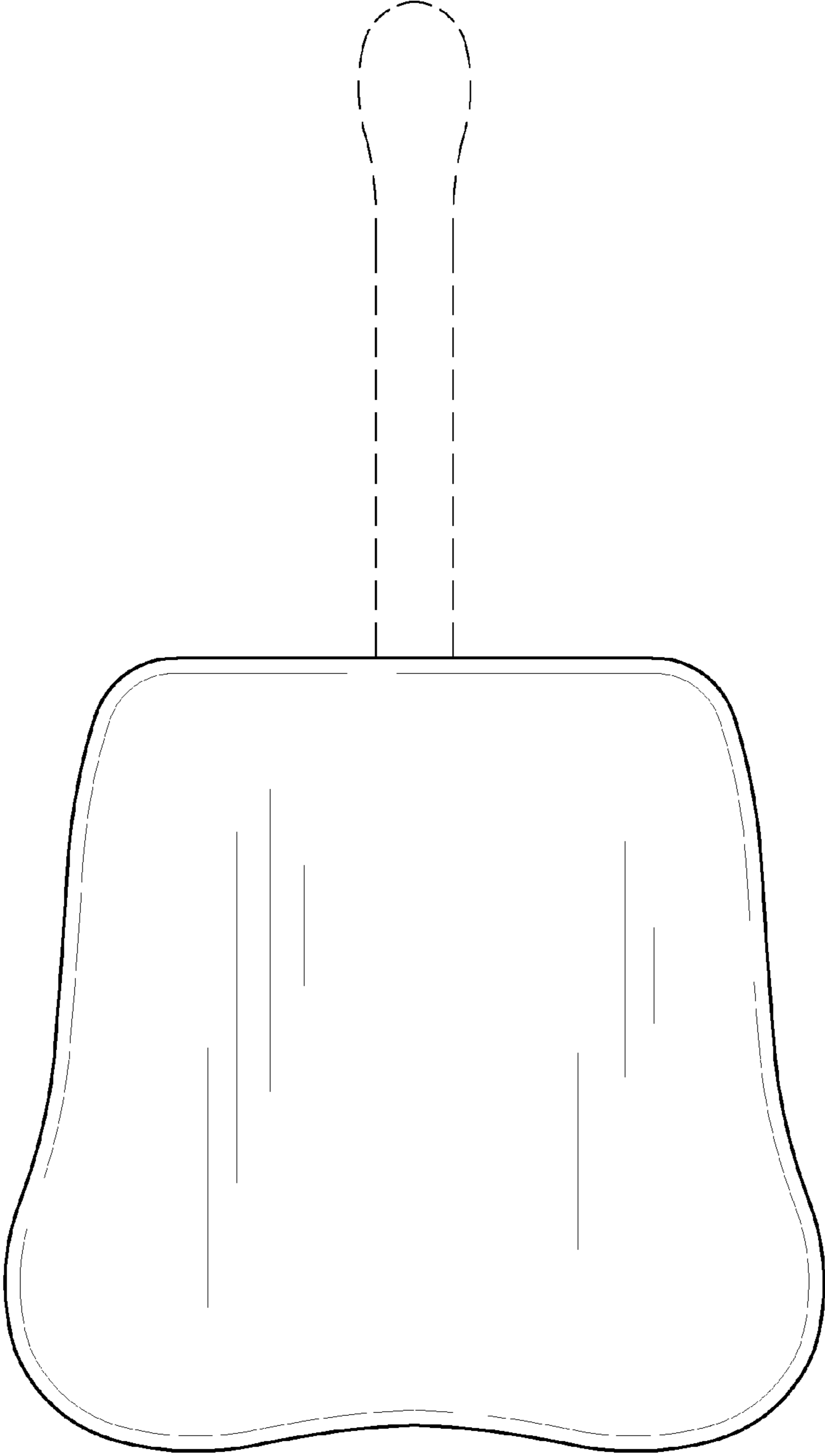


FIG. 2



FIG. 4

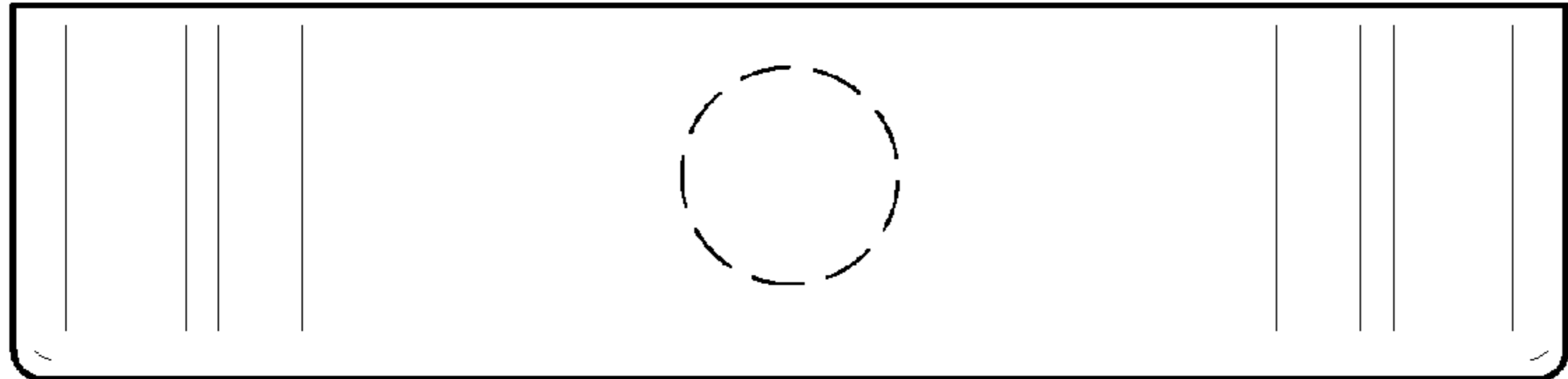


FIG. 3

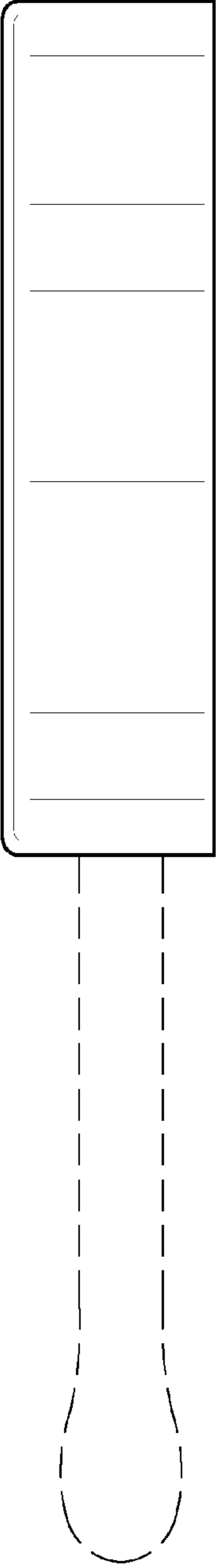


FIG. 5

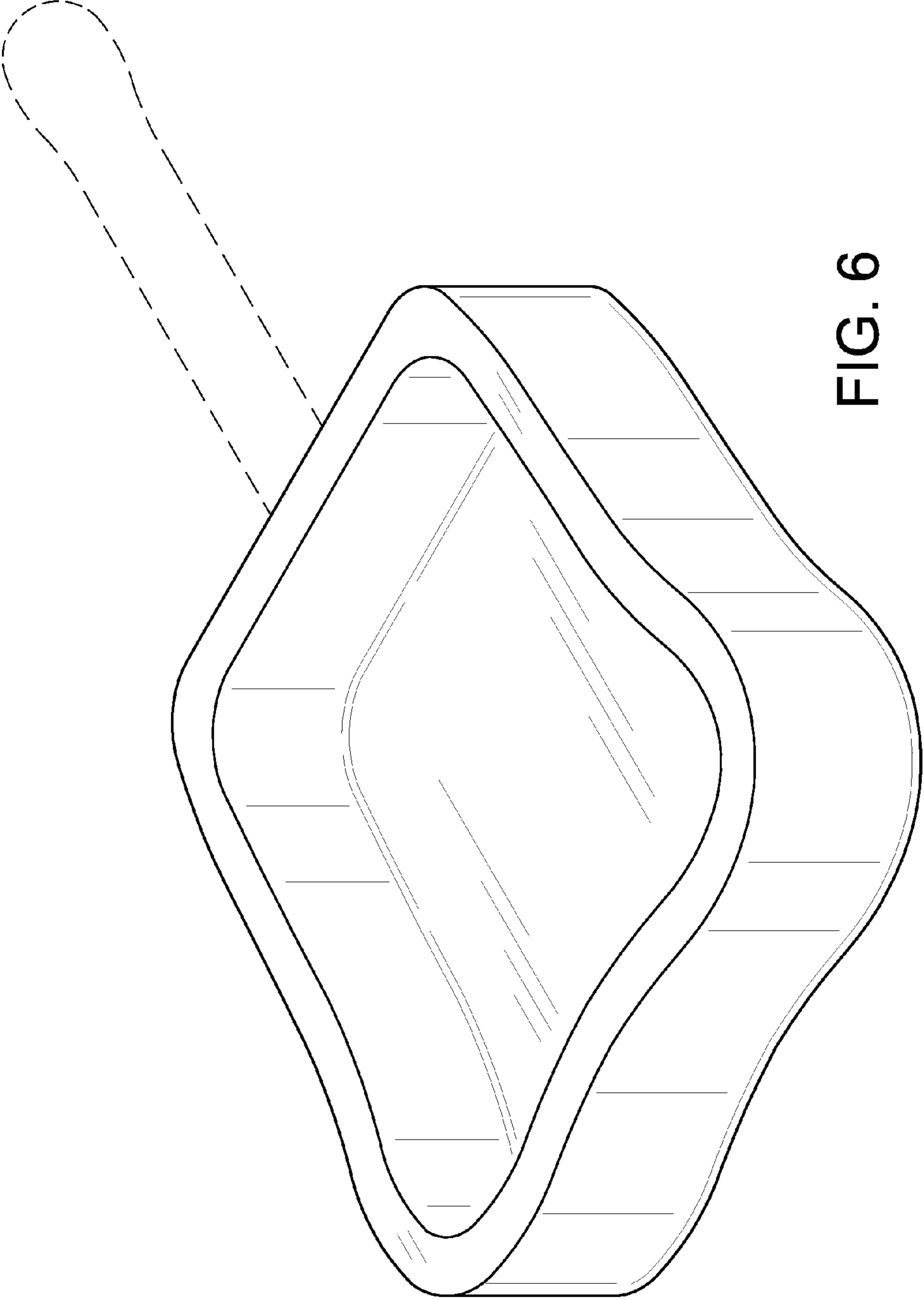


FIG. 6