



US00D700004S

(12) **United States Design Patent**  
**Weskamp et al.**

(10) **Patent No.:** **US D700,004 S**

(45) **Date of Patent:** **\*\* Feb. 25, 2014**

(54) **POULTRY ROASTER**

(56) **References Cited**

(71) Applicants: **Tracy A. Weskamp**, Kildeer, IL (US);  
**Mario M. Gonzalez**, Kenosha, WI (US);  
**Gregory J. Foster**, Chicago, IL (US)

U.S. PATENT DOCUMENTS

2,362,921	A *	11/1944	Palensky .....	99/419
5,301,602	A *	4/1994	Ryczek .....	99/345
5,575,198	A *	11/1996	Lowery .....	99/426
6,557,460	B2 *	5/2003	Hester .....	99/347
D506,352	S *	6/2005	Dow et al. ....	D7/361
D513,930	S *	1/2006	Novi .....	D7/409
D522,807	S *	6/2006	Dow et al. ....	D7/409
D527,954	S *	9/2006	Roth .....	D7/557
D564,286	S *	3/2008	Zemel .....	D7/354
D639,601	S *	6/2011	Borovicka et al. ....	D7/354
D657,612	S *	4/2012	Cloutier et al. ....	D7/354
D671,355	S *	11/2012	Zmrhal .....	D7/360
D682,037	S *	5/2013	Cloutier .....	D7/554.2

(72) Inventors: **Tracy A. Weskamp**, Kildeer, IL (US);  
**Mario M. Gonzalez**, Kenosha, WI (US);  
**Gregory J. Foster**, Chicago, IL (US)

(73) Assignee: **Weber-Stephen Products, LLC**,  
Palatine, IL (US)

(\*\*) Term: **14 Years**

\* cited by examiner

(21) Appl. No.: **29/454,253**

*Primary Examiner* — Ricky Pham

(22) Filed: **May 8, 2013**

(74) *Attorney, Agent, or Firm* — Niro Haller & Niro

(51) **LOC (10) Cl.** ..... **07-02**

(52) **U.S. Cl.**  
USPC ..... **D7/360**; D7/354; D7/409

(57) **CLAIM**

The ornamental design for a poultry roaster, as shown and described.

(58) **Field of Classification Search**  
USPC ..... D7/323, 329–332, 337–339, 346–347,  
D7/350.1–350.4, 352–367, 391–395,  
D7/402–409, 538, 542–543, 554.2, 557,  
D7/665; 99/324–327, 330–347, 369, 366,  
99/372, 377, 400–419, 422–426, 444–446,  
99/483; 126/37 R, 41 R, 261, 332, 378.1;  
219/386–387, 400, 405, 429–442,  
219/452.11, 521–525, 620–624, 725,  
219/730–735; 220/23.88, 314–315, 485,  
220/573.1–573.5, 592.16, 912; 426/438,  
426/441, 523

**DESCRIPTION**

FIG. 1 is a perspective view of a poultry roaster;  
FIG. 2 is a bottom perspective view of the poultry roaster;  
FIG. 3 is a top view of the poultry roaster;  
FIG. 4 is a front side view of the poultry roaster, the rear side view being the mirror image thereof;  
FIG. 5 is a right side view of the poultry roaster, the left side view being the mirror image thereof; and,  
FIG. 6 is a bottom view of the poultry roaster.

See application file for complete search history.

**1 Claim, 3 Drawing Sheets**

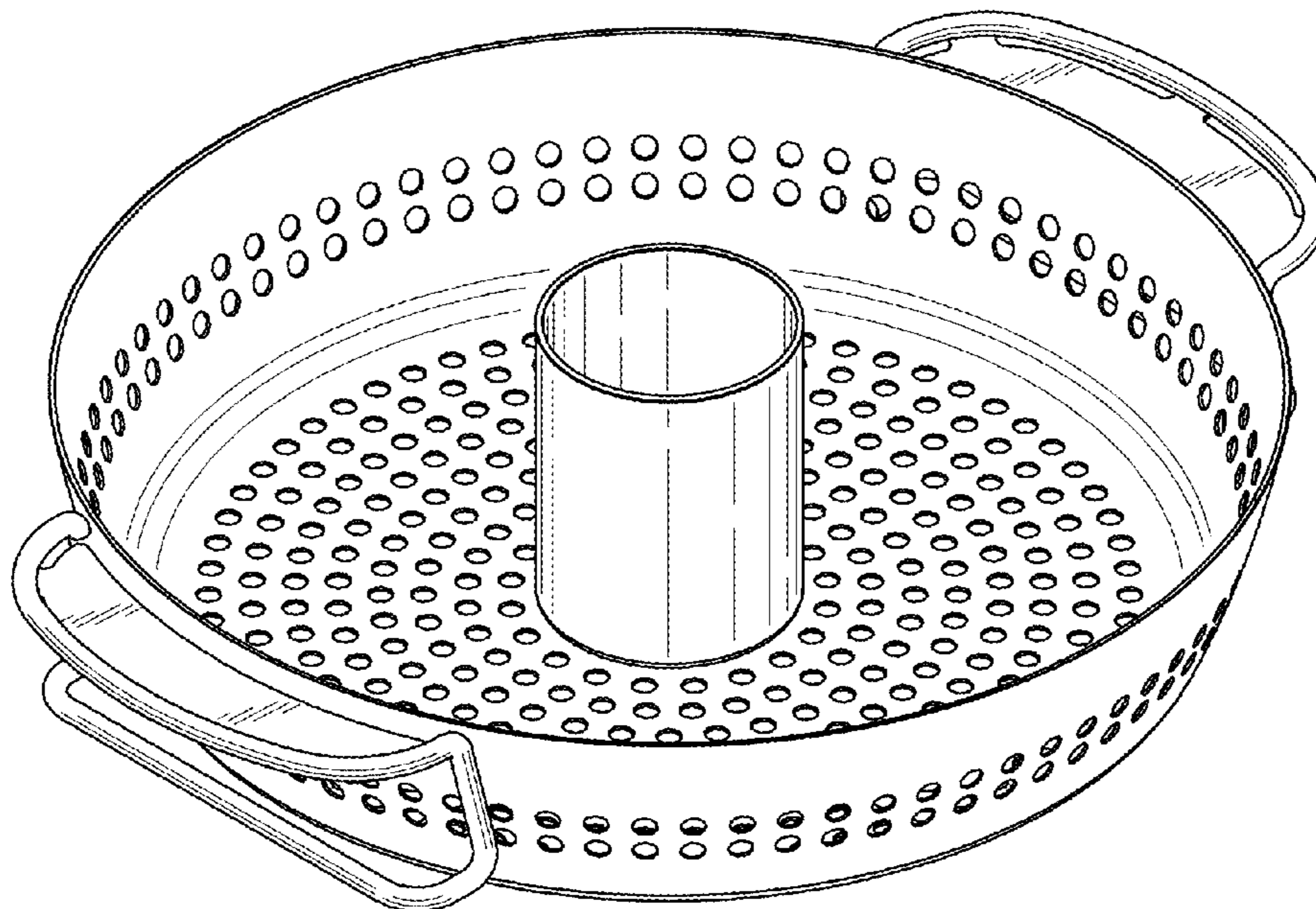


Fig. 1

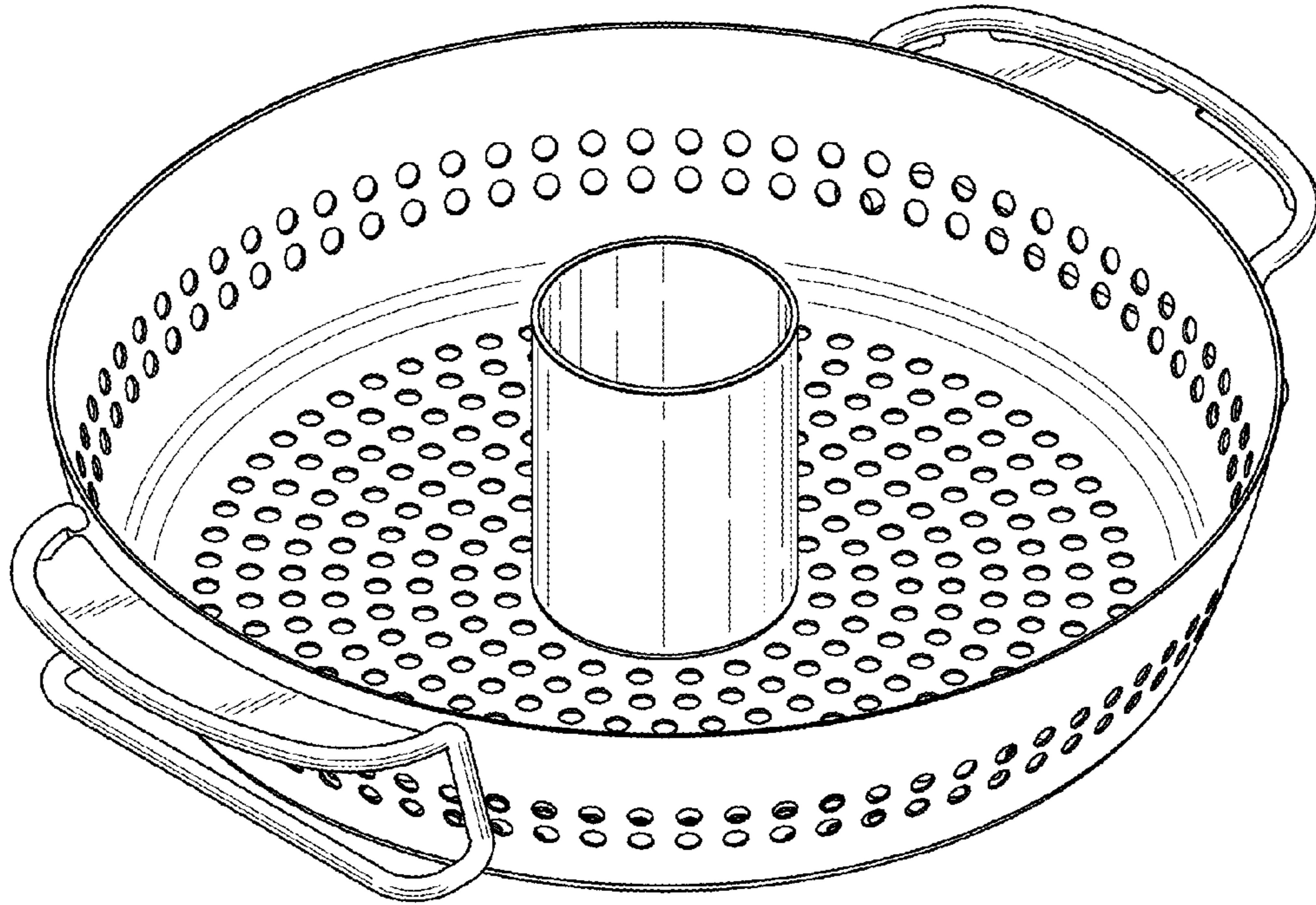


Fig. 2

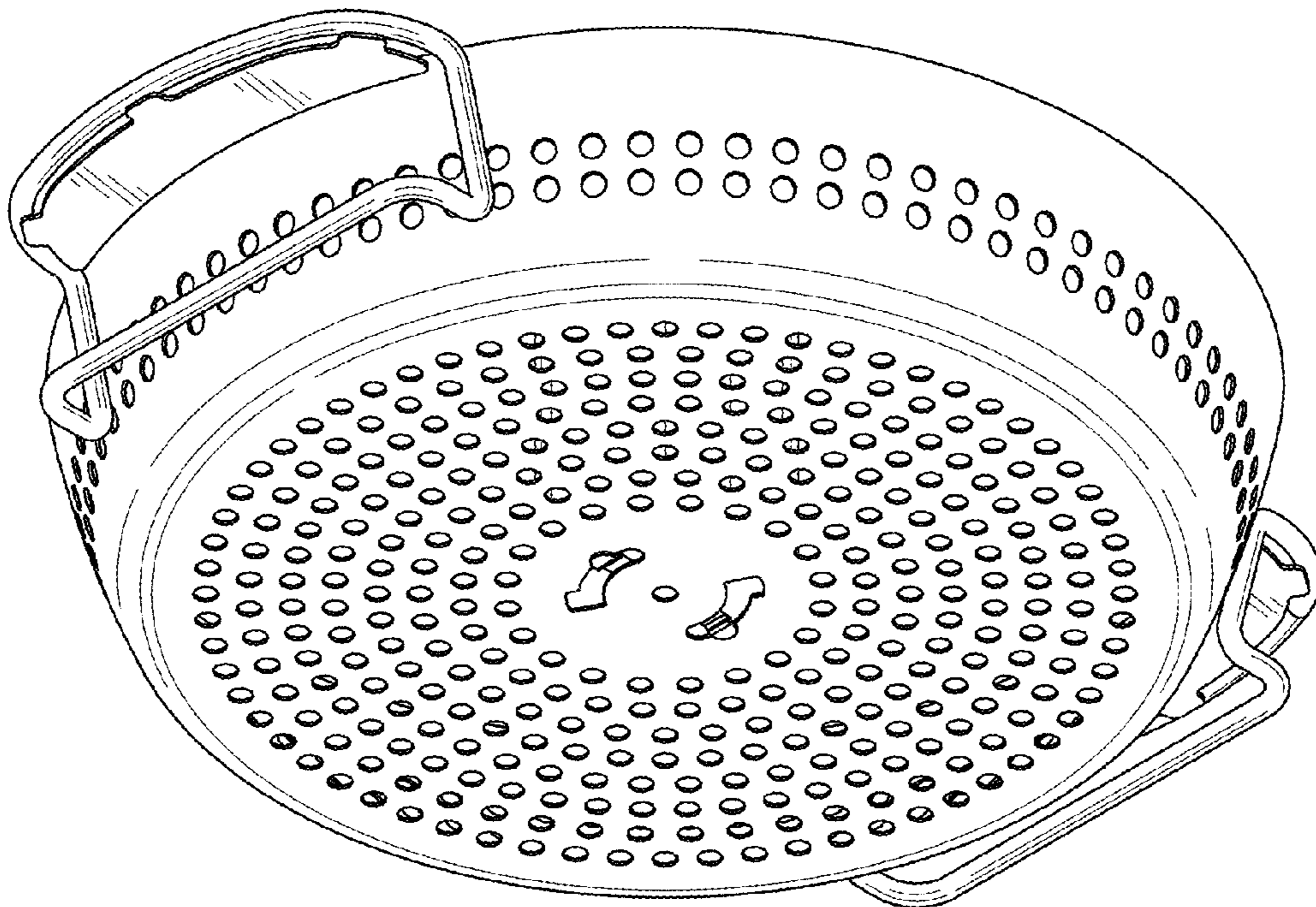


Fig. 3

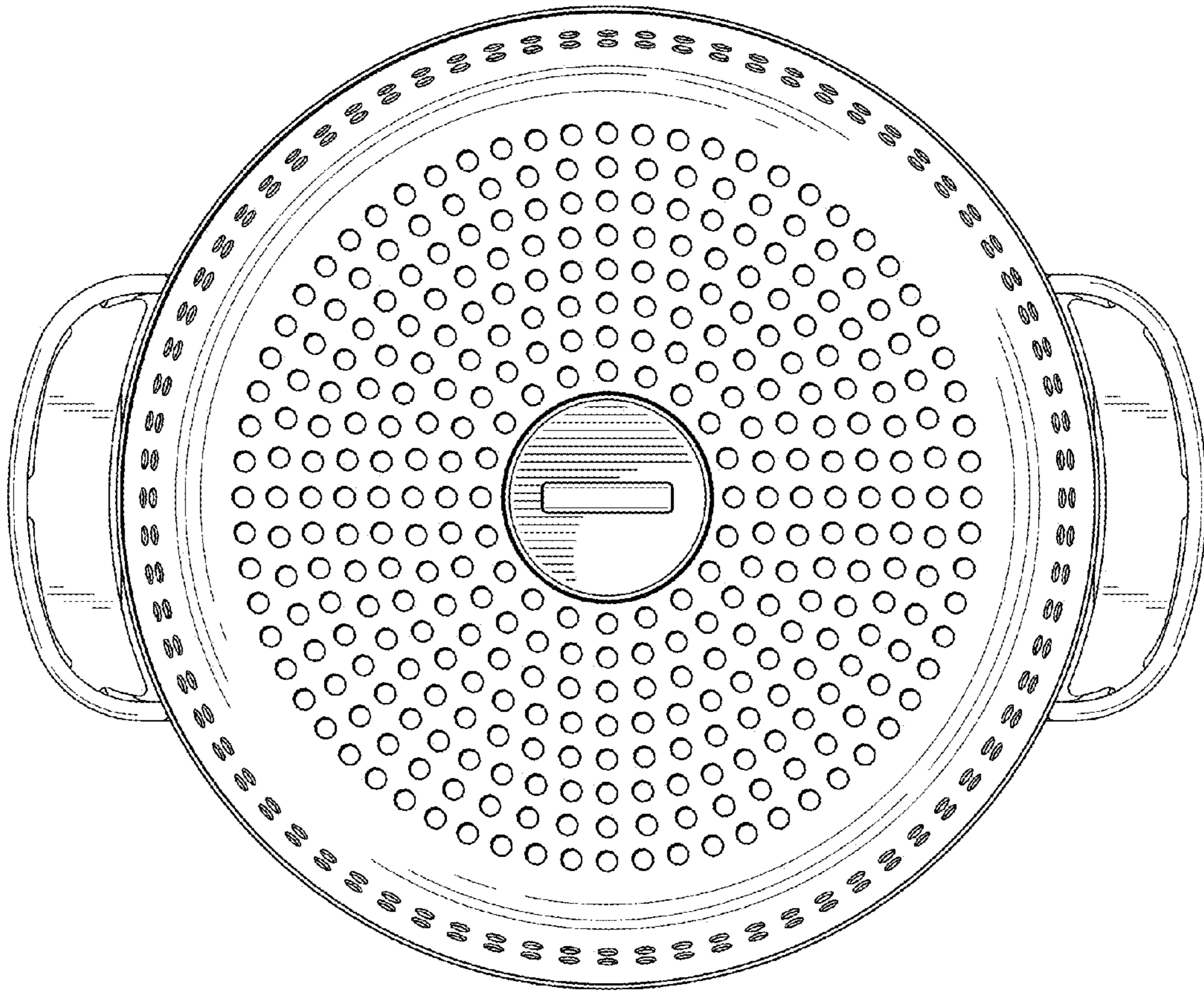


Fig. 4

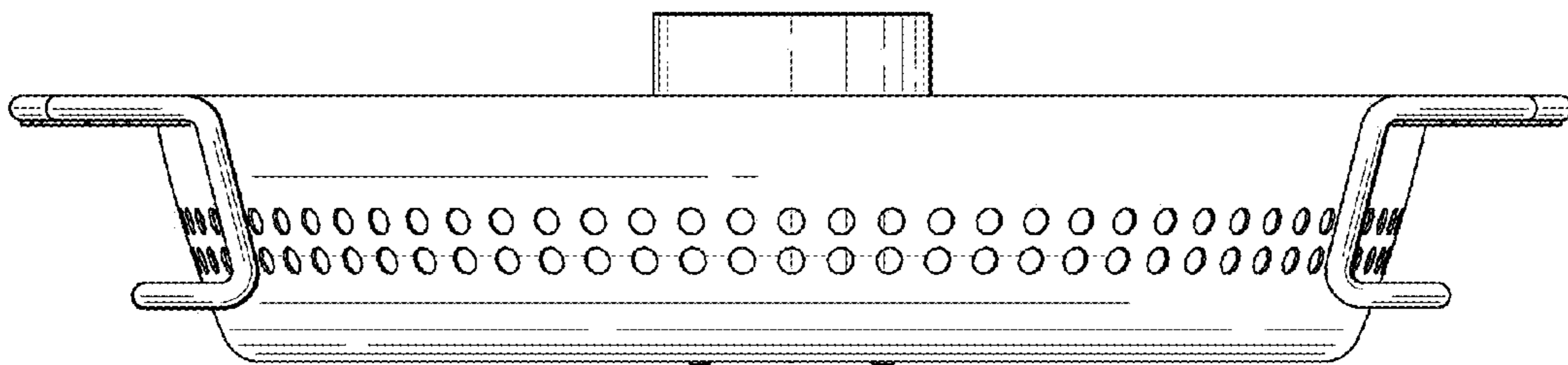


Fig. 5

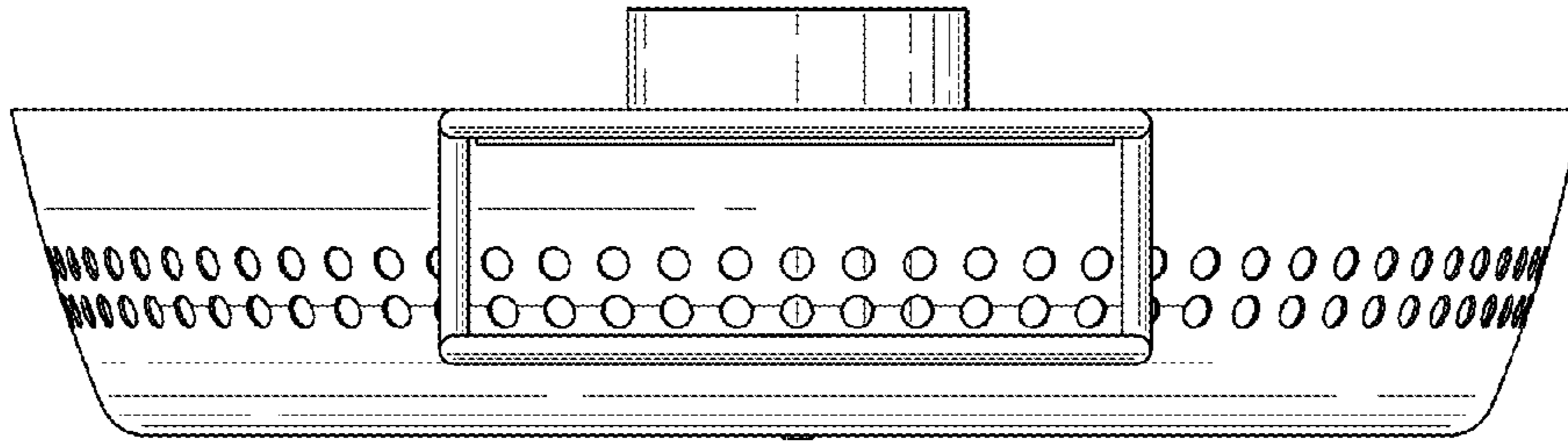


Fig. 6

