



US00D700003S

(12) **United States Design Patent**
Lagsdin

(10) **Patent No.:** **US D700,003 S**

(45) **Date of Patent:** **** Feb. 25, 2014**

(54) **BAKING SHEET**

(71) Applicant: **Andris Lagsdin**, Cohasset, MA (US)

(72) Inventor: **Andris Lagsdin**, Cohasset, MA (US)

(**) Term: **14 Years**

(21) Appl. No.: **29/443,738**

(22) Filed: **Jan. 22, 2013**

(51) **LOC (10) Cl.** **07-02**

(52) **U.S. Cl.**

USPC **D7/354**

(58) **Field of Classification Search**

USPC D6/705; D7/323, 329–331, 337, 339,
D7/346–347, 350.1–350.4, 352–367,
D7/387–388, 391, 392.1, 393, 395, 402,
D7/407–410, 500, 505, 538–545, 552.1,
D7/552.2, 553.2, 554.3, 555, 566,
D7/584–587, 602, 672–674, 698; D9/416,
D9/424–425, 430–435; D12/407;
D30/119–120; 99/324–325, 331–332,
99/337–349, 358, 369–376, 380, 389,
99/400–418, 422–426, 444–446, 483;
126/9 B, 37 R, 261, 376.1, 378.1;
206/501–505, 507–508, 518; 219/386,
219/400, 405, 429–442, 450.1, 452.13,
219/460.1, 620–624, 725, 730–735;
220/4.21–4.24, 23.8, 315,
220/573.1–573.5, 626, 629, 675, 743, 756,
220/769, 912; 426/132, 438, 441, 549

See application file for complete search history.

(56) **References Cited**

U.S. PATENT DOCUMENTS

1,749,433 A * 3/1930 Kussa et al. 126/376.1
D173,120 S * 9/1954 Levenhagen D7/554.3
3,581,970 A * 6/1971 Colato 220/626
D224,751 S * 9/1972 Propst D7/554.3
D271,557 S * 11/1983 Schwarzli D7/363

D282,042 S * 1/1986 Gallagher D7/554.3
D288,396 S * 2/1987 Ritman D7/586
D292,470 S * 10/1987 Oh D7/354
D377,294 S * 1/1997 Brady D7/554.3
D384,778 S * 10/1997 Powers et al. D30/119
D400,404 S * 11/1998 Indekeu D7/554.3
D427,009 S * 6/2000 Iyengar et al. D7/360
D433,662 S * 11/2000 Fanshaw et al. D12/407
D434,606 S * 12/2000 Reames et al. D7/552.1
D435,705 S * 12/2000 Powers et al. D30/120
D440,117 S * 4/2001 Claffy et al. D7/553.2
D462,231 S * 9/2002 Kari et al. D7/354
D480,923 S * 10/2003 Neubourg D7/554.3
D489,575 S * 5/2004 De Neubourg D7/554.3
D532,247 S * 11/2006 Copeland D7/354
D578,811 S * 10/2008 Gervasi D6/511
D581,203 S * 11/2008 Simon et al. D7/354
D581,205 S * 11/2008 Simon et al. D7/354
D665,225 S * 8/2012 Zakula et al. D7/409
D677,154 S * 3/2013 Miller et al. D9/424
D685,265 S * 7/2013 Turvey D9/435

* cited by examiner

Primary Examiner — Ricky Pham

(74) *Attorney, Agent, or Firm* — David M. Driscoll, Esq.

(57) **CLAIM**

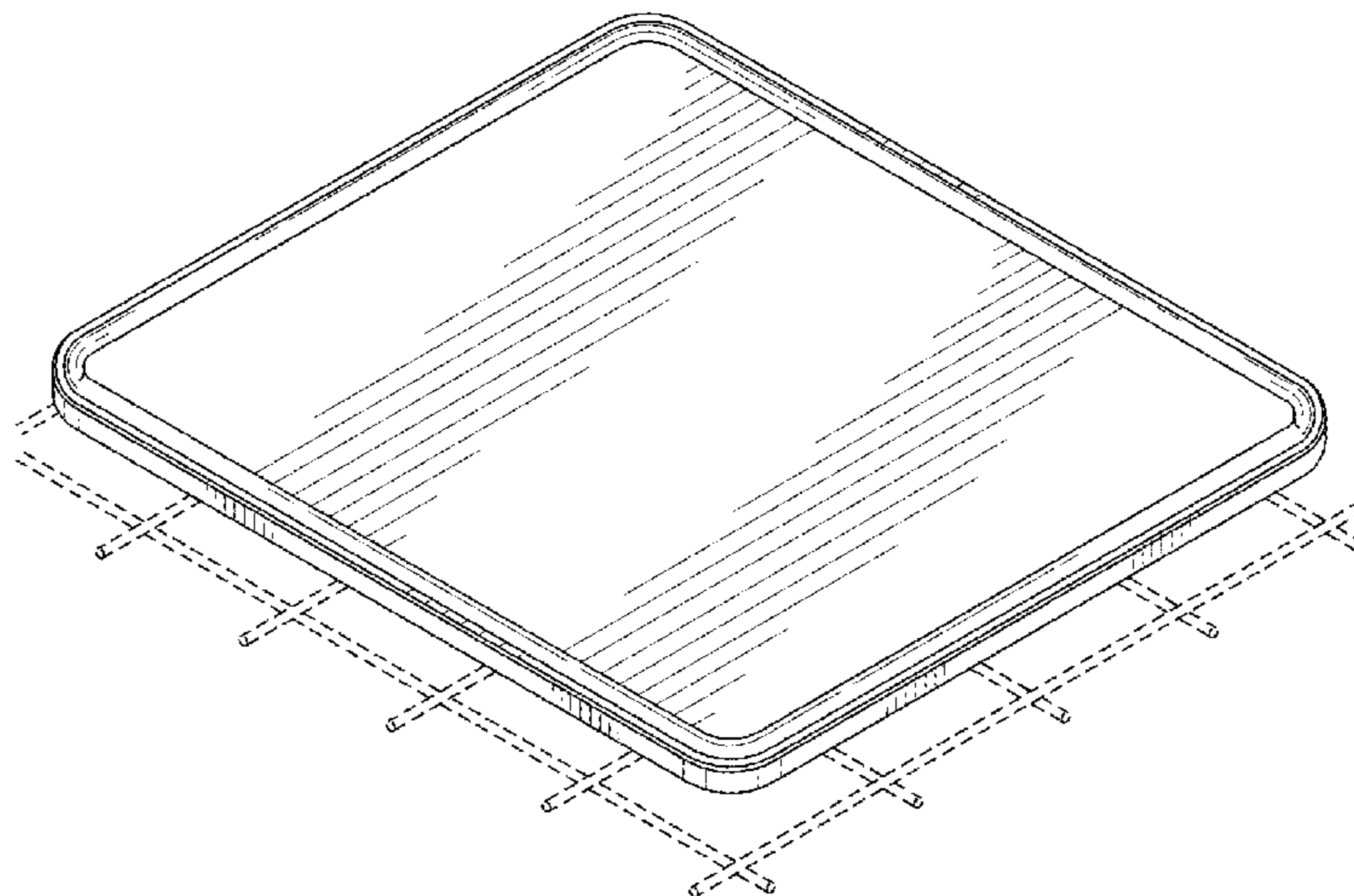
The ornamental design for a baking sheet, as shown and described.

DESCRIPTION

FIG. 1 is a perspective view of a baking sheet;
FIG. 2 is a top plan view thereof;
FIG. 3 is a bottom plan view thereof;
FIG. 4 is a front elevational view thereof;
FIG. 5 is a rear elevational view thereof;
FIG. 6 is a left side elevational view thereof;
FIG. 7 is a right side elevational view thereof; and,
FIG. 8 is an enlarged cross-sectional view along line 8-8 of FIG. 2.

The portions shown in broken lines are included for illustrative purposes only and form no part of the claimed design.

1 Claim, 5 Drawing Sheets



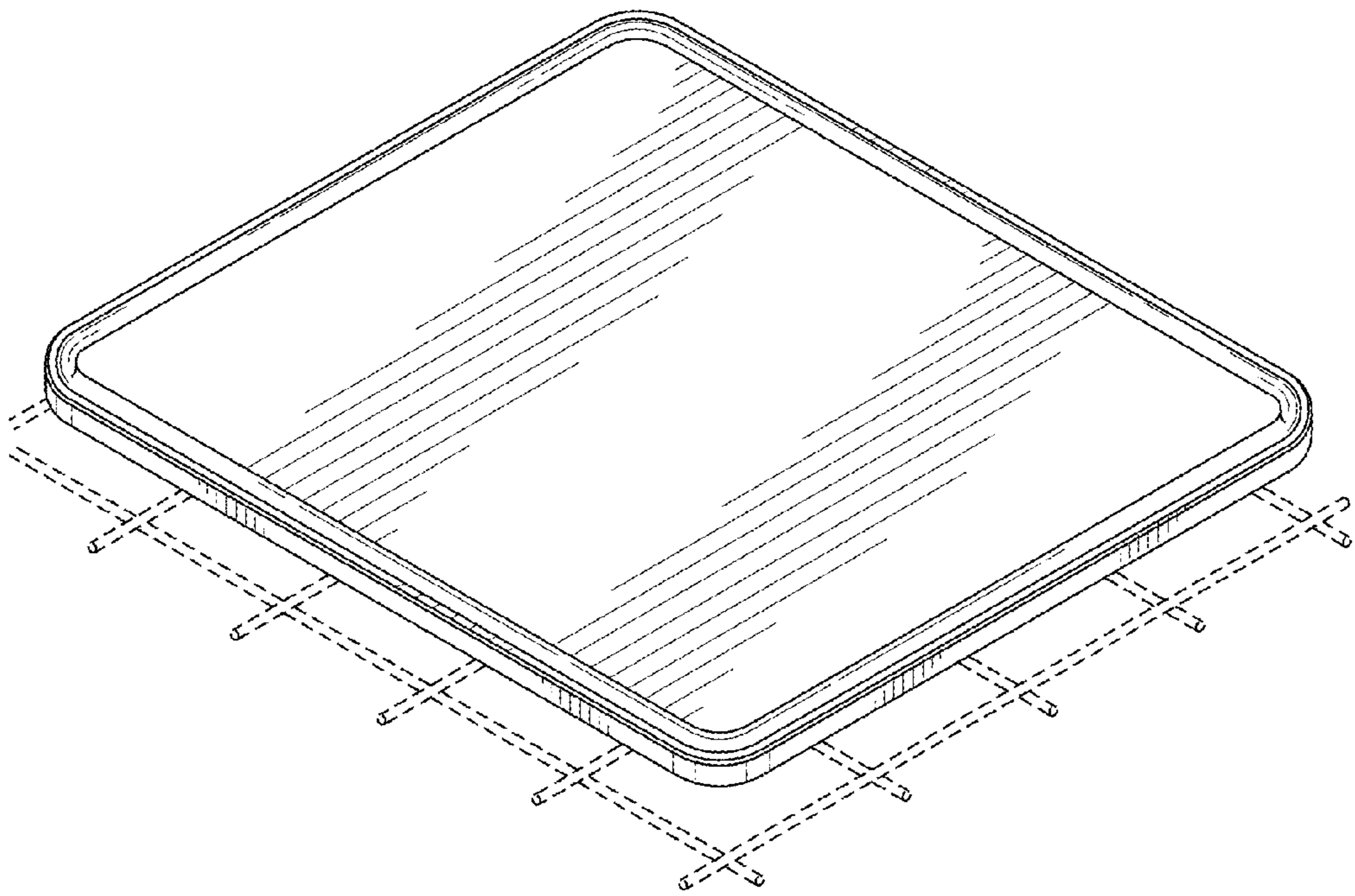


FIG. 1

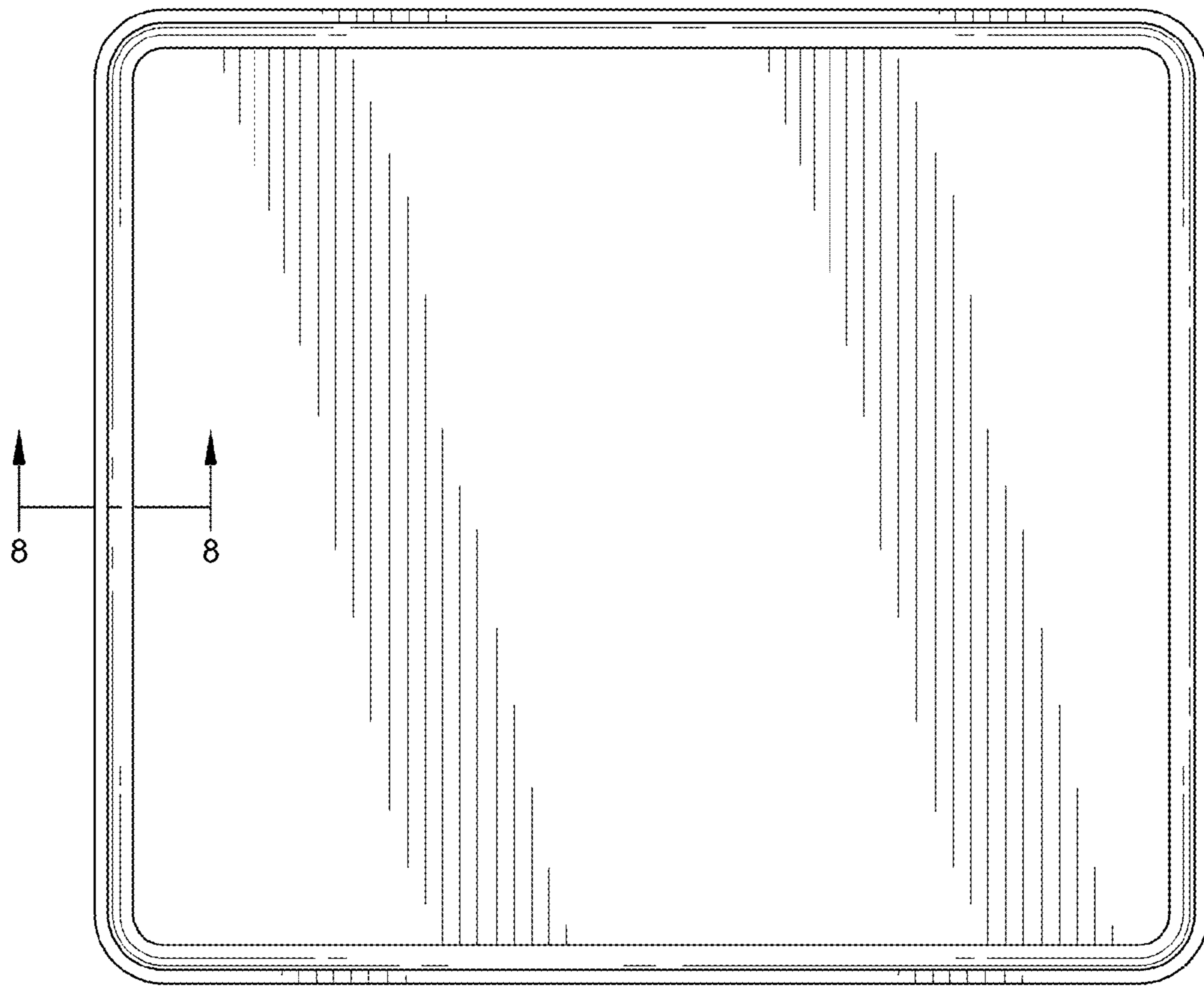


FIG. 2

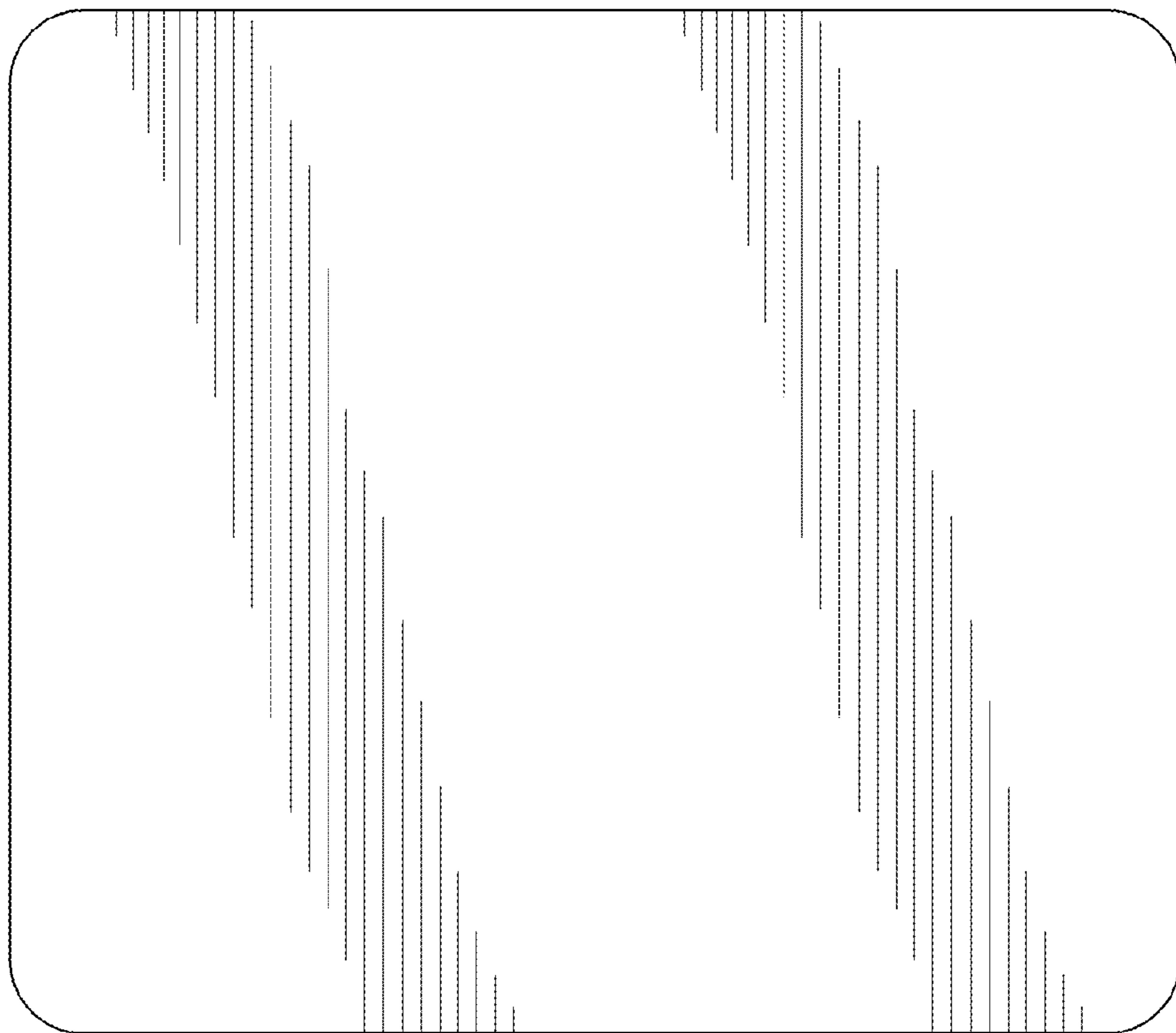


FIG. 3



FIG. 4



FIG. 5



FIG. 6

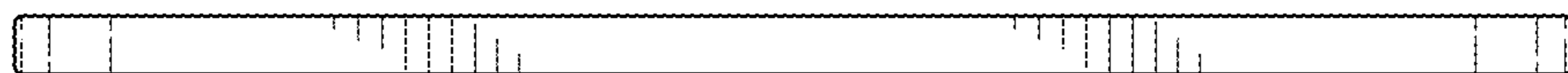


FIG. 7

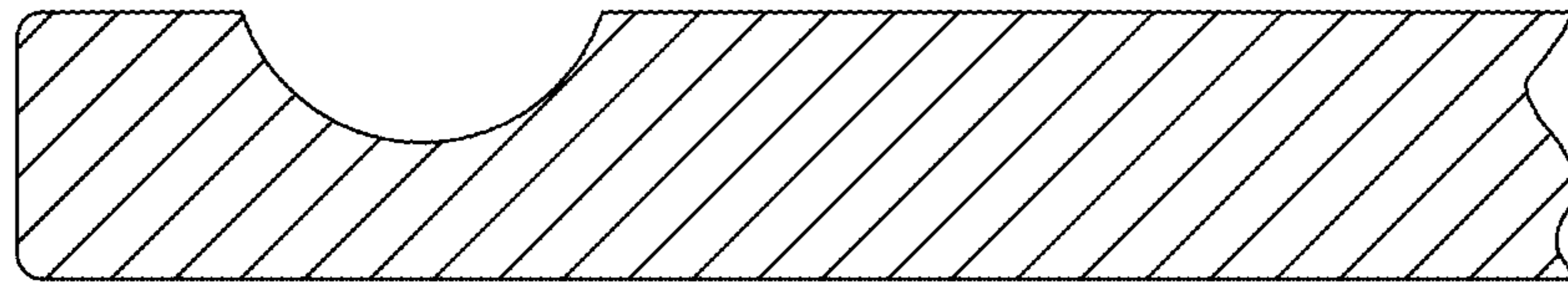


FIG. 8