



US00D700002S

(12) **United States Design Patent**
Lupo, Jr.

(10) **Patent No.:** **US D700,002 S**
(45) **Date of Patent:** **** Feb. 25, 2014**

(54) **HEALTHY LOAF PAN**
(76) Inventor: **Anthony Lupo, Jr.**, Bethpage, NY (US)
(**) Term: **14 Years**
(21) Appl. No.: **29/407,265**
(22) Filed: **Nov. 25, 2011**
(51) **LOC (10) Cl.** **07-02**
(52) **U.S. Cl.**
USPC **D7/354**
(58) **Field of Classification Search**
USPC D3/304, 313, 318; D7/323, 329–331,
D7/337, 339, 346–347, 350.1–350.4,
D7/352–368, 388, 391, 393, 395, 402,
D7/407–410, 500, 538–545, 552.1, 552.2,
D7/555, 566, 584–587, 602, 672–674;
D9/416, 424–425, 432–434; D11/156;
D12/426; 72/29.2; 99/324–325,
99/331–332, 337–349, 358, 369–376, 380,
99/389, 400–418, 422–426, 444–446,
99/483; 126/9 B, 37 R, 261, 378.1, 390.1;
141/283; 220/4.24, 23.2, 23.8, 62, 315,
220/573.1–573.5, 629, 675, 743, 756, 769,
220/912; 228/196; 249/117, 160; 426/113,
426/438, 441, 549

See application file for complete search history.

(56) **References Cited**
U.S. PATENT DOCUMENTS

323,887 A 8/1885 Rutter
937,424 A * 10/1909 Costa 220/23.8
1,336,292 A * 4/1920 Goodfriend 220/23.2
1,461,974 A * 7/1923 Driver 249/117
1,546,366 A * 7/1925 Bledig 141/283
2,216,147 A * 10/1940 Ward 220/62
2,462,728 A * 2/1949 Debs 126/390.1
2,583,870 A * 1/1952 Nafziger 249/160

2,738,897 A * 3/1956 Russell et al. 220/573.1
2,763,200 A 9/1956 Kittler
2,824,510 A 2/1958 Gangwer
3,004,283 A 10/1961 Vanstrom
3,032,233 A * 5/1962 Debs 220/23.2
3,127,828 A 4/1964 Fine
3,265,022 A * 8/1966 Kaufman 72/29.2
3,289,571 A 12/1966 Lewus
3,507,668 A * 4/1970 Bridgford 426/113
3,613,552 A 10/1971 Kean
D227,533 S 7/1973 Christell
4,106,486 A 8/1978 Lee
4,223,619 A * 9/1980 Hare 228/196
4,345,516 A 8/1982 Sinclair
4,941,401 A 7/1990 Sarnoff et al.
5,400,703 A 3/1995 Ashcom et al.
D368,584 S * 4/1996 Stommel, Jr. D3/313
5,768,980 A 6/1998 Degen
D434,369 S * 11/2000 Matthies D12/426
6,237,472 B1 5/2001 Gates
6,415,710 B1 7/2002 Boone
6,443,053 B1 9/2002 Rossi

(Continued)

Primary Examiner — Ricky Pham

(74) *Attorney, Agent, or Firm* — Harold. G. Furlow, Esq

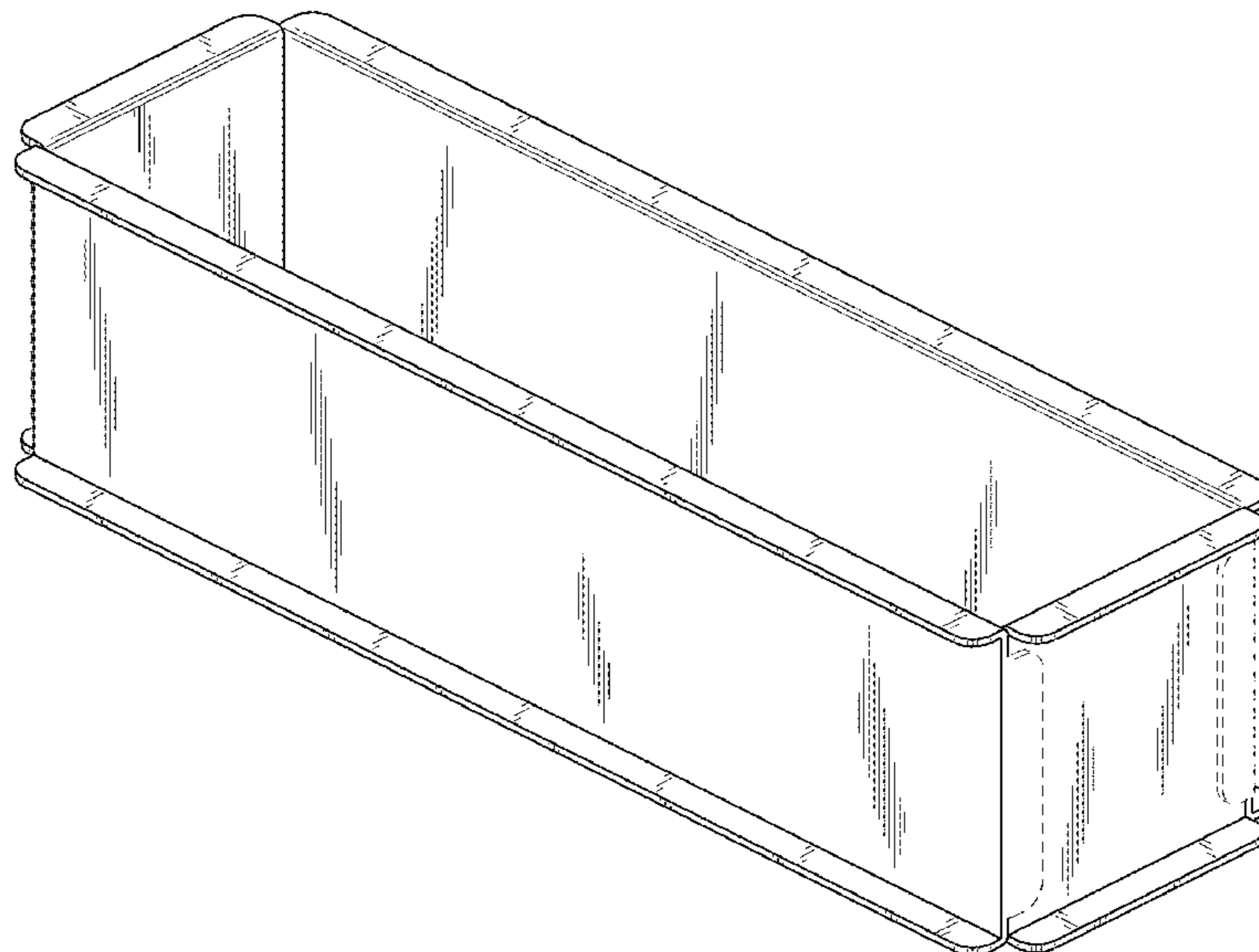
(57) **CLAIM**

The ornamental design for a healthy loaf pan, as shown and described.

DESCRIPTION

FIG. 1 is a front, side and top perspective view of a healthy loaf pan in accordance with my design;
FIG. 2 is a front view of the healthy loaf pan of FIG. 1;
FIG. 3 is a side view of the healthy loaf pan of FIG. 1; and,
FIG. 4 is a top view of the healthy loaf pan of FIG. 1.
The broken lines in the drawing views are included for the purpose of illustrating portions of the healthy loaf pan that form no part of the claimed design.

1 Claim, 2 Drawing Sheets



(56)

References Cited

U.S. PATENT DOCUMENTS

6,463,844 B1 10/2002 Wang et al.
D468,663 S * 1/2003 Fan D11/156
6,546,850 B1 4/2003 Akiyama-Warren
D477,166 S * 7/2003 Petri D6/510
6,813,994 B2 11/2004 Williams
D530,919 S * 10/2006 Snell D3/304
D530,921 S * 10/2006 Snell D3/304
D546,139 S 7/2007 Michaux

D549,457 S * 8/2007 Dretzka D3/304
D590,596 S * 4/2009 Dretzka D3/304
D591,510 S * 5/2009 Auer et al. D3/304
D612,608 S * 3/2010 Snell D3/304
D622,539 S 8/2010 Simon et al.
D628,802 S * 12/2010 Kraemer D3/318
D630,886 S 1/2011 Thanasouk
D651,449 S * 1/2012 Pallotto D7/368
D659,400 S * 5/2012 Kraemer D3/304
D661,488 S * 6/2012 Kraemer D3/304

* cited by examiner

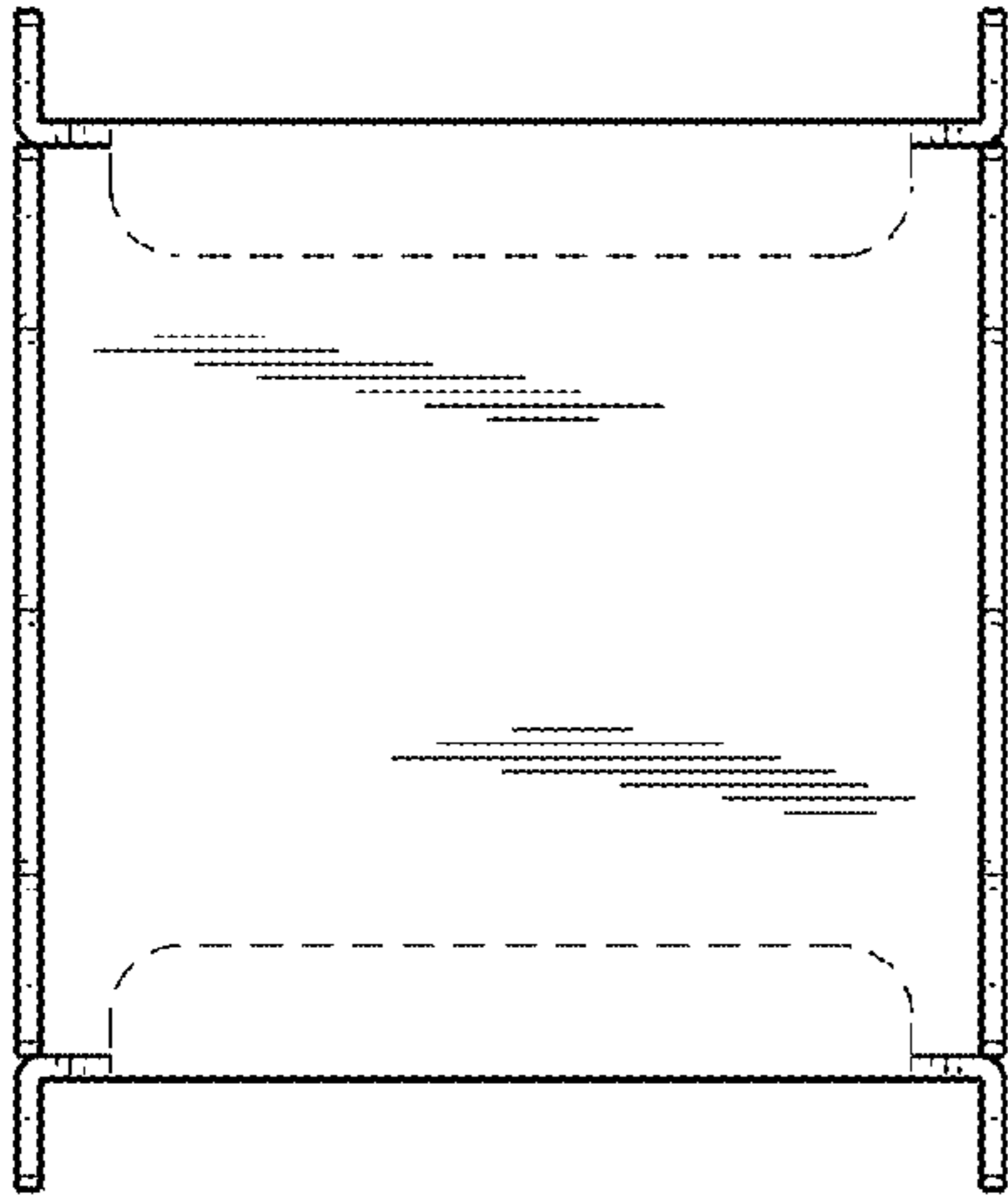


FIG. 2

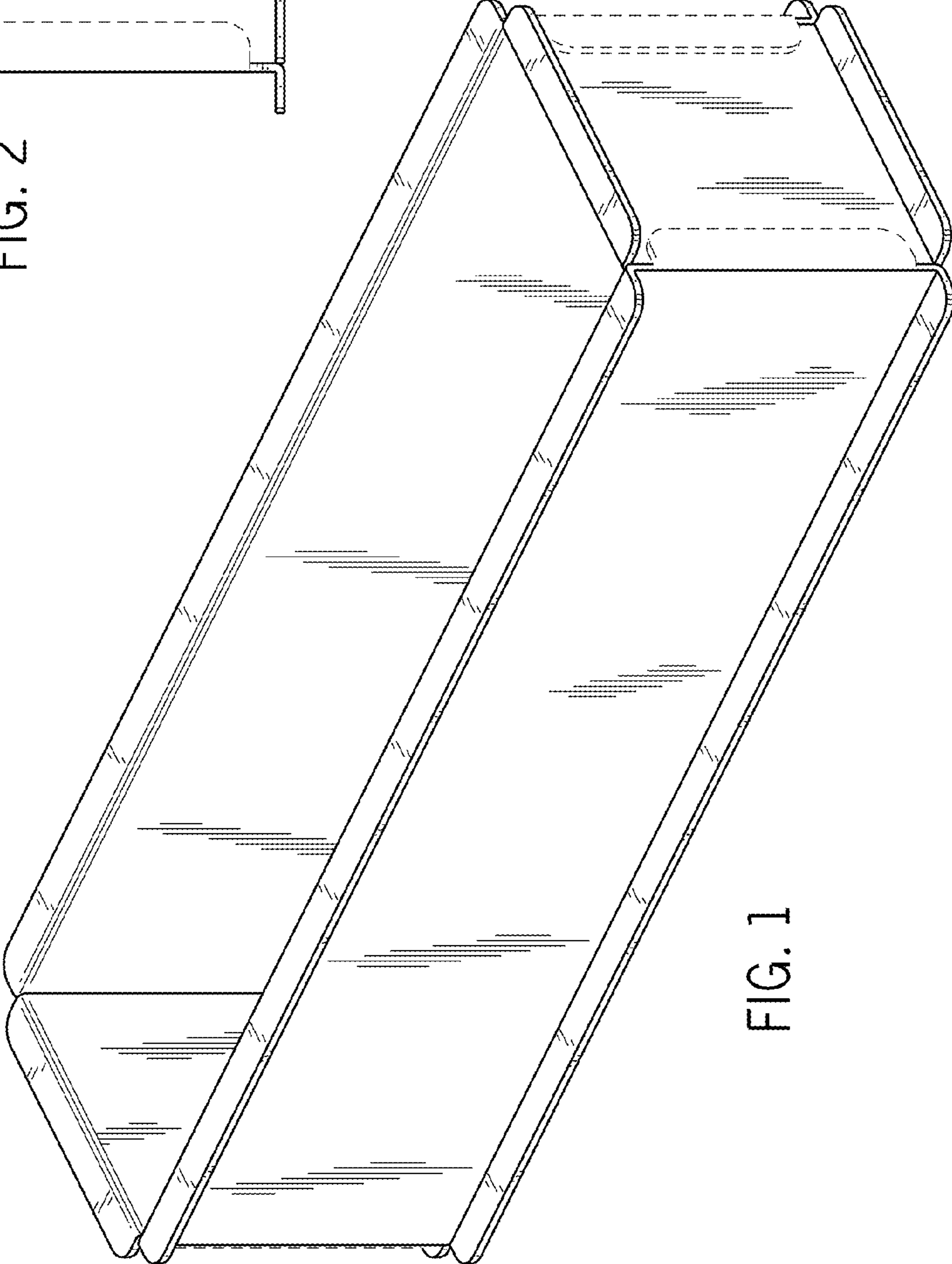


FIG. 1

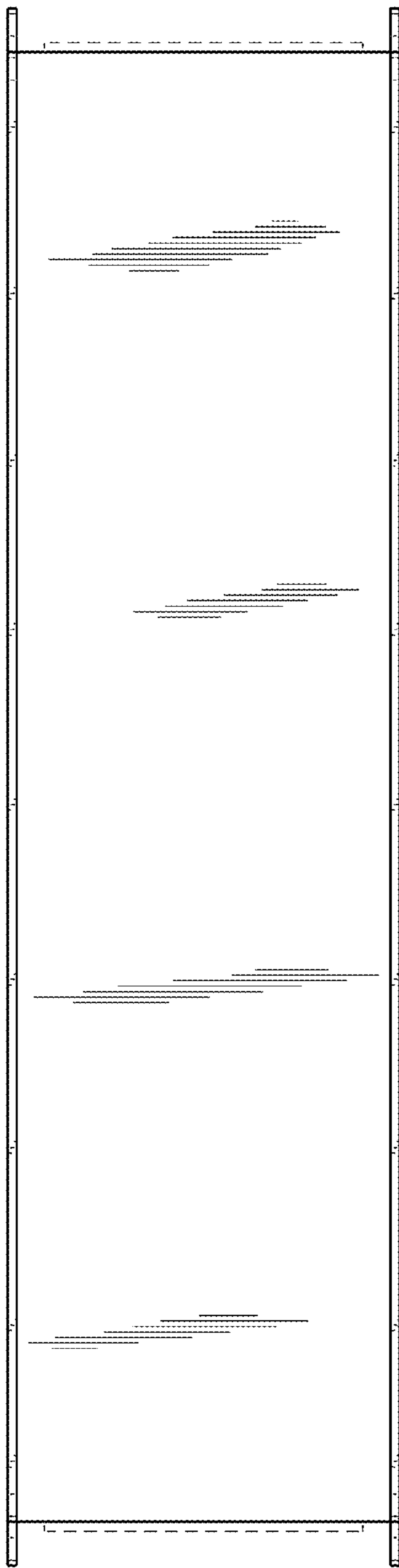


FIG. 3

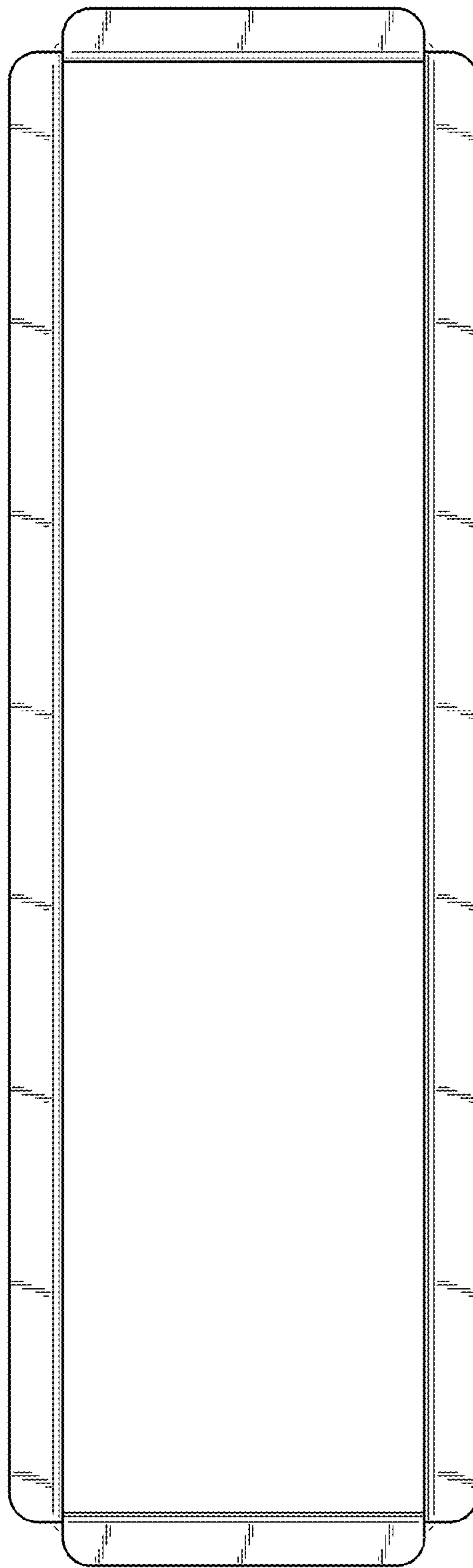


FIG. 4