



US00D699999S

(12) **United States Design Patent**
Miller

(10) **Patent No.:** **US D699,999 S**

(45) **Date of Patent:** **** Feb. 25, 2014**

(54) **TABLE TOP GRILL**

(71) Applicant: **Rankam (China) Manufacturing Co. Ltd.**, Hong Kong (CN)

(72) Inventor: **Mark Miller**, Oswego, IL (US)

(73) Assignee: **Rankam (China) Manufacturing Co. Ltd.**, Hong Kong (CN)

(**) Term: **14 Years**

(21) Appl. No.: **29/454,407**

(22) Filed: **May 9, 2013**

(51) **LOC (10) Cl.** **07-02**

(52) **U.S. Cl.**
USPC **D7/337**

(58) **Field of Classification Search**
USPC D7/332, 334-337, 402-405, 407-409;
126/25 R, 25 A, 25 AA, 25 B, 9 R, 9 B,
126/41 R, 37 R, 40, 50; D6/574

See application file for complete search history.

(56) **References Cited**

U.S. PATENT DOCUMENTS

D468,151 S *	1/2003	Yeh et al.	D7/337
D473,415 S *	4/2003	Yeh	D7/337
D478,772 S *	8/2003	Chung	D7/337
D600,968 S *	9/2009	Chung	D7/337
D631,686 S *	2/2011	Tiller et al.	D7/337
D677,111 S *	3/2013	Chung	D7/337

* cited by examiner

Primary Examiner — Ruth McInroy

(74) *Attorney, Agent, or Firm* — Leydig, Voit & Mayer, Ltd.

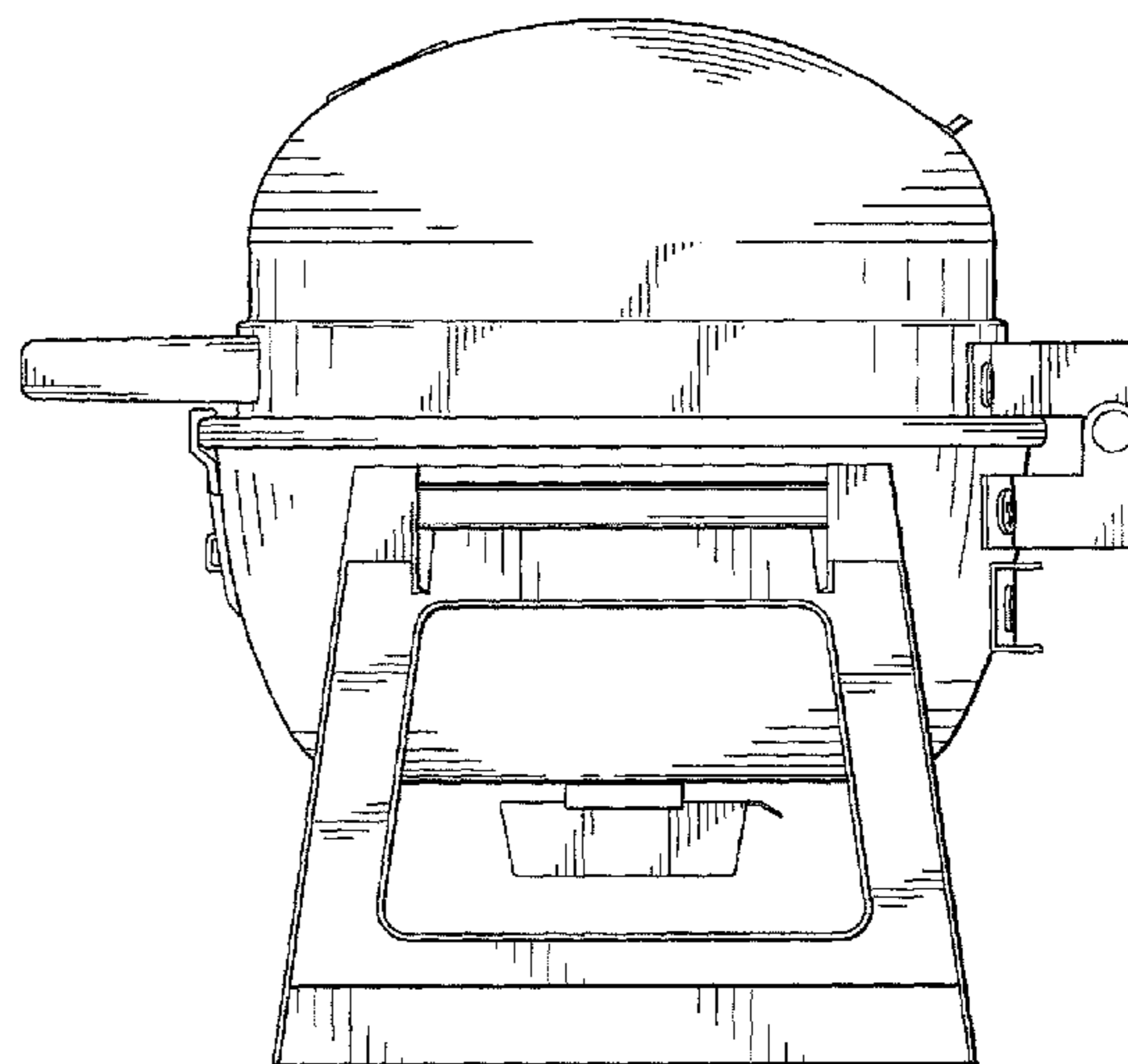
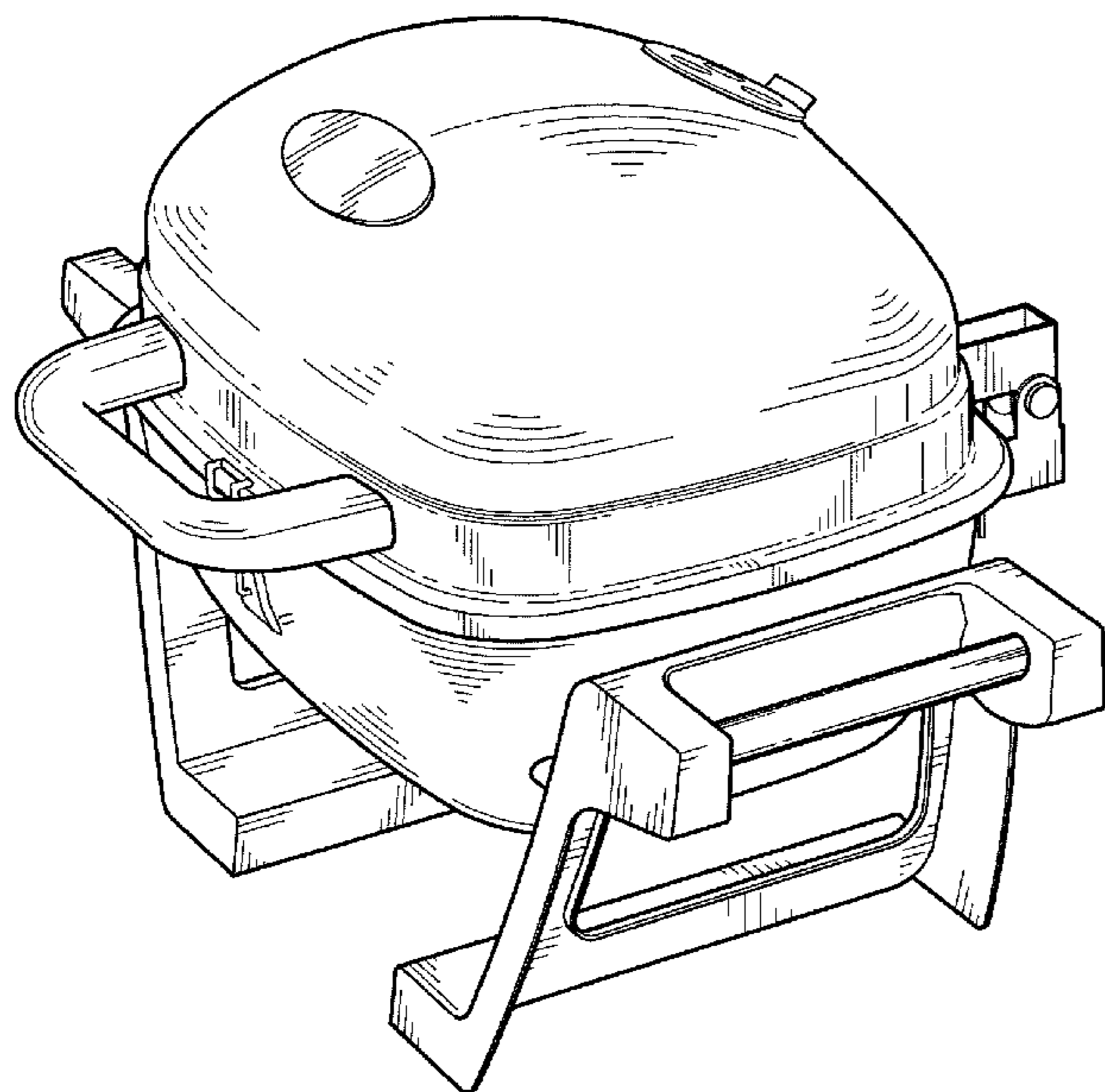
(57) **CLAIM**

The ornamental design for a table top grill, as shown and described.

DESCRIPTION

FIG. 1 is a front and right side perspective view of a table top grill showing my new design;
FIG. 2 is a front view thereof;
FIG. 3 is a rear view thereof;
FIG. 4 is a left side view thereof;
FIG. 5 is a right side view thereof;
FIG. 6 is a top view thereof; and,
FIG. 7 is a bottom perspective view thereof.

1 Claim, 7 Drawing Sheets



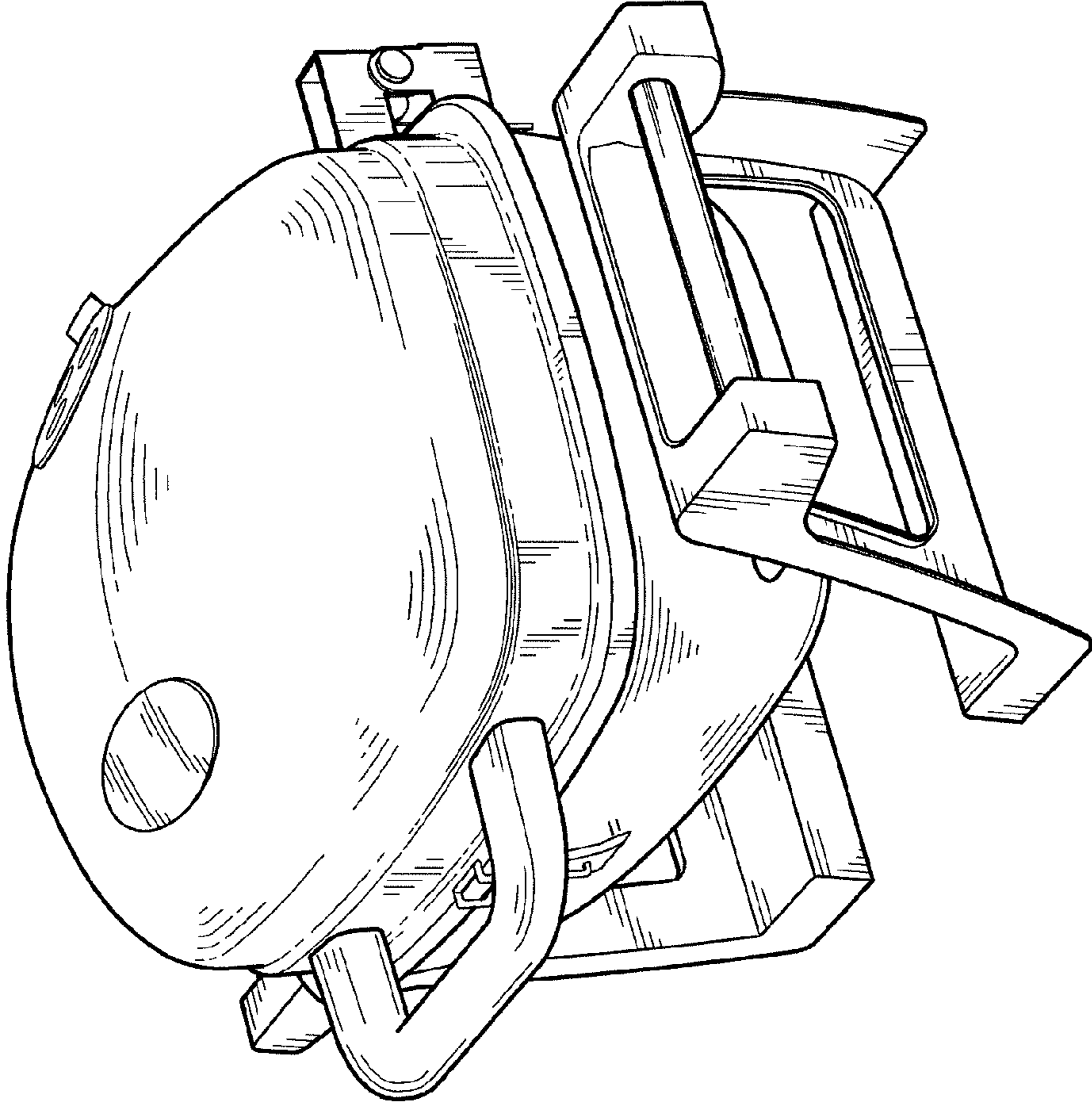


Fig. 1

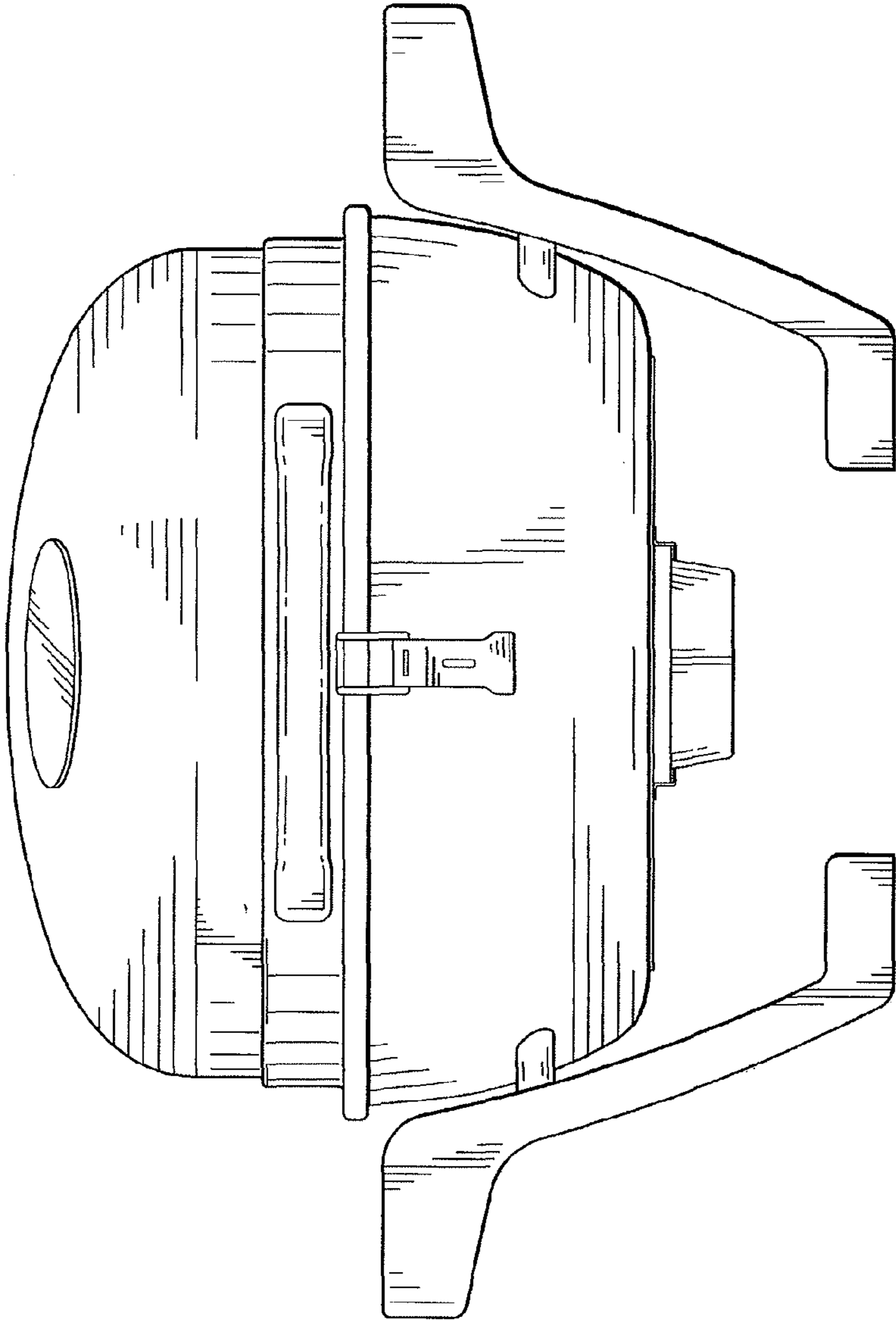


Fig. 2

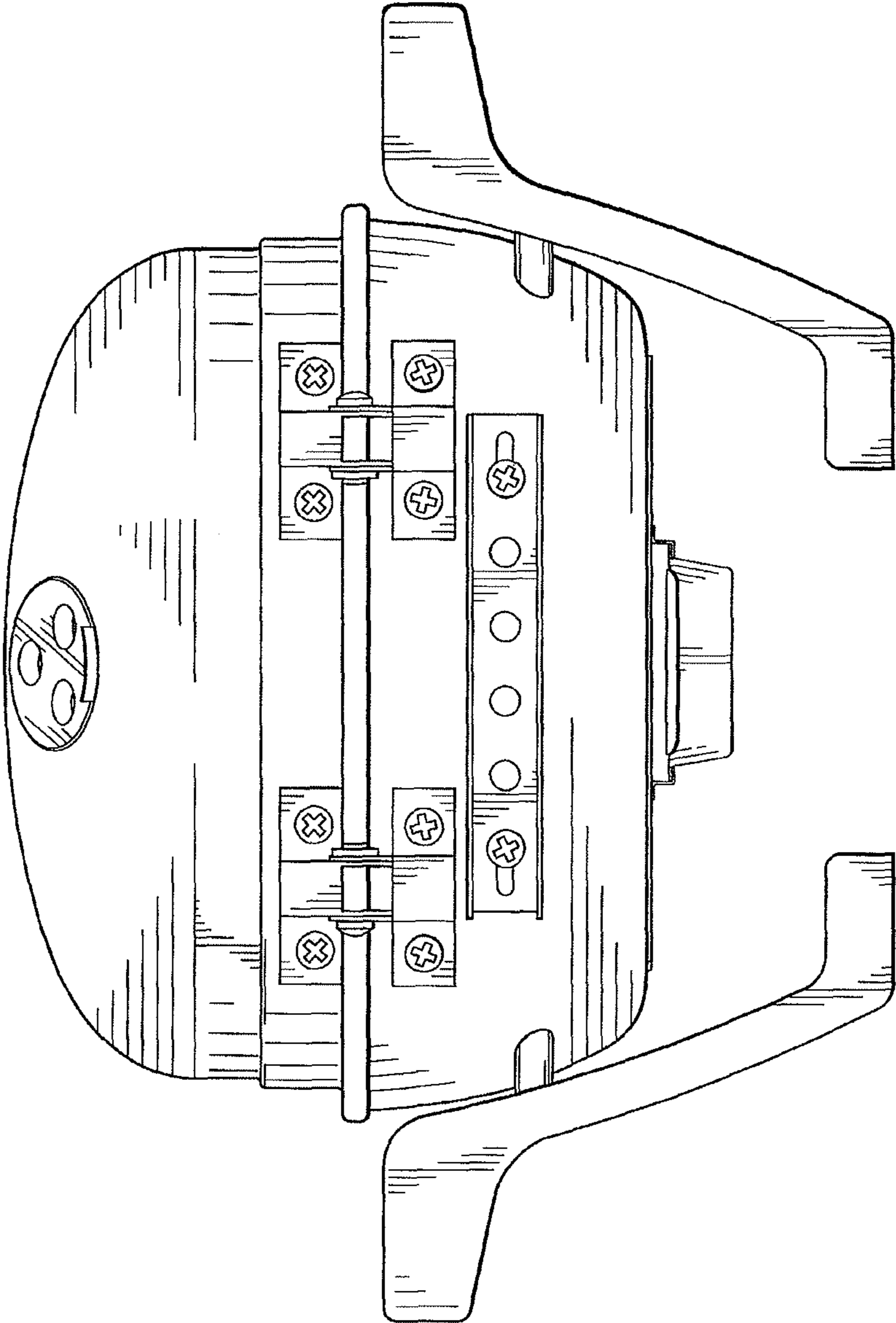


Fig. 3

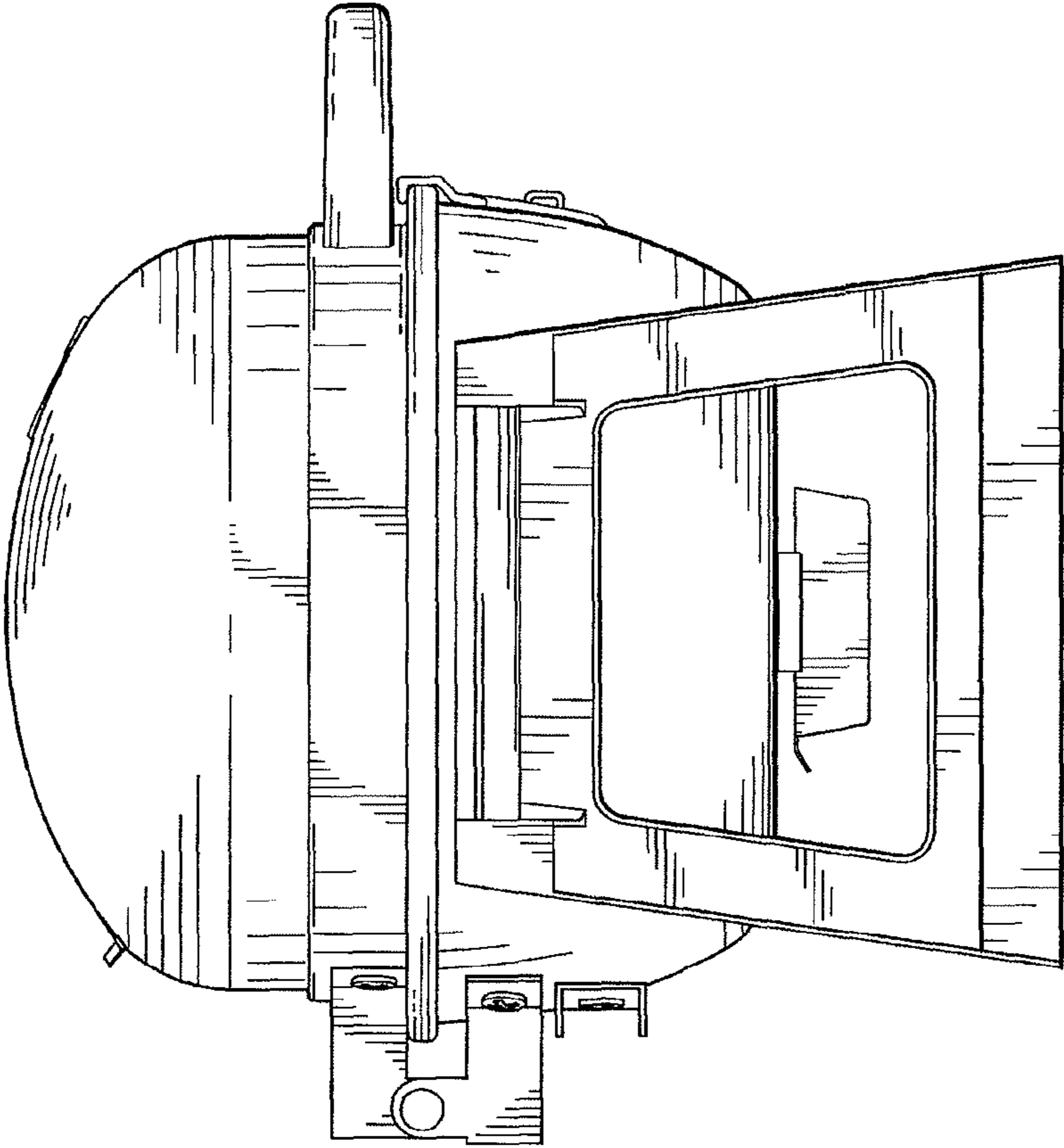


Fig. 4

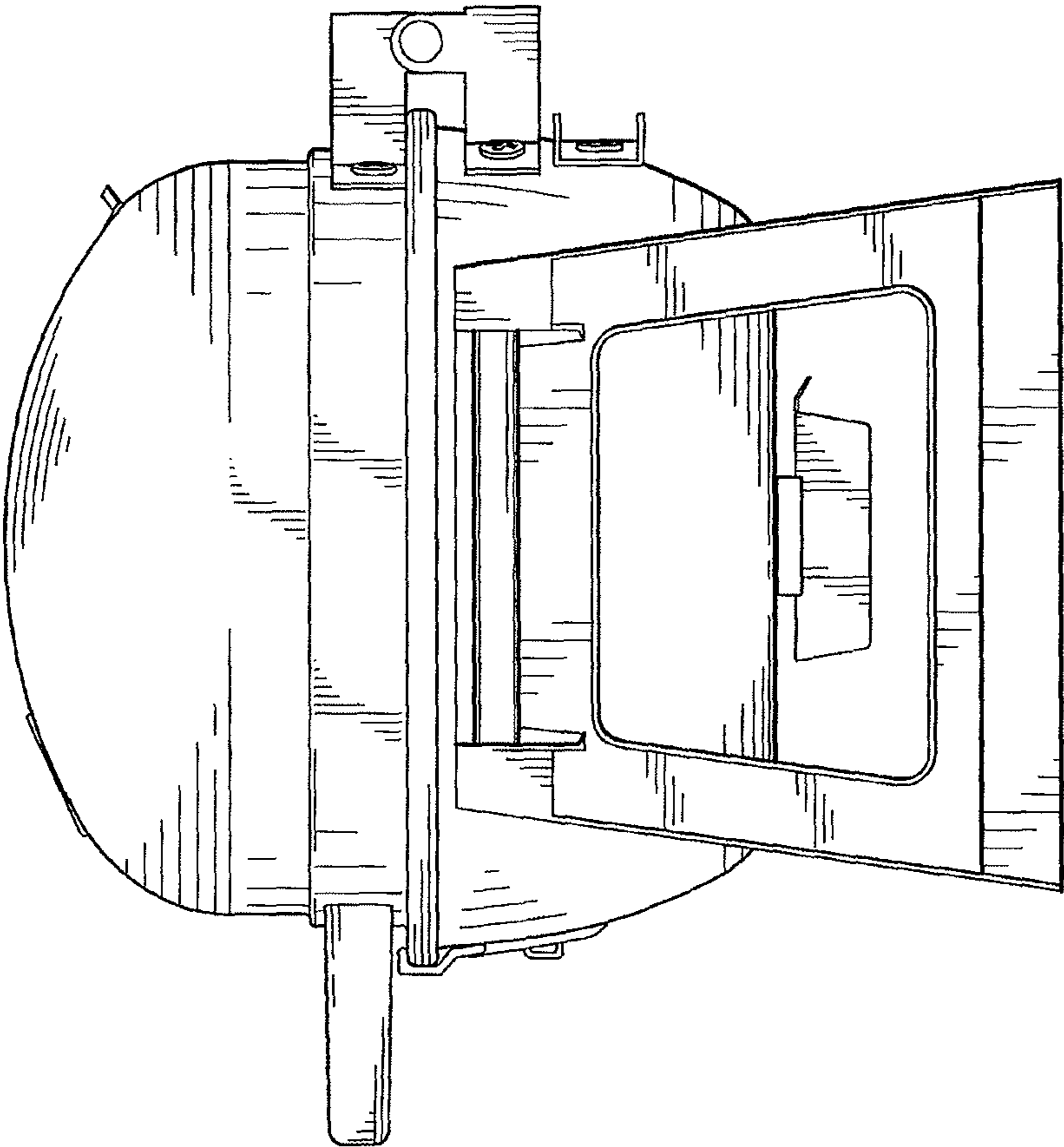


Fig. 5

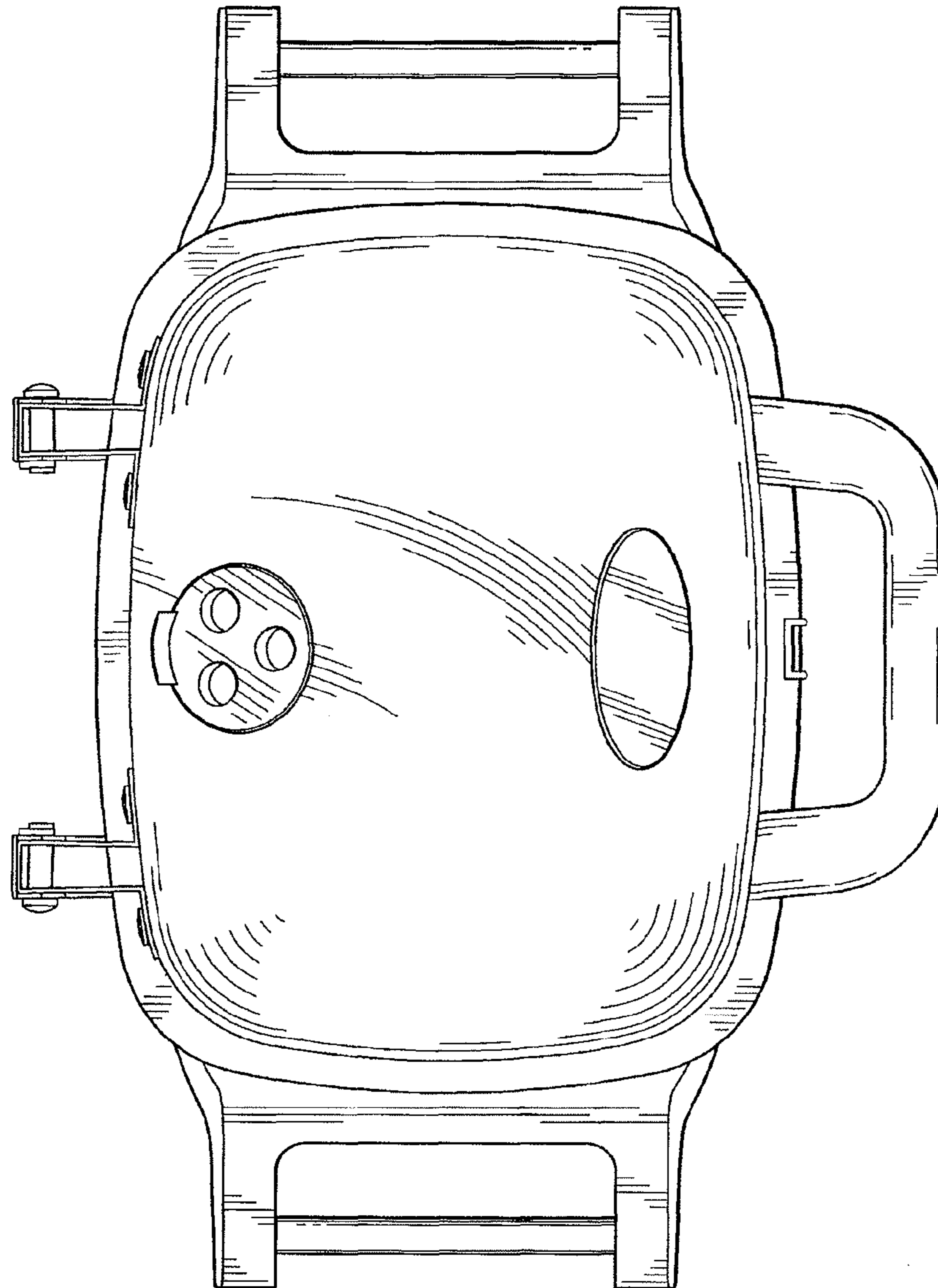


Fig. 6

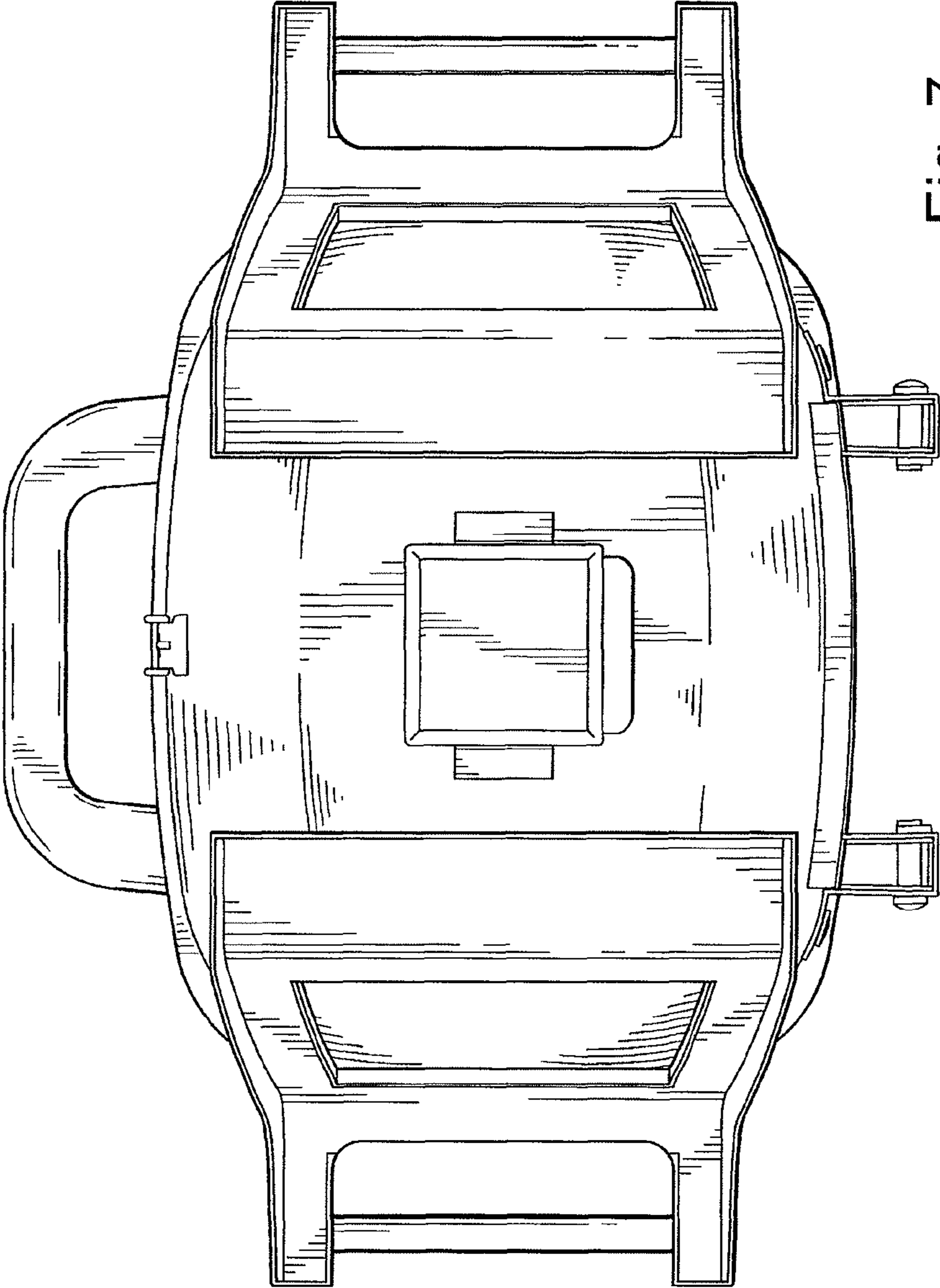


Fig. 7