

US00D699998S

(12) **United States Design Patent**
Liu

(10) **Patent No.:** **US D699,998 S**

(45) **Date of Patent:** **** Feb. 25, 2014**

(54) **BEVERAGE-MAKING POT**
(71) Applicant: **Ming-Tung Liu**, Taipei (TW)
(72) Inventor: **Ming-Tung Liu**, Taipei (TW)
(**) Term: **14 Years**

(21) Appl. No.: **29/460,947**

(22) Filed: **Jul. 17, 2013**

(51) **LOC (10) Cl.** **07-01**

(52) **U.S. Cl.**
USPC **D7/319**; D7/622; D7/536

(58) **Field of Classification Search**
USPC D7/536, 319, 318, 600, 622, 624.2, 361,
D7/624.1; 215/395; 220/737, 741; 99/287,
99/295, 297

See application file for complete search history.

(56) **References Cited**

U.S. PATENT DOCUMENTS

1,255,990 A * 2/1918 Doggett 222/108
2,600,911 A * 6/1952 Olson 220/737
2,810,503 A * 10/1957 Krueger 220/742
2,843,302 A * 7/1958 Bandy 220/737
D183,854 S * 11/1958 Moody D7/622

2,936,927 A * 5/1960 Peters 220/737
4,696,067 A * 9/1987 Woodward 4/144.1
D319,755 S * 9/1991 Guy D7/536
5,645,196 A * 7/1997 Hancuff 222/183
D408,226 S * 4/1999 Hollinger D7/622
5,927,085 A * 7/1999 Waldman 62/129
D541,594 S * 5/2007 Fleishour D7/622
7,431,362 B2 * 10/2008 Kent-Fawkes 294/32
D639,118 S * 6/2011 Huang D7/624.2

* cited by examiner

Primary Examiner — Marianne Pandozzi

(74) *Attorney, Agent, or Firm* — Bacon & Thomas, PLLC

(57) **CLAIM**

The ornamental design for a beverage-making pot, as shown and described.

DESCRIPTION

FIG. 1 is a perspective view of a beverage-making pot showing my new design;

FIG. 2 is a front elevational view thereof;

FIG. 3 is a rear elevational view thereof;

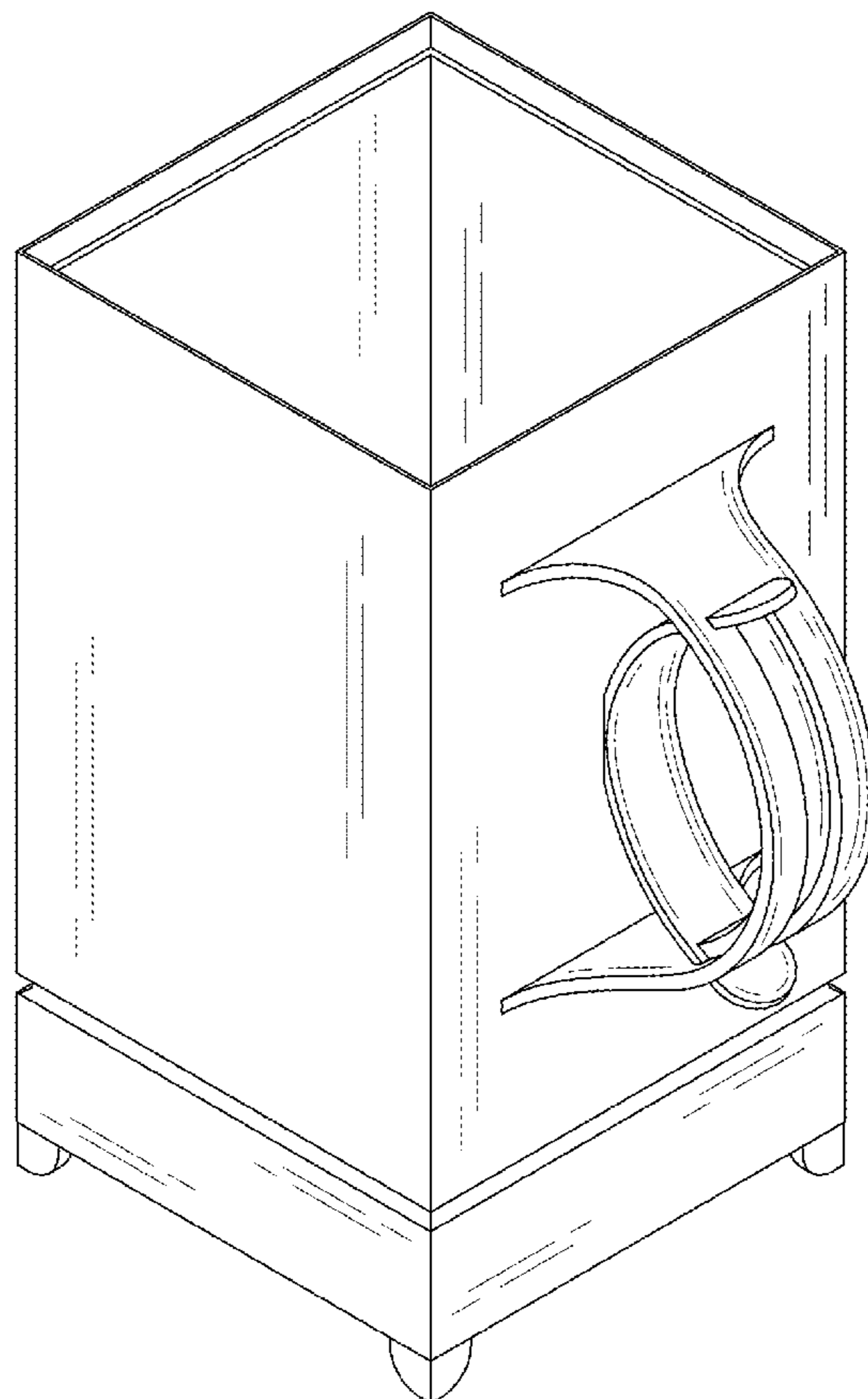
FIG. 4 is a left side elevational view thereof;

FIG. 5 is a right side elevational view thereof;

FIG. 6 is a top plan view thereof; and,

FIG. 7 is a bottom plan view thereof.

1 Claim, 6 Drawing Sheets



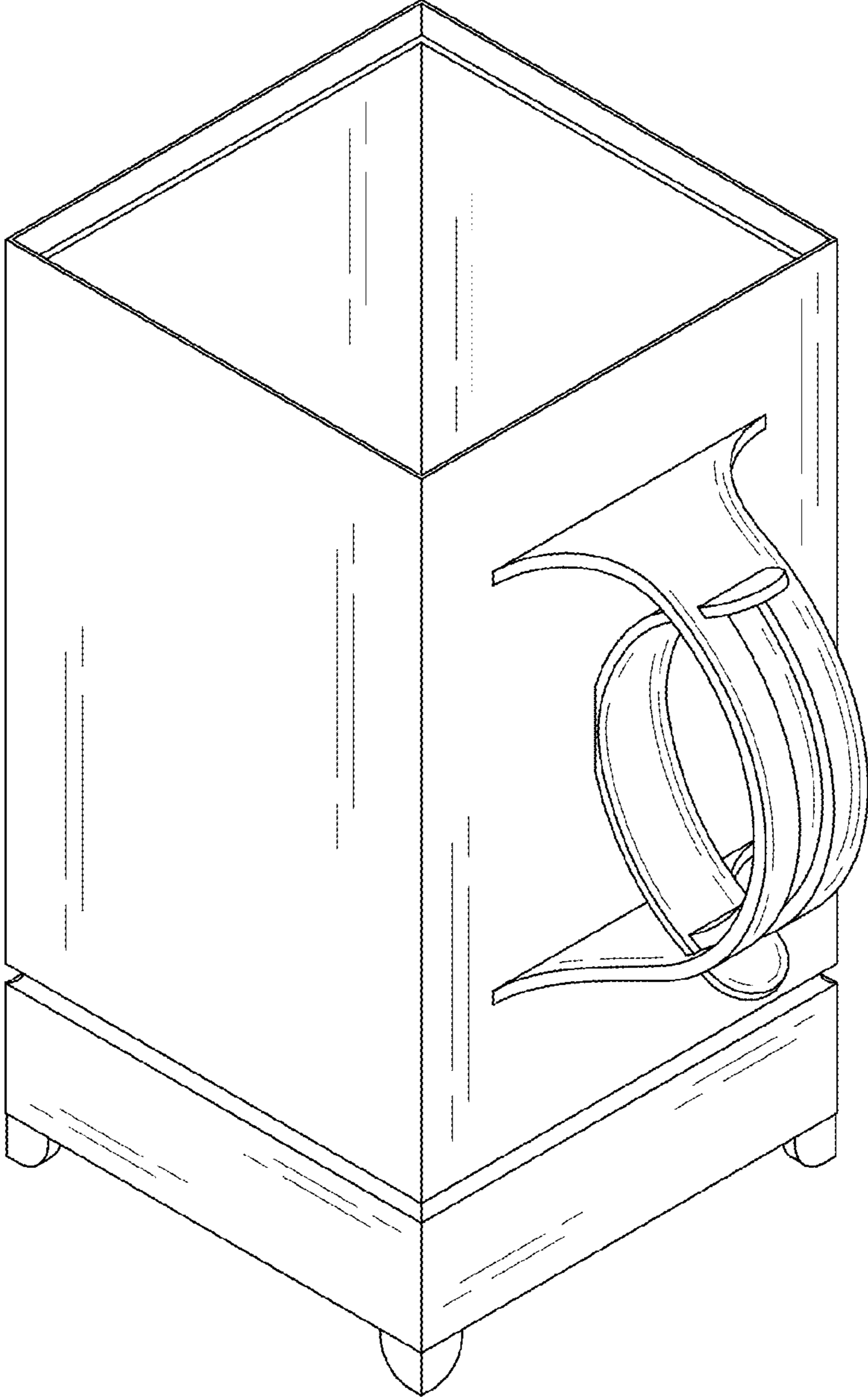


FIG. 1

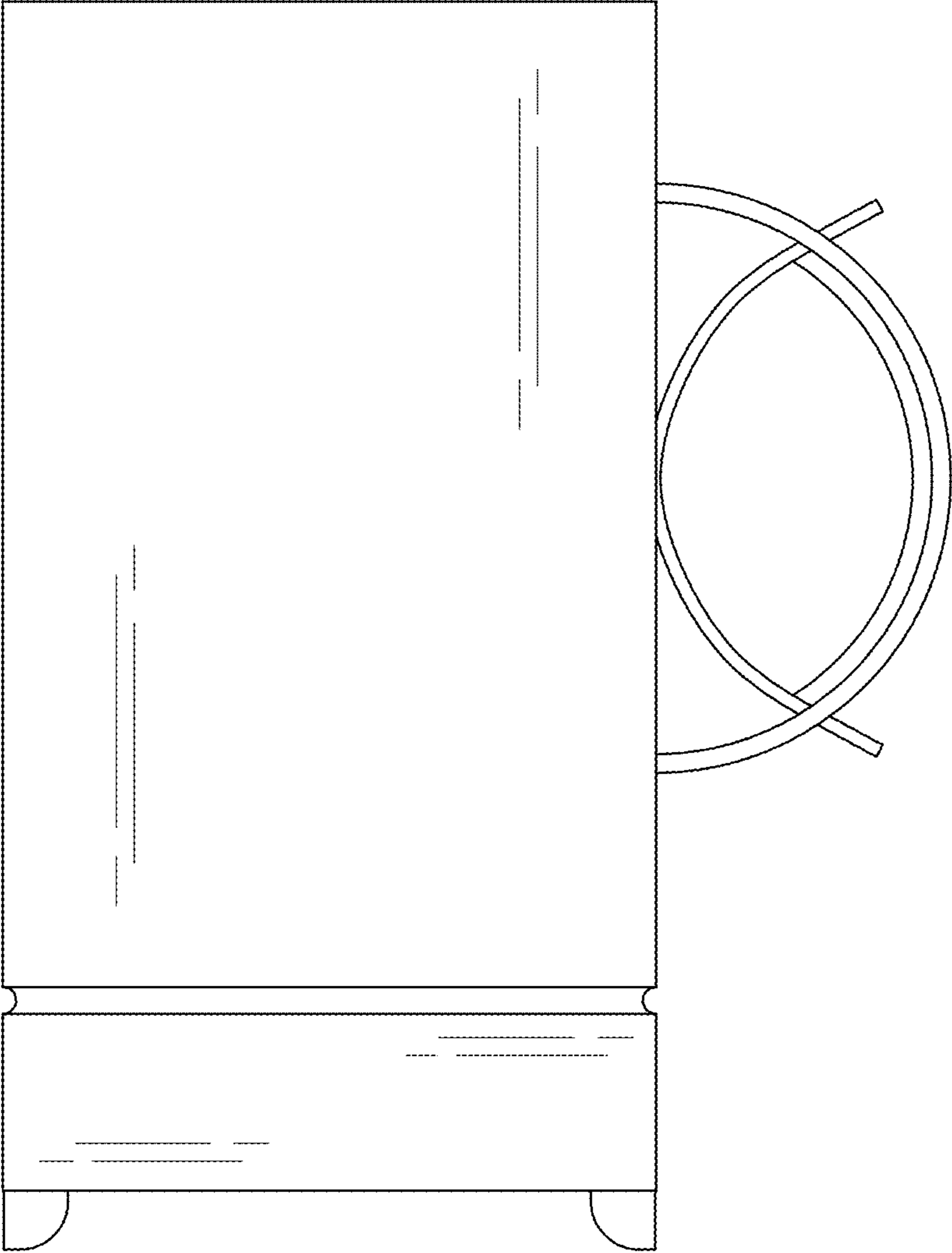


FIG. 2

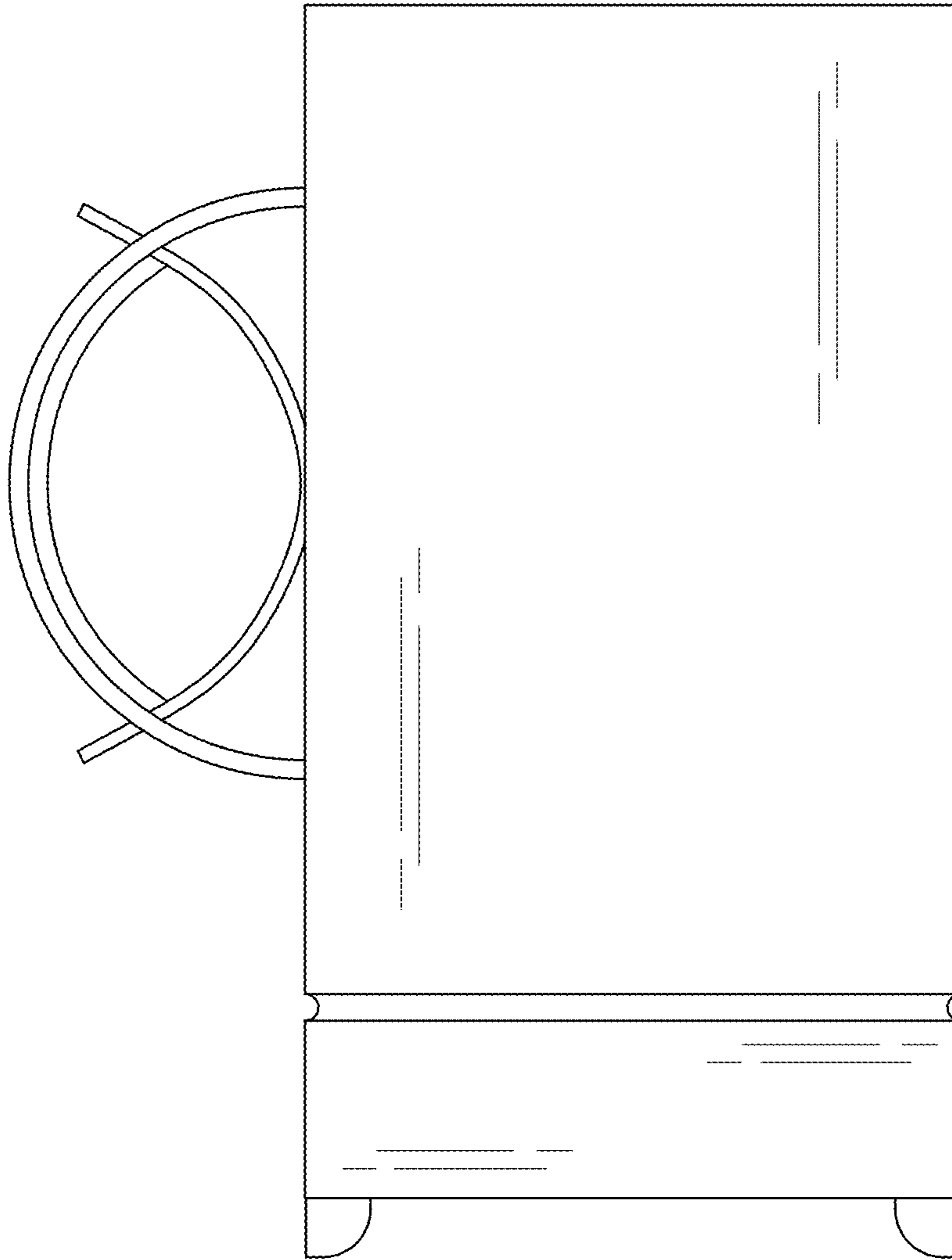


FIG. 3

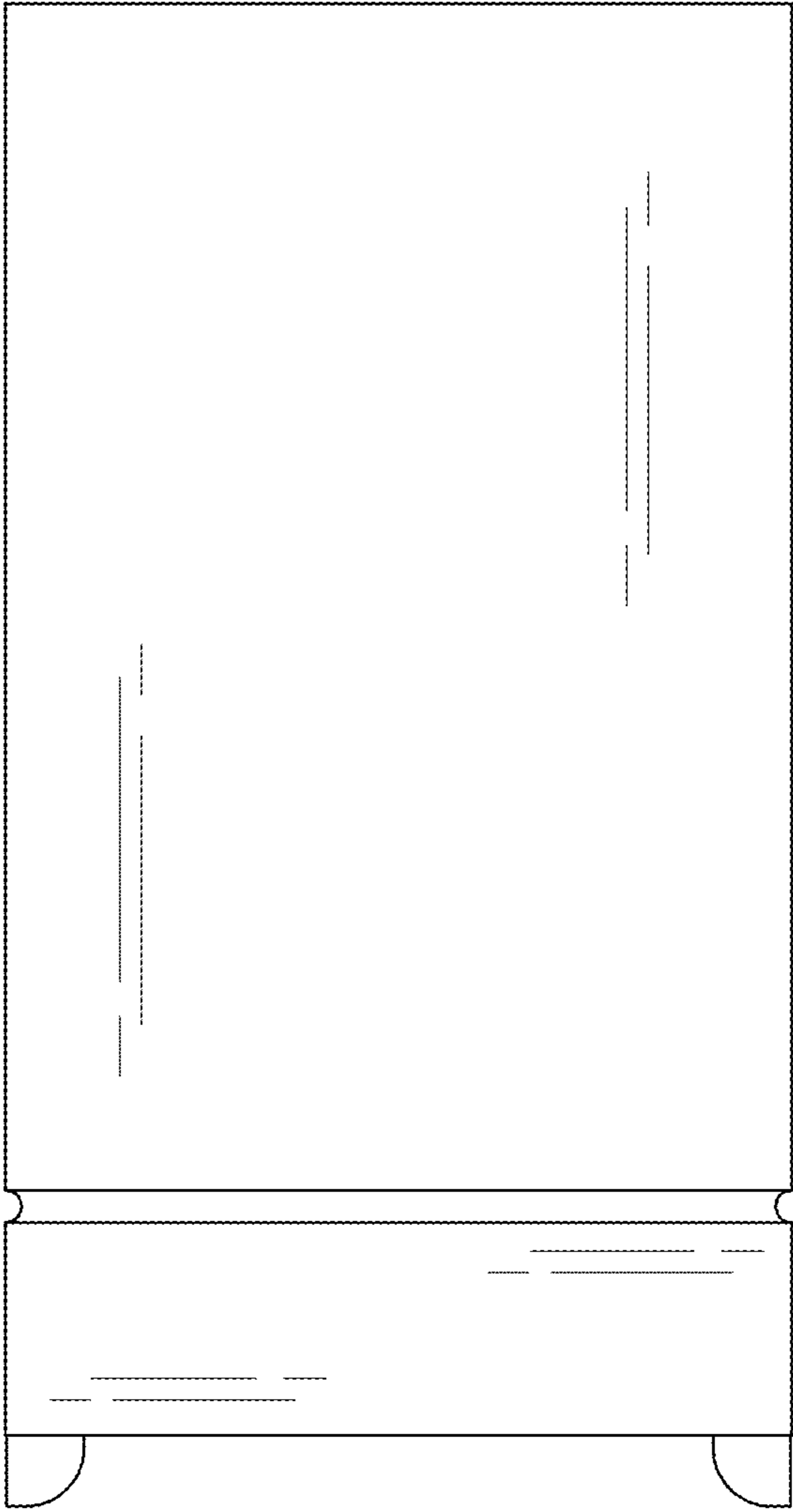


FIG. 4

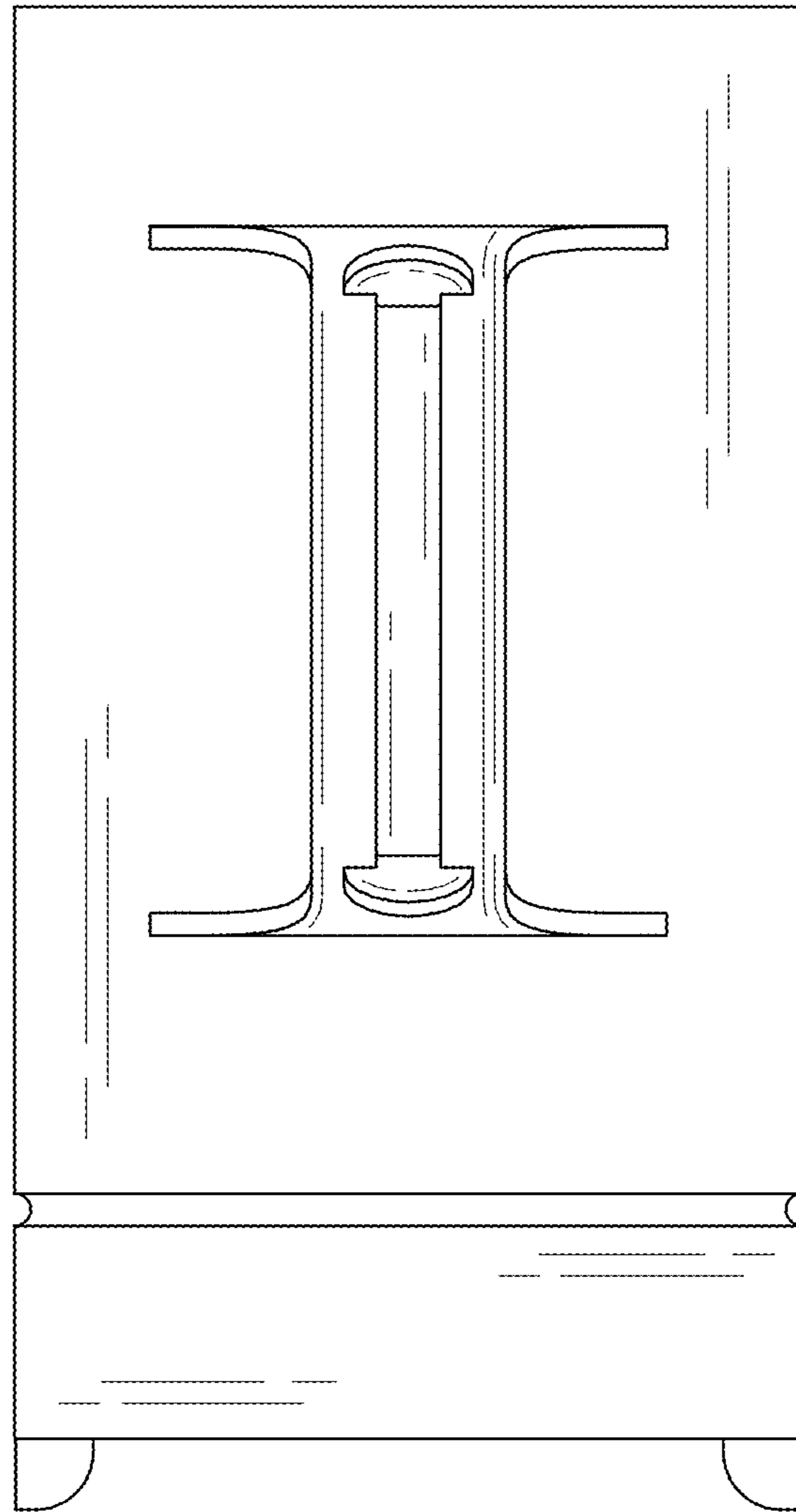


FIG. 5

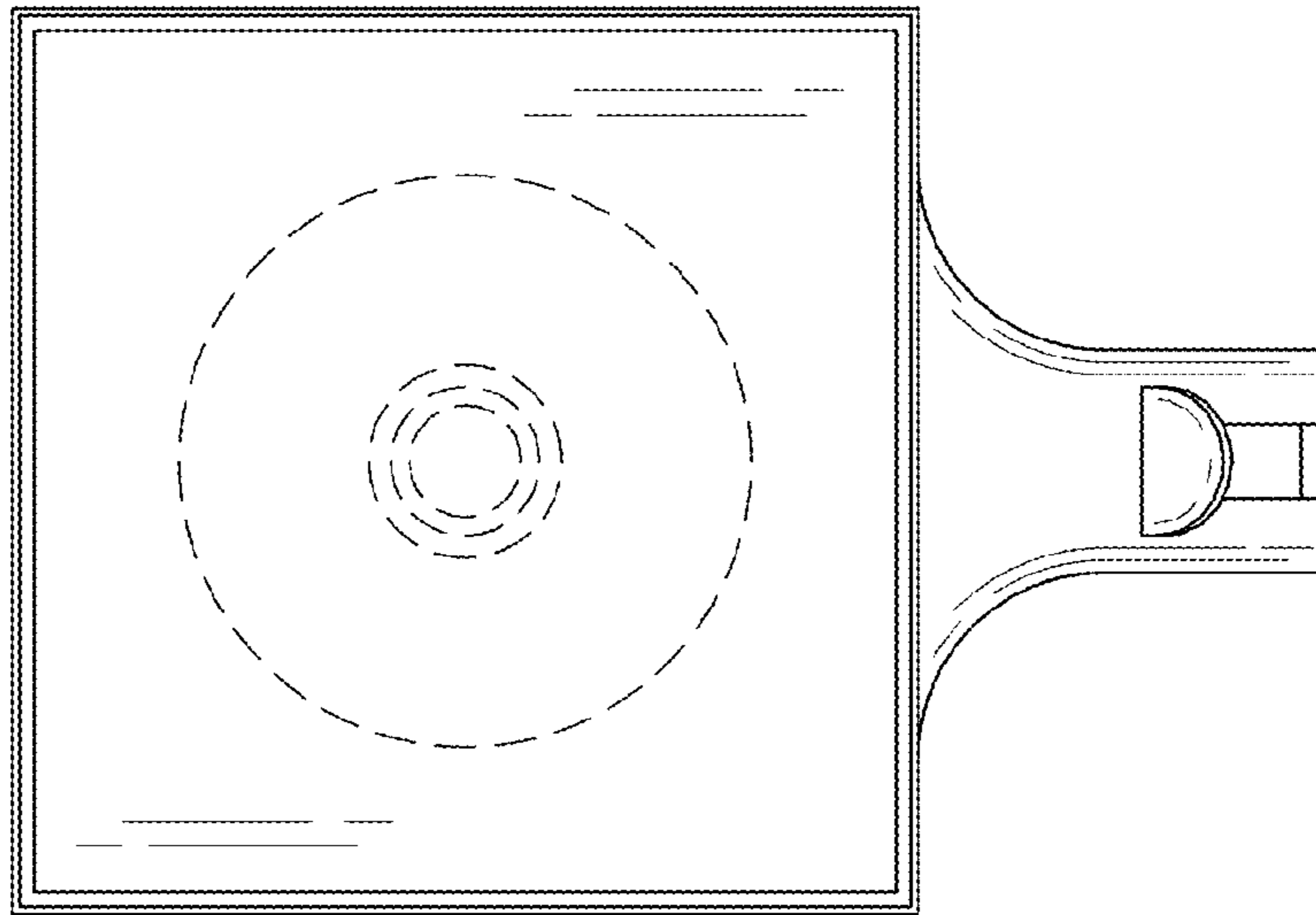


FIG. 6

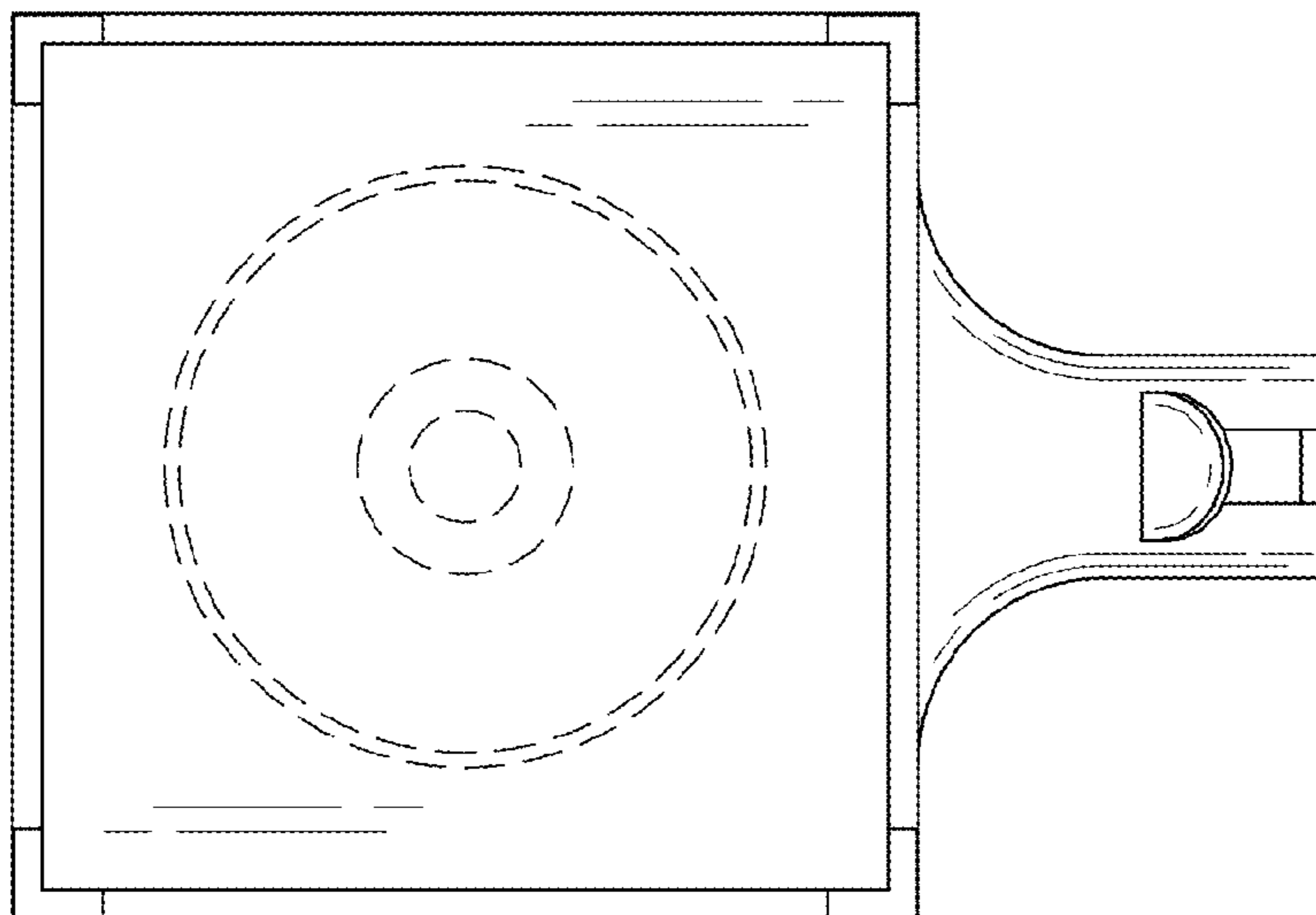


FIG. 7