

US00D69996S

(12) **United States Design Patent**
De Leo

(10) **Patent No.:** **US D699,996 S**
(45) **Date of Patent:** **** Feb. 25, 2014**

- (54) **FOOD SHAKER AND BLENDER**
- (75) Inventor: **Anthony M. De Leo**, Orlando, FL (US)
- (73) Assignee: **Dart Industries Inc.**, Orlando, FL (US)
- (**) Term: **14 Years**
- (21) Appl. No.: **29/421,661**
- (22) Filed: **Aug. 28, 2012**
- (51) **LOC (10) Cl.** **07-01**
- (52) **U.S. Cl.**
USPC **D7/300.1; D7/510; D7/511**
- (58) **Field of Classification Search**
USPC **D7/509, 523, 507, 533, 536, 532, 524, D7/527, 528, 537, 510, 511, 591, 300.1, D7/380, 598, 315, 608, 619.1; 220/678, 220/738, 4.03, 598; 215/365, 377, 386, 215/11.1; 248/145.3; D9/446**
See application file for complete search history.

D580,227 S *	11/2008	Roth et al.	D7/510
D597,365 S	8/2009	Oas	
D621,220 S *	8/2010	Lown et al.	D7/510
D632,918 S	2/2011	Gordon	
D644,065 S	8/2011	Llerena	
D646,919 S	10/2011	Nilsson	
D656,357 S	3/2012	Enghard	
D666,047 S *	8/2012	Lin	D7/300.1
D677,121 S *	3/2013	Meyers et al.	D7/510
D683,575 S *	6/2013	Devlin	D7/300.1
D687,661 S *	8/2013	Cetera et al.	D7/300.1
D688,520 S *	8/2013	Lin	D7/507

* cited by examiner

Primary Examiner — Marianne Pandozzi
(74) *Attorney, Agent, or Firm* — John A. Doninger

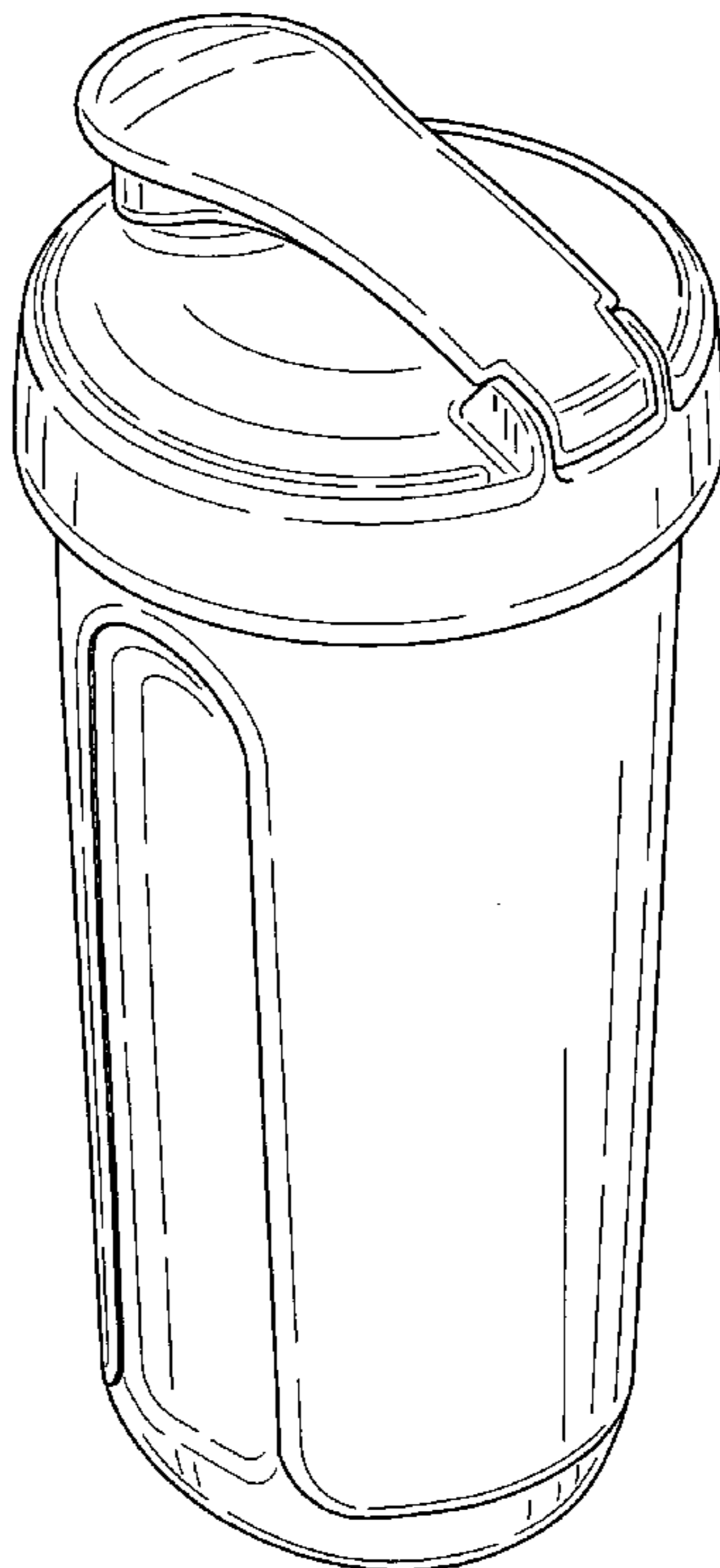
(57) **CLAIM**
The ornamental design for a food shaker and blender, as shown and described.

DESCRIPTION

FIG. 1 is a top, side and front perspective view of a food shaker and blender showing my new design;
FIG. 2 is a front elevation view, the rear elevation being a mirror image thereof;
FIG. 3 is a right side elevation view thereof;
FIG. 4 is a left side elevation view thereof;
FIG. 5 is a top plan view thereof;
FIG. 6 is a bottom plan view thereof;
FIG. 7 is a cross-sectional view taken along line 7-7 of FIG. 5; and,
FIG. 8 is a cross-sectional view taken along line 8-8 of FIG. 5.

1 Claim, 4 Drawing Sheets

- (56) **References Cited**
U.S. PATENT DOCUMENTS
- | | | | |
|--------------|---------|------------------|--------|
| 2,752,971 A | 7/1956 | Tupper | |
| 3,820,692 A | 6/1974 | Swett et al. | |
| D233,116 S | 10/1974 | Swett et al. | |
| D374,147 S | 10/1996 | Lillelund et al. | |
| D510,235 S | 10/2005 | Sorensen | |
| D538,597 S | 3/2007 | Kim | |
| D552,929 S | 10/2007 | de Groote | |
| D553,435 S | 10/2007 | de Groote | |
| D565,353 S * | 4/2008 | Roth et al. | D7/510 |



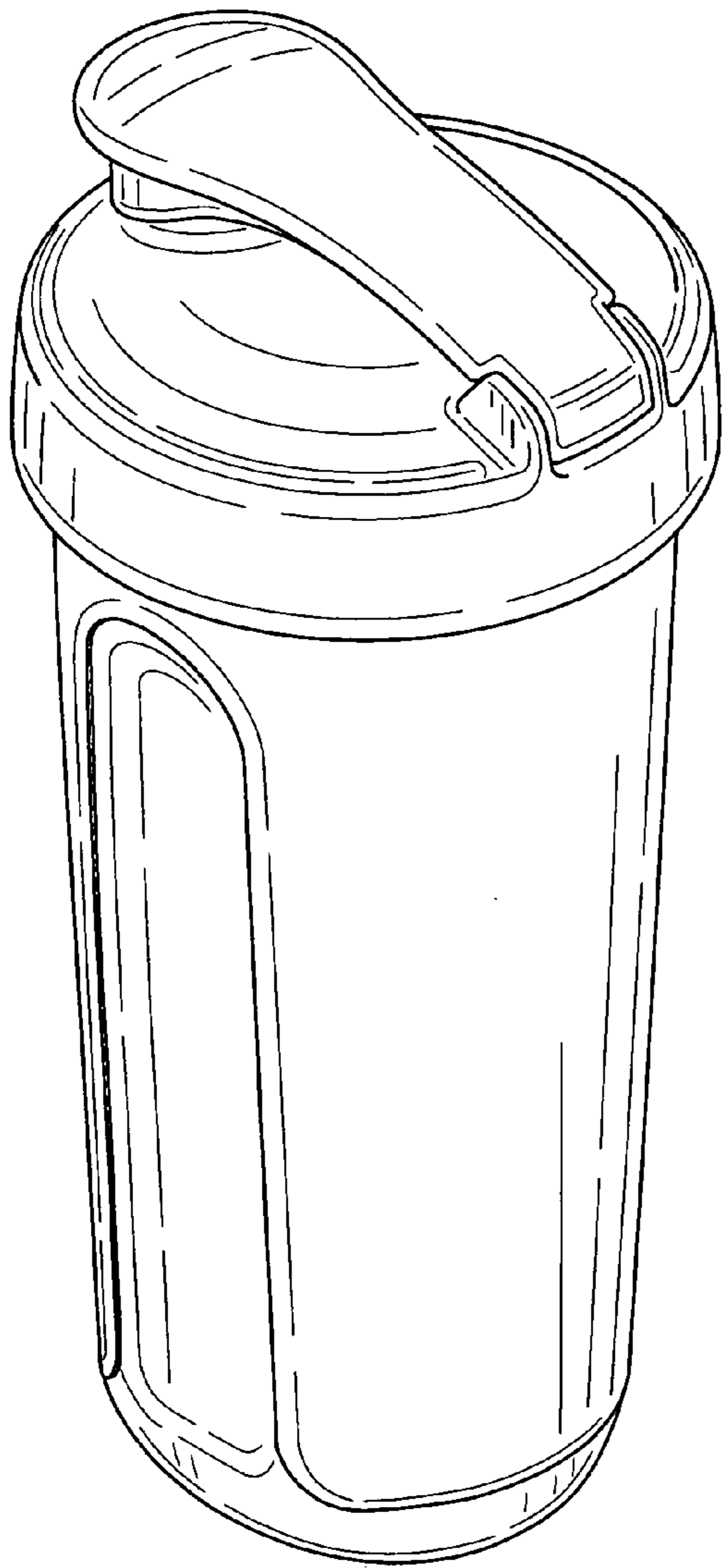


FIG. 1

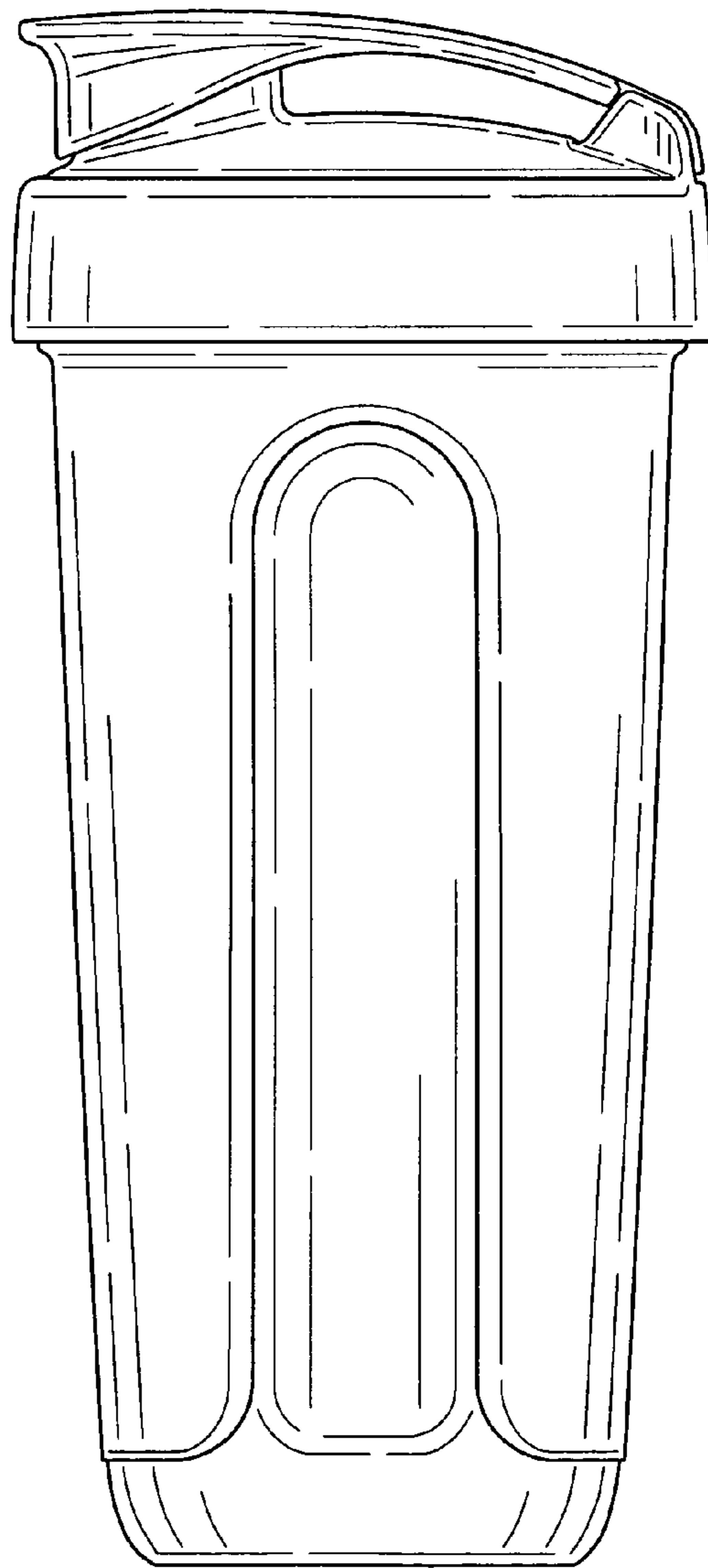


FIG. 2

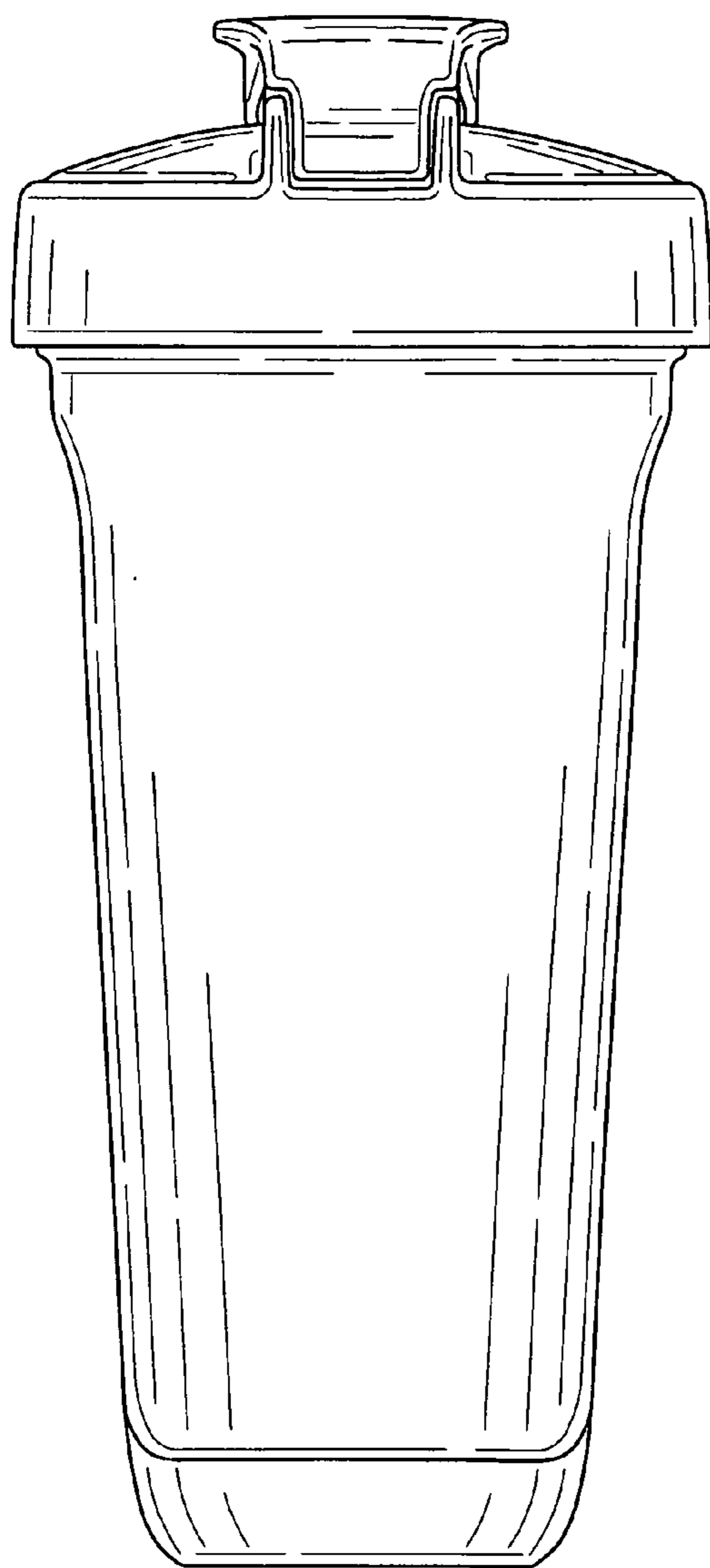


FIG. 3

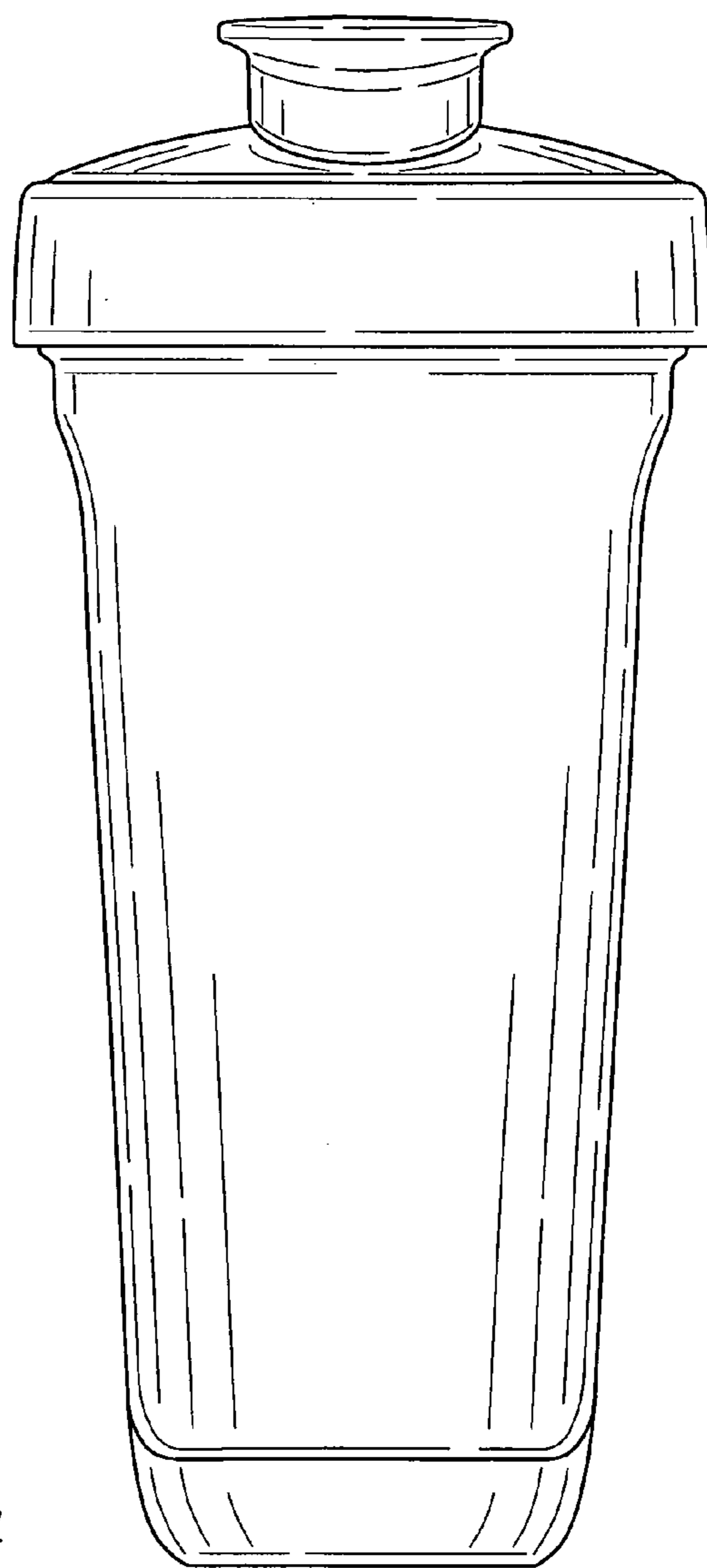


FIG. 4

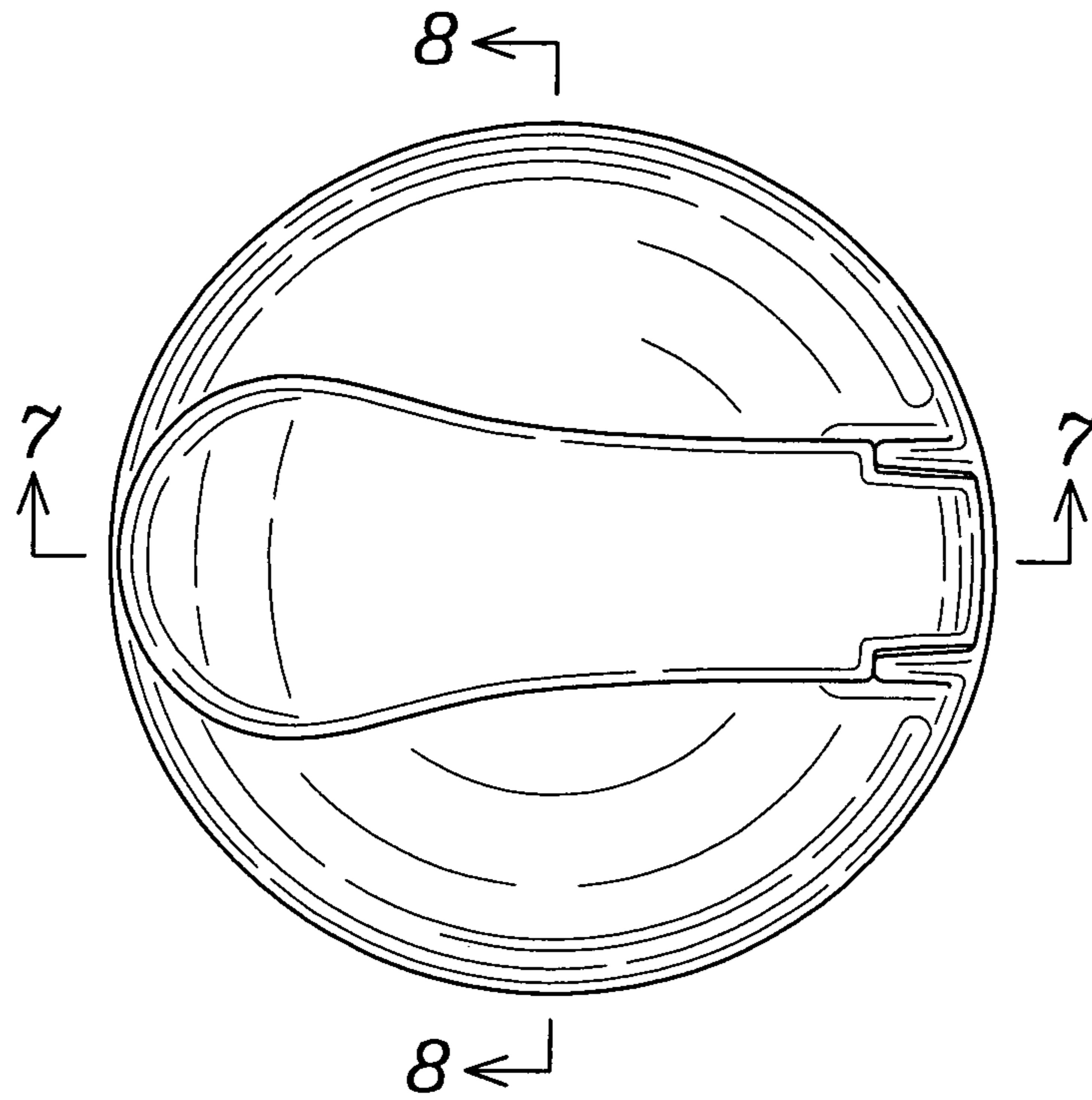


FIG. 5

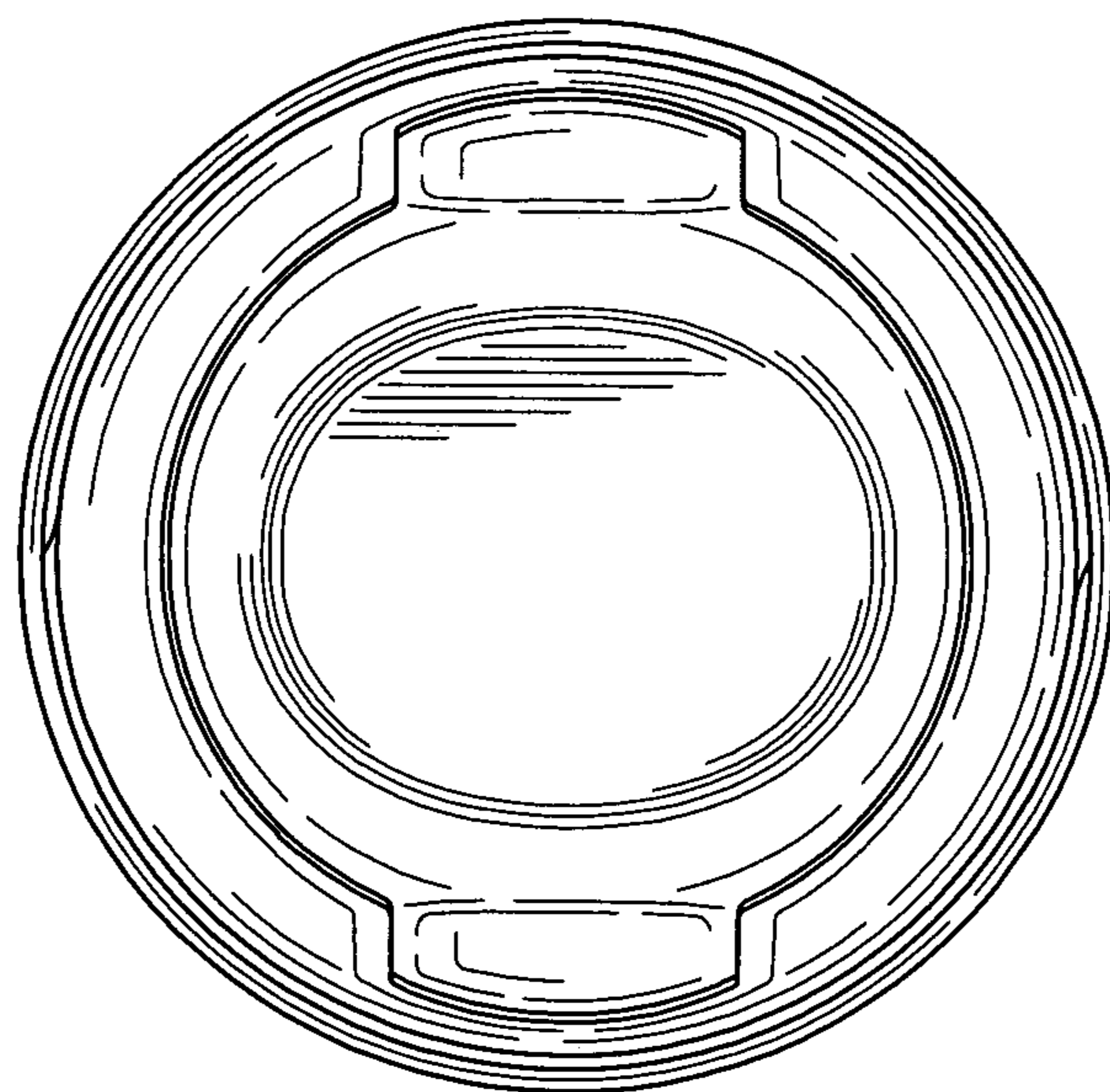


FIG. 6

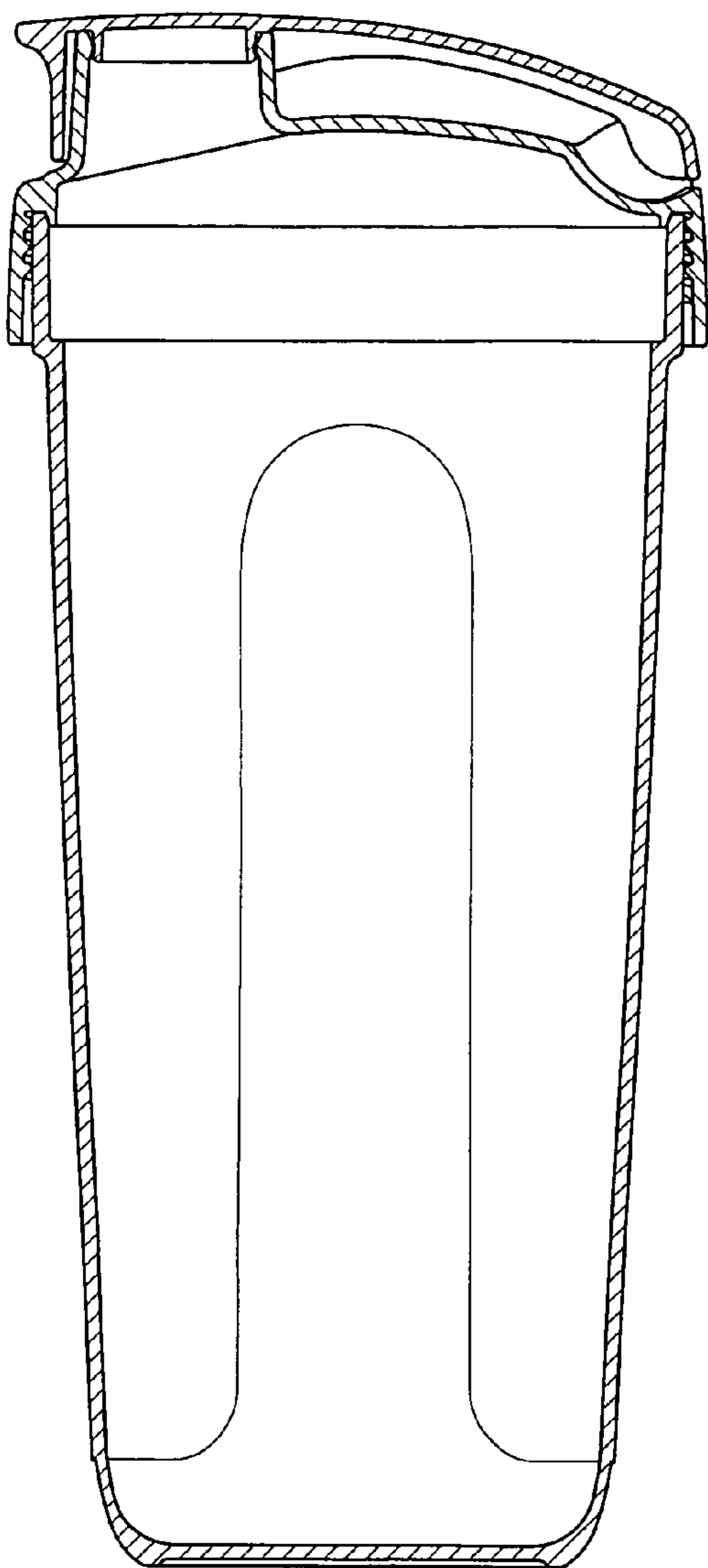


FIG. 7

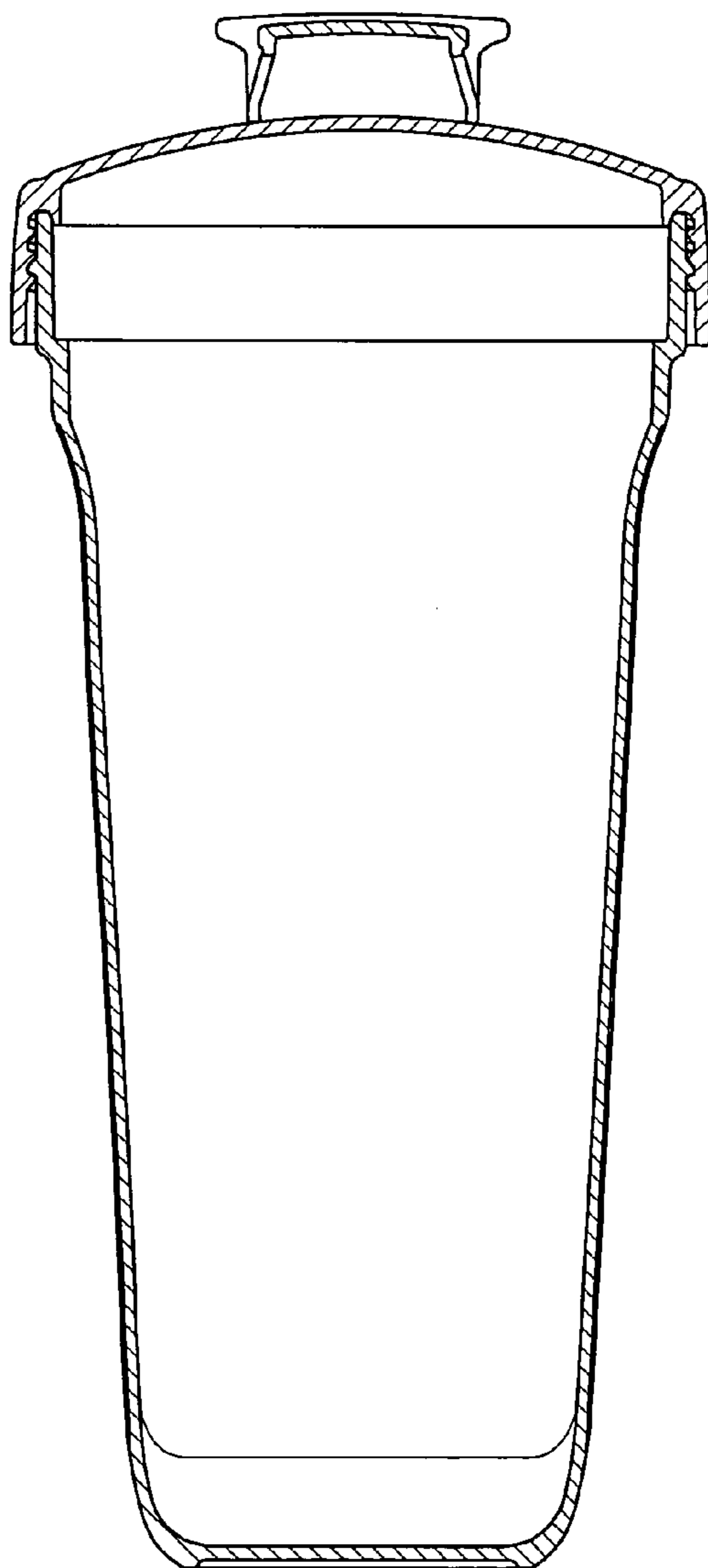


FIG. 8