



US00D699995S

(12) **United States Design Patent**
McCarty et al.

(10) **Patent No.:** **US D699,995 S**

(45) **Date of Patent:** **** Feb. 25, 2014**

(54) **CUSHION PAD FOR A BED**

(75) Inventors: **Philip Woods McCarty**, Natick, MA
(US); **Philip Reid Sherman**, Melville,
NY (US); **Chuan-Hang Shih**, Changhua
County (TW)

(73) Assignees: **Ruoey Lung Enterprise Corp.**,
Changhau County (TW); **PPJ. LLC**,
Natick, MA (US)

(**) Term: **14 Years**

(21) Appl. No.: **29/432,321**

(22) Filed: **Sep. 14, 2012**

(51) **LOC (10) Cl.** **06-06**

(52) **U.S. Cl.**
USPC **D6/718**; D6/601; D6/606

(58) **Field of Classification Search**
USPC D6/595-597, 601, 604, 382, 392, 718,
D6/406.5, 706; 5/630, 632, 636, 640, 646,
5/417, 420, 652, 653, 655, 655.9, 656,
5/907, 648, 749, 236.1, 613, 617, 618,
5/149, 620, 722; 108/83, 157.13

See application file for complete search history.

(56) **References Cited**

U.S. PATENT DOCUMENTS

726,054	A *	4/1903	Hartford	5/417
3,639,929	A *	2/1972	Ichise	5/648
3,751,028	A *	8/1973	Scheininger et al.	5/601
5,109,558	A *	5/1992	Di Blasi	5/611
6,442,779	B1 *	9/2002	LeVert et al.	5/648
7,360,265	B2 *	4/2008	Lamer	5/655
2005/0091749	A1 *	5/2005	Humbles	5/646

* cited by examiner

Primary Examiner — Janice Seeger

(74) *Attorney, Agent, or Firm* — Muncy, Geissler, Olds & Lowe, P.C.

(57) **CLAIM**

The ornamental design for cushion pad for a bed, as shown and described.

DESCRIPTION

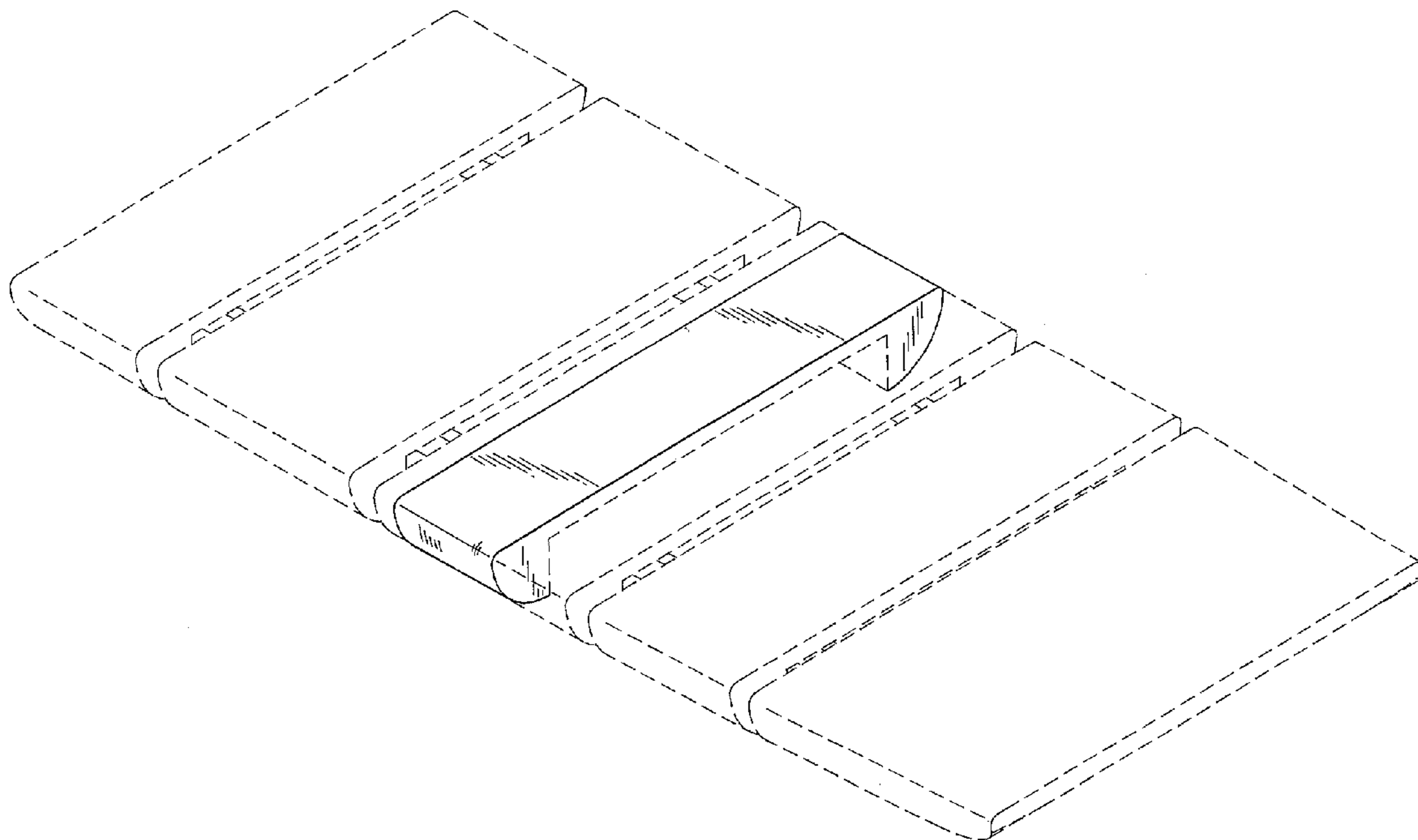
FIG. 1 shows a perspective view of the cushion pad of the present design, showing the cushion pad is use in a five-section adjustable bed.

FIG. 2 shows a right view of the cushion pad of the present design; and,

FIG. 3 is a perspective view showing an alternate environment where it is in use in a one-section bed.

The broken lines are for environmental purposes only and form no part of the claimed design.

1 Claim, 3 Drawing Sheets



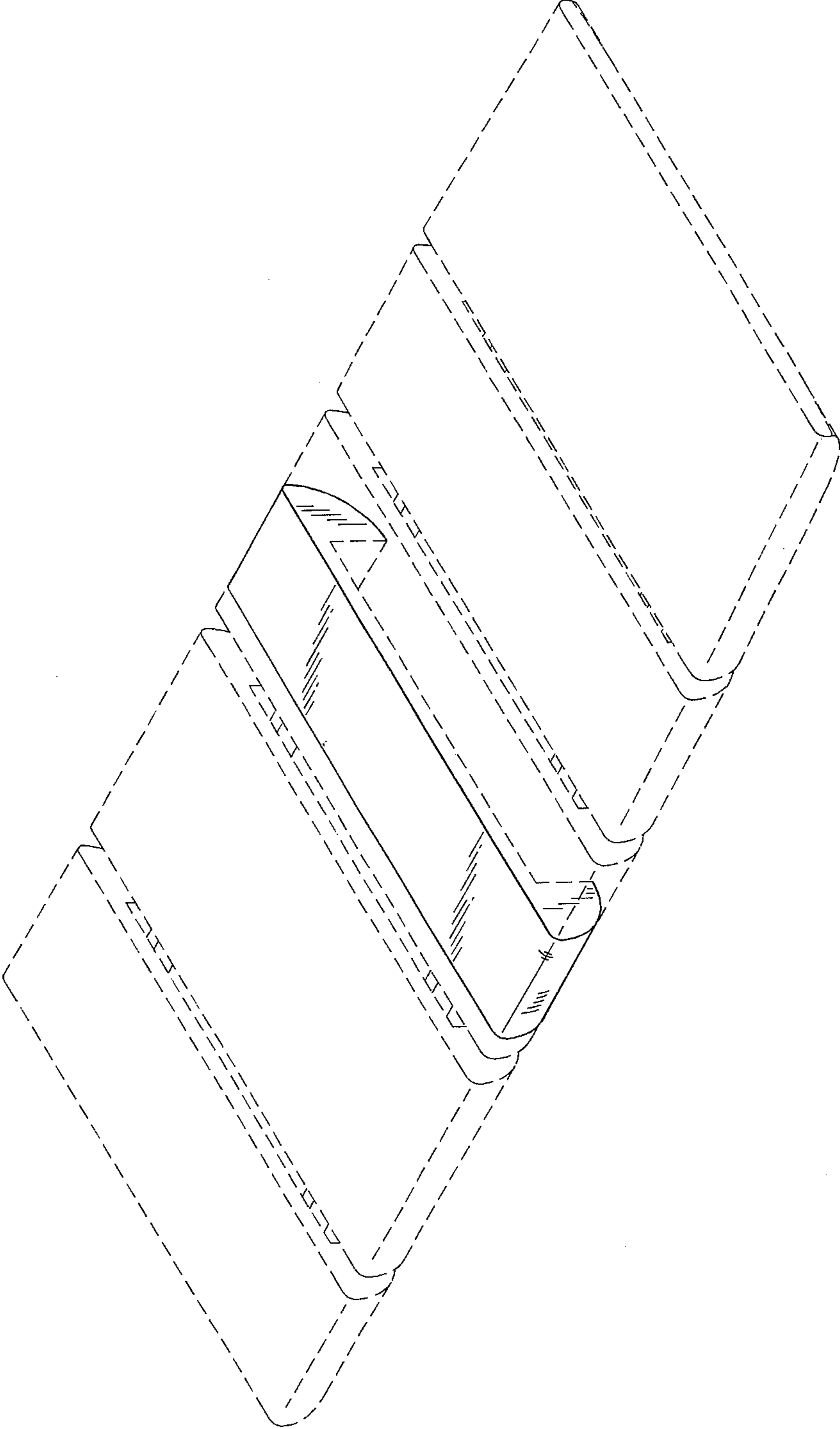


FIG. 1

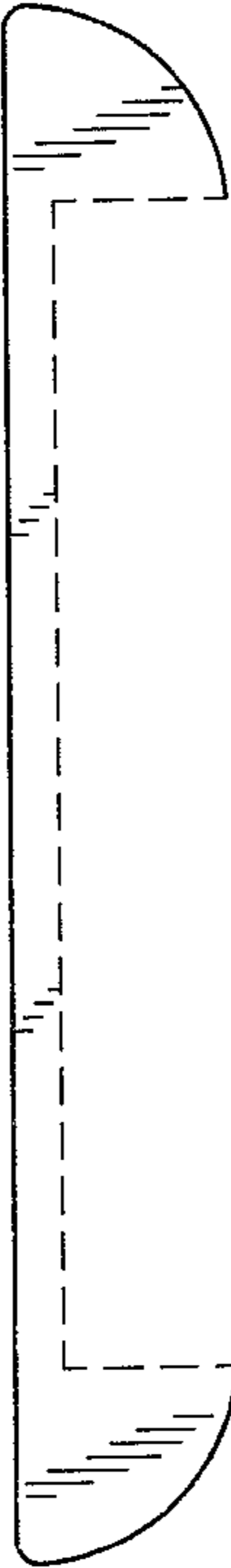


FIG. 2

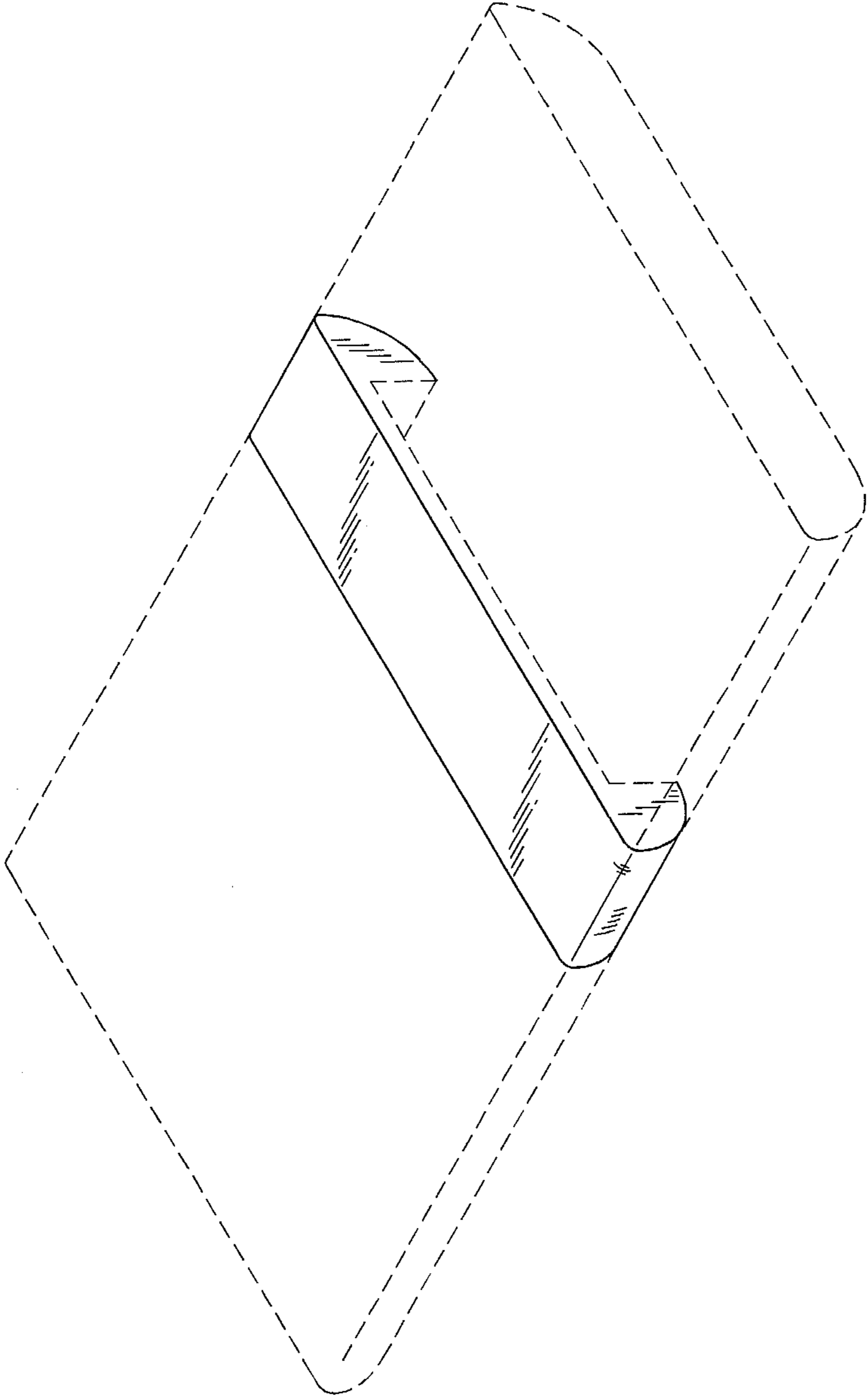


FIG. 3