



US00D69993S

(12) **United States Design Patent**
Nelson

(10) **Patent No.:** **US D699,993 S**
(45) **Date of Patent:** **** Feb. 25, 2014**

(54) **LETTER A CHAIR**

(76) Inventor: **Keith Nelson**, Grimes, IA (US)

(**) Term: **14 Years**

(21) Appl. No.: **29/393,407**

(22) Filed: **Jun. 3, 2011**

(51) **LOC (10) Cl.** **06-06**

(52) **U.S. Cl.**

USPC **D6/716.1**

(58) **Field of Classification Search**

USPC D6/334, 341, 371–375, 381, 491–492,
D6/500–502, 702, 716–716.1;
297/232–233, 239, 300.1, 311, 353,
297/445.1, 446.1, 448.1, 448.2, 452.11;
5/12.1, 12.2

See application file for complete search history.

(56) **References Cited**

U.S. PATENT DOCUMENTS

3,485,527	A	*	12/1969	Barghout	297/445.1
D239,345	S	*	3/1976	Keller	D6/375
D341,954	S	*	12/1993	Thompson	D6/374
D376,465	S	*	12/1996	Haro et al.	D1/114
D498,069	S	*	11/2004	Kreiss	D6/369
D537,263	S	*	2/2007	Berry et al.	D6/381
D549,970	S	*	9/2007	Bouroullec et al.	D6/334
D568,626	S	*	5/2008	Gharabegian	D6/374
D572,928	S	*	7/2008	Rittfeldt et al.	D6/375
D595,515	S	*	7/2009	Collette	D6/334
D601,357	S	*	10/2009	Siegel	D6/334
D609,489	S	*	2/2010	Adams et al.	D6/375
D646,096	S	*	10/2011	Langbord et al.	D6/502
D656,337	S	*	3/2012	Townsend	D6/380
D668,469	S	*	10/2012	Siegel	D6/375
D672,579	S	*	12/2012	Vass	D6/716
D676,690	S	*	2/2013	Pheasant	D6/716.4

OTHER PUBLICATIONS

Chauhan, Shikha, Hometone “Amazing Alphabet furniture for kindergarten of comfort”, Sep. 23, 2009, <http://www.hometone.com/entry/amazing-alphabet-furniture-for-kindergarten-of-comfort> [retrieved from the Internet on Aug. 17, 2012], 8 pages.

Ohri, Priyanka, Hometone “Playing with alphabet letters for unusual home decor”, Nov. 19, 2009, <http://www.hometone.com/entry/playing-with-alphabet-letters-for-unusual-home-decor> [retrieved from the Internet on Aug. 17, 2012], 13 pages.

Roeland Otten “ABCChairs (2010)”, <http://www.roelandotten.com> [retrieved from the Internet on Aug. 17, 2012], 3 pages.

Paul, Rebecca, Inhabitat, “Hair Chair: A Furry Alphabet Letter Chair Made from Corrugated Cardboard” May 19, 2011, <http://inhabitat.com/hair-chair-a-furry-alphabet-letter-chair-made-from-corrugated-cardboard>, [retrieved from the Internet on Aug. 17, 2012], 4 pages.

designboom, “sascha grewe: a-z stools”, <http://www.designboom.com/weblog/cat/8/view/10739/sascha-grewe-a-z-stools.html>, [retrieved from the Internet on Aug. 17, 2012], 7 pages.

Tambino, Tambino furnishing and accessories for kids, <http://www.tambino.com>, [retrieved from the Internet on Aug. 17, 2012], 3 pages.

Tabisso Design Furniture, <http://www.tabisso.com/home.html>, [retrieved from the Internet on Aug. 17, 2012], 1 page.

* cited by examiner

Primary Examiner — Kelley Donnelly

(74) *Attorney, Agent, or Firm* — McKee, Voorhees & Sease, P.L.C.

(57) **CLAIM**

I claim the ornamental design for the letter A chair, as shown and described.

DESCRIPTION

FIG. 1 is a perspective view of the letter A chair;

FIG. 2 is a front view thereof;

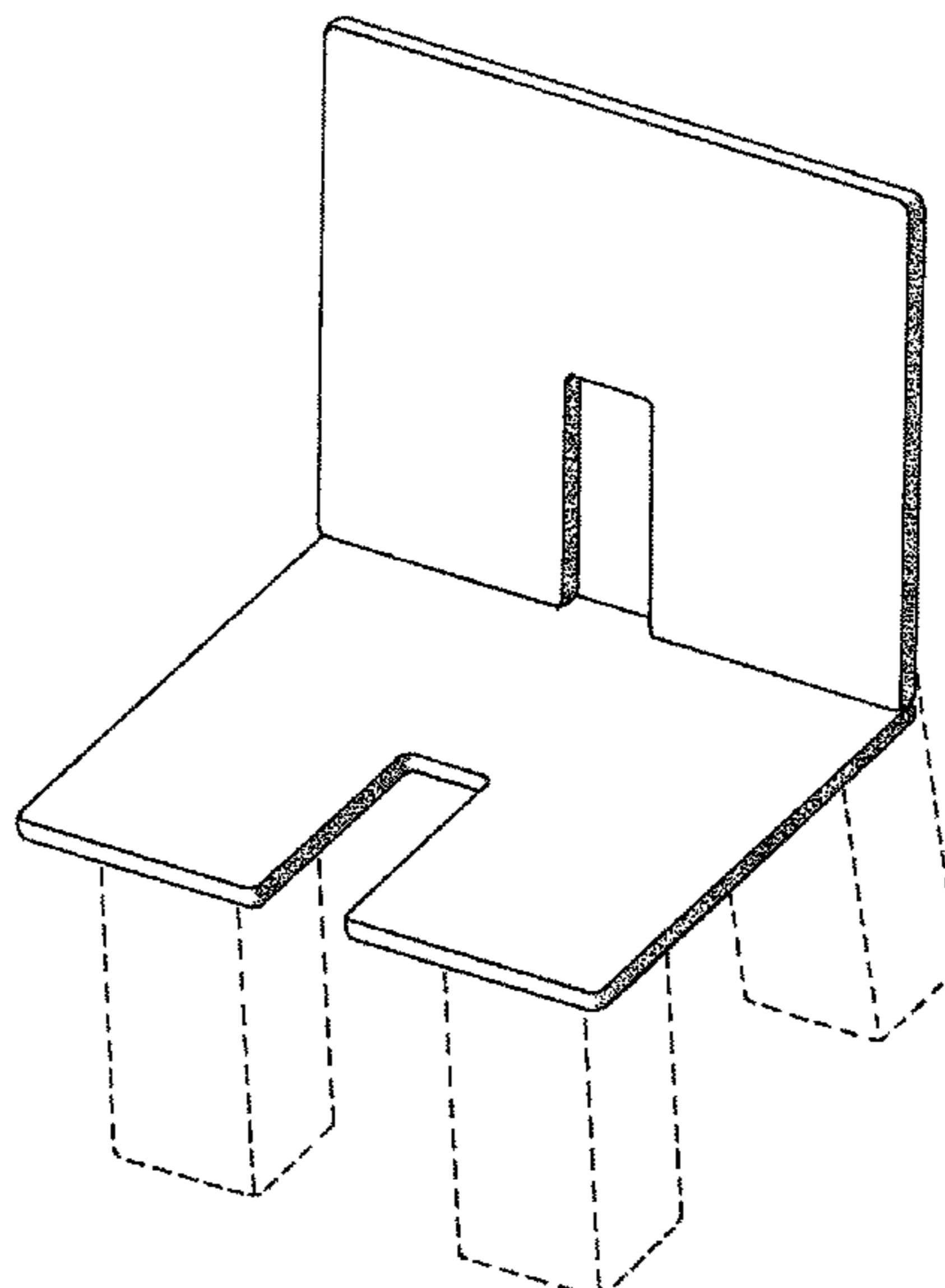
FIG. 3 is a rear view thereof;

FIG. 4 is a top view thereof;

FIG. 5 is a side view thereof; and,

FIG. 6 is an opposite side view thereof.

1 Claim, 6 Drawing Sheets



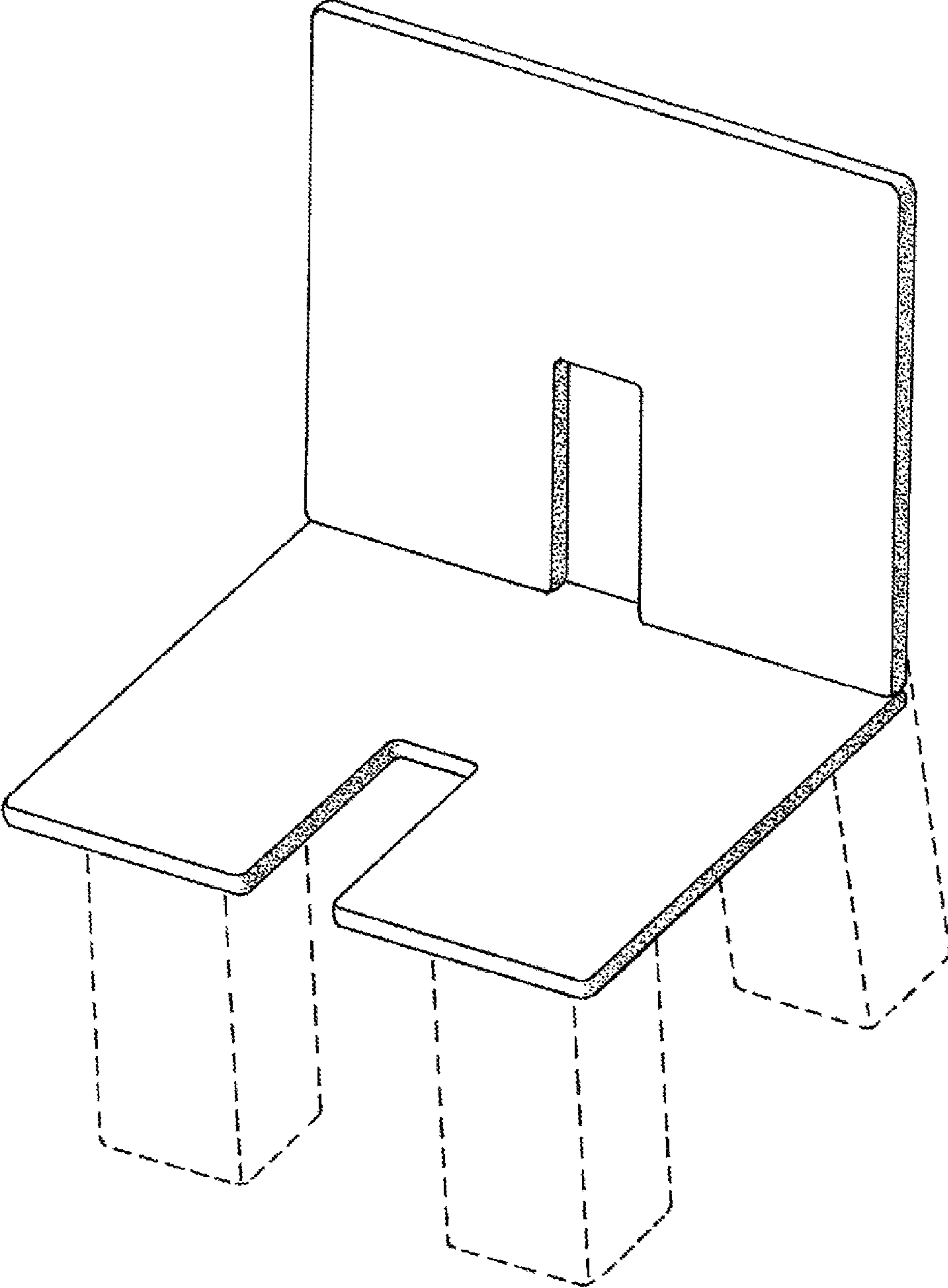


FIG. 1

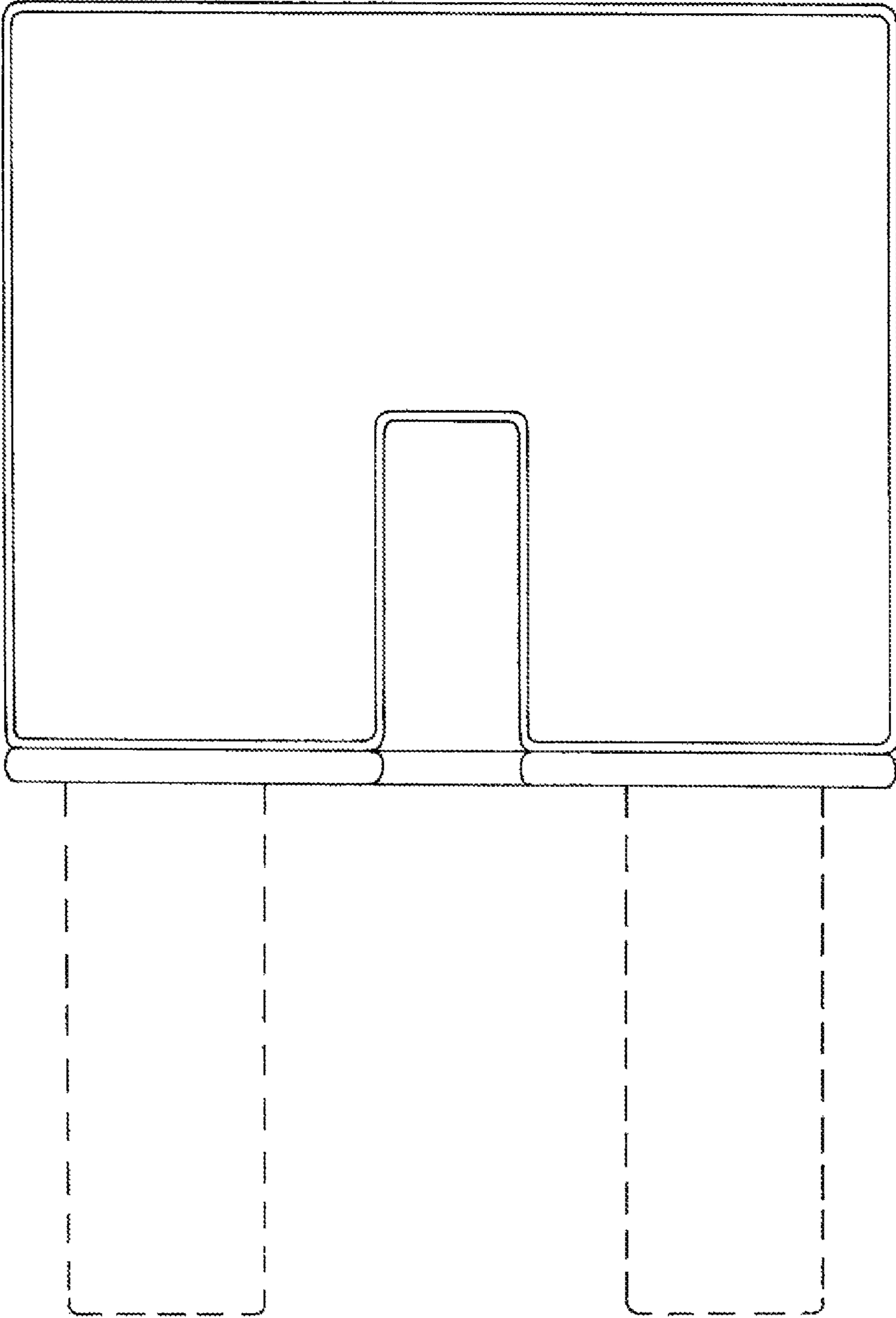


FIG. 2

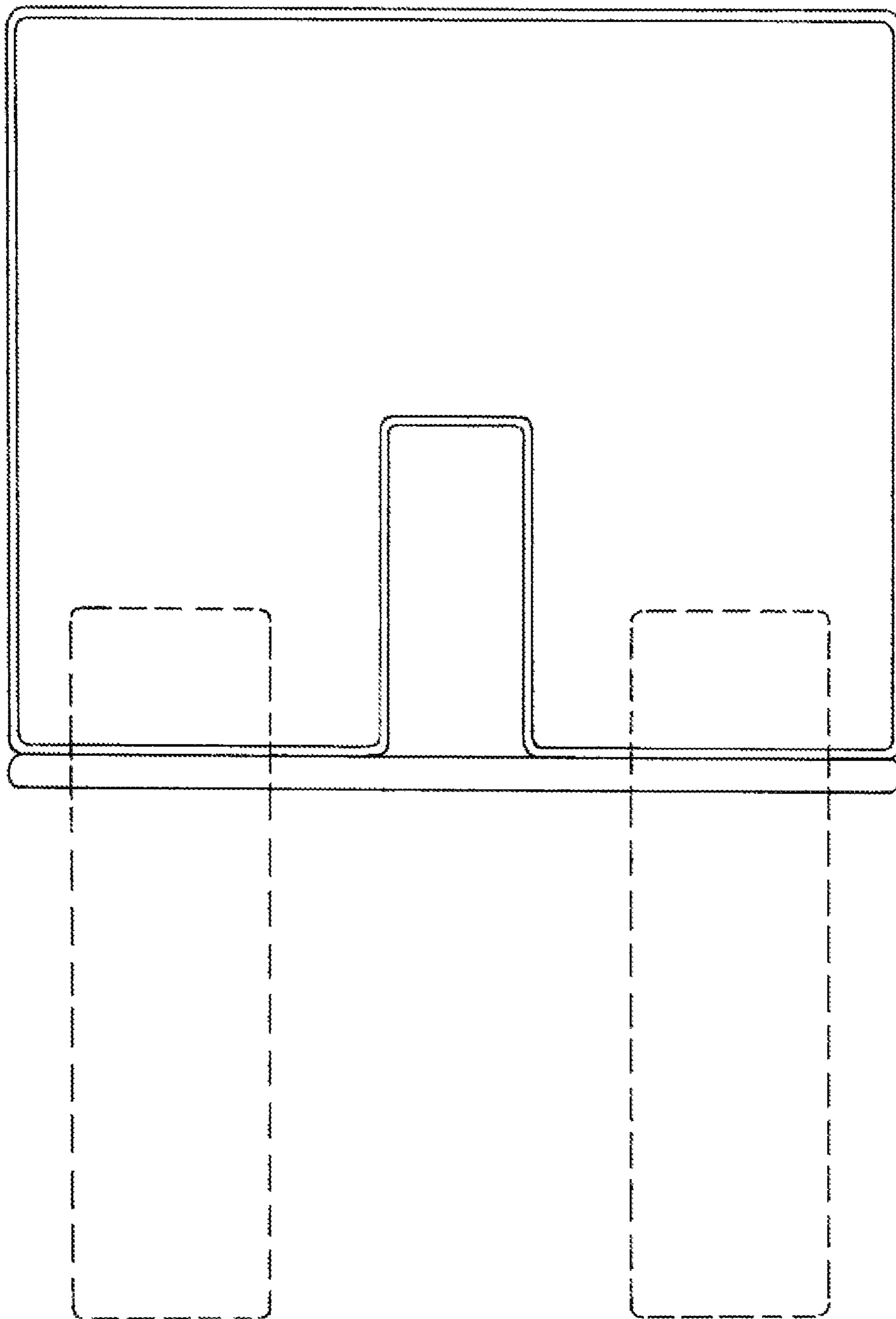


FIG. 3

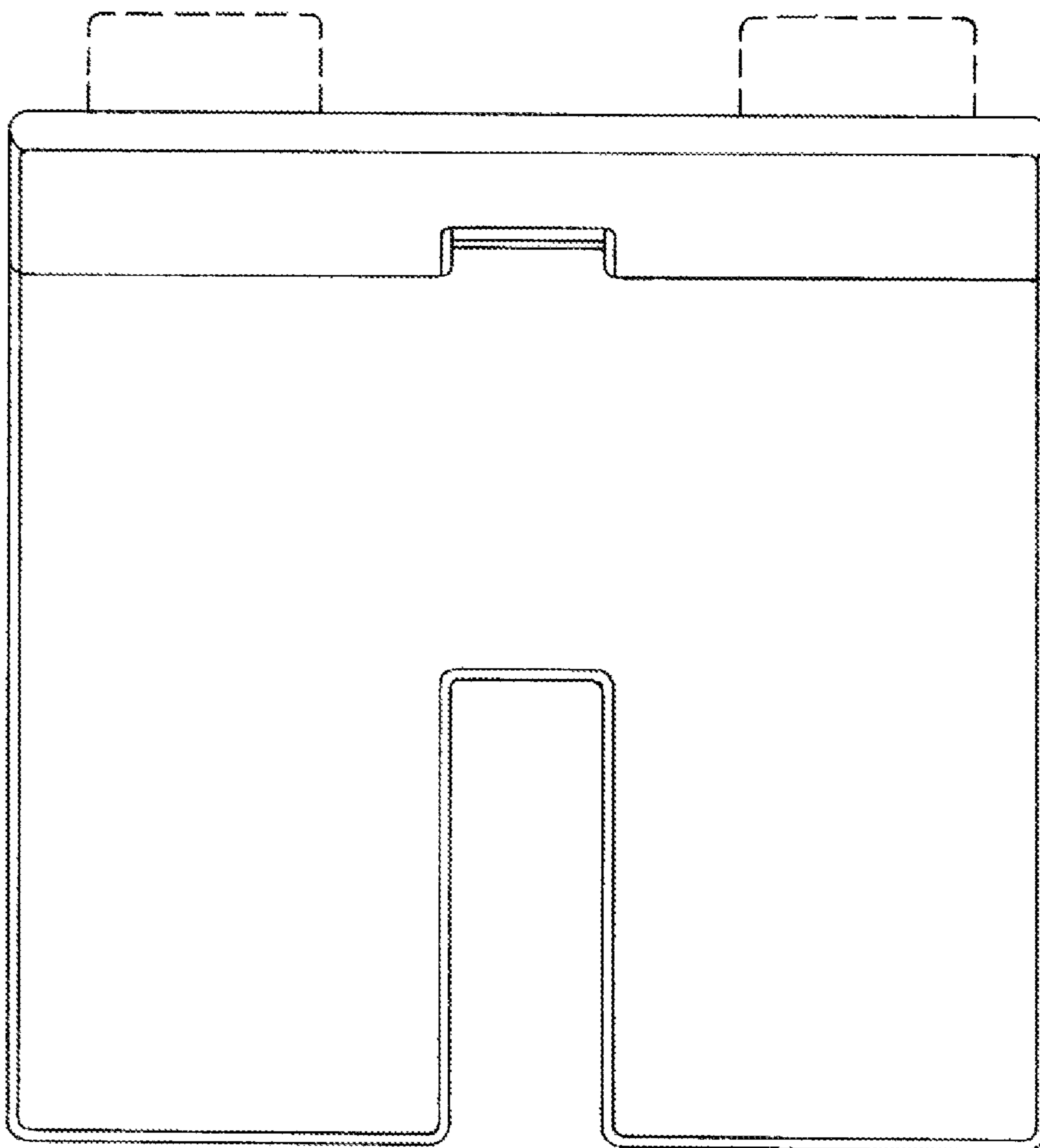


FIG. 4

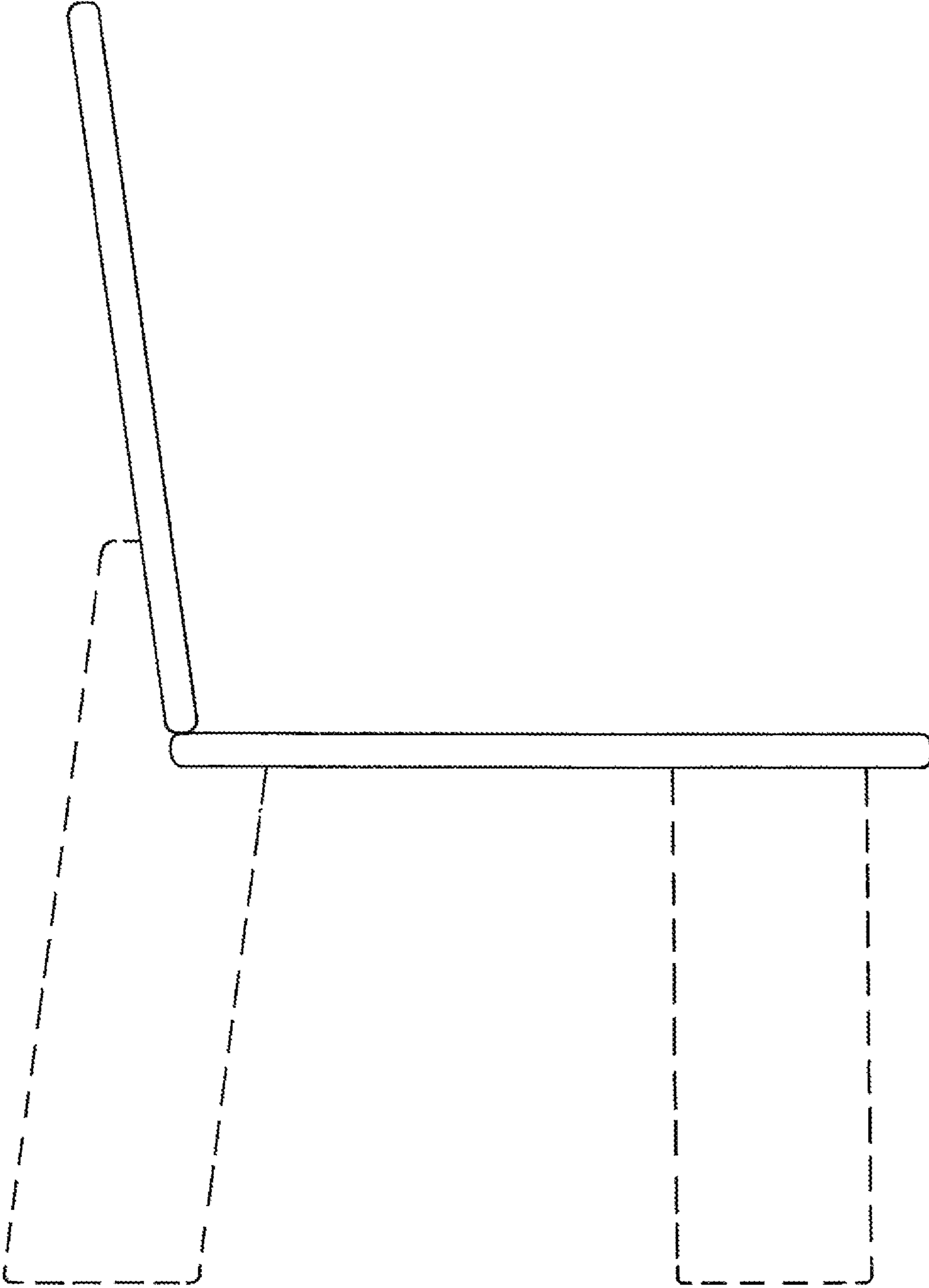


FIG. 5

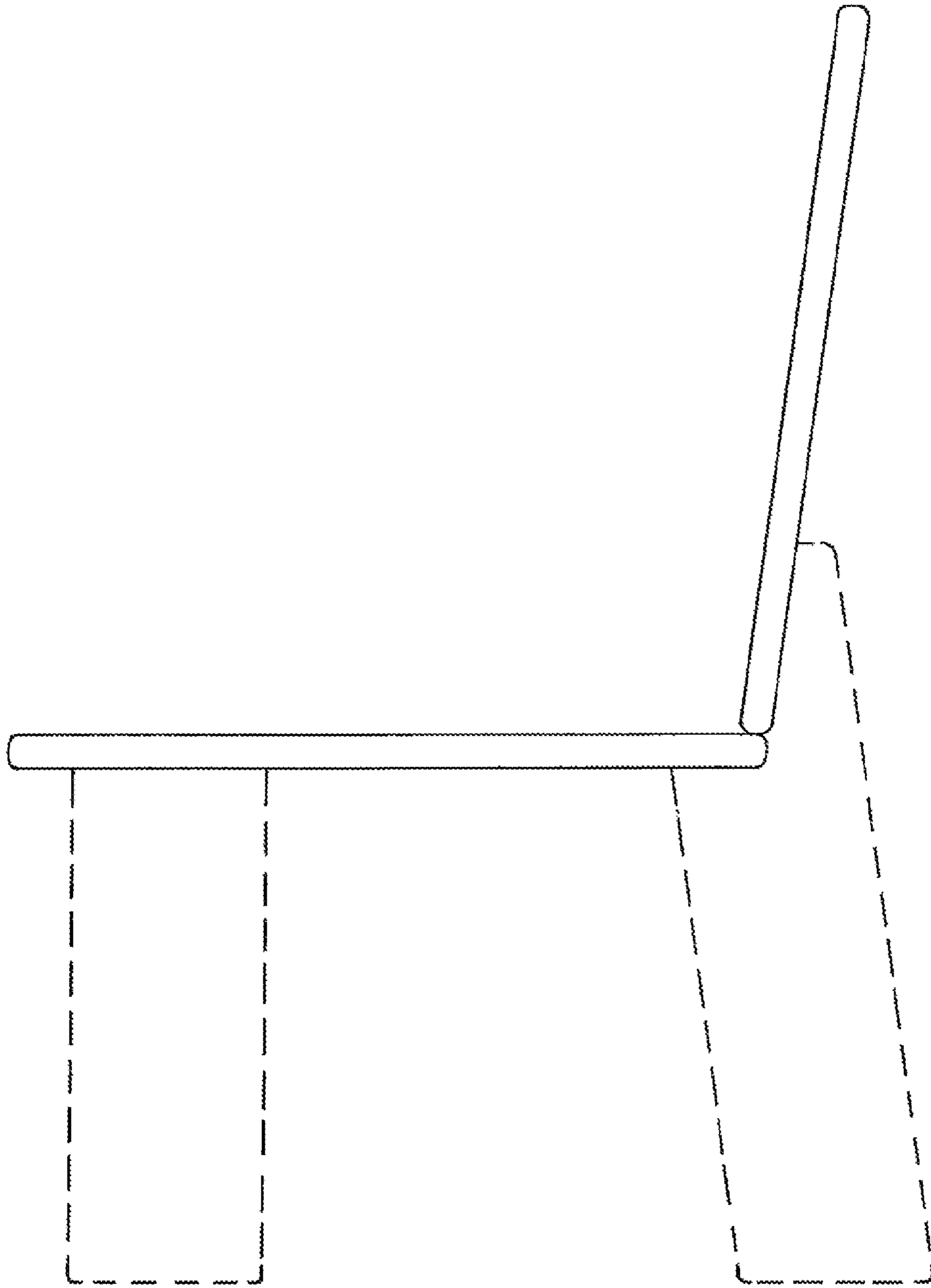


FIG. 6