

US00D69992S

(12) **United States Design Patent**
Koh

(10) **Patent No.:** **US D699,992 S**

(45) **Date of Patent:** **** Feb. 25, 2014**

(54) **SHAFT ASSEMBLY FOR SCREENS**

6,116,326 A * 9/2000 Domina et al. 160/351
6,712,118 B2 * 3/2004 Nussdorf 160/351
D549,493 S * 8/2007 Petrick et al. D6/495

(75) Inventor: **Tuang Hock Koh**, Taichung (TW)

* cited by examiner

(73) Assignee: **Harvest-Excel International Pte. Ltd.**,
Taichung (TW)

Primary Examiner — Doris Clark

(**) Term: **14 Years**

(57) **CLAIM**

The ornamental design for a shaft assembly for screens, as shown and described.

(21) Appl. No.: **29/426,931**

DESCRIPTION

(22) Filed: **Jul. 11, 2012**

(51) **LOC (10) Cl.** **06-06**

(52) **U.S. Cl.**

USPC **D6/712**

(58) **Field of Classification Search**

USPC 52/238.1, 239, 423, 434; 160/351, 377,
160/135; D6/712, 332, 681

See application file for complete search history.

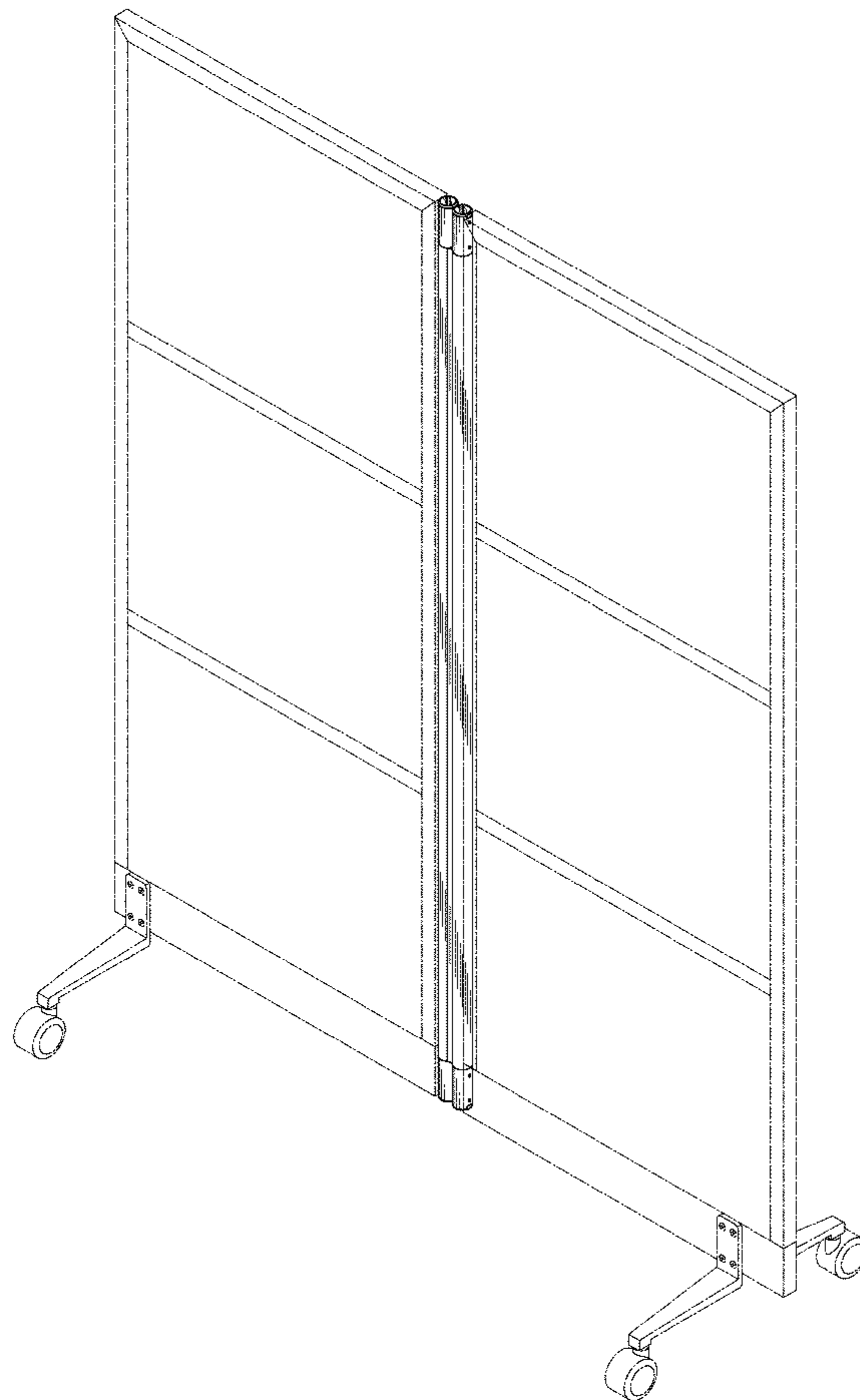
FIG. 1 is a perspective view of a shaft assembly for screens showing my new design;
FIG. 2 is a front elevational view thereof;
FIG. 3 is a rear elevational view thereof;
FIG. 4 is a left side view thereof;
FIG. 5 is a right side view thereof;
FIG. 6 is a top plan view thereof;
FIG. 7 is a bottom plan view thereof; and,
FIG. 8 is an assembled view for showing the shaft assembly for screens which is assembled between two screens, wherein the broken line portion is for illustrative purpose only and forms no part of the claimed design.

(56) **References Cited**

U.S. PATENT DOCUMENTS

4,953,338 A * 9/1990 Wilson et al. 52/586.2
D383,926 S * 9/1997 Spector D6/495

1 Claim, 7 Drawing Sheets



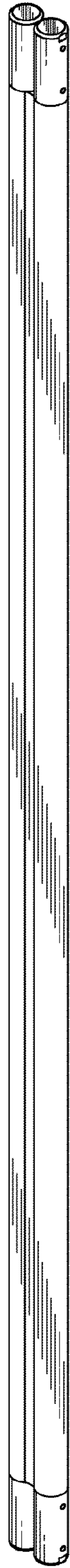


FIG. 1

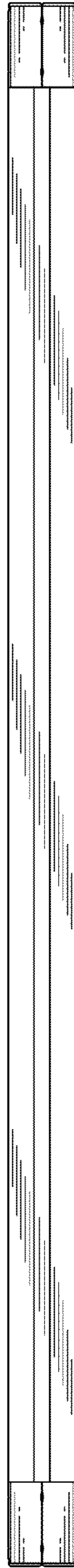


FIG. 2

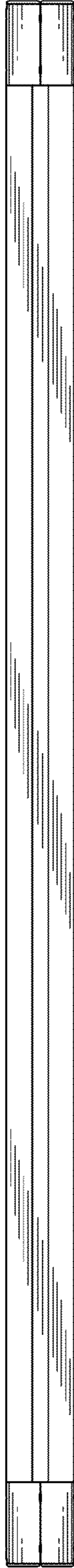


FIG. 3

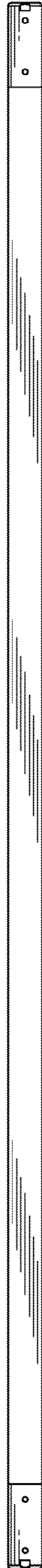


FIG. 4

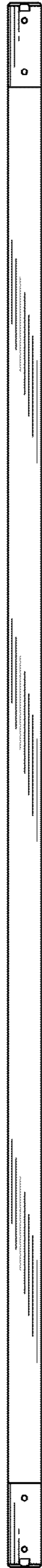


FIG. 5



FIG. 6



FIG. 7

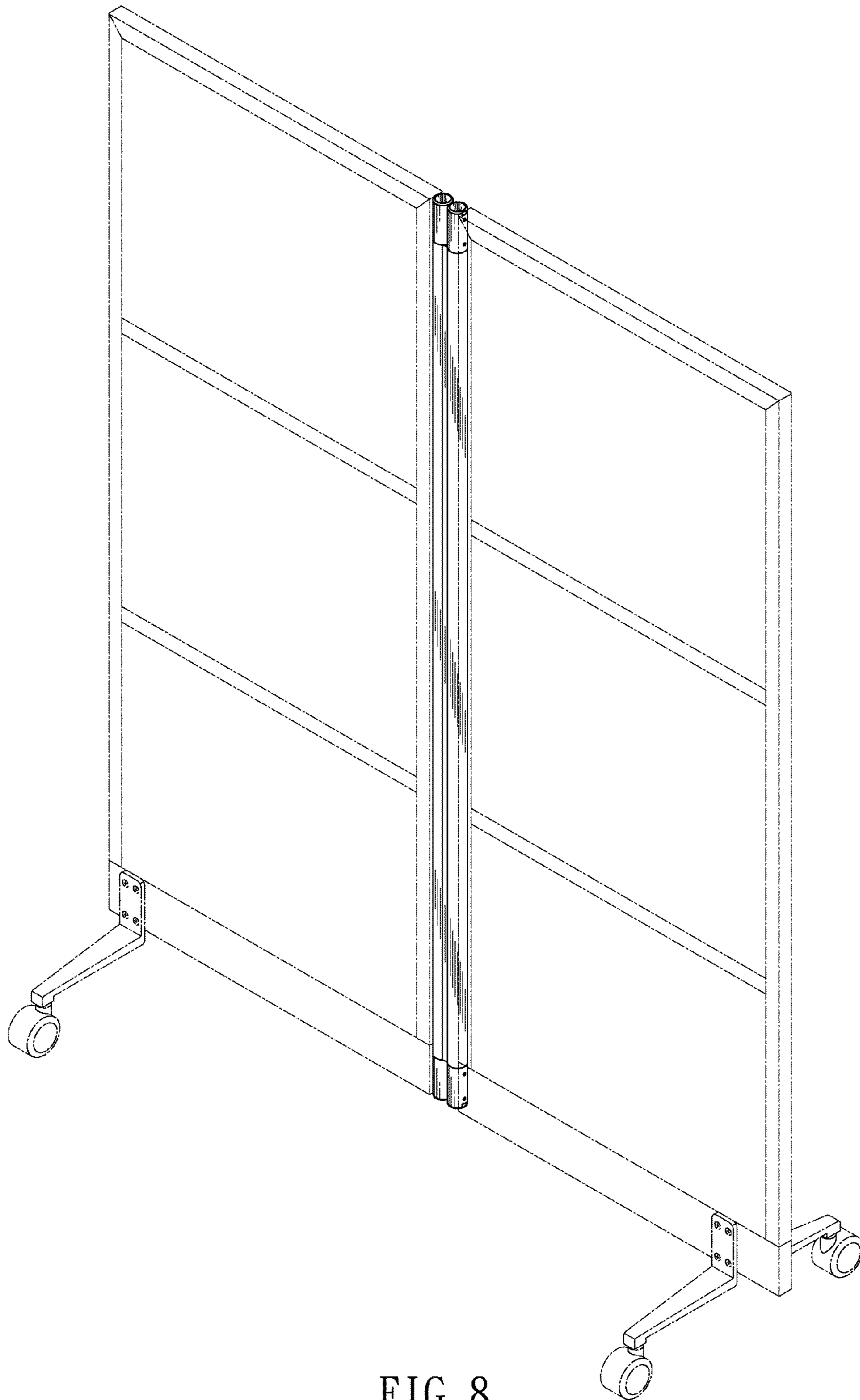


FIG. 8