



US00D699990S

(12) **United States Design Patent**  
**Martell et al.**

(10) **Patent No.:** **US D699,990 S**  
(45) **Date of Patent:** **\*\* Feb. 25, 2014**

- (54) **DISPLAY FIXTURE**
- (71) Applicant: **Target Brands, Inc.**, Minneapolis, MN (US)
- (72) Inventors: **Timothy J. Martell**, Brooklyn Park, MN (US); **Jason W. Johnson**, Wayzata, MN (US)
- (73) Assignee: **Target Brands, Inc.**, Minneapolis, MN (US)
- (\*\*) Term: **14 Years**
- (21) Appl. No.: **29/453,209**
- (22) Filed: **Apr. 26, 2013**
- (51) **LOC (10) Cl.** ..... **06-06**
- (52) **U.S. Cl.**  
USPC ..... **D6/706**
- (58) **Field of Classification Search**  
USPC ..... D6/466, 454–465, 491–492, 511, 553, D6/566–567, 572, 574, 706; 211/1, 10, 211/13.1, 27, 44, 50–53, 59.2, 59.3, 86.01, 211/119.003, 181.1, 183–184; 312/348.3  
See application file for complete search history.

5,673,801 A	10/1997	Markson	
5,836,459 A	11/1998	Nezwek et al.	
6,044,989 A	4/2000	Sosso	
6,161,708 A	12/2000	Myler	
6,290,077 B2	9/2001	Sosso	
6,334,540 B1	1/2002	Plutsky	
6,457,591 B1	10/2002	Lee	
6,719,151 B2	4/2004	Close	
6,726,035 B2	4/2004	Zadak	
6,877,616 B2 *	4/2005	Plutsky	211/43
7,048,131 B2	5/2006	Gay et al.	
7,128,223 B1	10/2006	Sarnoff et al.	
7,147,114 B2	12/2006	Sarnoff et al.	
D551,007 S *	9/2007	Trinko	D6/566
D580,498 S *	11/2008	Healy et al.	D20/43
D585,094 S *	1/2009	Smith	D19/90
D588,649 S *	3/2009	Healy et al.	D20/43
7,971,737 B2	7/2011	Newbould et al.	
7,992,726 B2	8/2011	Goehring	
D669,291 S *	10/2012	Johnson et al.	D6/566
D671,393 S *	11/2012	Shea	D8/363
D680,361 S *	4/2013	Zobel et al.	D6/705

\* cited by examiner

*Primary Examiner* — Kelley Donnelly

(74) *Attorney, Agent, or Firm* — Leanne Taveggia Farrell; Westman, Champlin & Koehler, P.A.

(57) **CLAIM**

The ornamental design for a display fixture, as shown and described.

(56) **References Cited**

U.S. PATENT DOCUMENTS

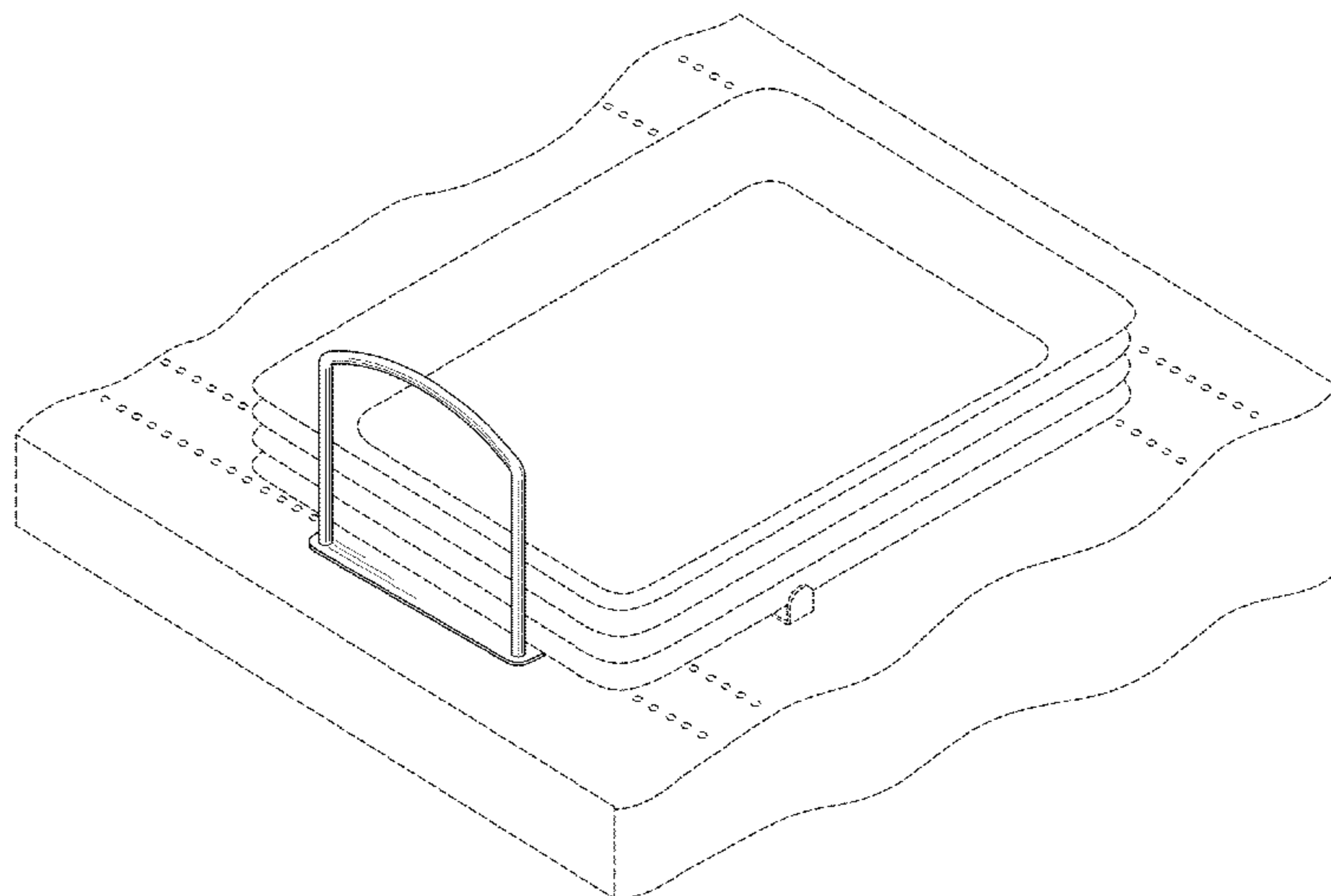
2,527,277 A	10/1950	Schade	
3,175,694 A	3/1965	Reibold et al.	
D216,515 S *	1/1970	Sankey	D19/34.1
D242,407 S *	11/1976	Enckler	D8/373
D242,409 S *	11/1976	Enckler	D8/373
4,410,093 A *	10/1983	Chiariello et al.	211/11
4,593,822 A *	6/1986	Yeane et al.	211/41.8
4,813,535 A	3/1989	Radocha et al.	
4,863,131 A *	9/1989	Kinseley	248/220.41
4,905,847 A	3/1990	Hanson	
5,411,146 A	5/1995	Jarecki et al.	
D364,074 S *	11/1995	Yeh	D7/637
5,464,105 A	11/1995	Mandeltort	
5,595,310 A	1/1997	Spamer et al.	

**DESCRIPTION**

FIGS. 1 and 2 are perspective views of a display fixture; FIG. 3 is a front view thereof; FIG. 4 is a back view thereof; FIG. 5 is a top view thereof; and, FIG. 6 is a side view thereof, the opposite side being a mirror image.

The broken lines shown in the drawings are included for purposes of illustrating environment and form no part of the claimed design.

**1 Claim, 5 Drawing Sheets**



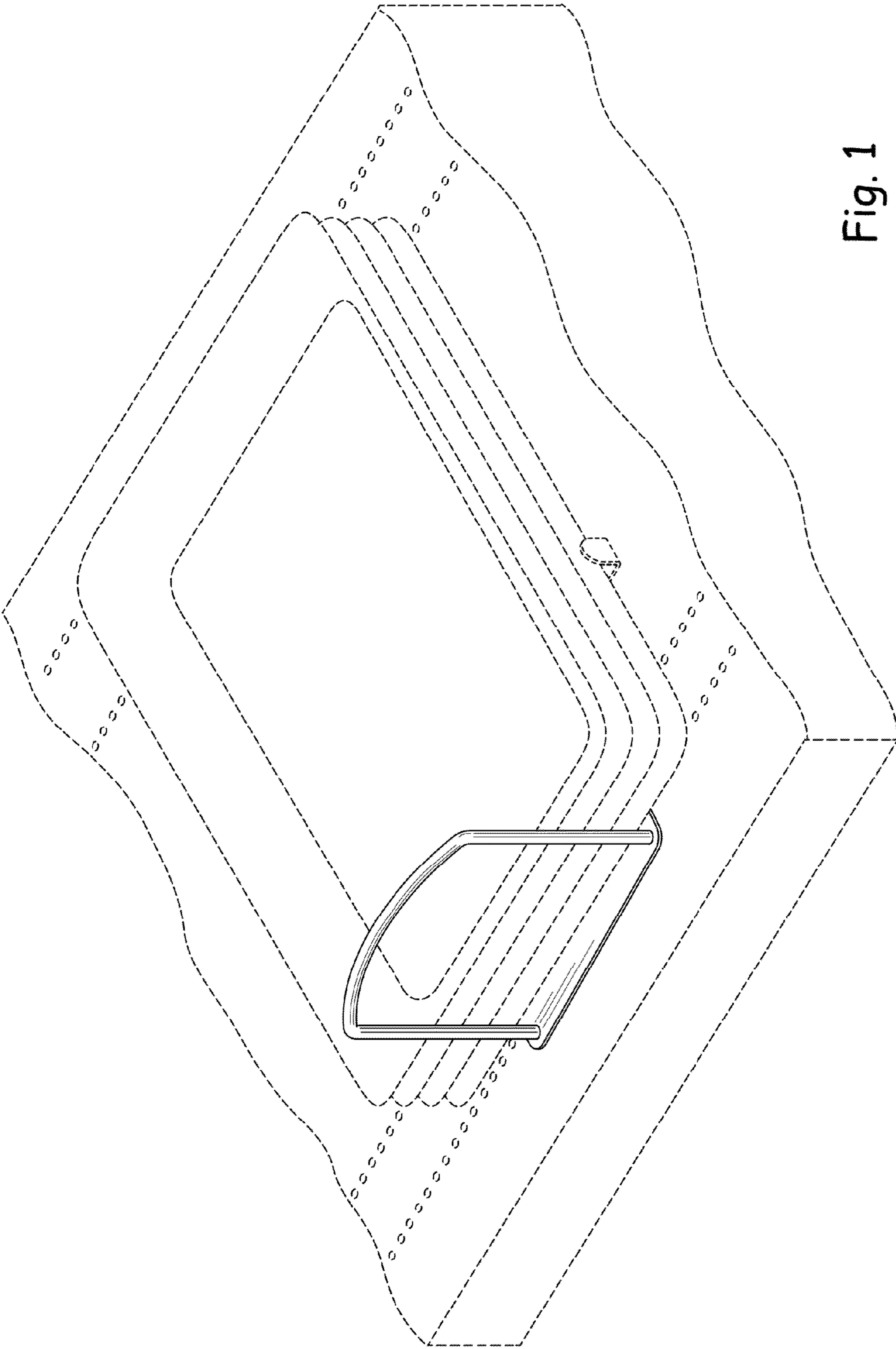


Fig. 1

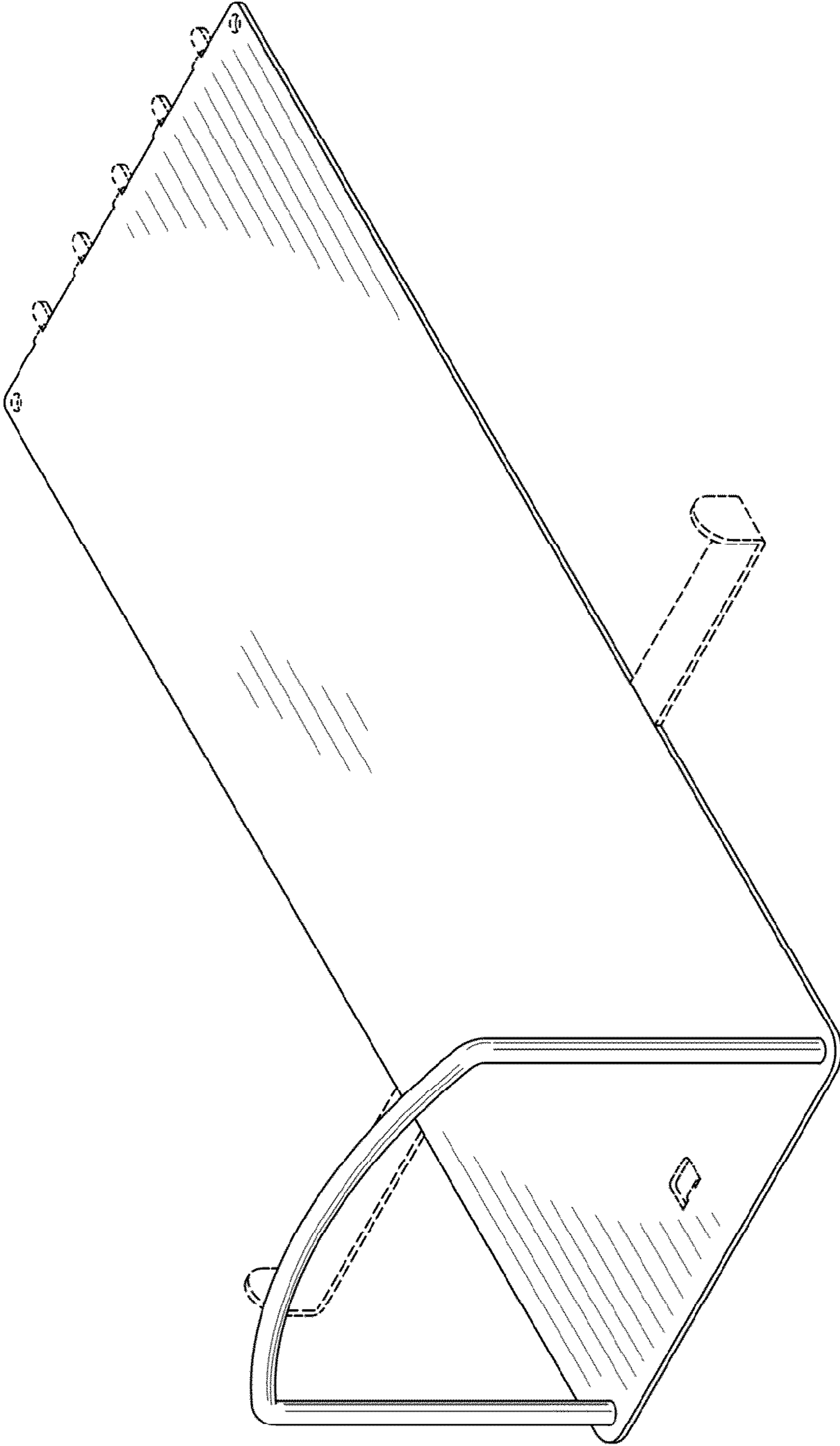


Fig. 2

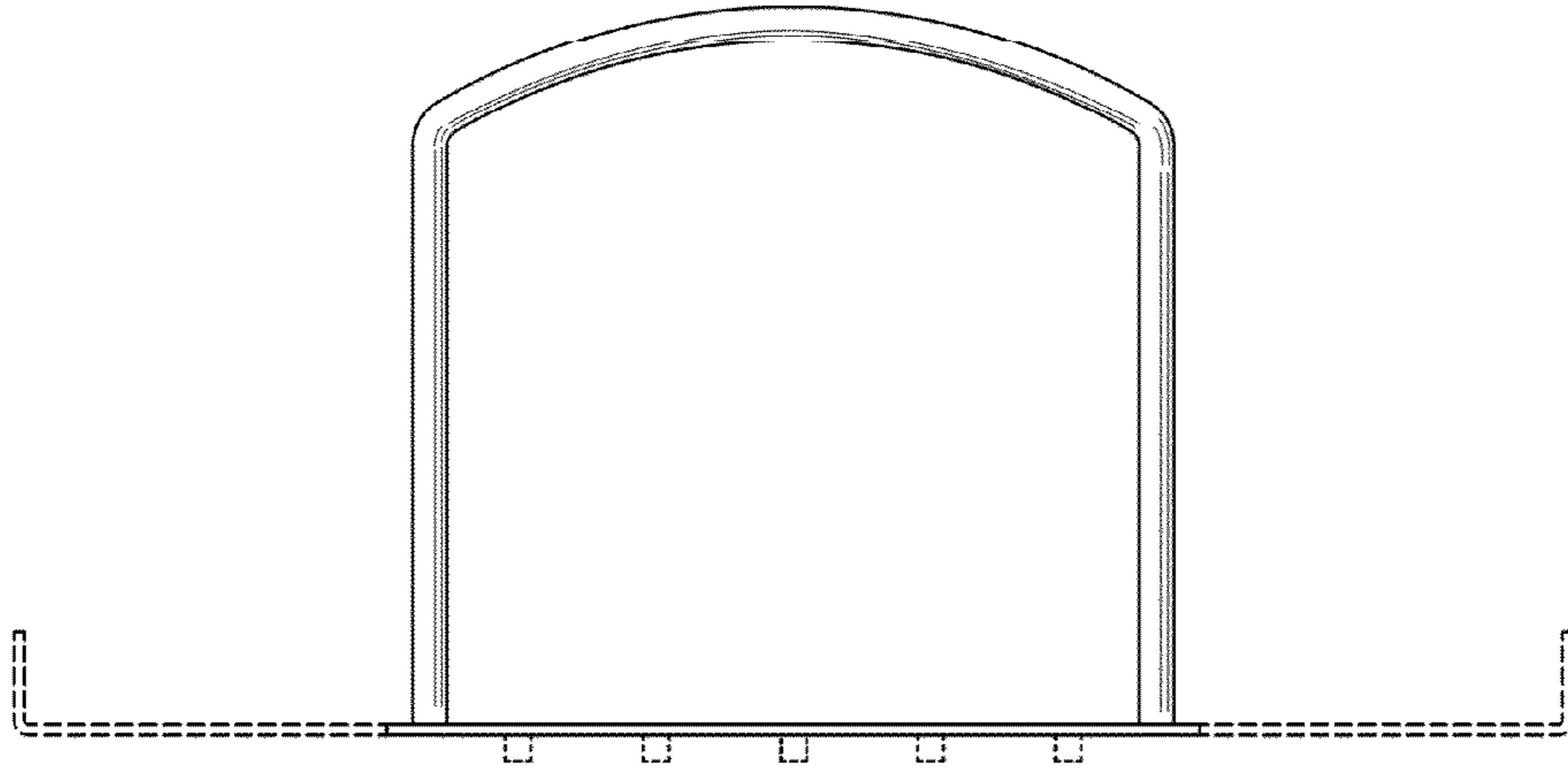


Fig. 3

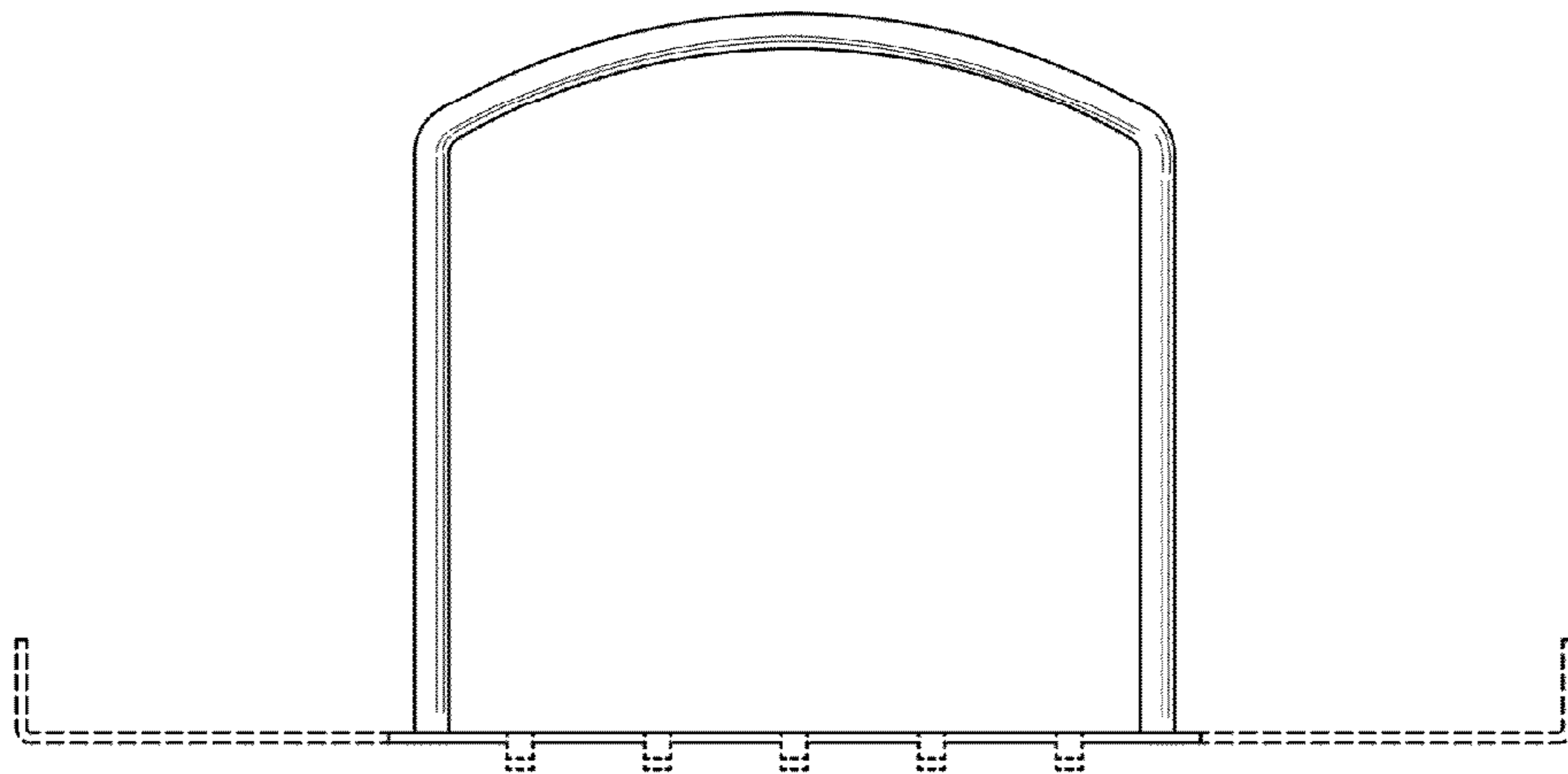


Fig. 4

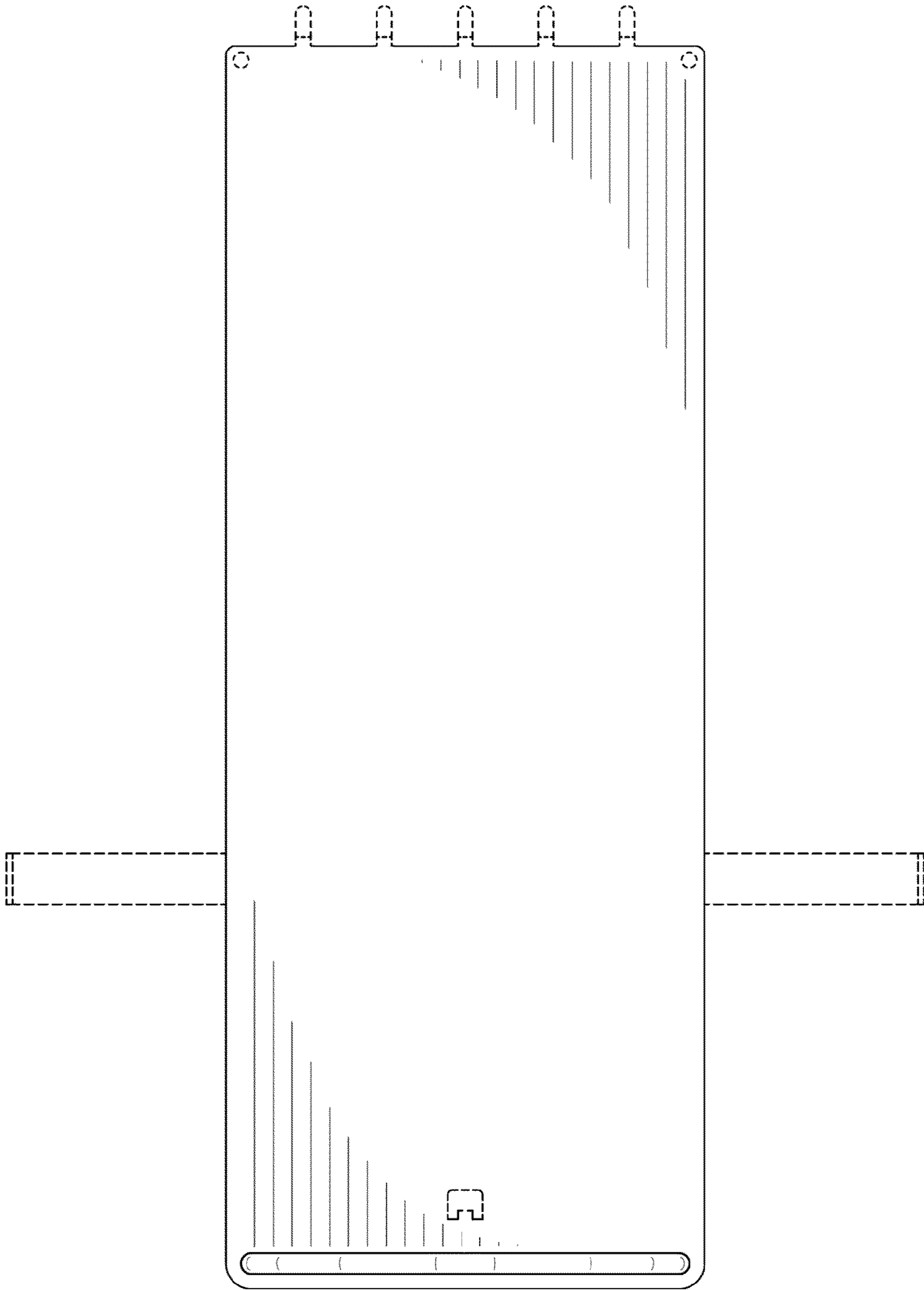


Fig. 5

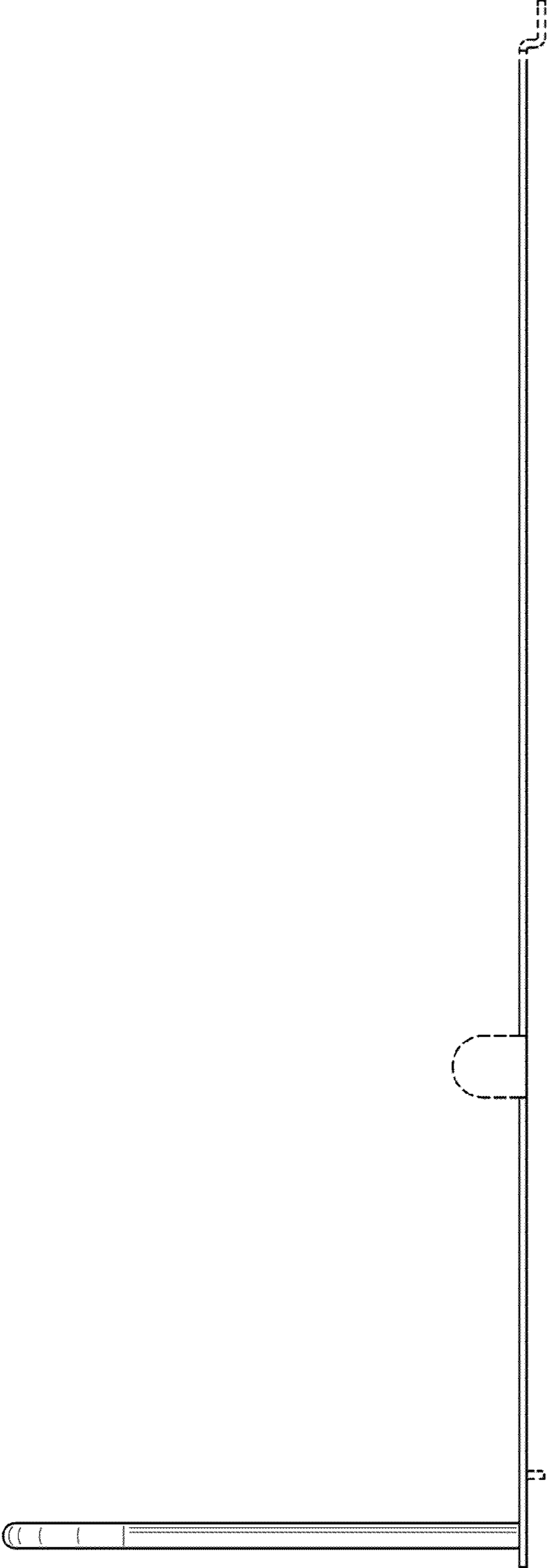


Fig. 6