



US00D699987S

(12) **United States Design Patent**  
**Angvall**

(10) **Patent No.:** **US D699,987 S**

(45) **Date of Patent:** **\*\* Feb. 25, 2014**

(54) **DISPLAY STRUCTURE**

(75) Inventor: **Nicholas P. Angvall**, Minneapolis, MN  
(US)

(73) Assignee: **Target Brands, Inc.**, Minneapolis, MN  
(US)

(\*\*) Term: **14 Years**

(21) Appl. No.: **29/415,549**

(22) Filed: **Mar. 12, 2012**

(51) **LOC (10) Cl.** ..... **06-06**

(52) **U.S. Cl.**

USPC ..... **D6/675.5**

(58) **Field of Classification Search**

USPC ..... D3/304–306, 314–315, 318; D6/449,  
D6/462, 510–511, 566–567, 537–540,  
D6/572–574, 672, 675, 675.5; 206/509,  
206/512–513, 557, 821, 13.1, 41.3, 41.4,  
206/86.01, 88.01; 220/485, 491–494

See application file for complete search history.

(56) **References Cited**

**U.S. PATENT DOCUMENTS**

2,006,169	A	6/1935	Harris-Jones	
2,814,185	A	11/1957	Burg	
3,239,850	A	3/1966	Kiss	
3,548,610	A	12/1970	Kendall et al.	
4,085,986	A	4/1978	Taub	
D280,788	S	10/1985	Levin	
5,279,441	A *	1/1994	Featherall	220/485
D348,760	S *	7/1994	Linder	D3/306
5,531,410	A *	7/1996	Simon	248/49
D399,381	S *	10/1998	Hoernig	D6/566
5,927,658	A *	7/1999	Gerster	248/49
D417,809	S	12/1999	Hofman	
D433,709	S *	11/2000	Hardy	D19/75
D441,996	S	5/2001	Wright	

6,239,364	B1 *	5/2001	Nickel	174/480
6,341,704	B1	1/2002	Michel, Jr.	
6,351,964	B1	3/2002	Brancheau et al.	
D476,812	S *	7/2003	Yamaguchi	D6/510
6,590,154	B1 *	7/2003	Badey et al.	174/480
D479,272	S *	9/2003	Hardy et al.	D19/92

(Continued)

**OTHER PUBLICATIONS**

LivingDirect, “Haier 5.0 Cu. Ft. Chest Freezer with Removable Basket,” p. 1, [http://www.livingdirect.com/Haier-5.0-Cu-Ft-Chest-Freezer-HCM050EC/HCM050EC,default,pd.html?mtcpromotion=Amazon%3eHome\\_Appliances%3eFreezers%3eHCM050EC](http://www.livingdirect.com/Haier-5.0-Cu-Ft-Chest-Freezer-HCM050EC/HCM050EC,default,pd.html?mtcpromotion=Amazon%3eHome_Appliances%3eFreezers%3eHCM050EC) (last visited Mar. 12, 2012).

(Continued)

*Primary Examiner* — Kelley Donnelly

(74) *Attorney, Agent, or Firm* — Leanne Taveggia Farrell; Westman, Champlin & Koehler, P.A.

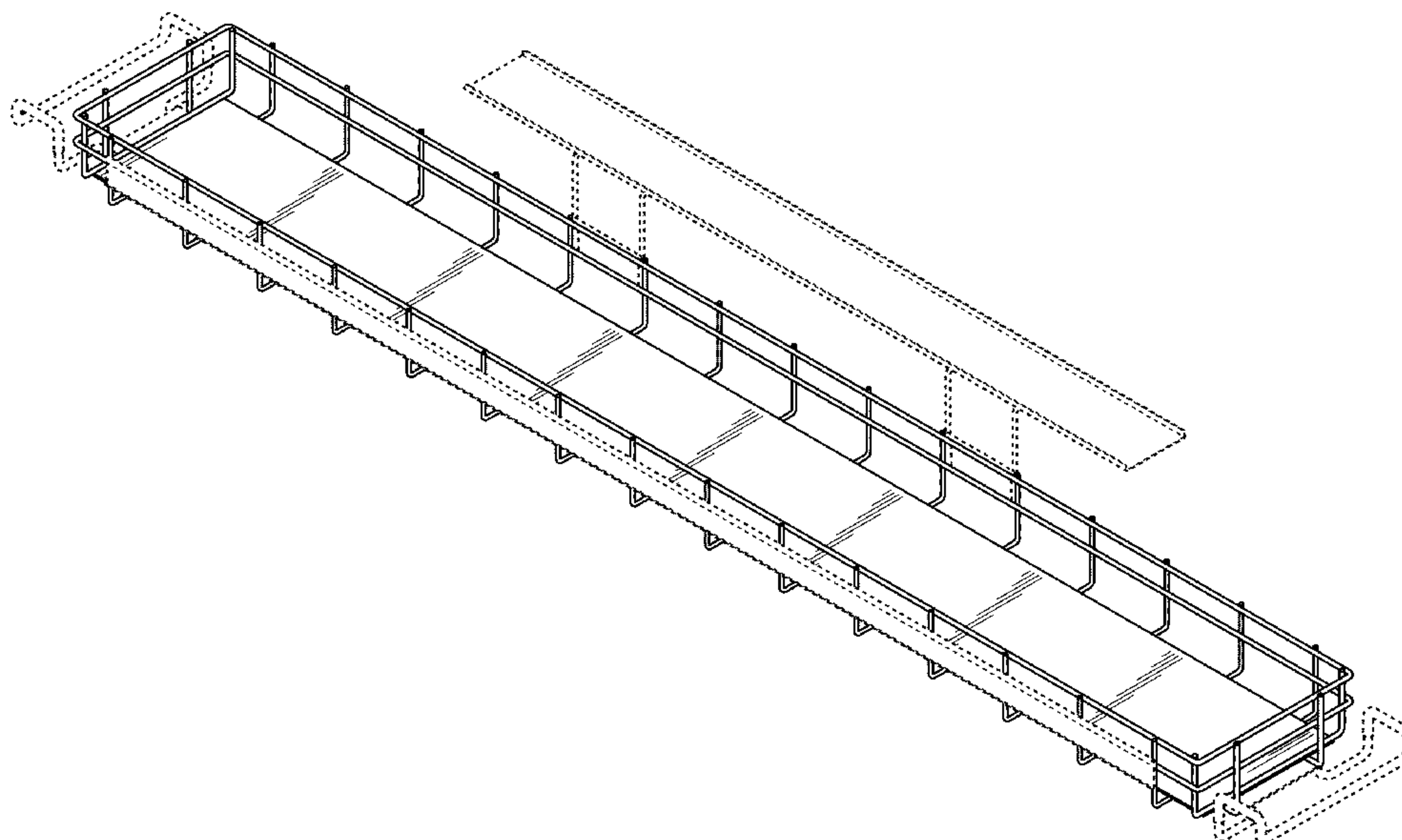
(57) **CLAIM**

The ornamental design for a display structure, as shown and described.

**DESCRIPTION**

FIG. 1 is perspective view of a display structure; FIG. 2 is a perspective view of the display structure of FIG. 1 with broken line subject matter removed; FIG. 3 is a front view of the display structure of FIG. 1; FIG. 4 is a back view of the display structure of FIG. 1; FIG. 5 is a side view of the display structure of FIG. 1, the opposite side being a mirror image; FIG. 6 is a top view of the display structure of FIG. 1; and, FIG. 7 is a bottom view of the display structure of FIG. 1. The broken line subject matter forms no part of the claimed design.

**1 Claim, 4 Drawing Sheets**



(56)

**References Cited**

U.S. PATENT DOCUMENTS

D507,108 S \* 7/2005 Suero, Jr. .... D3/304  
D532,653 S \* 11/2006 Molayem ..... D7/409  
D547,094 S \* 7/2007 Klein et al. .... D6/462  
D588,839 S \* 3/2009 Klein et al. .... D6/462  
D598,688 S 8/2009 Yang et al.  
D616,680 S \* 6/2010 Snider ..... D6/513  
7,798,341 B2 9/2010 Richardson et al.  
D628,388 S \* 12/2010 Klein et al. .... D3/318  
D634,121 S \* 3/2011 Goodman et al. .... D3/306  
D650,175 S \* 12/2011 Lee ..... D3/306  
8,256,637 B2 \* 9/2012 Goodman et al. .... 220/491

8,292,094 B2 \* 10/2012 Morton ..... 211/64  
D675,849 S \* 2/2013 Tawil ..... D6/705  
D688,902 S \* 9/2013 Hertaus ..... D6/663  
D688,903 S \* 9/2013 Goodman et al. .... D6/675.5  
2007/0272634 A1 11/2007 Richter et al.

OTHER PUBLICATIONS

Photographs of a display fixture in public use at least as early as Mar. 1, 2011, 2 pages.  
Office Action from Canadian Patent Application No. 146,348, mailed Dec. 13, 2012 (2 pages).

\* cited by examiner

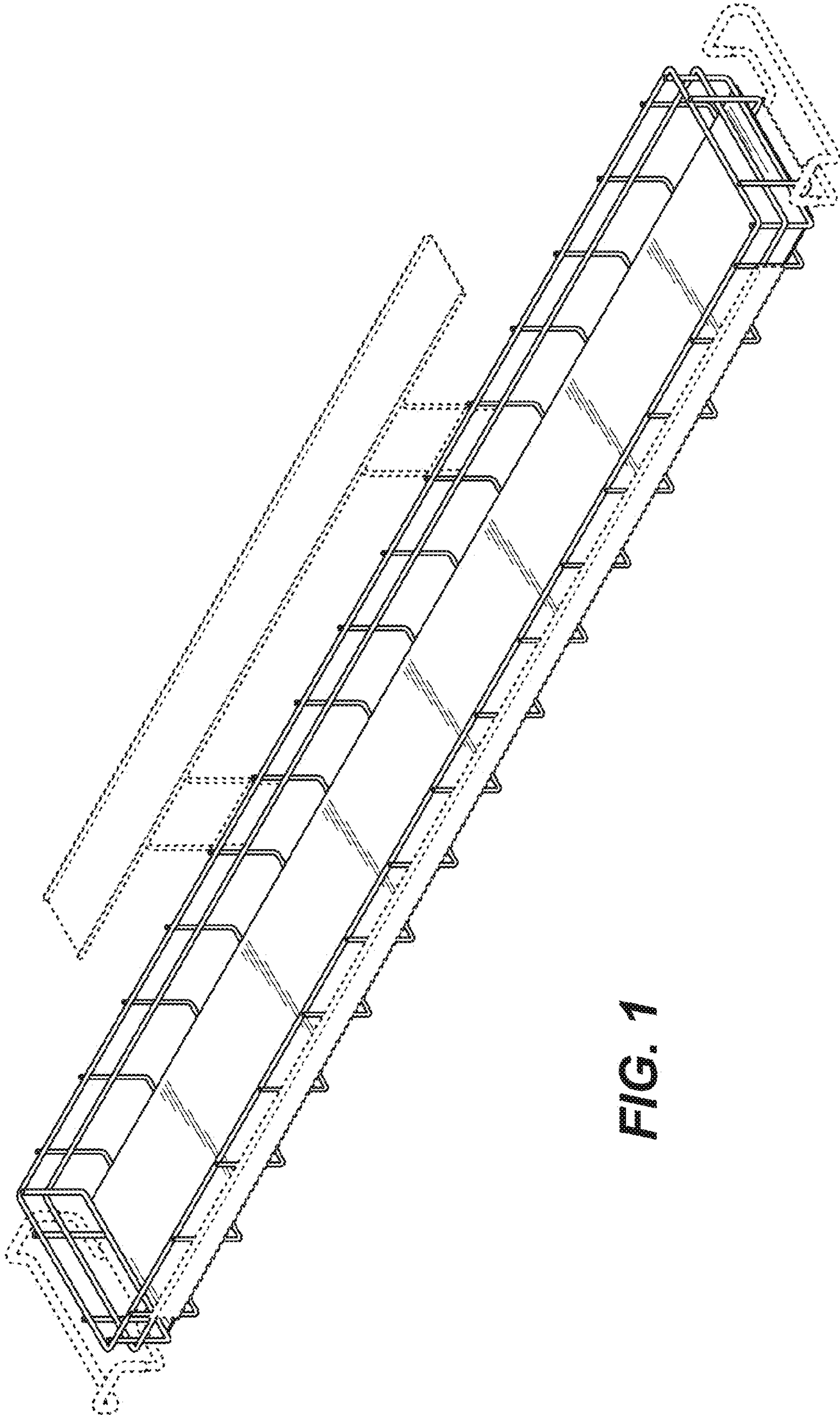


FIG. 1



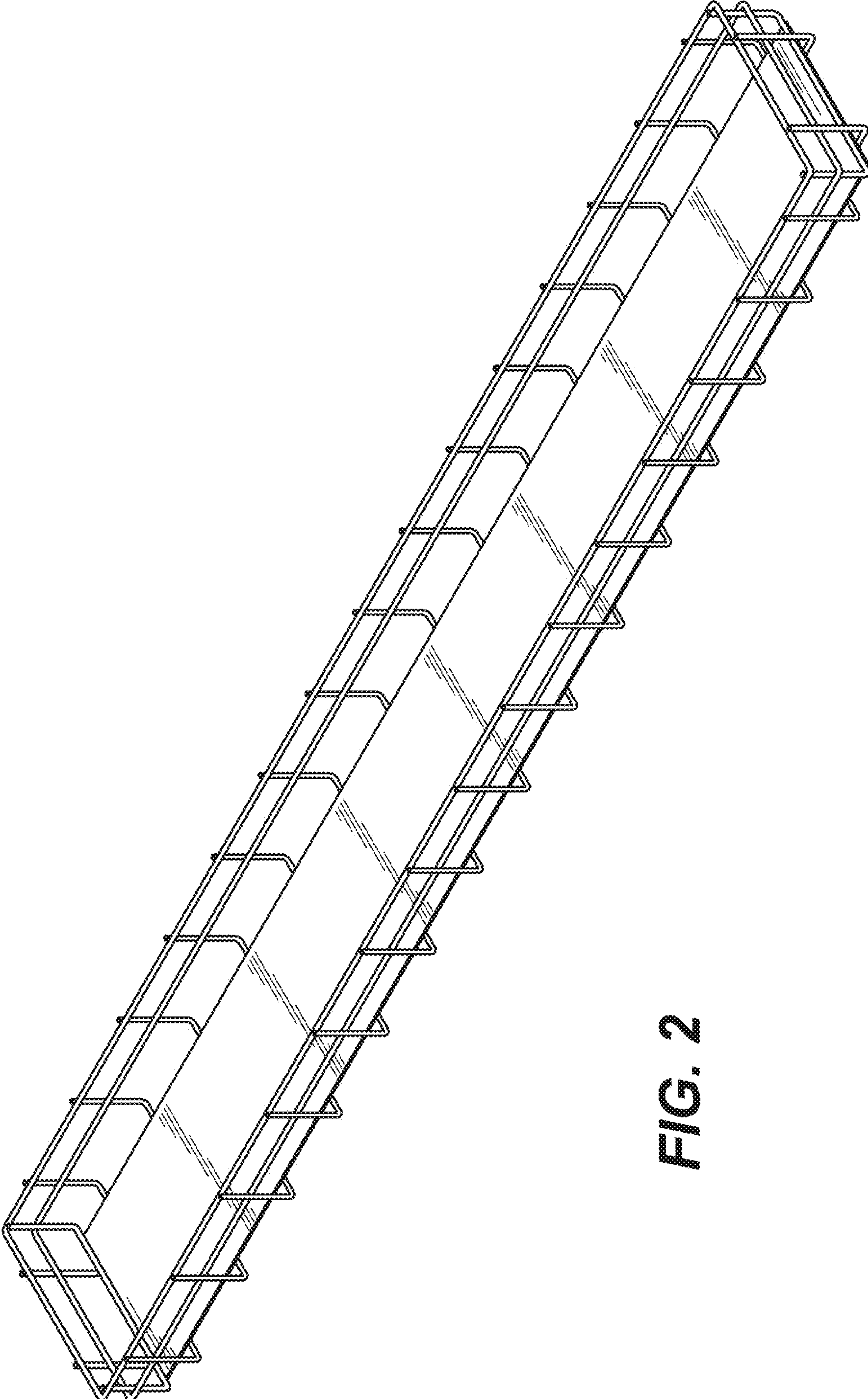
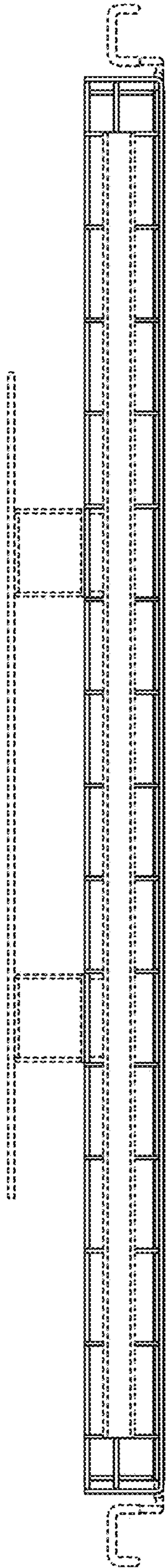
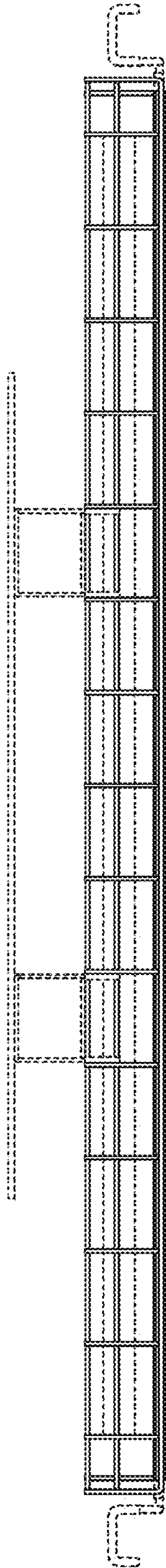


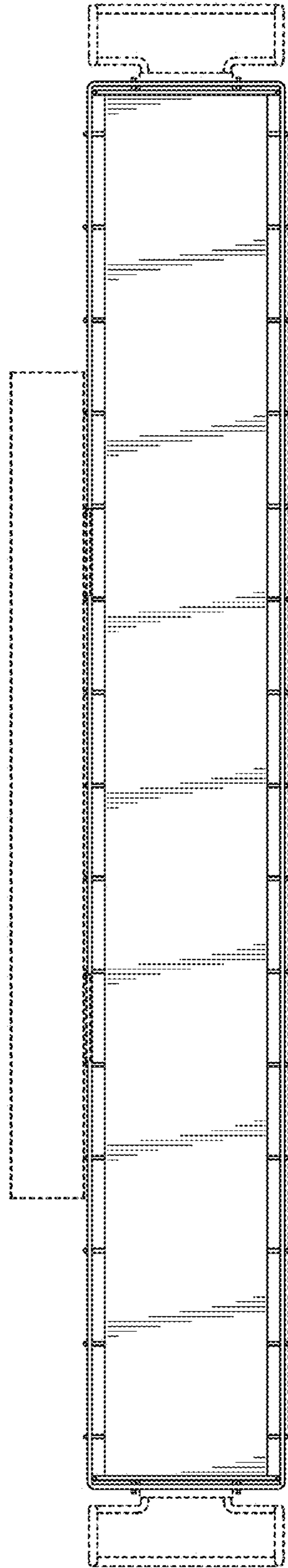
FIG. 2



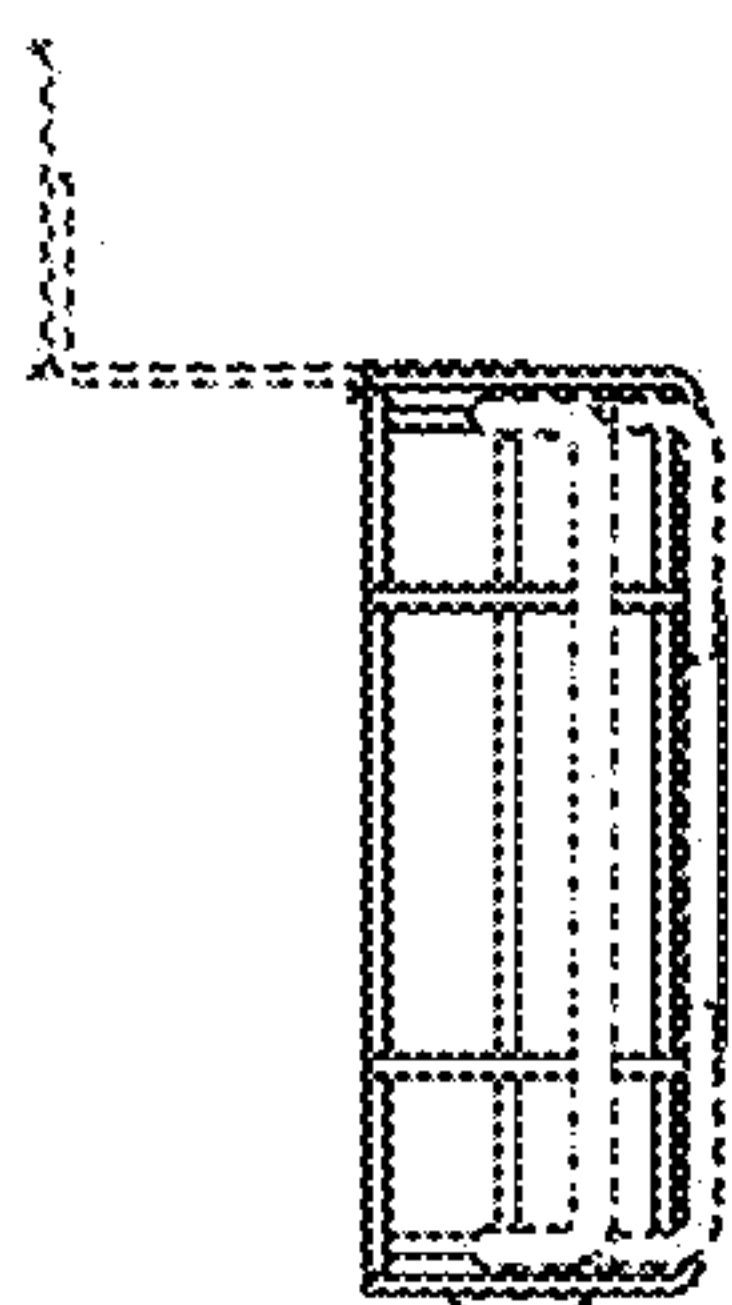
**FIG. 3**



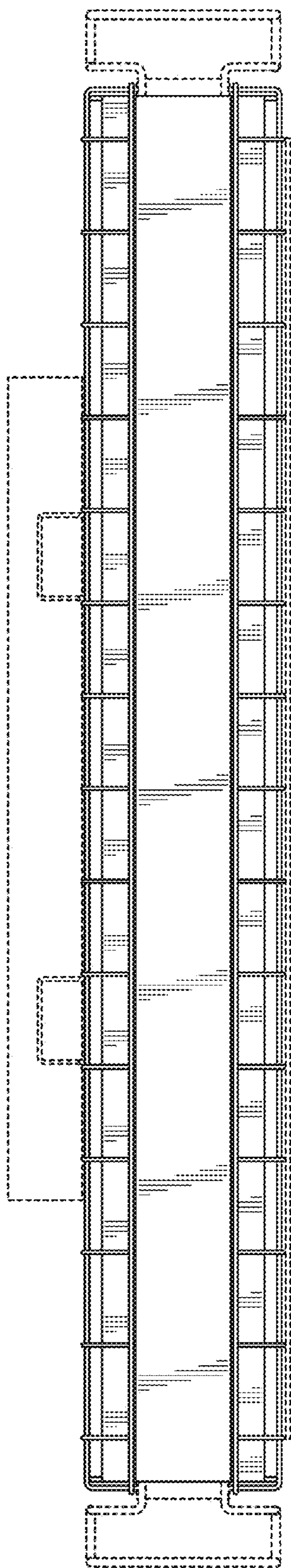
**FIG. 4**



**FIG. 6**



**FIG. 5**



**FIG. 7**