



US00D699976S

(12) **United States Design Patent**
Chou

(10) **Patent No.:** **US D699,976 S**

(45) **Date of Patent:** **** Feb. 25, 2014**

(54) **WINDOW CURTAIN RAIL**

(71) Applicant: **Tser Wen Chou**, Taipei (TW)

(72) Inventor: **Tser Wen Chou**, Taipei (TW)

(**) Term: **14 Years**

(21) Appl. No.: **29/450,934**

(22) Filed: **Mar. 26, 2013**

(51) **LOC (10) Cl.** **06-10**

(52) **U.S. Cl.**
USPC **D6/580**

(58) **Field of Classification Search**
USPC D6/575, 577, 579, 580; D8/349, 368,
D8/369, 376, 382; 160/84.01-84.08, 107,
160/108, 111, 113, 130, 133, 176.1 P, 237,
160/330, DIG. 6, 902; 248/252, 266, 271
See application file for complete search history.

(56) **References Cited**

U.S. PATENT DOCUMENTS

4,919,185	A *	4/1990	Comeau et al.	160/178.1 R
D361,010	S *	8/1995	Hebsgaard	D6/580
D440,100	S *	4/2001	Horsten	D6/580
D443,457	S *	6/2001	Horsten	D6/580
D486,340	S *	2/2004	Sudano	D6/577

D502,037	S *	2/2005	Nien	D6/580
D509,692	S *	9/2005	Dekker et al.	D6/577
D541,094	S *	4/2007	Yu et al.	D6/580
D554,422	S *	11/2007	Lin	D6/580
D567,002	S *	4/2008	Allsopp	D6/580
D595,078	S *	6/2009	Kollman et al.	D6/580
D600,401	S *	9/2009	Varrin	D26/138
D600,484	S *	9/2009	Anderson et al.	D6/580
D604,151	S *	11/2009	Kollman et al.	D8/376
D687,248	S *	8/2013	Huston et al.	D6/580
2003/0070221	A1 *	4/2003	Goldenberg et al.	4/608
2004/0182522	A1 *	9/2004	Strand et al.	160/84.05

* cited by examiner

Primary Examiner — Karen S Acker

(74) *Attorney, Agent, or Firm* — Guice Patents PLLC

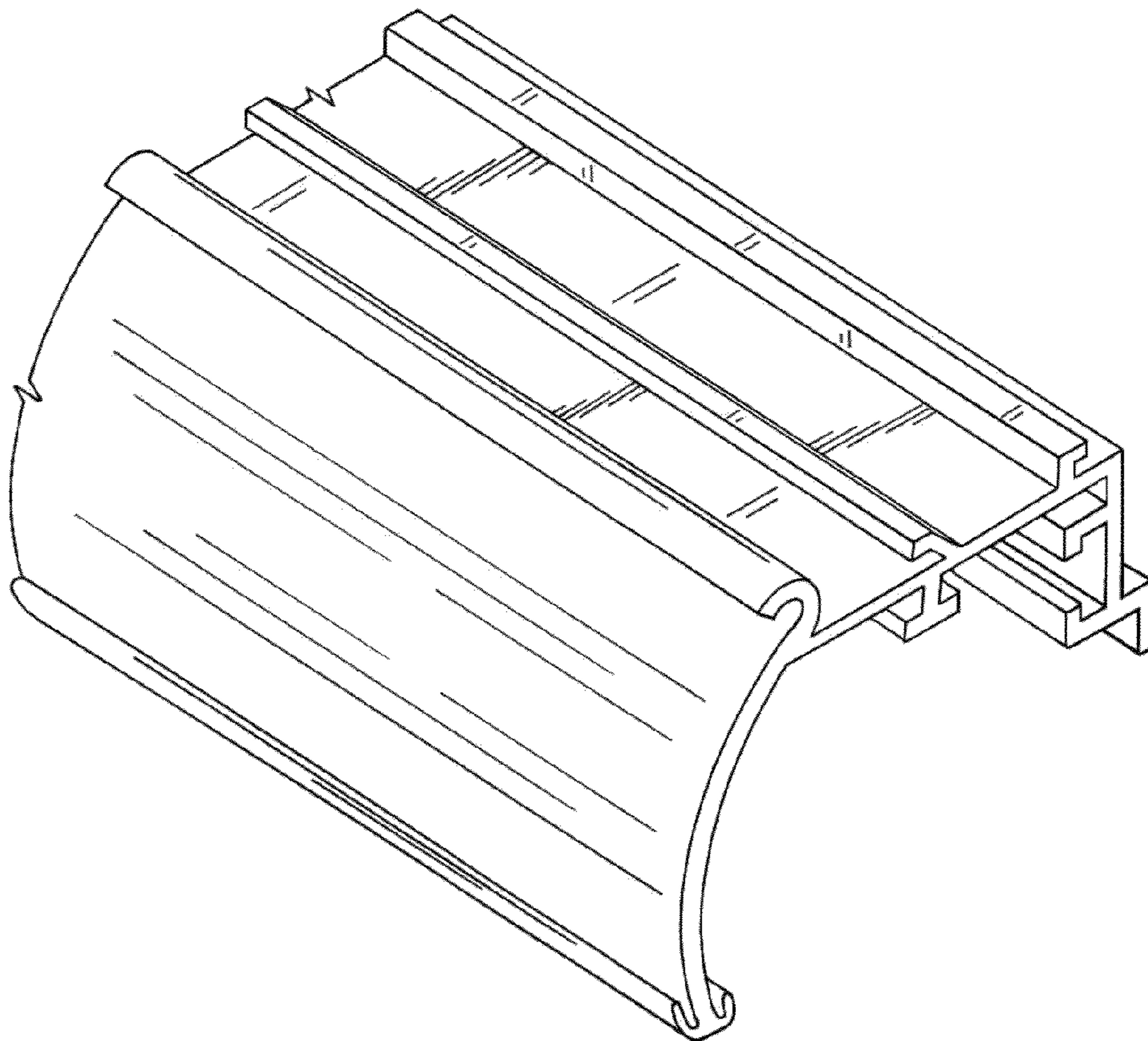
(57) **CLAIM**

The ornamental design for a window curtain rail, as shown and described.

DESCRIPTION

FIG. 1 is a perspective view of a window curtain rail;
FIG. 2 is a front view thereof;
FIG. 3 is a rear view thereof;
FIG. 4 is a left side view thereof;
FIG. 5 is a right side view thereof;
FIG. 6 is a top view thereof; and,
FIG. 7 is a bottom view thereof.

1 Claim, 4 Drawing Sheets



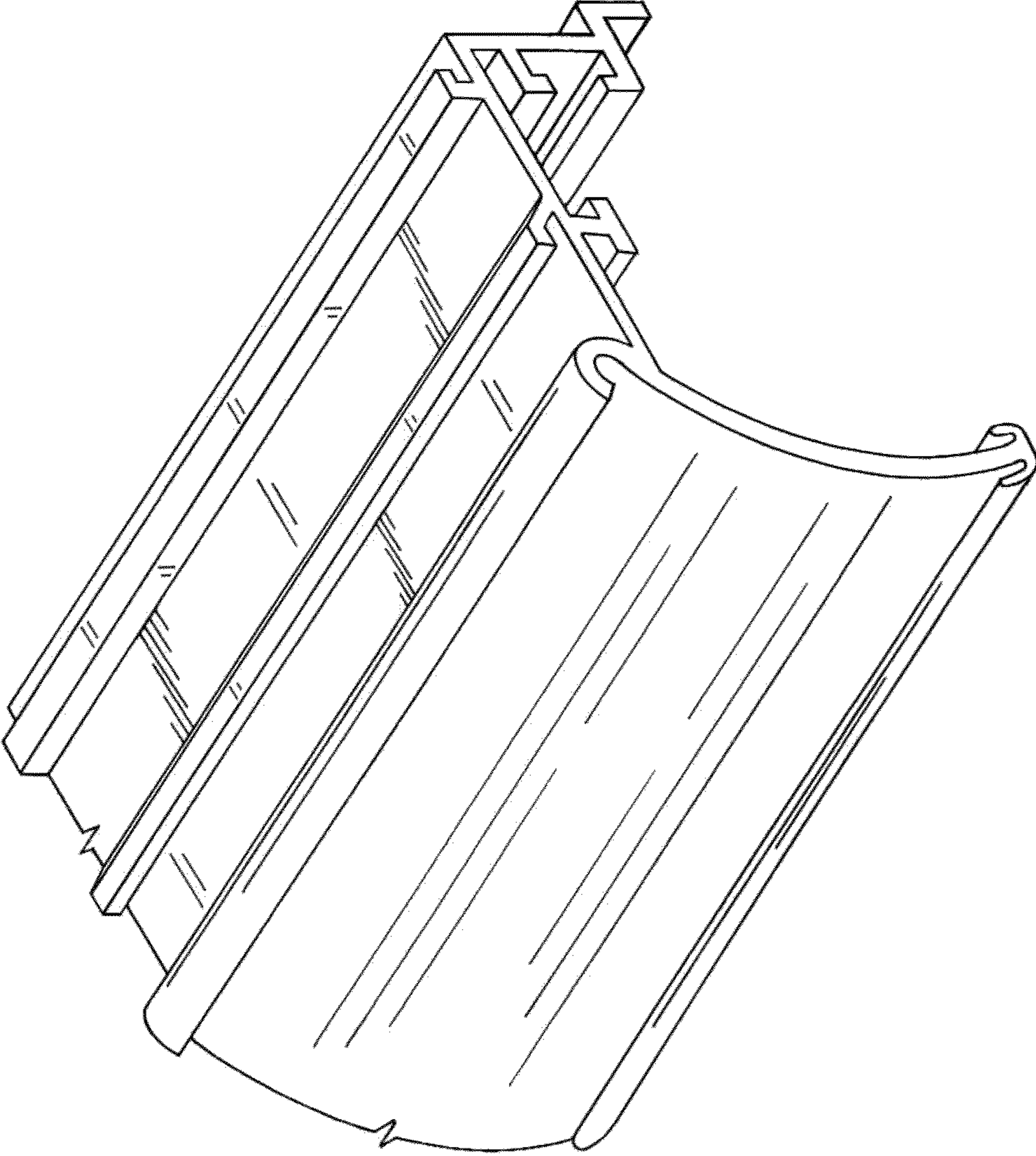


FIG.1

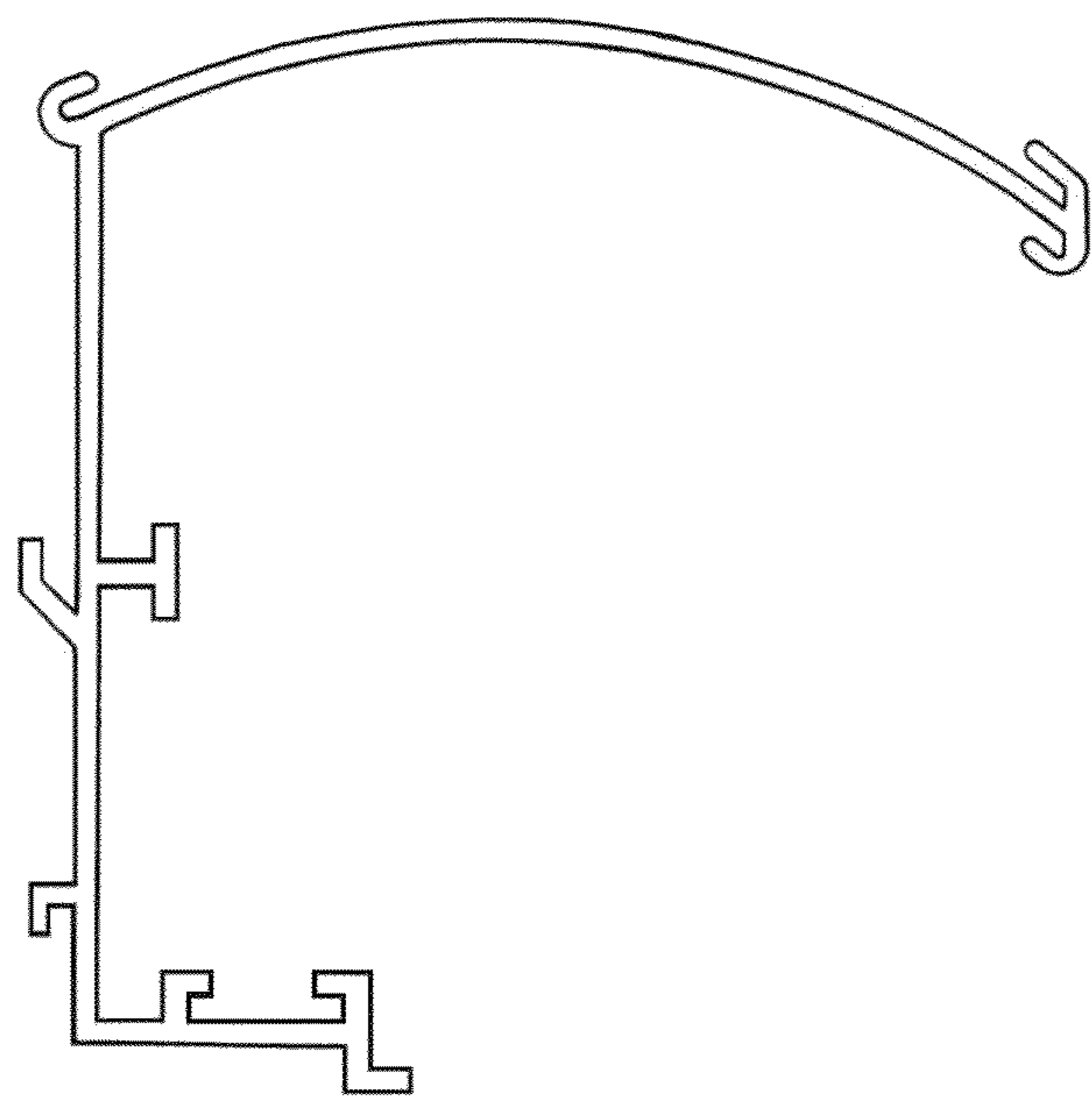


FIG.3

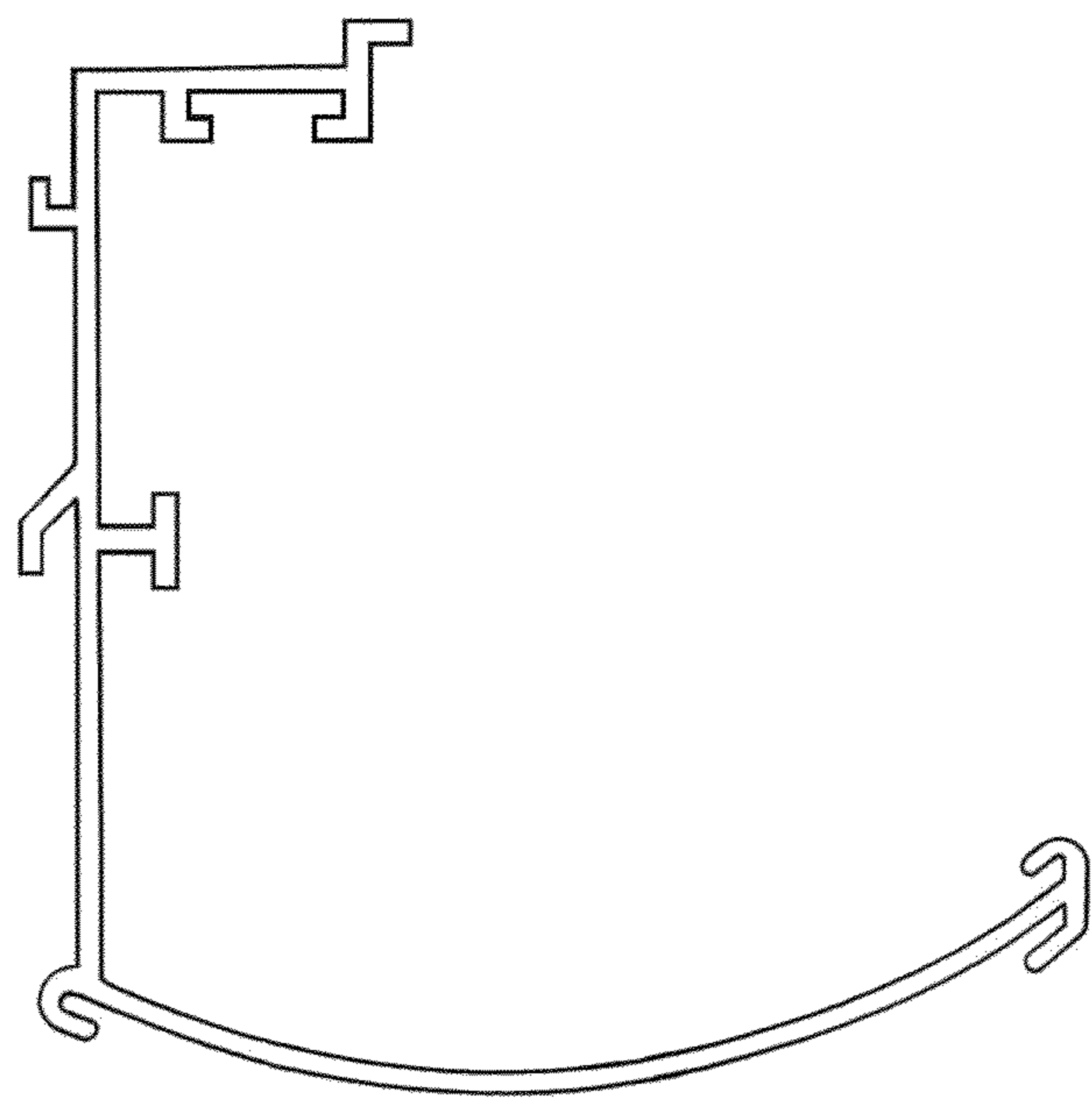


FIG.2

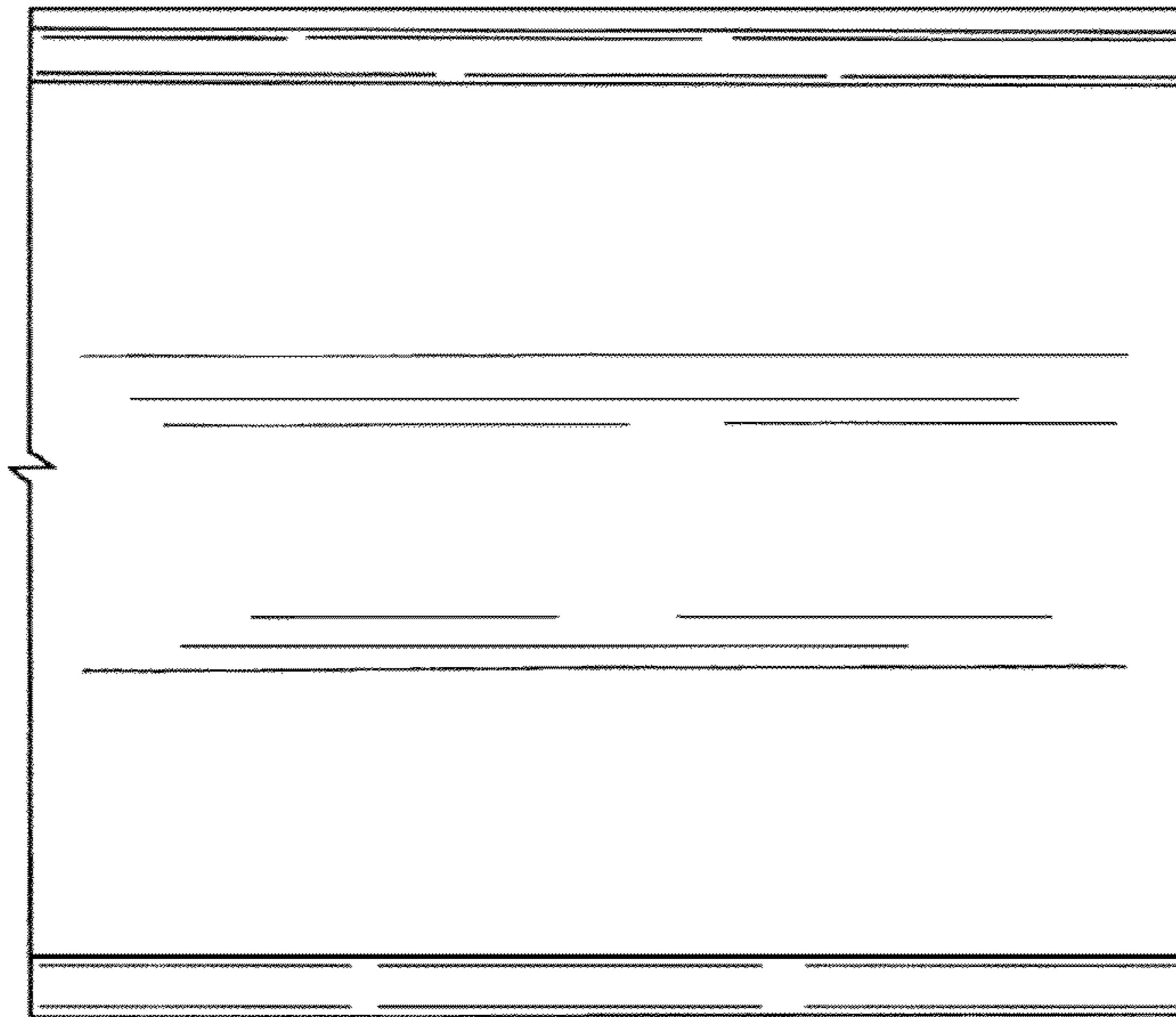


FIG. 4

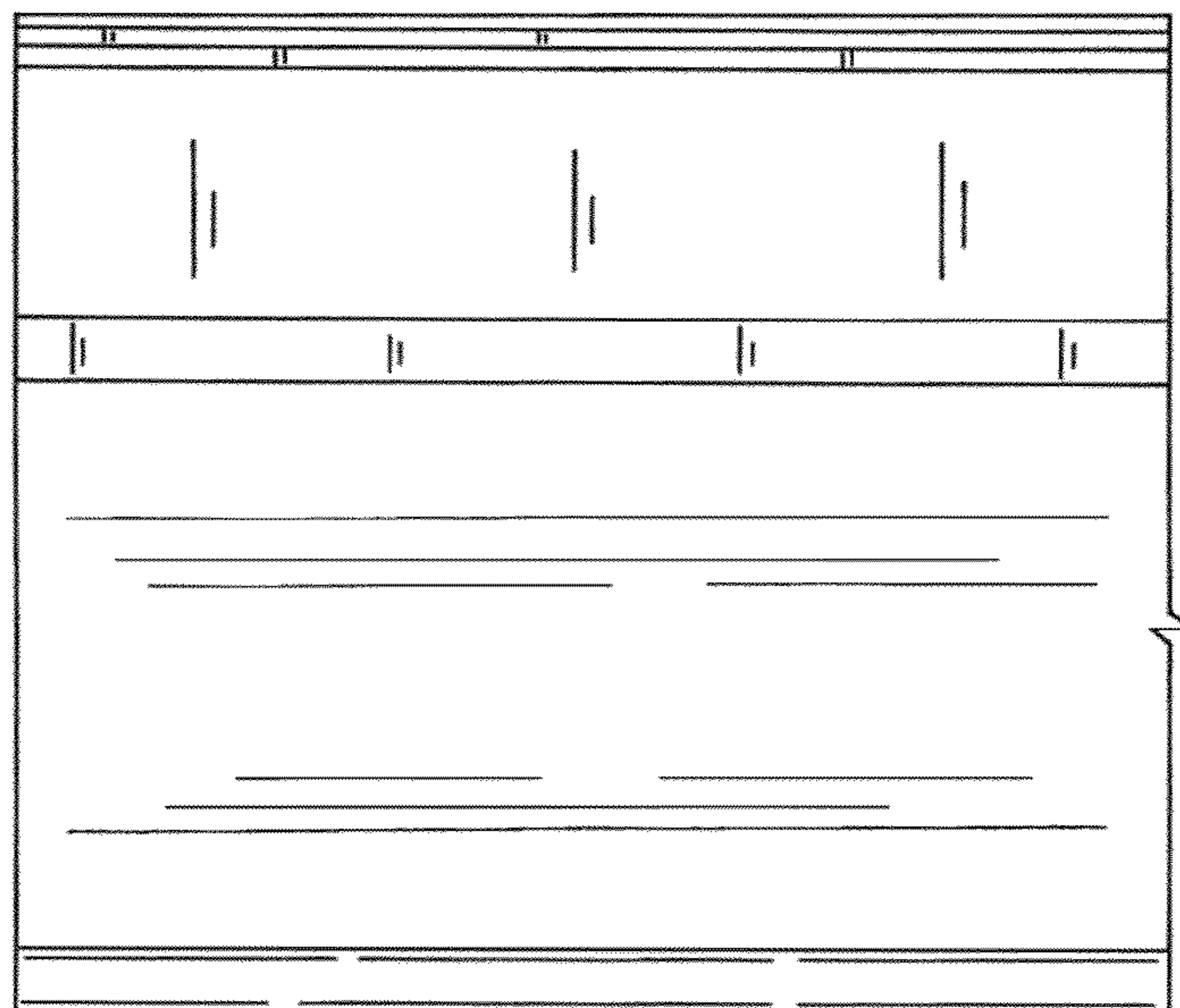


FIG. 5

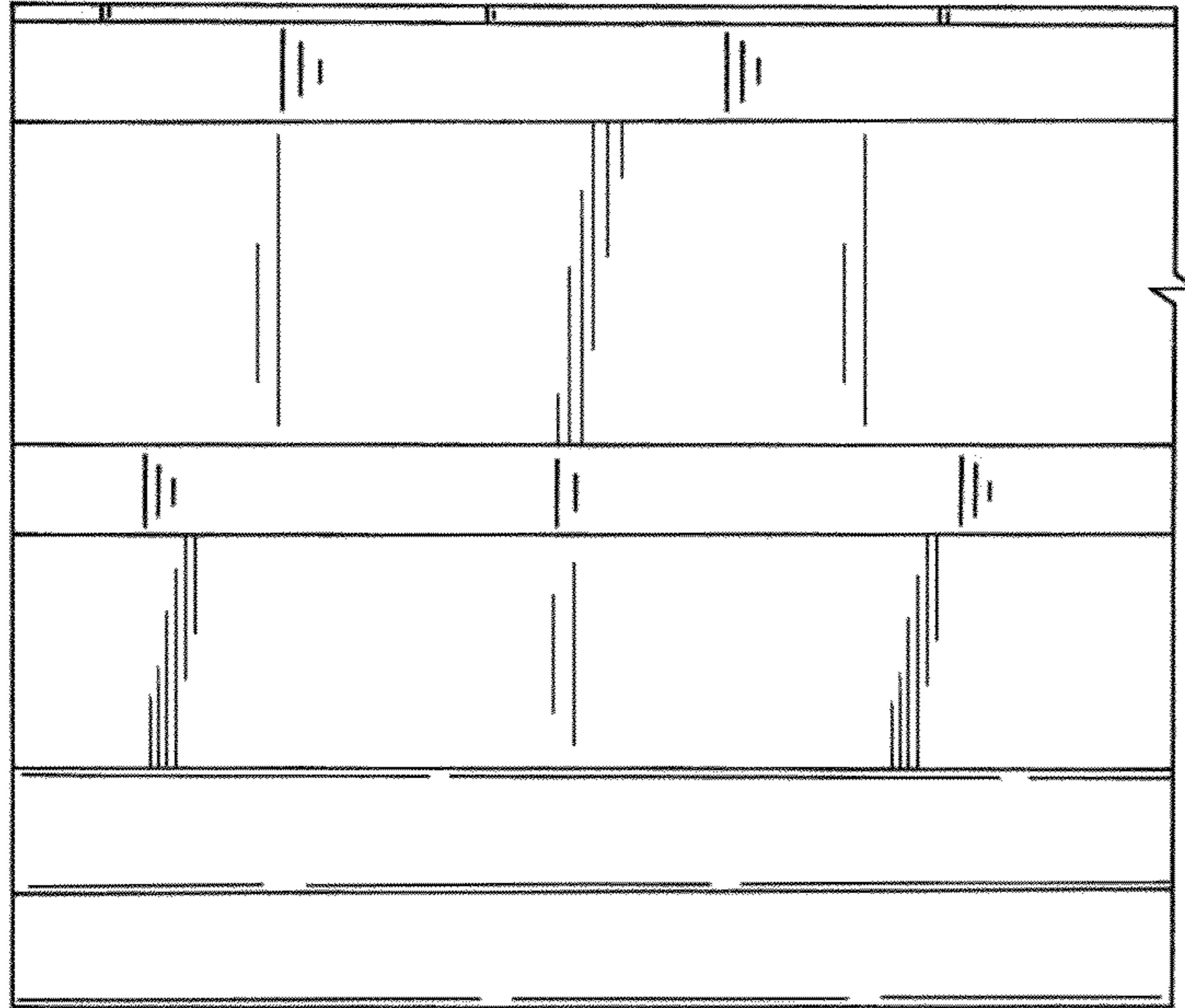


FIG. 7

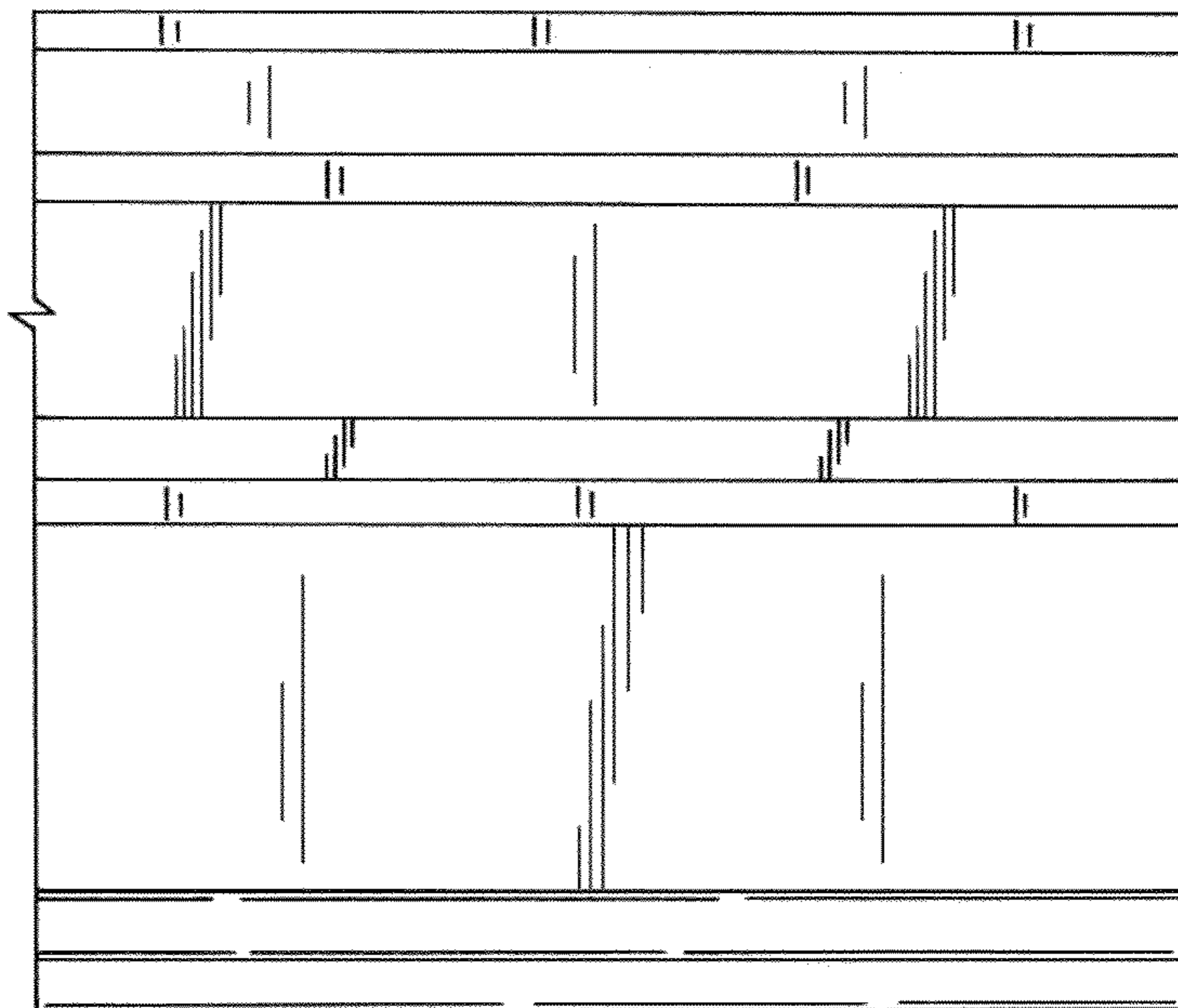


FIG. 6