



US00D699975S

(12) **United States Design Patent**
Snider

(10) **Patent No.:** **US D699,975 S**

(45) **Date of Patent:** **** Feb. 25, 2014**

(54) **SHOWER CADDY WITH A CURVED WIRE BASE AND ADJUSTABLE MOUNTING HOOKS**

(74) *Attorney, Agent, or Firm* — Gerald E. Hespos; Michael J. Porco; Matthew T. Hespos

(71) Applicant: **MSA Products, Inc.**, Nyack, NY (US)

(72) Inventor: **Martin Snider**, New City, NY (US)

(73) Assignee: **MSA Products, Inc.**, Nyack, NY (US)

(**) Term: **14 Years**

(21) Appl. No.: **29/441,614**

(22) Filed: **Jan. 8, 2013**

(51) **LOC (10) Cl.** **06-04**

(52) **U.S. Cl.**
USPC **D6/562**; D6/566; D6/525

(58) **Field of Classification Search**
USPC D6/524, 562, 546–550, 527, 532–53,
D6/535, 574, 566, 433; D8/300, 315–320;
D23/271, 303, 304; 211/13.1, 71.01,
211/86.01, 87.01, 88.01, 88.04, 90.01, 123,
211/126.1, 133.1, 134; 248/220.1, 235,
248/251, 309.1
See application file for complete search history.

(56) **References Cited**

U.S. PATENT DOCUMENTS

| | | | | | |
|-----------|-----|---------|------------------|-------|--------|
| 4,244,301 | A * | 1/1981 | Nakatsu | | D6/562 |
| 5,348,168 | A * | 9/1994 | Emery | | D6/525 |
| D417,991 | S * | 12/1999 | Hofman et al. | | D6/525 |
| D419,020 | S * | 1/2000 | Emery et al. | | D6/562 |
| D563,138 | S * | 3/2008 | Kramer | | D6/562 |
| D572,502 | S * | 7/2008 | Yang et al. | | D6/562 |
| D620,293 | S * | 7/2010 | Guindi | | D6/562 |
| D653,067 | S * | 1/2012 | Cittadino et al. | | D6/562 |

* cited by examiner

Primary Examiner — Brian N Vinson

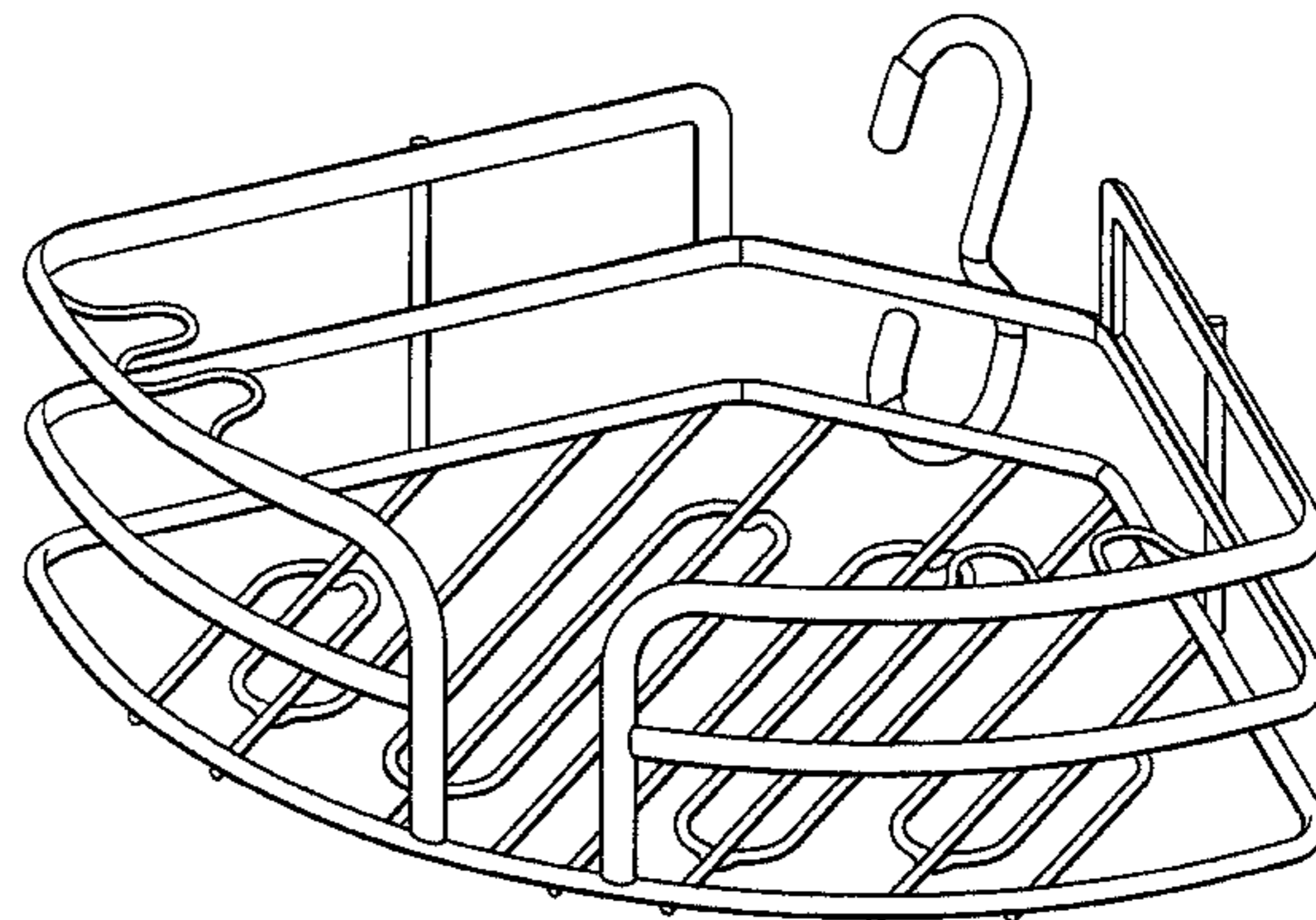
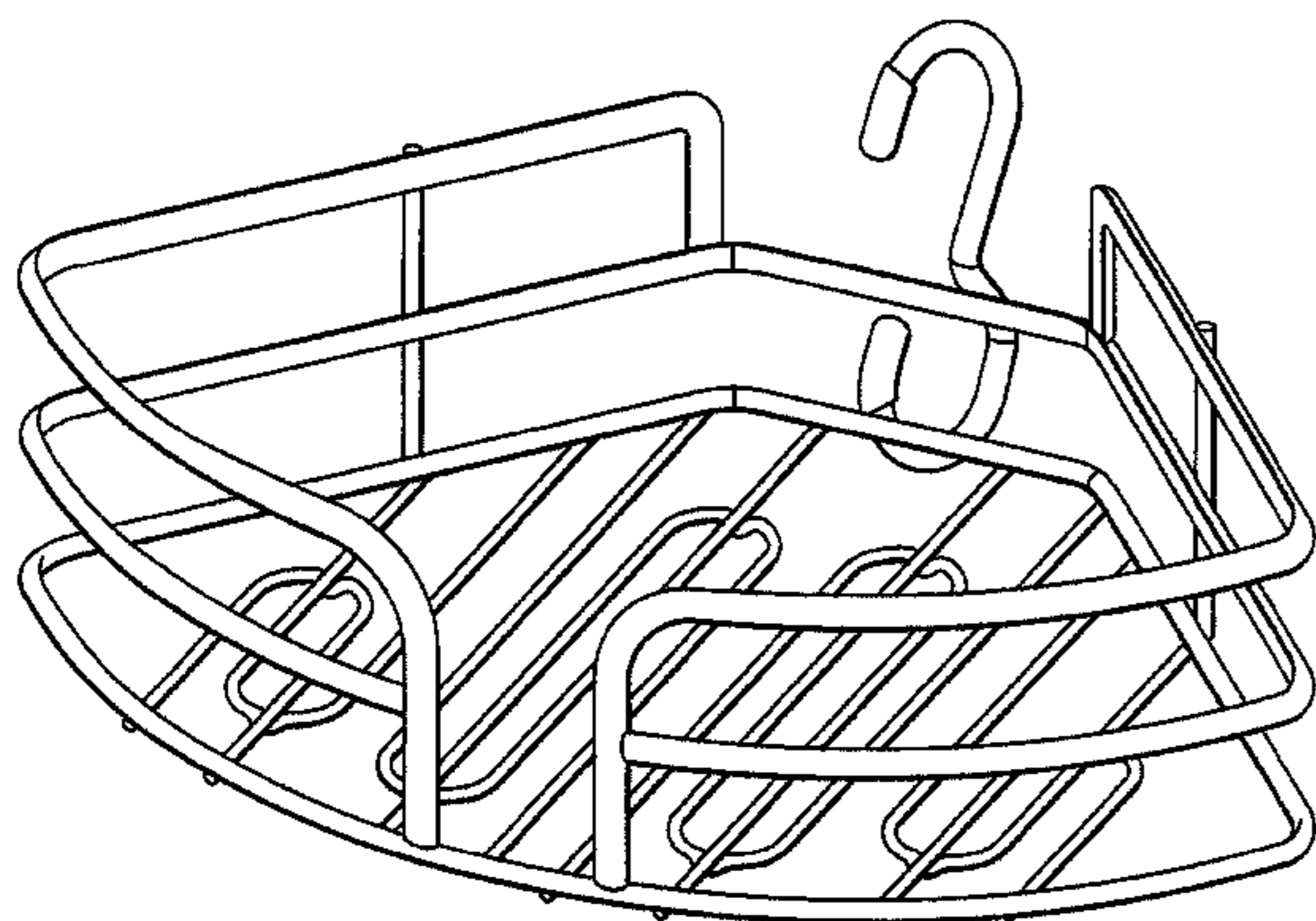
(57) **CLAIM**

The ornamental design for a shower caddy with a curved wire base and adjustable mounting hooks, as shown and described.

DESCRIPTION

FIG. 1 is a perspective view of a shower caddy with a curved wire base and adjustable mounting hooks in accordance with a first embodiment of my design;
 FIG. 2 is a top plan view of the shower caddy of FIG. 1;
 FIG. 3 is a front elevational view of the shower caddy of FIG. 1;
 FIG. 4 is a side elevational view as seen from the left side in FIG. 1;
 FIG. 5 is a side elevational view as seen from the right side in FIG. 1;
 FIG. 6 is a rear view of the shower caddy of FIG. 1;
 FIG. 7 is a bottom plan view of the shower caddy of FIG. 1;
 FIG. 8 is a perspective view of a shower caddy with a shelf having a curved wire base and adjustable mounting hooks in accordance with a second embodiment of my design;
 FIG. 9 is a top plan view of the shower caddy of FIG. 8;
 FIG. 10 is a front elevational view of the shower caddy of FIG. 8;
 FIG. 11 is a side elevational view as seen from the left side in FIG. 8;
 FIG. 12 is a side elevational view as seen from the right side in FIG. 8;
 FIG. 13 is a rear view of the shower caddy of FIG. 8; and
 FIG. 14 is a bottom plan view of the shower caddy of FIG. 8.

1 Claim, 8 Drawing Sheets



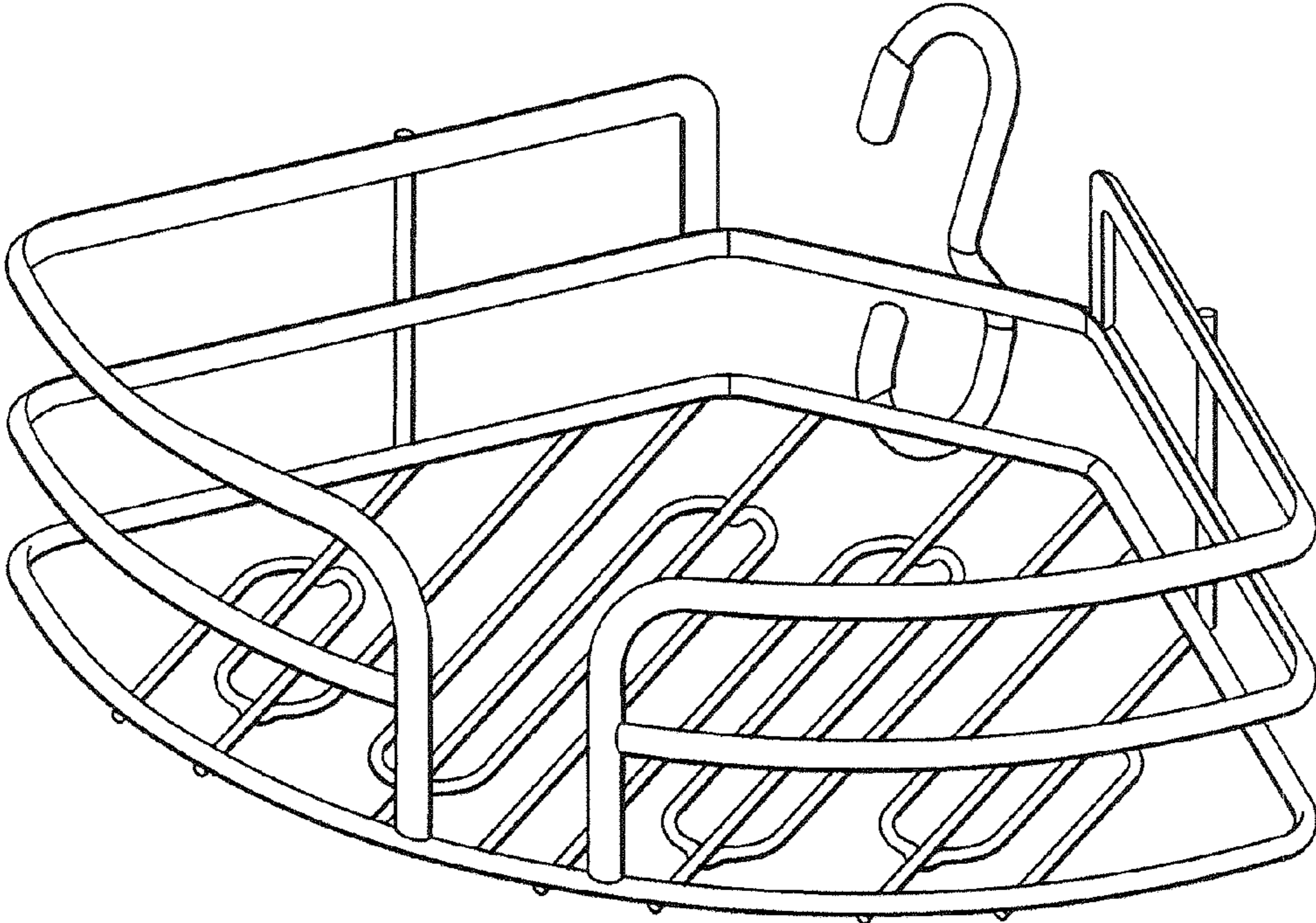


FIG. 1

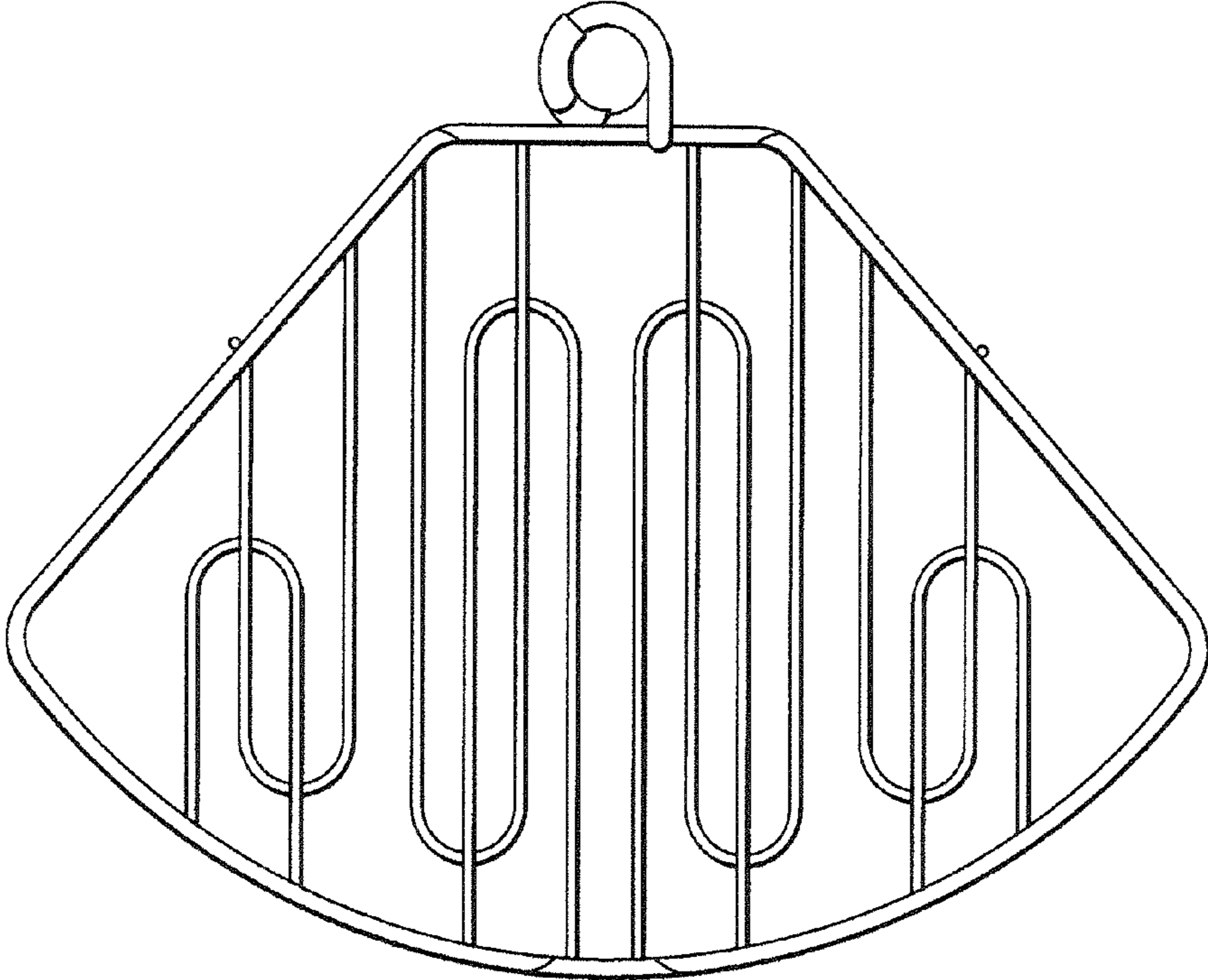


FIG. 2

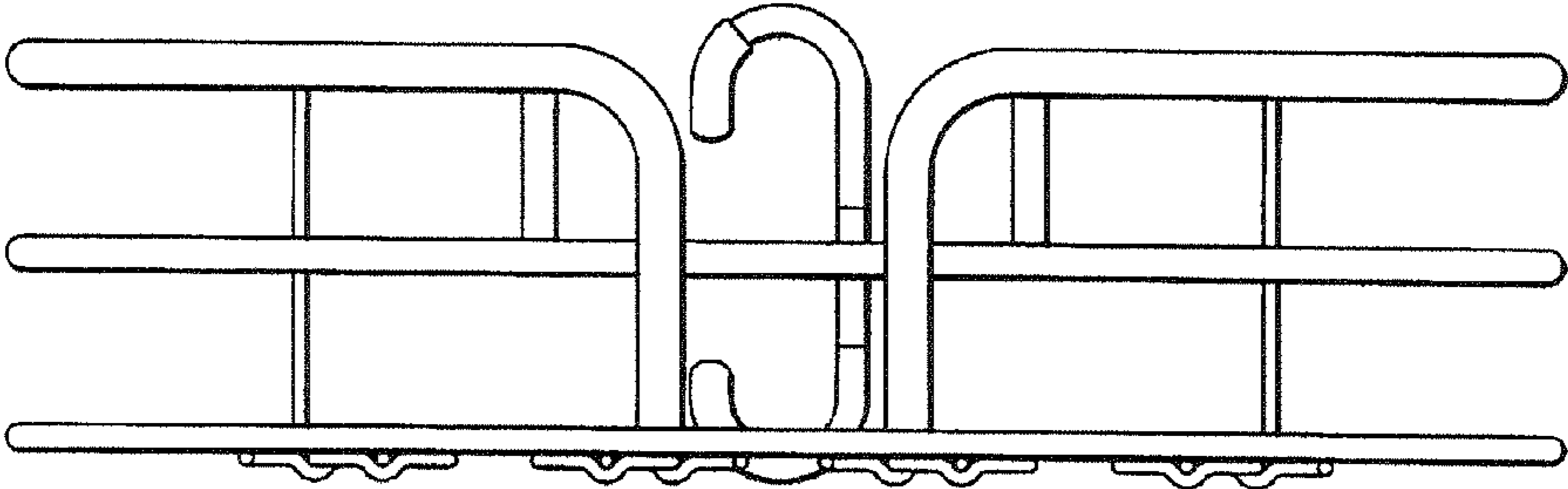


FIG. 3

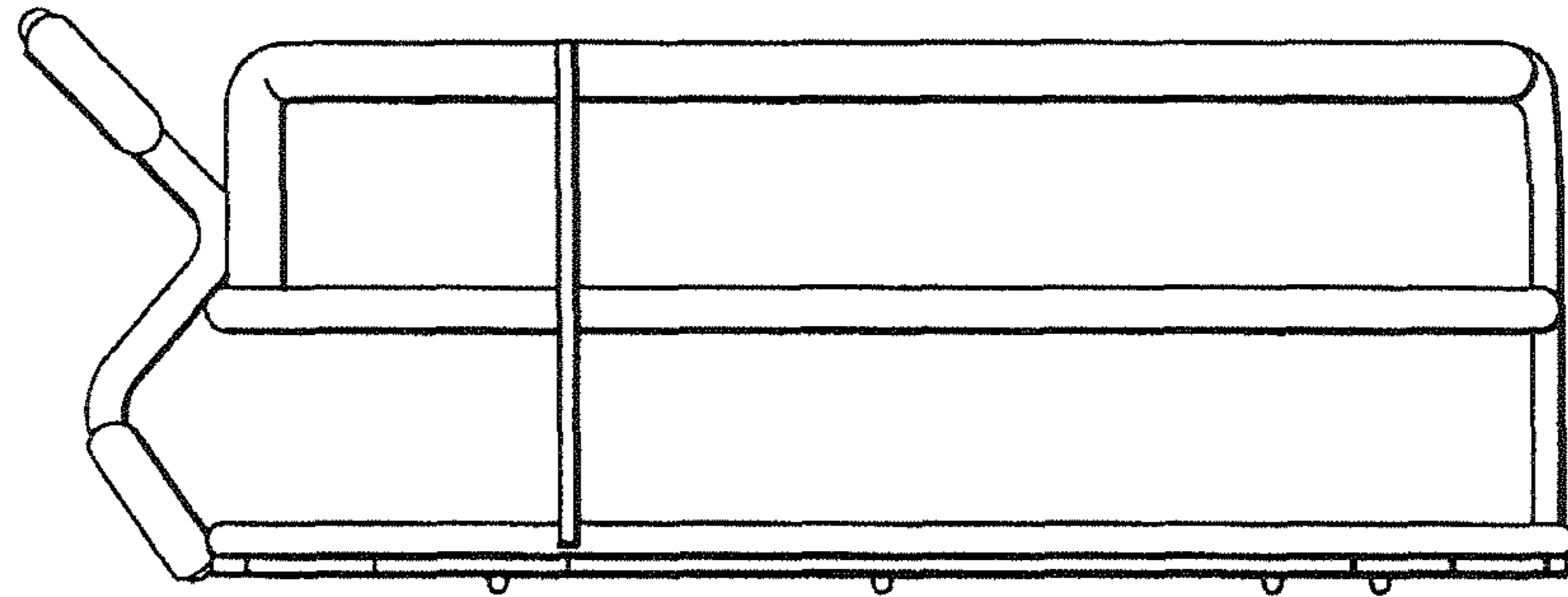


FIG. 4

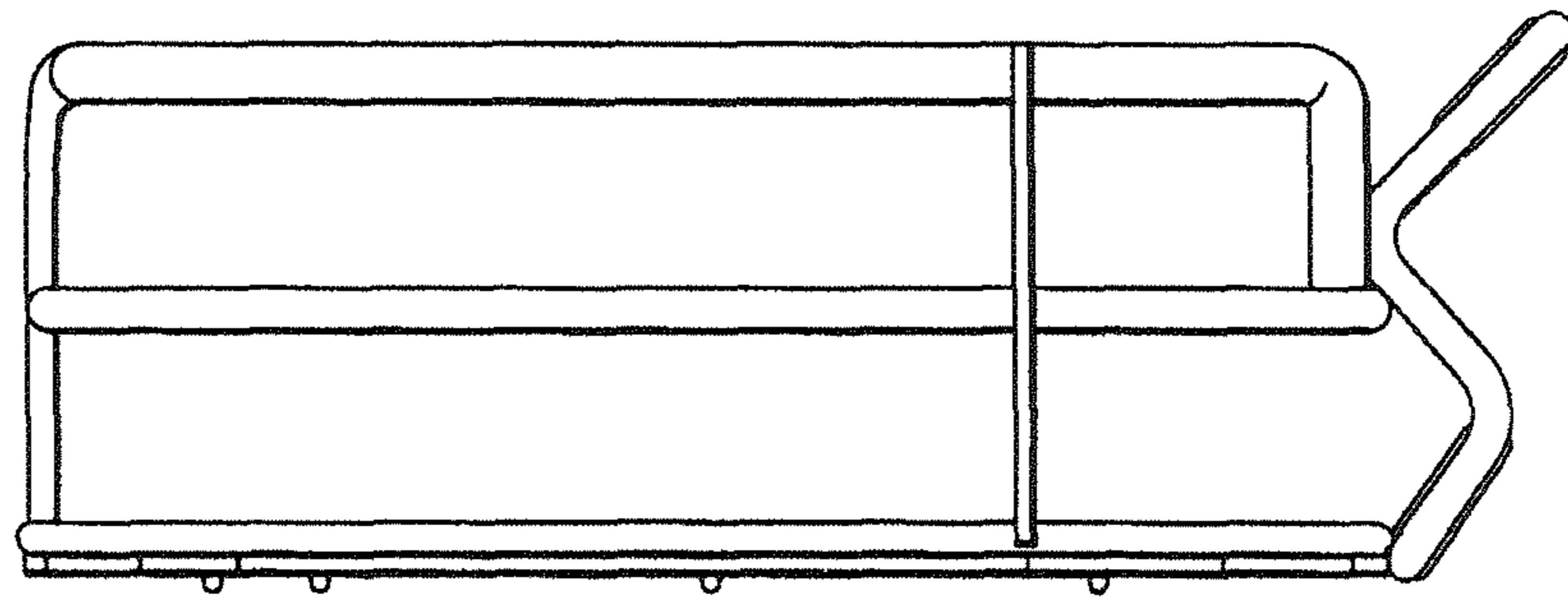


FIG. 5

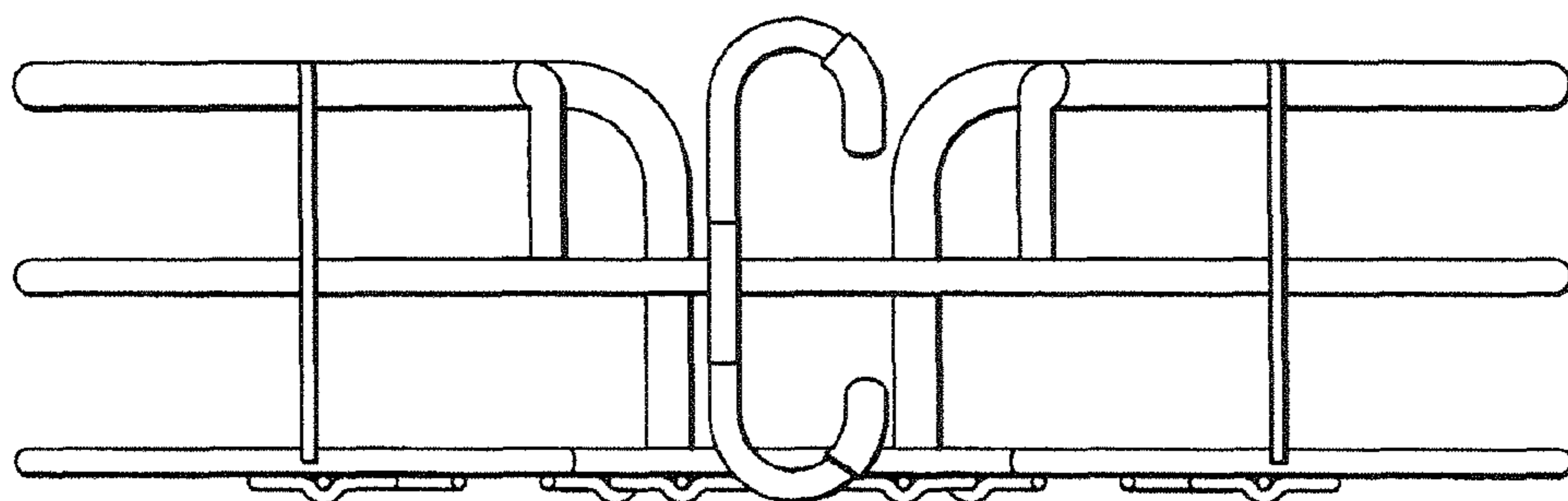


FIG. 6

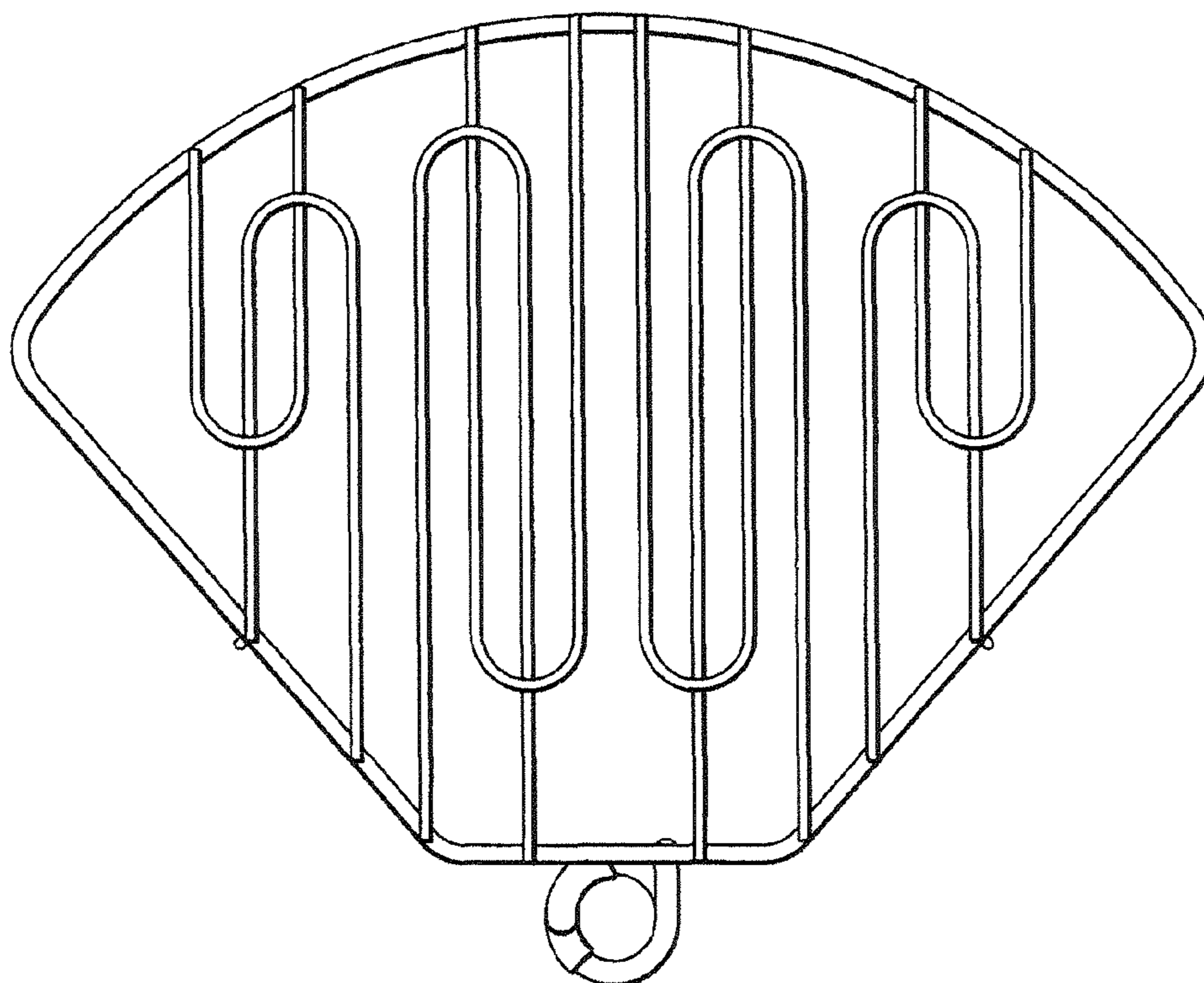


FIG. 7

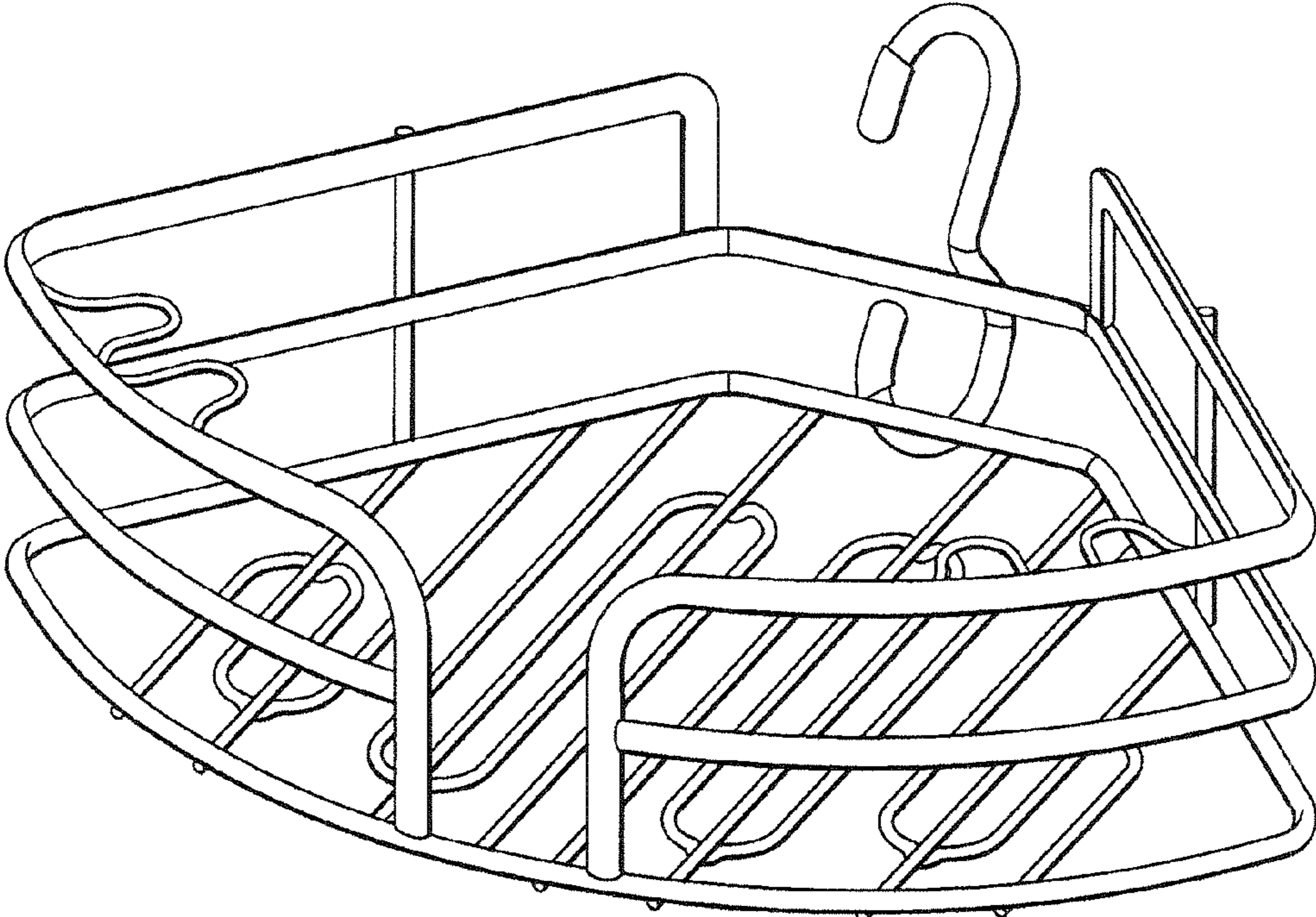


FIG.8

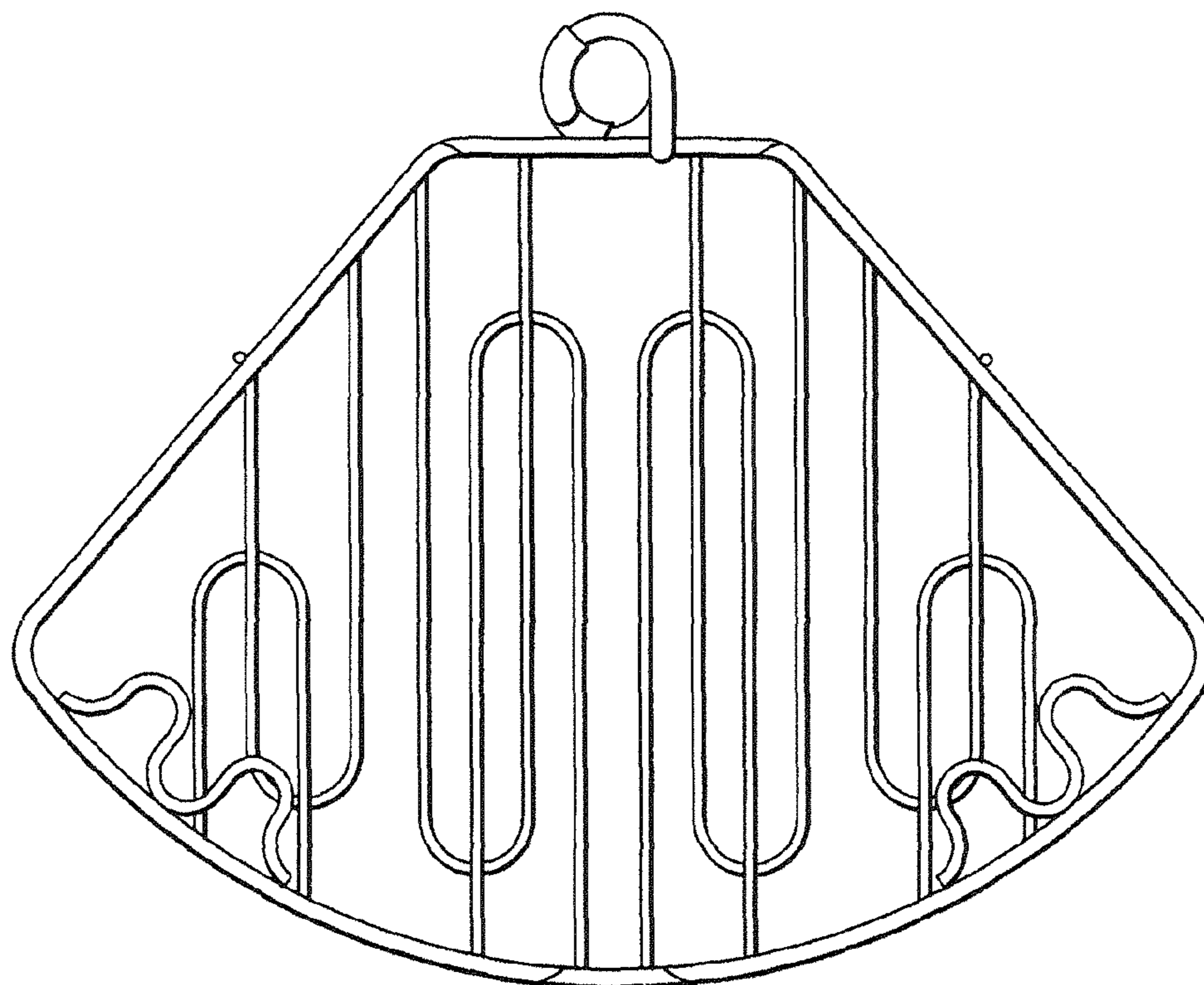


FIG. 9

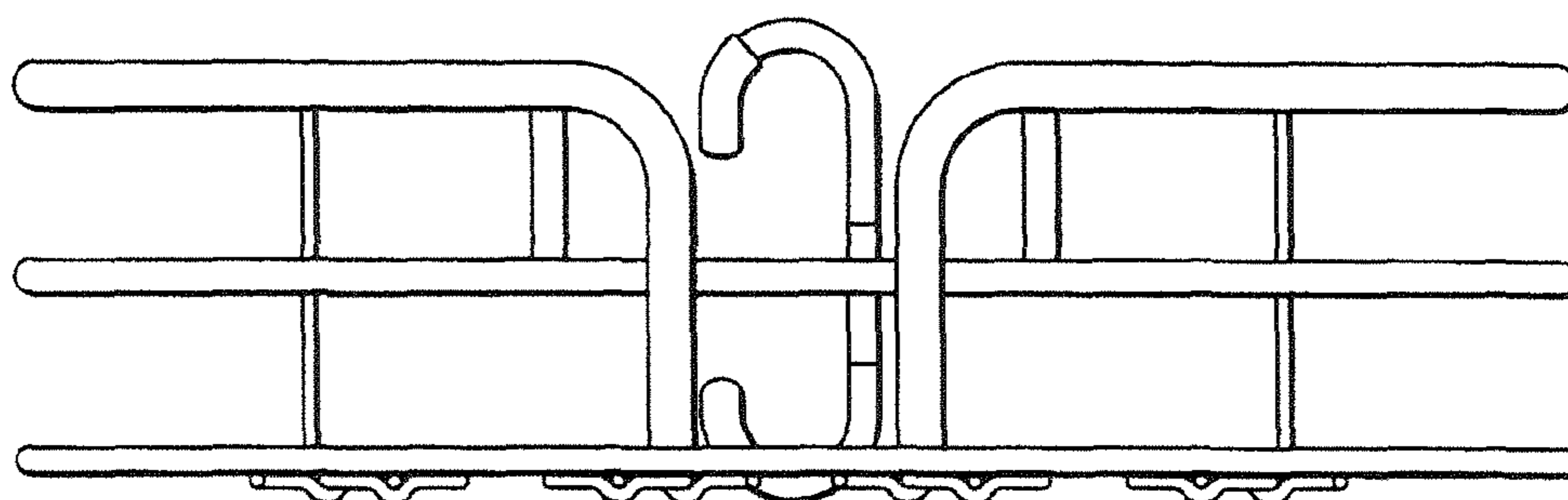


FIG. 10

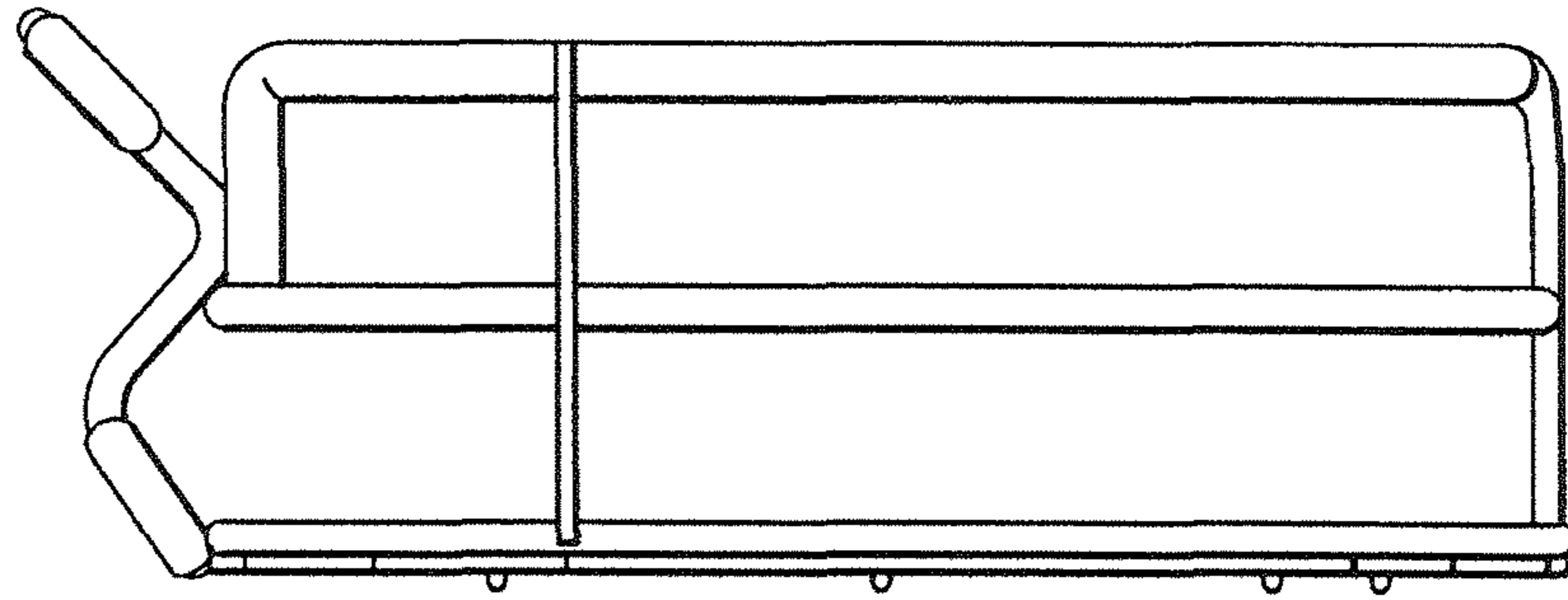


FIG. 11

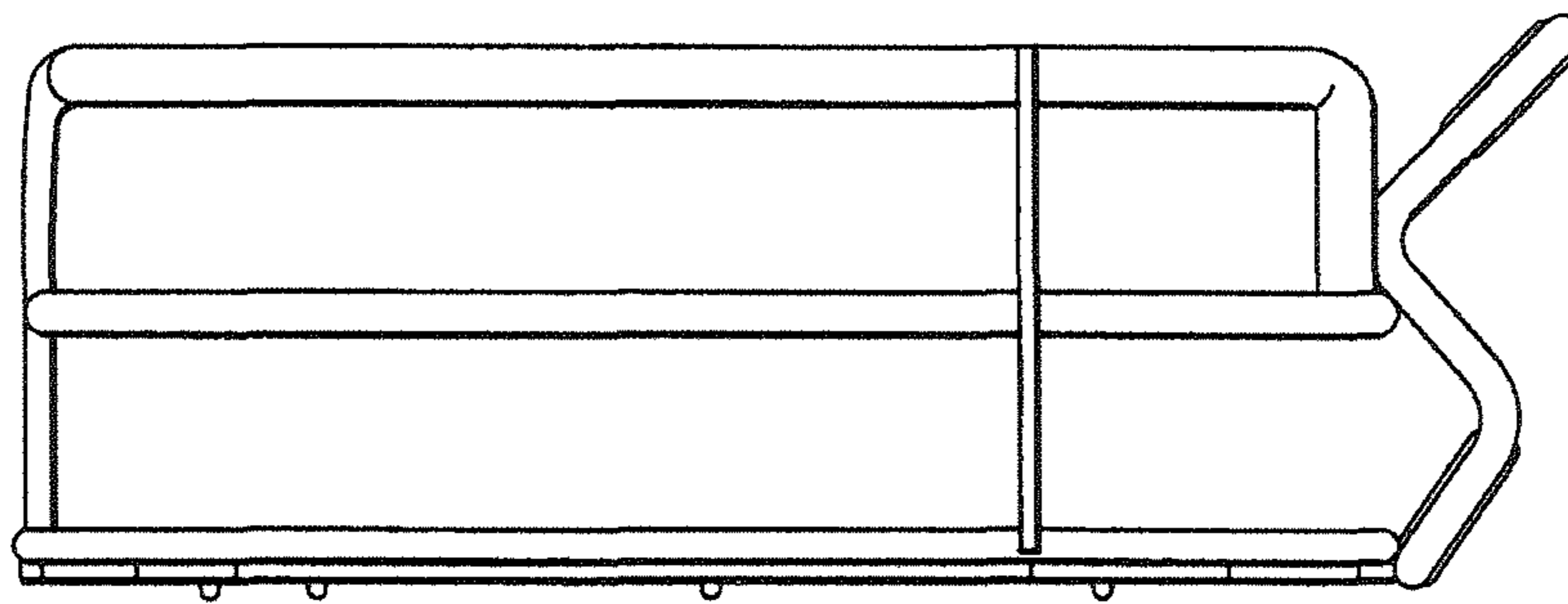


FIG. 12

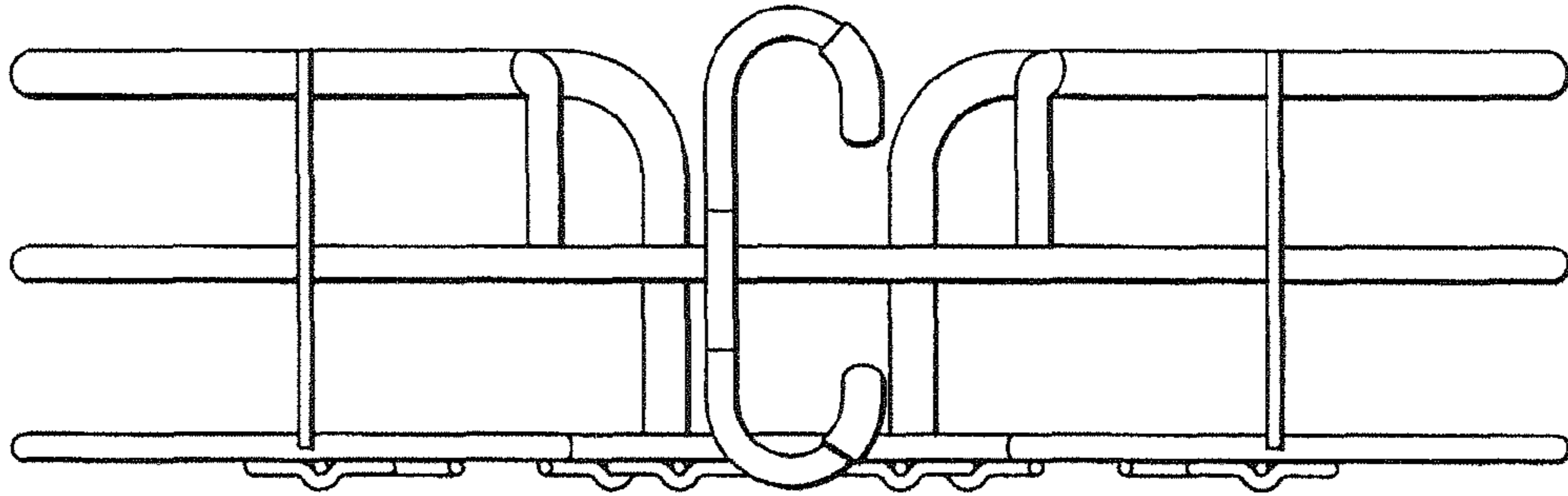


FIG. 13

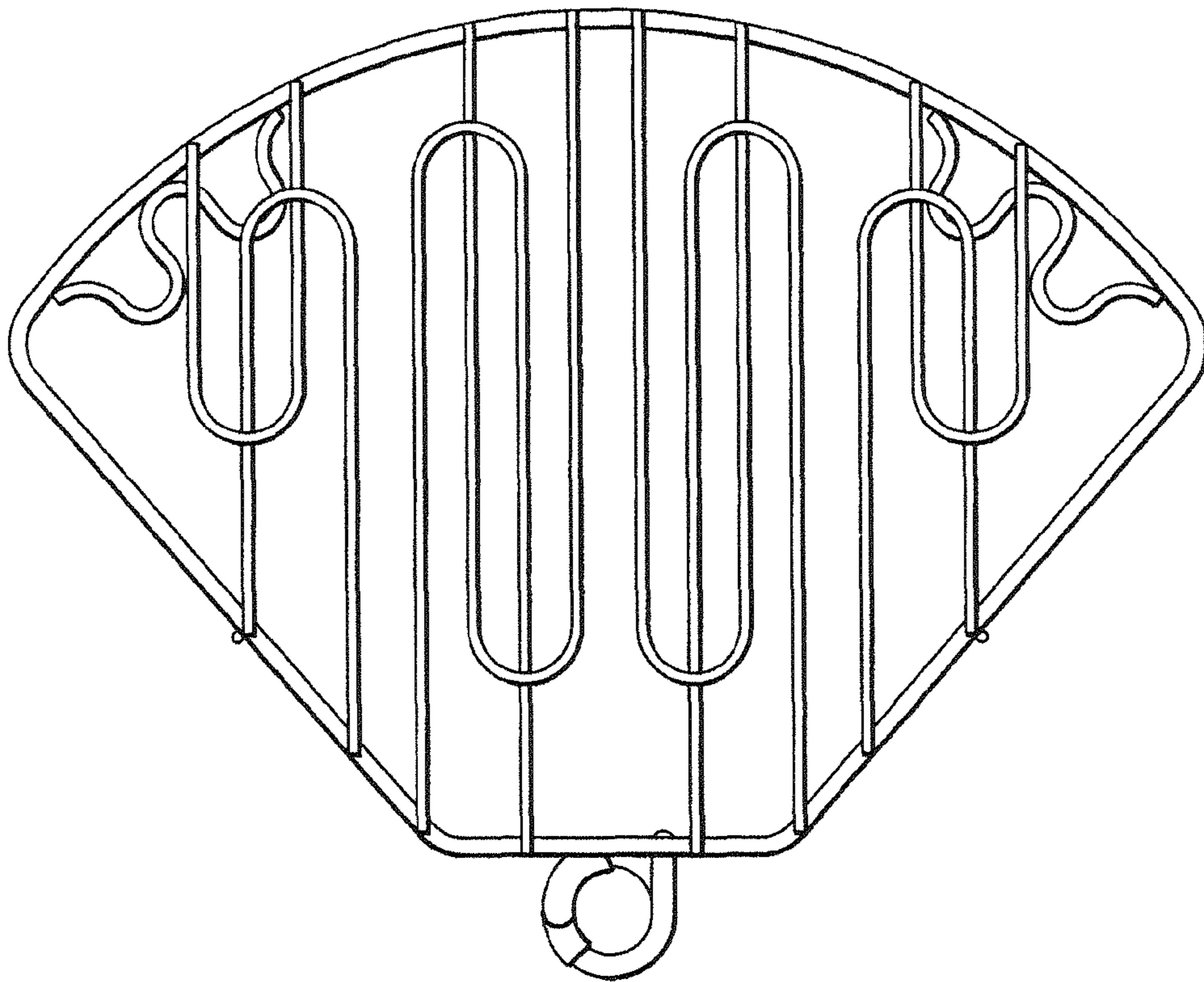


FIG. 14