

US00D699973S

(12) **United States Design Patent**
Pan et al.

(10) **Patent No.:** **US D699,973 S**

(45) **Date of Patent:** **** Feb. 25, 2014**

(54) **CADDY**

(71) Applicant: **3M Innovative Properties Company**,
St. Paul, MN (US)

(72) Inventors: **Angela L. Pan**, Woodbury, MN (US);
Craig D. Thompson, Inver Grove
Heights, MN (US); **Giuseppe De Bellis**,
San Donato Milanese (IT)

(73) Assignee: **3M Innovative Properties Company**,
St. Paul, MN (US)

(**) Term: **14 Years**

(21) Appl. No.: **29/455,462**

(22) Filed: **May 21, 2013**

(51) **LOC (10) Cl.** **06-04**

(52) **U.S. Cl.**
USPC **D6/553**

(58) **Field of Classification Search**
USPC D6/553, 540, 567, 574; D3/201, 304,
D3/315, 901; 211/13.1, 85.1, 82.12, 70.6,
211/86.01, 87.01, 119.009, 126.1;
206/77.1, 5, 207, 349, 361, 363.812

See application file for complete search history.

(56) **References Cited**

U.S. PATENT DOCUMENTS

D143,677 S *	1/1946	Smith	D6/520
4,830,198 A *	5/1989	Colquitt	211/70.6
D327,197 S *	6/1992	Belokin et al.	D6/567
D409,426 S *	5/1999	Hampshire	D6/567
D458,070 S *	6/2002	Bennett et al.	D6/567
D502,221 S *	2/2005	Chen et al.	D6/567
D532,234 S *	11/2006	Snell	D6/567
D668,495 S *	10/2012	Henderson	D6/553

* cited by examiner

Primary Examiner — Brian N Vinson

(74) *Attorney, Agent, or Firm* — Irina Hass

(57) **CLAIM**

The ornamental design for a caddy, as shown and described.

DESCRIPTION

FIG. 1 is a perspective view showing the new design for a caddy;

FIG. 2 is a front view thereof;

FIG. 3 is a rear view thereof;

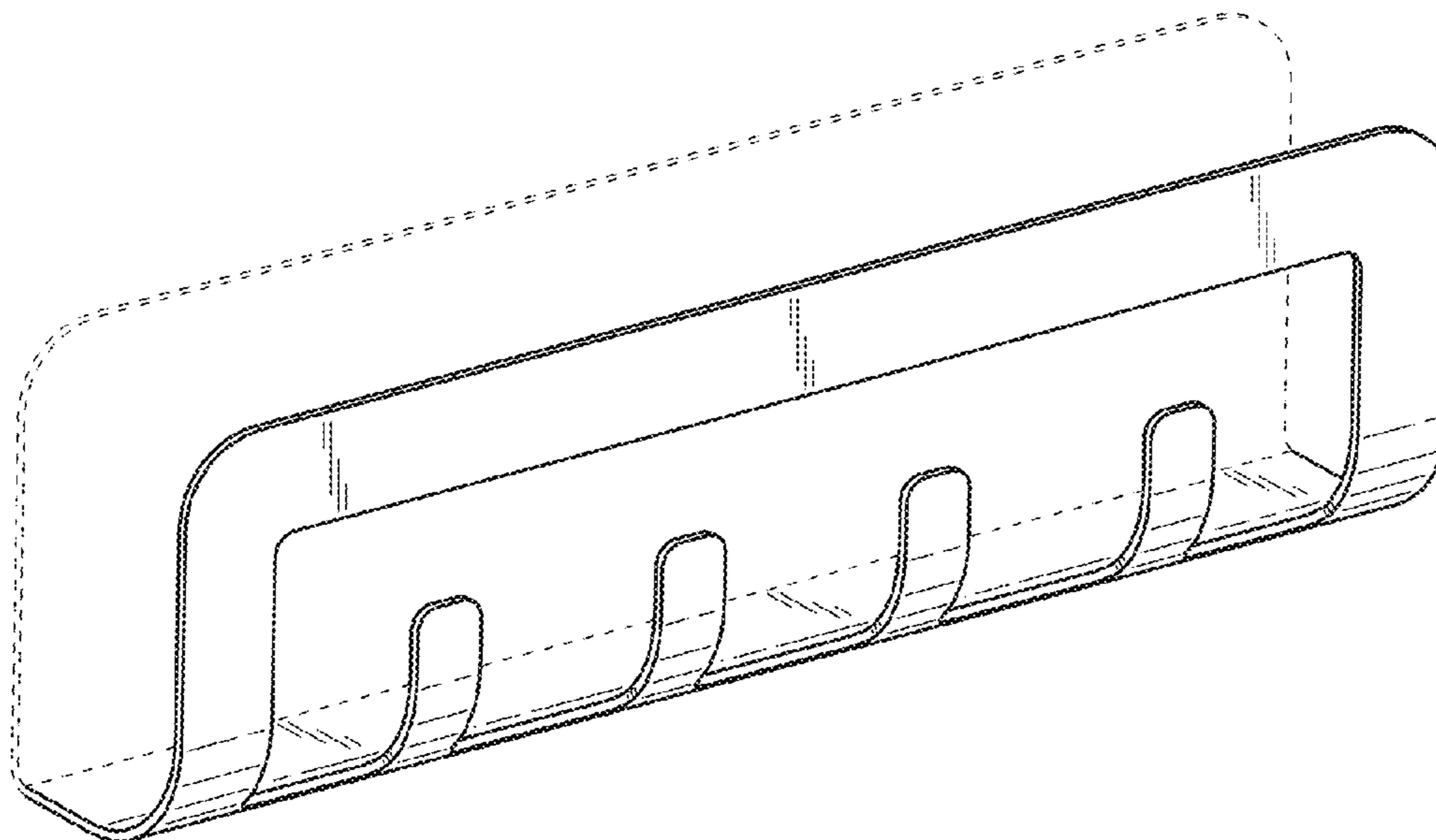
FIG. 4 is a top view thereof;

FIG. 5 is a bottom view thereof; and,

FIG. 6 is a right side view thereof, a left side view being a mirror image thereof.

The portions of the caddy shown in broken lines form no part of the claimed design.

1 Claim, 2 Drawing Sheets



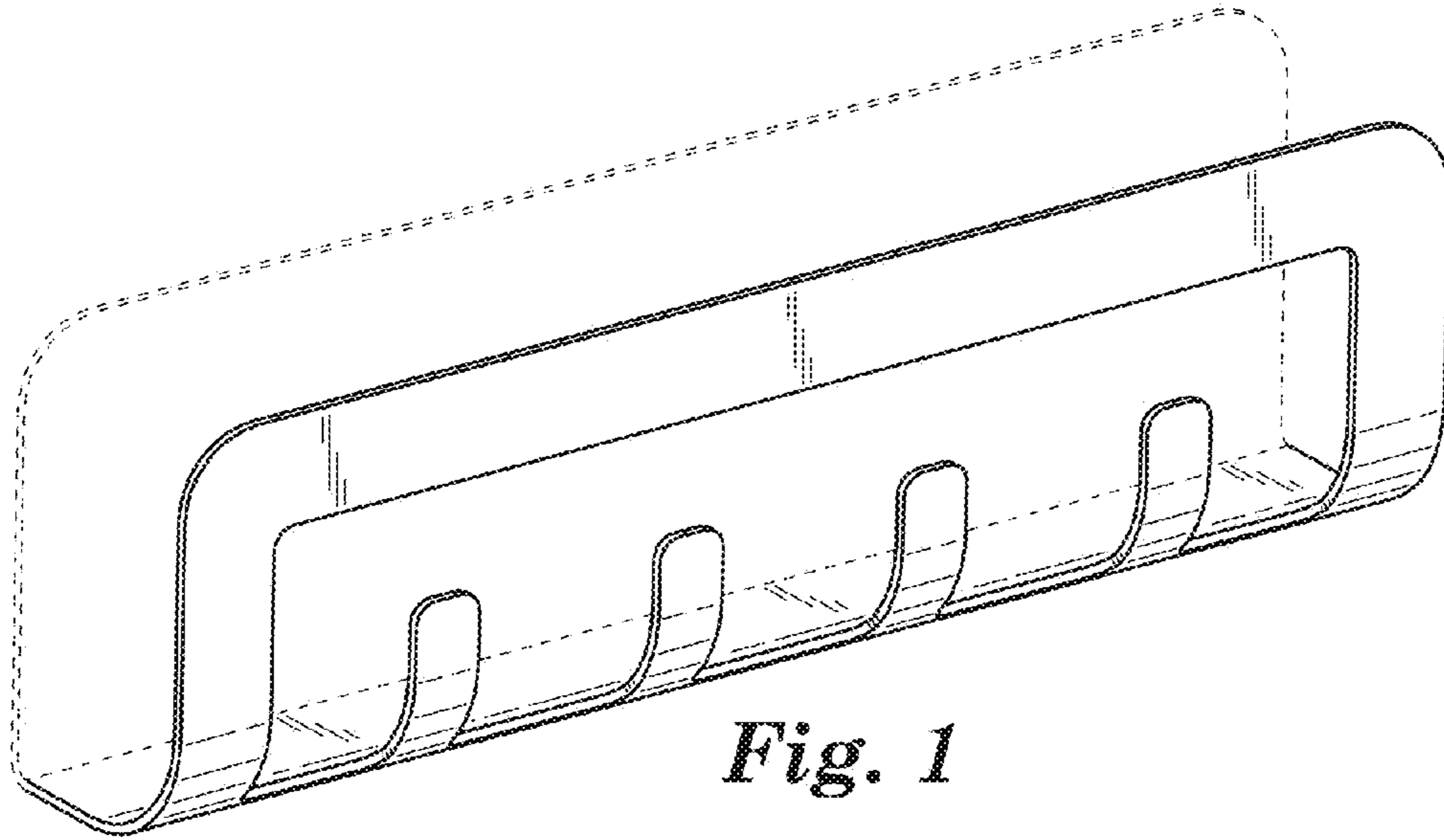


Fig. 1

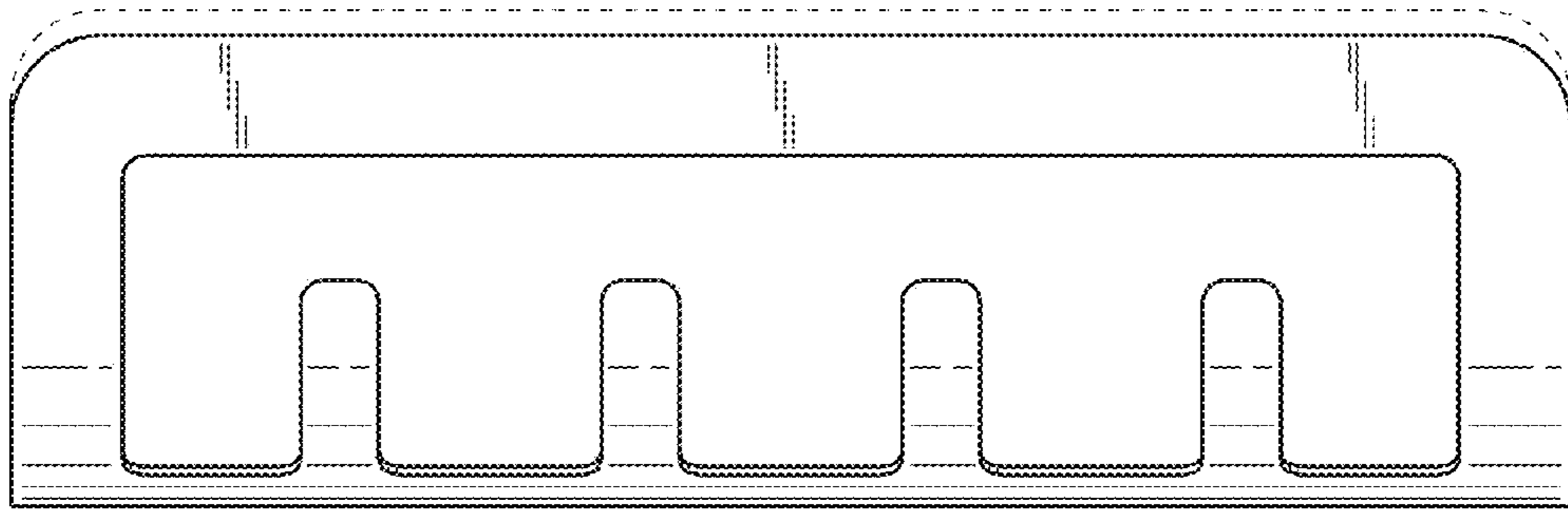


Fig. 2



Fig. 3

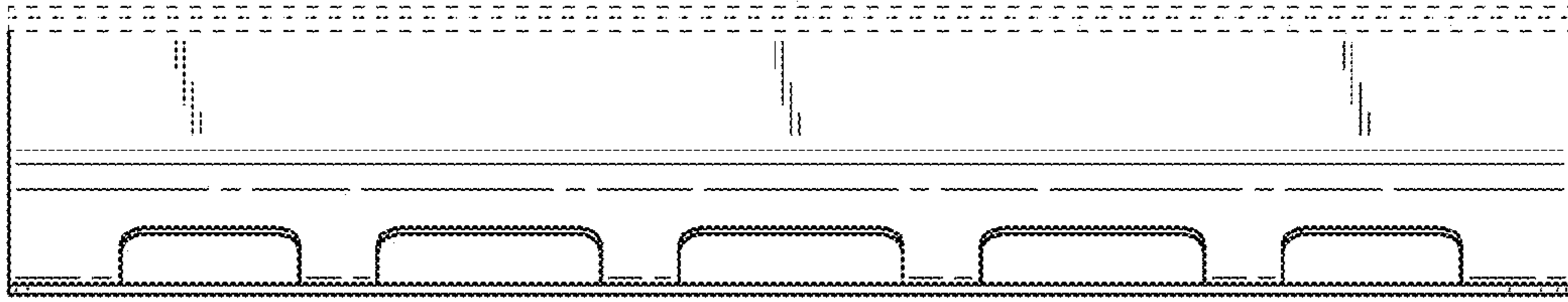


Fig. 4

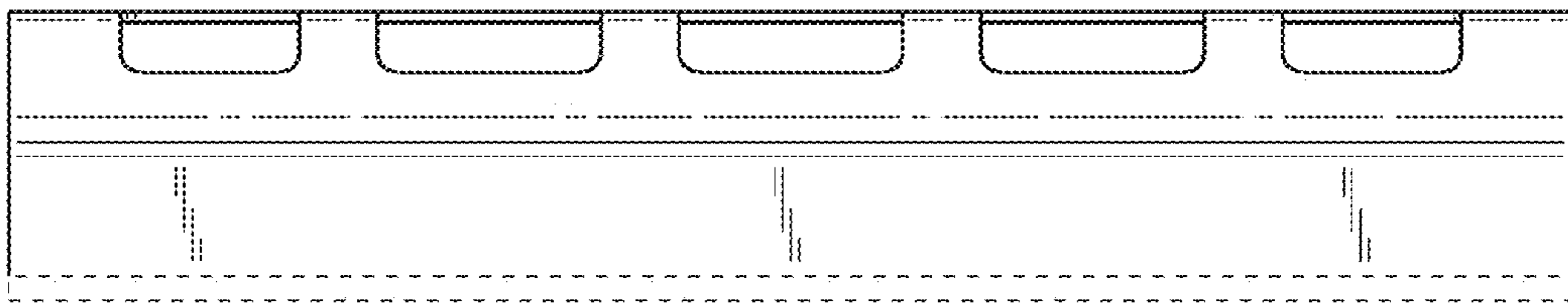


Fig. 5

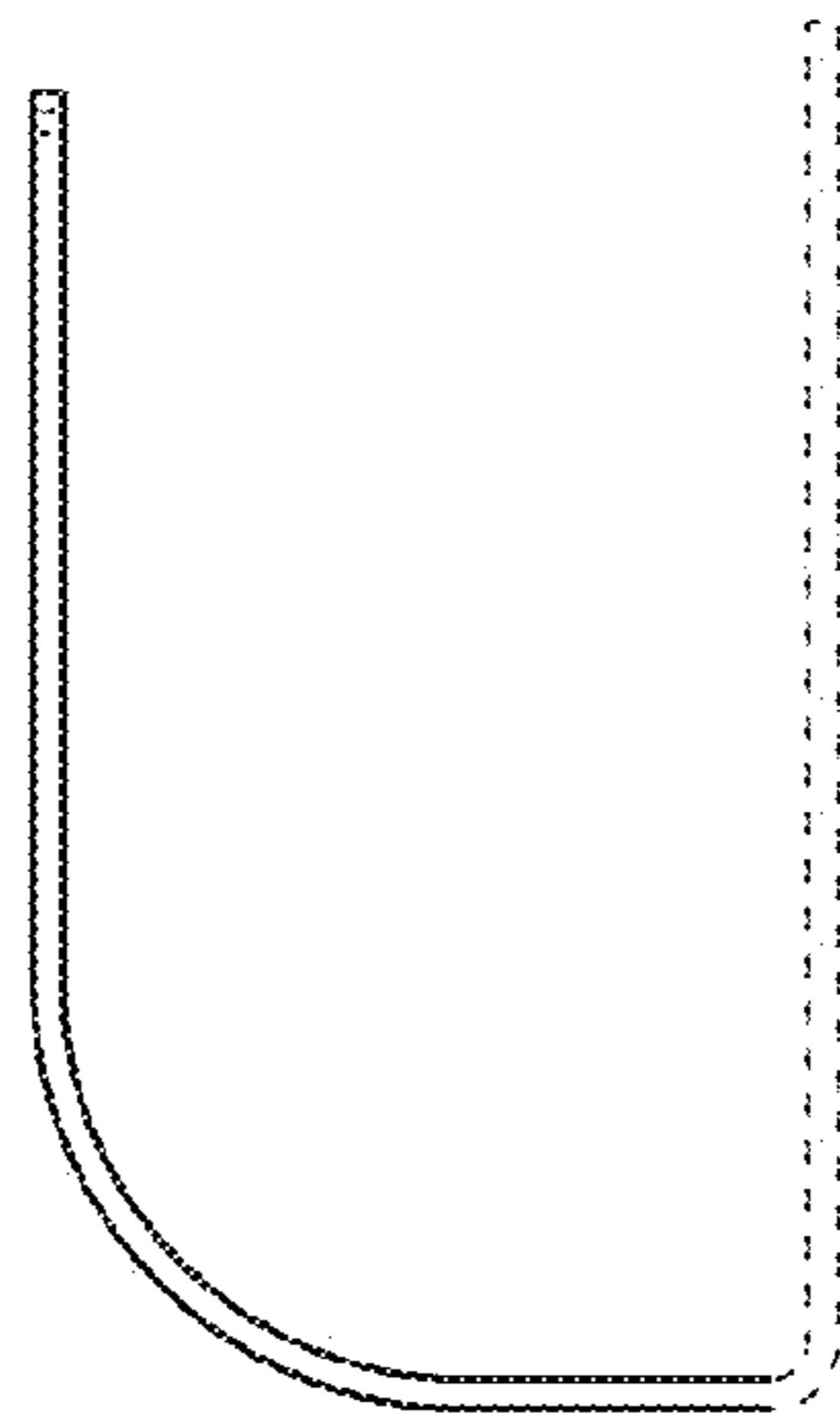


Fig. 6