

US00D699972S

(12) **United States Design Patent**  
**Lee et al.**

(10) **Patent No.:** **US D699,972 S**  
(45) **Date of Patent:** **\*\* Feb. 25, 2014**

(54) **SINK CADDY**

D668,496 S \* 10/2012 Ho et al. .... D6/553  
8,296,876 B2 10/2012 Yang et al.  
2010/0176017 A1 7/2010 Yang et al.

(71) Applicant: **Robinson Home Products Inc.**,  
Williamsville, NY (US)

**OTHER PUBLICATIONS**

(72) Inventors: **Stuart Harvey Lee**, Forest Hills, NY  
(US); **Jenna Marie Edgemon**,  
Brooklyn, NY (US)

Chef'n "Prep'n Catch" (cutting board and food collector) © 2011.

\* cited by examiner

(73) Assignee: **Robinson Home Products Inc.**,  
Williamsville, NY (US)

*Primary Examiner* — Brian N Vinson

(74) *Attorney, Agent, or Firm* — Florek & Endres PLLC

(\*\*) Term: **14 Years**

(57) **CLAIM**

(21) Appl. No.: **29/447,343**

We claim the ornamental design for a sink caddy, as shown  
and described.

(22) Filed: **Mar. 1, 2013**

**DESCRIPTION**

(51) **LOC (10) Cl.** ..... **06-04**

(52) **U.S. Cl.**  
USPC ..... **D6/553**

(58) **Field of Classification Search**  
USPC ..... D6/553, 540, 567, 574; D3/201, 304,  
D3/315, 901; 211/13.1, 85.1, 82.12, 70.6,  
211/86.01, 87.01, 119.009, 126.1;  
206/77.1, 5, 207, 349, 361, 363.812  
See application file for complete search history.

FIG. 1 is a perspective view of the sink caddy of the present  
invention.

FIG. 2 is a left side elevation view of the sink caddy of the  
present invention shown on its side.

FIG. 3 is a right side elevation view of the sink caddy of the  
present invention shown on its side.

FIG. 4 is a top plan view of the sink caddy of the present  
invention.

FIG. 5 is a bottom plan view of the sink caddy of the present  
invention.

FIG. 6 is a front elevation view of the sink caddy of the present  
invention; and,

FIG. 7 is a rear elevation view of the sink caddy of the present  
invention.

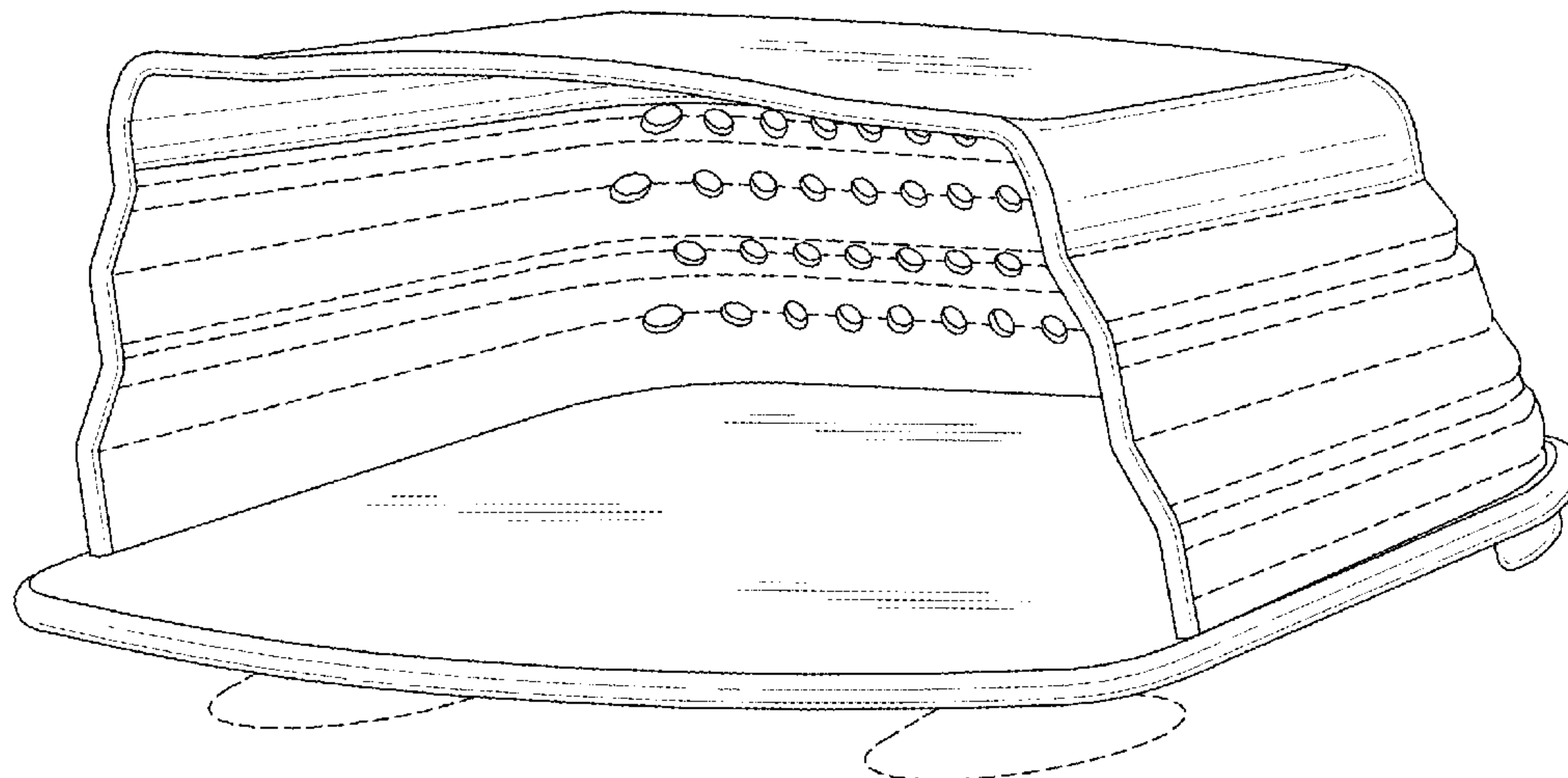
The broken lines in the drawings represent unclaimed fea-  
tures.

(56) **References Cited**

**U.S. PATENT DOCUMENTS**

D453,651 S	2/2002	Snell	
D512,255 S	* 12/2005	Snell	D6/567
D534,024 S	* 12/2006	Dretzka	D6/567
D566,361 S	* 4/2008	Snell	D6/567
D636,201 S	* 4/2011	Kolano et al.	D6/553
D637,850 S	5/2011	Ghiorghie	
D642,841 S	* 8/2011	Dretzka	D6/553

**1 Claim, 6 Drawing Sheets**



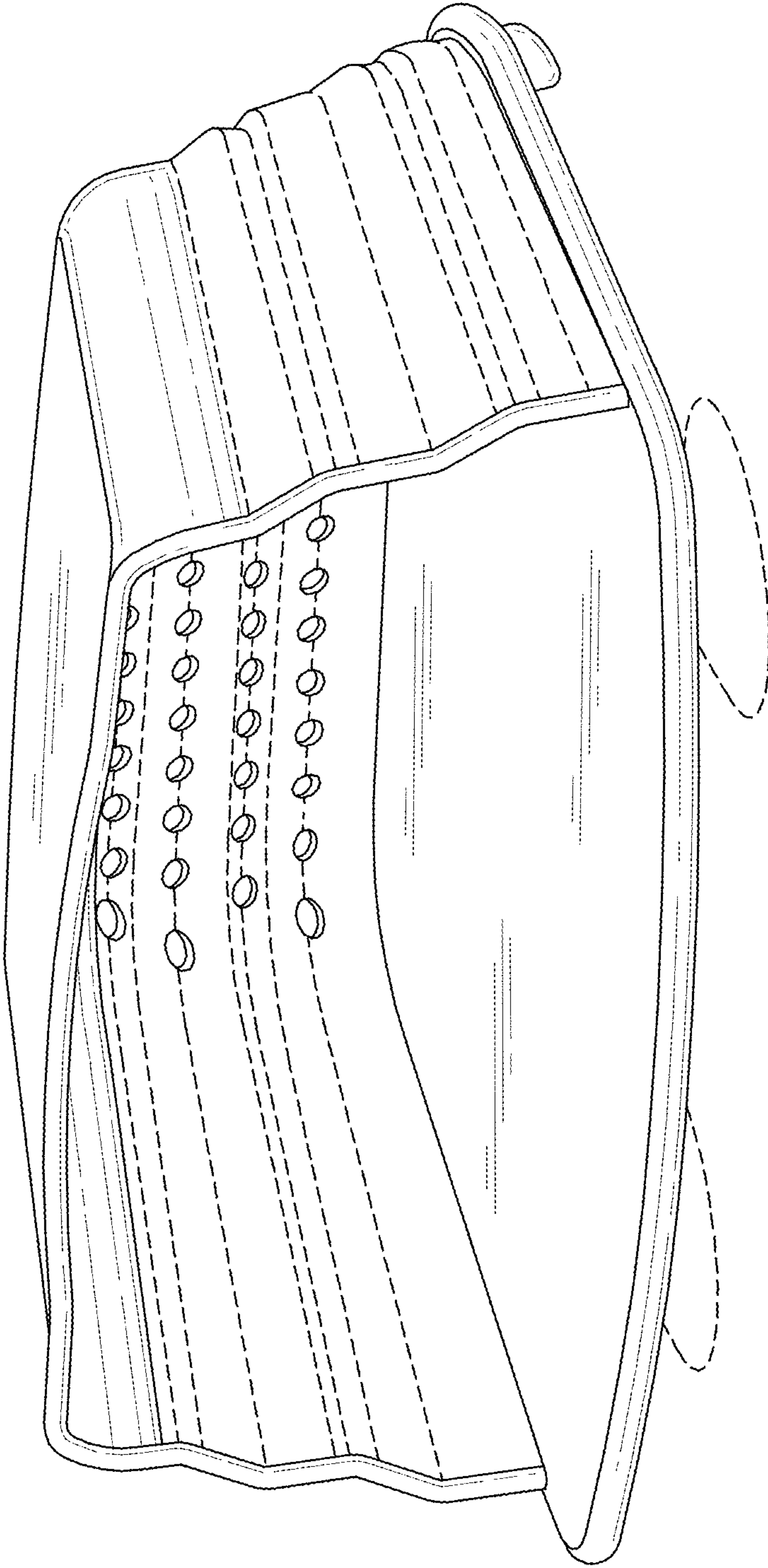
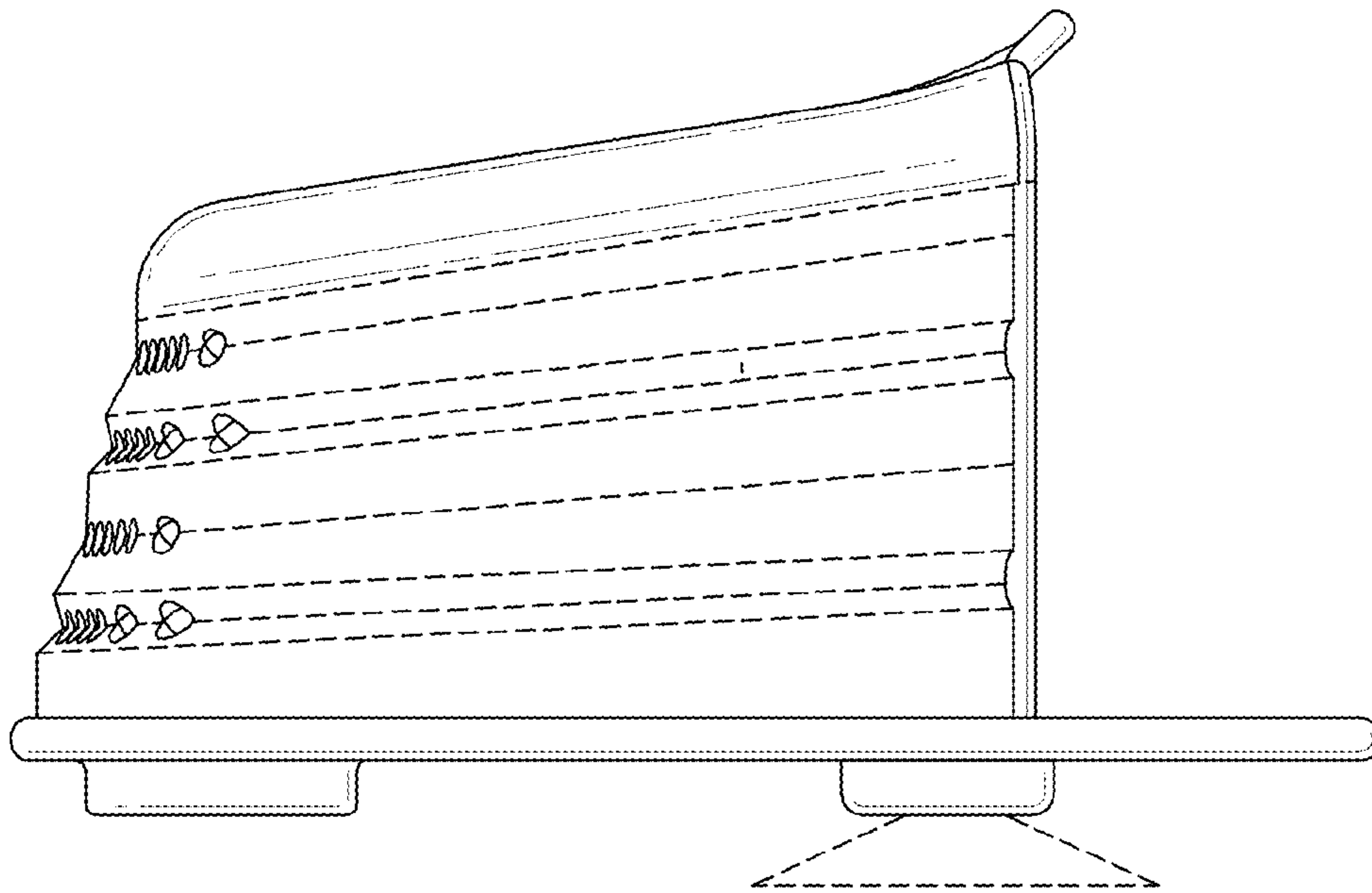
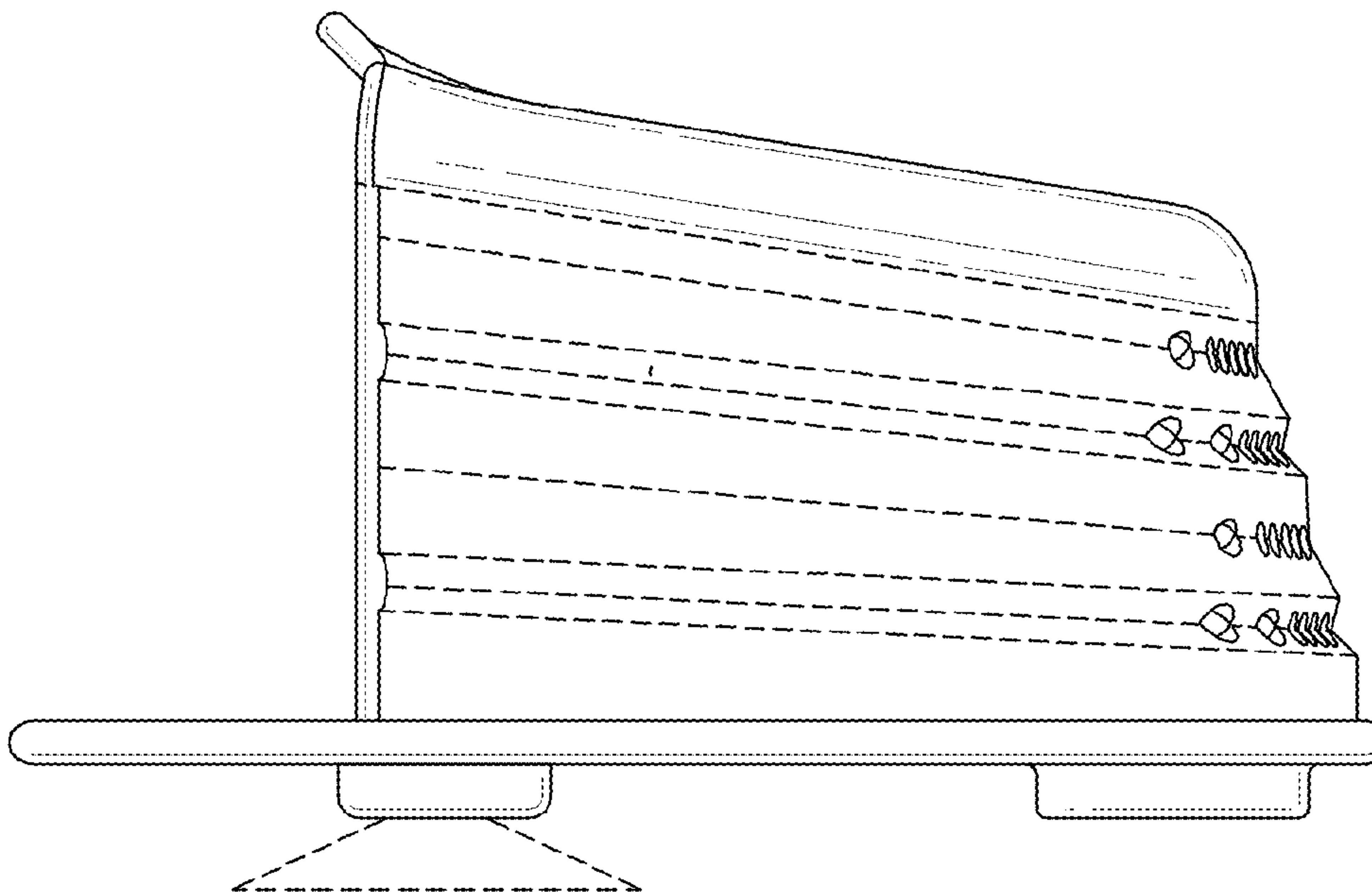


FIG. 1



*FIG. 2*



*FIG. 3*

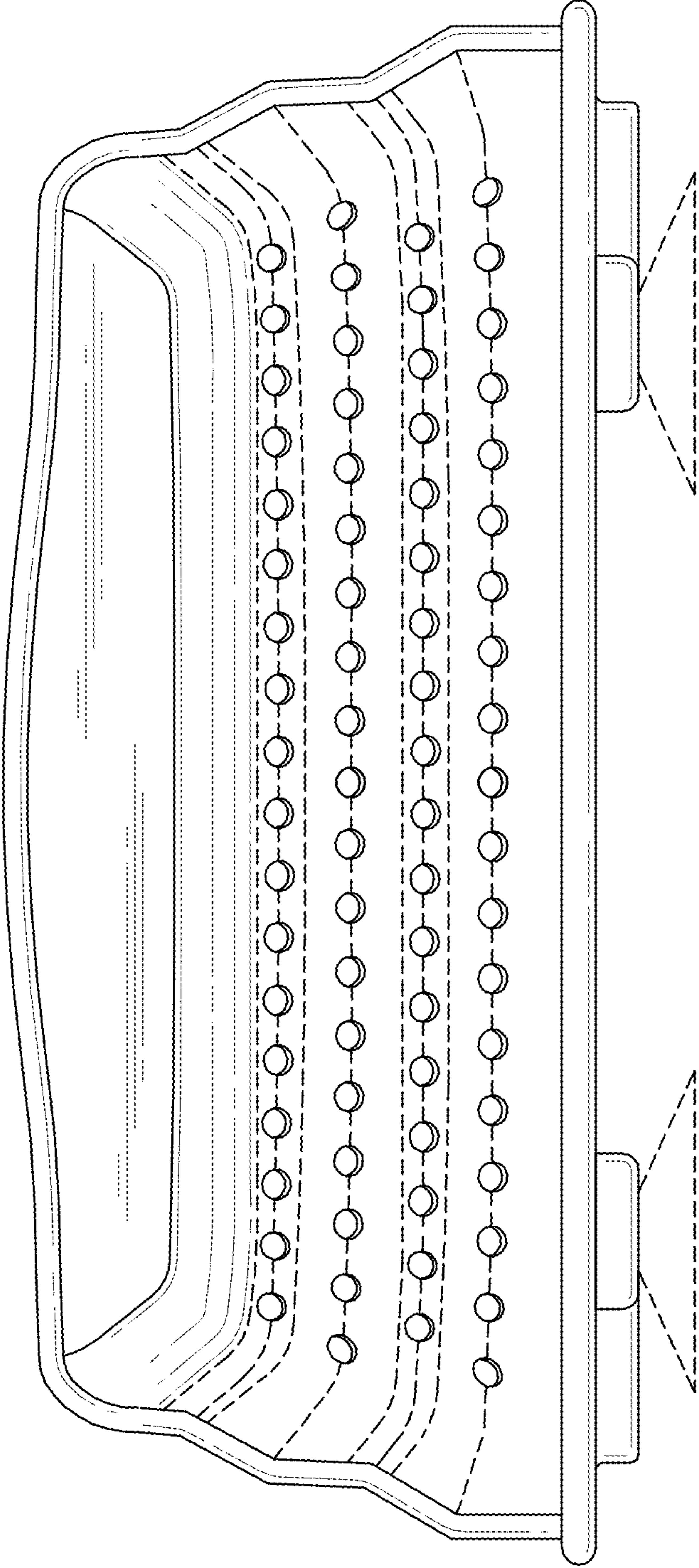


FIG. 4



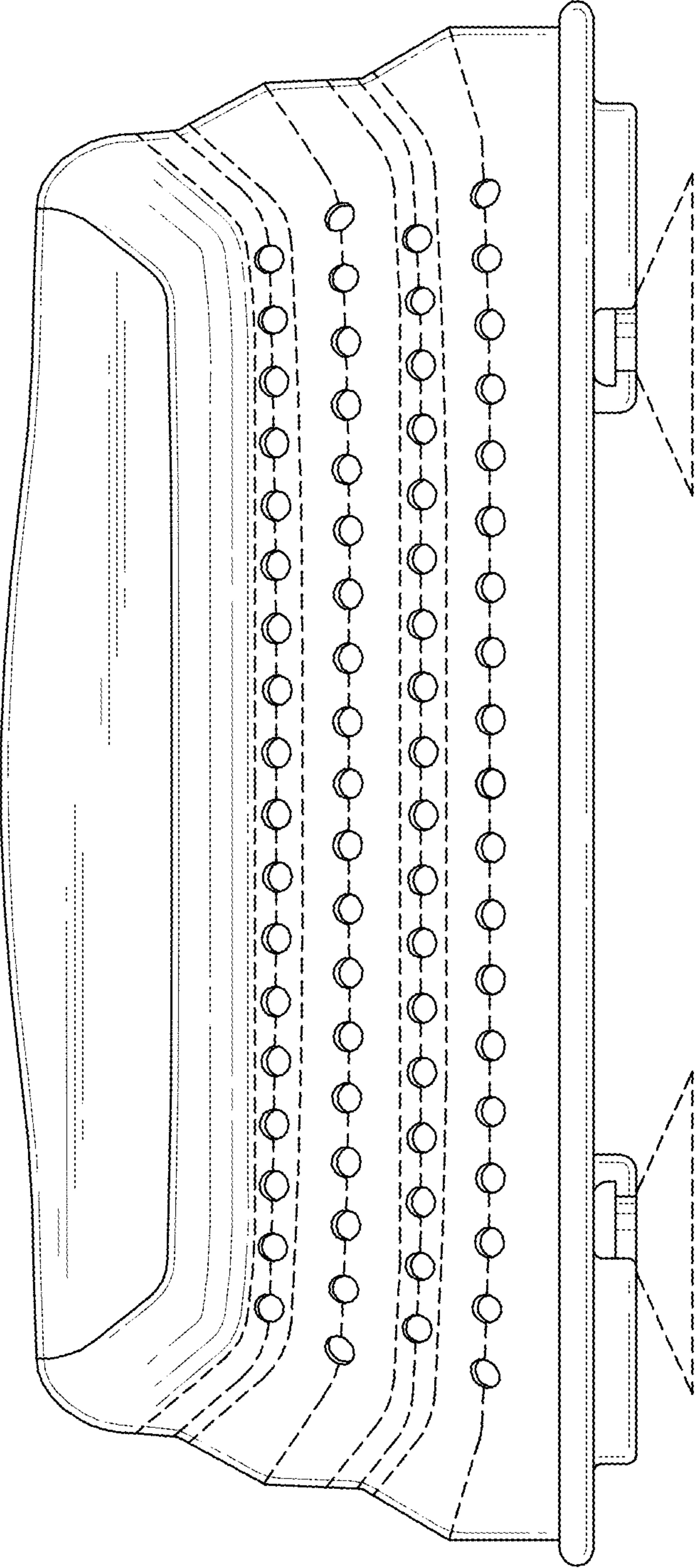


FIG. 5

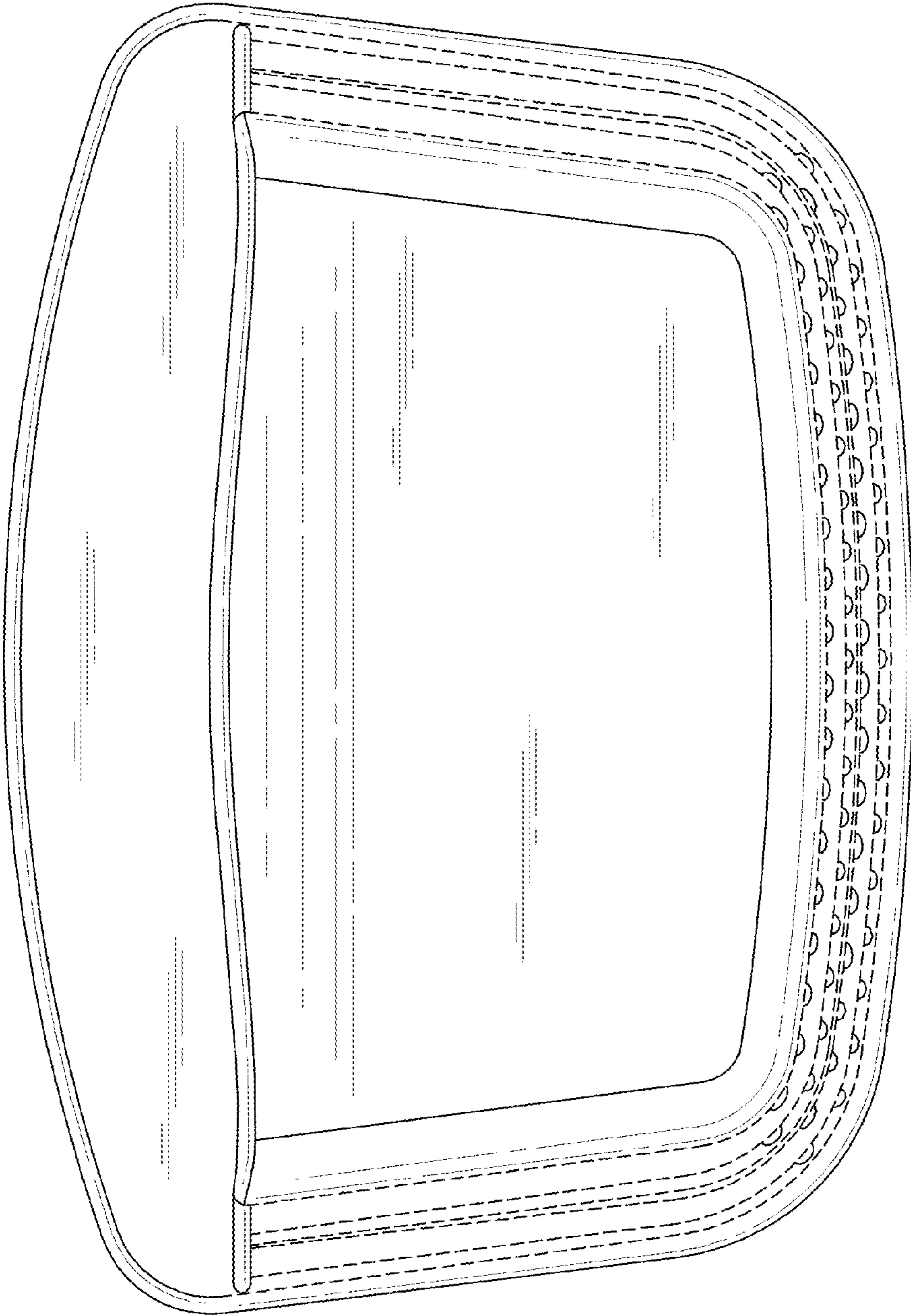


FIG. 6

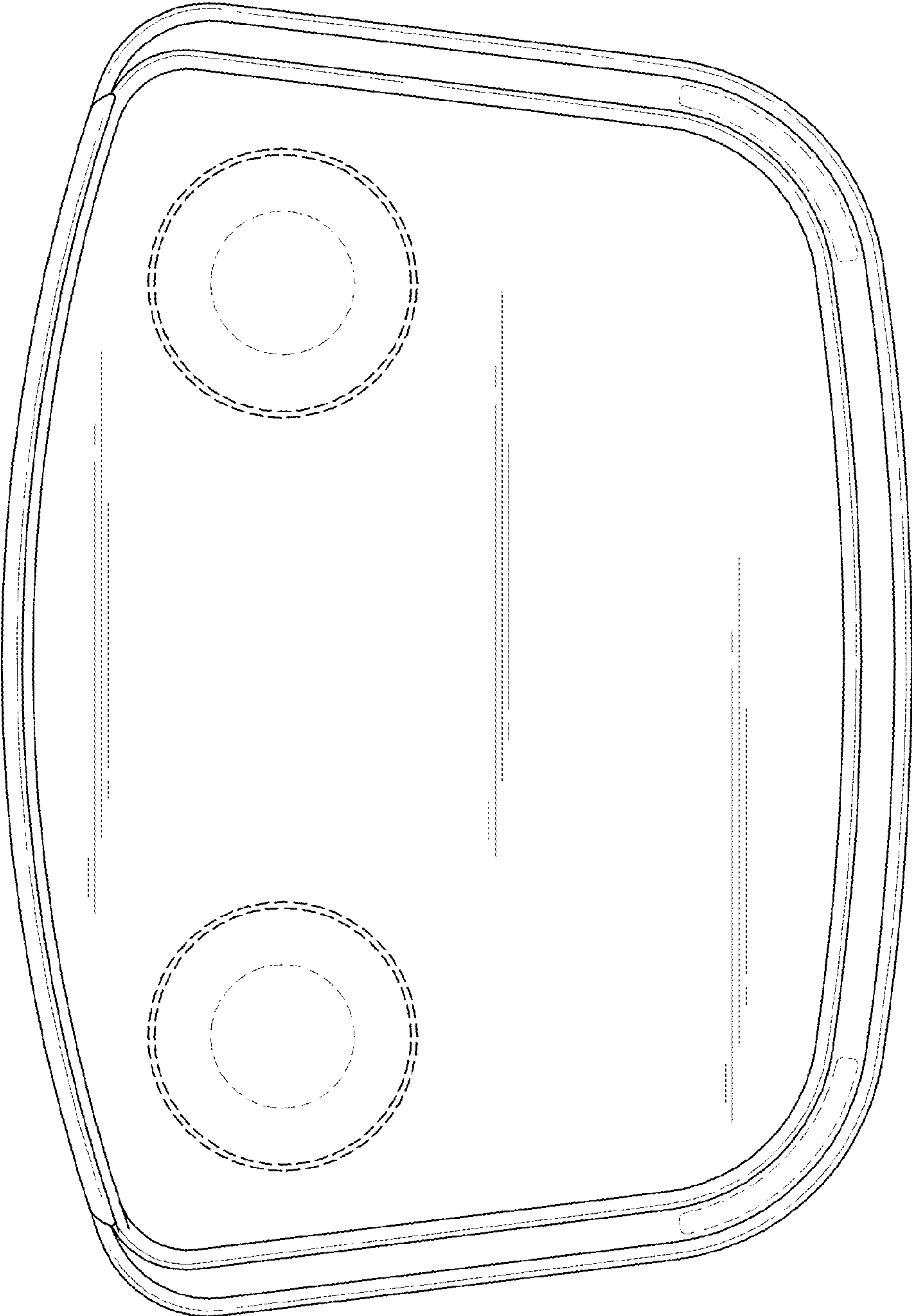


FIG. 7