

US00D699970S

(12) **United States Design Patent**
Sedwick

(10) **Patent No.:** **US D699,970 S**
(45) **Date of Patent:** **** Feb. 25, 2014**

- (54) **ACCESSORY POST**
- (71) Applicant: **Jennifer P. Sedwick**, Lakewood, OH (US)
- (72) Inventor: **Jennifer P. Sedwick**, Lakewood, OH (US)
- (73) Assignee: **Moen Incorporated**, North Olmsted, OH (US)
- (**) Term: **14 Years**
- (21) Appl. No.: **29/450,919**
- (22) Filed: **Mar. 26, 2013**
- (51) **LOC (10) Cl.** **23-02**
- (52) **U.S. Cl.**
USPC **D6/524; D6/550**
- (58) **Field of Classification Search**
USPC D6/518-524, 546-550; D8/300, 370, D8/315; 108/28-29; 211/13.1, 16, 85.5, 211/86.01, 87.01, 88.04, 100, 105.1, 105.2, 211/106, 113, 123, 181.1, 182-183; 248/49, 175, 176.1, 200, 201, 205.1, 248/251, 302, 309.1, 315; 242/570, 590, 242/595-598
See application file for complete search history.

D357,378 S	4/1995	Lehn et al.	
D373,179 S	8/1996	Sieger	
D442,073 S	5/2001	Lyndon	
D450,212 S	11/2001	Gottwald	
D450,503 S	11/2001	Gottwald	
D450,509 S	11/2001	Gottwald	
D450,566 S	11/2001	Gottwald	
D450,809 S	11/2001	Gottwald	
D450,811 S	11/2001	Gottwald	
D461,540 S	8/2002	Gottwald	
D462,421 S	9/2002	Hundley	
D463,935 S	10/2002	Zhao	
D463,938 S	* 10/2002	Lee Wang D6/550
D466,200 S	11/2002	Sieger	
D466,351 S	12/2002	Tai	
D466,982 S	12/2002	Gerlach	
D467,307 S	12/2002	Sieger	

(Continued)

Primary Examiner — Brian N Vinson
(74) *Attorney, Agent, or Firm* — Calfee, Halter & Griswold LLP

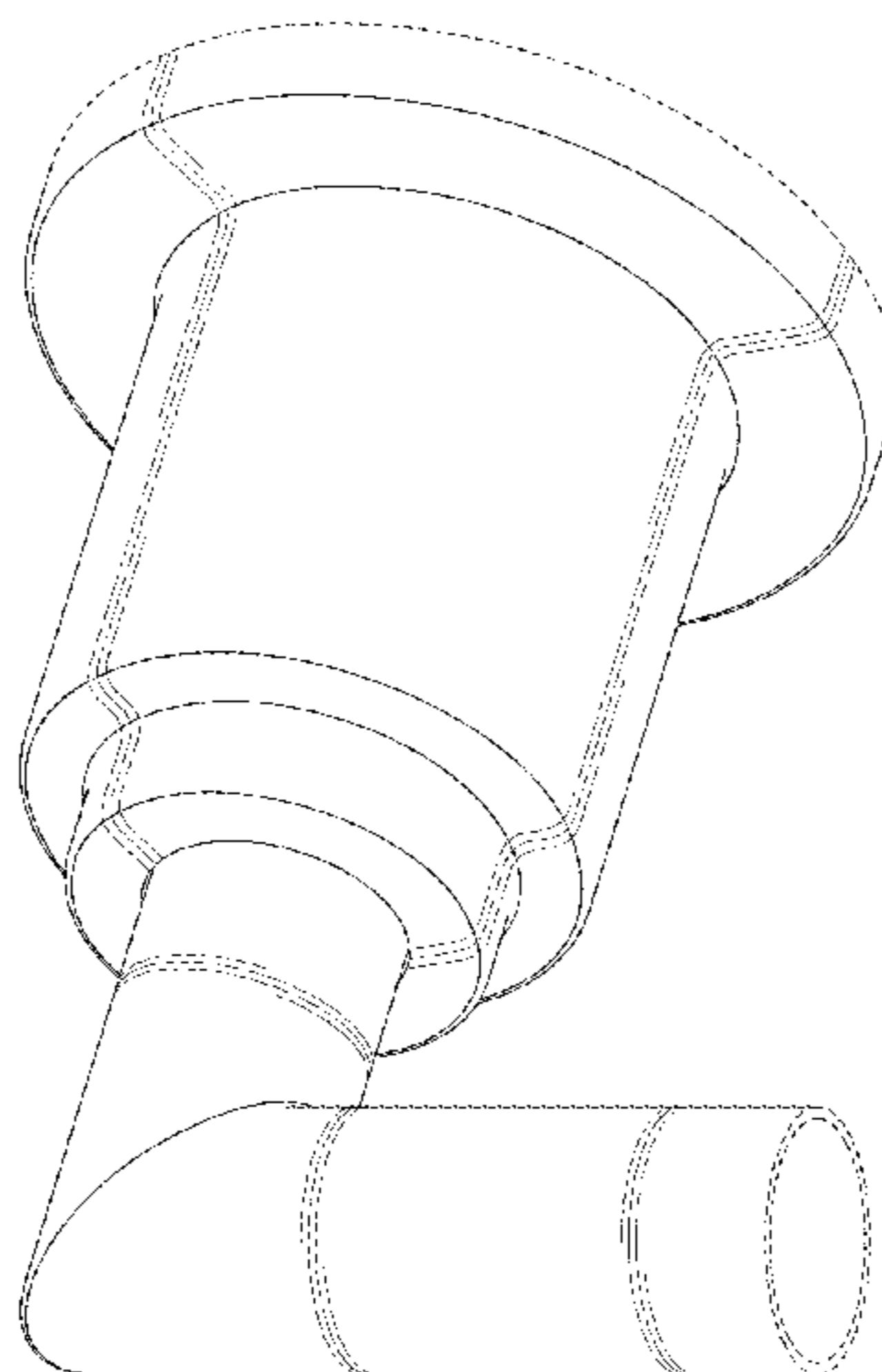
(57) **CLAIM**
The ornamental design for an accessory post, as shown and described.

DESCRIPTION

FIG. 1 is a perspective view of an accessory post of the new design;
FIG. 2 is a front elevational view of the accessory post of FIG. 1;
FIG. 3 is a rear elevational view of the accessory post of FIG. 1;
FIG. 4 is a left side elevational view of the accessory post of FIG. 1;
FIG. 5 is a right side elevational view of the accessory post of FIG. 1; and,
FIG. 6 is a top plan view of the accessory post of FIG. 1, the bottom plan view being a mirror image thereof.
The portions of the Figures shown in broken lines are not part of the claimed design and are for illustration only.

1 Claim, 4 Drawing Sheets

- (56) **References Cited**
U.S. PATENT DOCUMENTS
- D271,514 S 11/1983 Paul
- D297,662 S 9/1988 Jans
- D299,160 S 12/1988 Lathrop
- D299,854 S 2/1989 Paul
- 5,026,013 A 6/1991 Robbins
- D318,904 S 8/1991 Hartkopf
- D320,434 S 10/1991 Rawald
- D322,839 S 12/1991 Kohler, Jr.
- D322,841 S 12/1991 Kohler, Jr. et al.
- D329,188 S 9/1992 Paul
- D350,183 S 8/1994 Joerger



(56)

References Cited

U.S. PATENT DOCUMENTS

D483,440 S	12/2003	Smith	
D498,629 S	11/2004	Fuchs	
D503,061 S	3/2005	Fuchs	
D504,309 S	4/2005	Fuchs	
D518,670 S	4/2006	Cheng et al.	
D519,606 S	4/2006	Lin	
D522,786 S *	6/2006	Chu et al.	D6/550
D528,335 S	9/2006	Fuchs	
D531,278 S	10/2006	Tsai	
D533,384 S *	12/2006	Gilbert	D6/550
D533,634 S	12/2006	Lord et al.	
D535,725 S	1/2007	Chu et al.	
D557,049 S *	12/2007	Sedwick et al.	D6/524
D564,073 S	3/2008	Shieh	
D570,960 S	6/2008	Semchuck et al.	
D579,086 S	10/2008	Schönherr et al.	
D580,522 S	11/2008	Zhang	
D581,025 S	11/2008	Schönherr et al.	
D585,525 S	1/2009	Ko	
D594,095 S	6/2009	Schönherr et al.	
D598,981 S	8/2009	Zetsche et al.	
D600,479 S *	9/2009	Gao	D6/524
D602,570 S	10/2009	Lammel et al.	
D609,515 S *	2/2010	Krumpe	D6/550
D616,682 S *	6/2010	Gilbert	D6/524
D624,991 S	10/2010	Kulig	
D633,738 S *	3/2011	Bauer et al.	D6/524
D655,546 S *	3/2012	Gilbert	D6/524
D658,271 S	4/2012	Schaefer	
D661,532 S *	6/2012	Chen	D6/550
D668,490 S *	10/2012	Yoo	D6/524

* cited by examiner

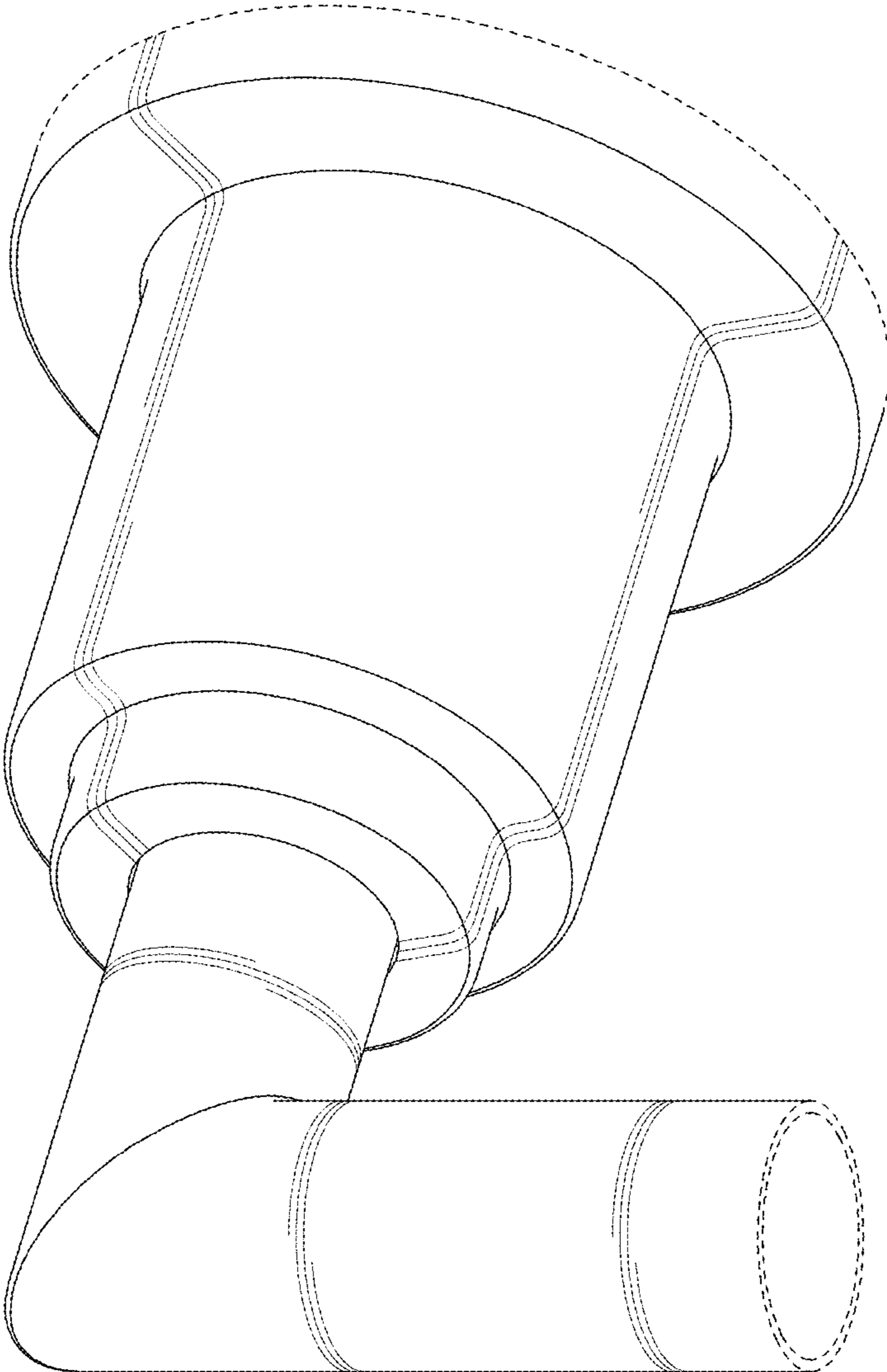


FIG. 1

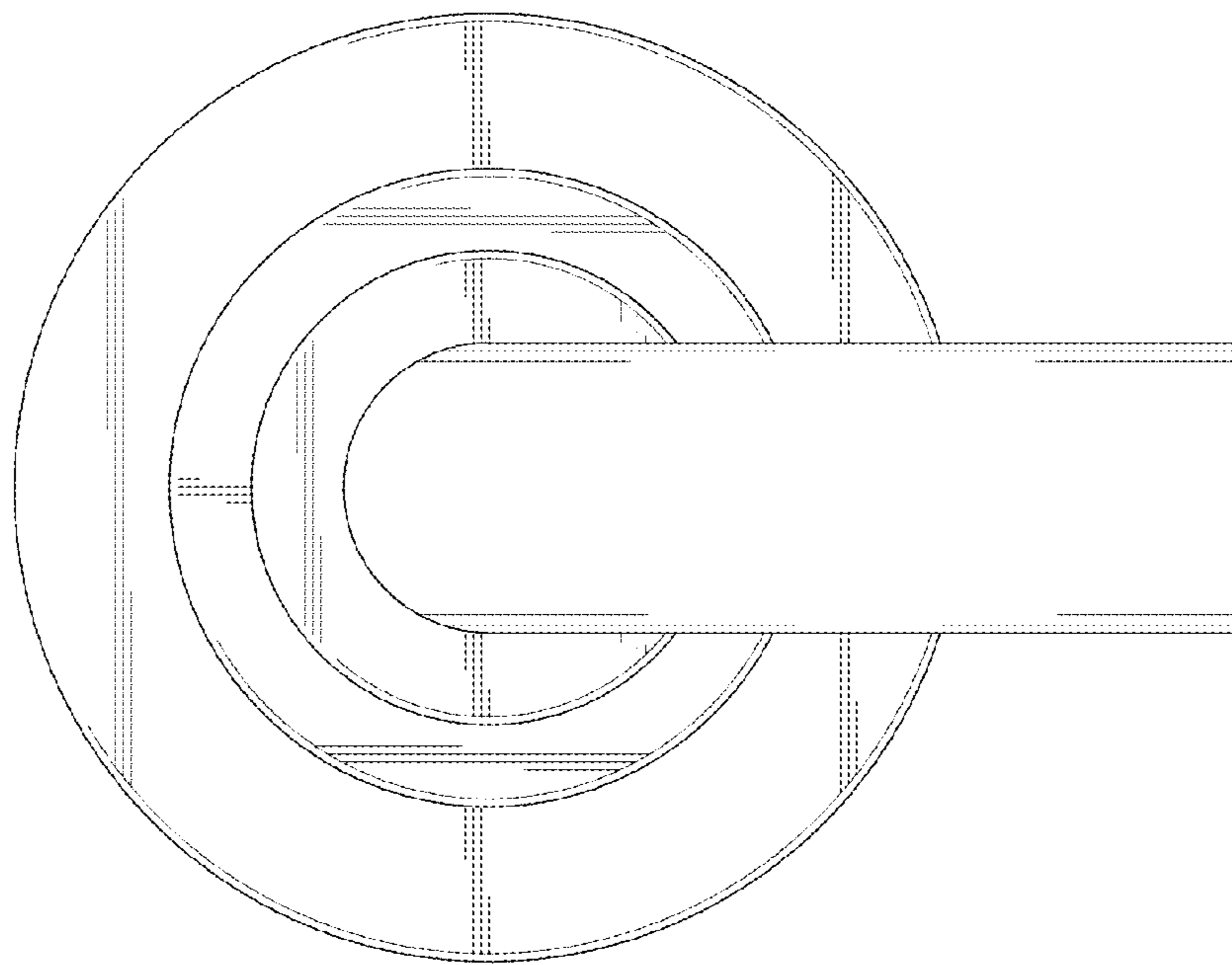


FIG. 2

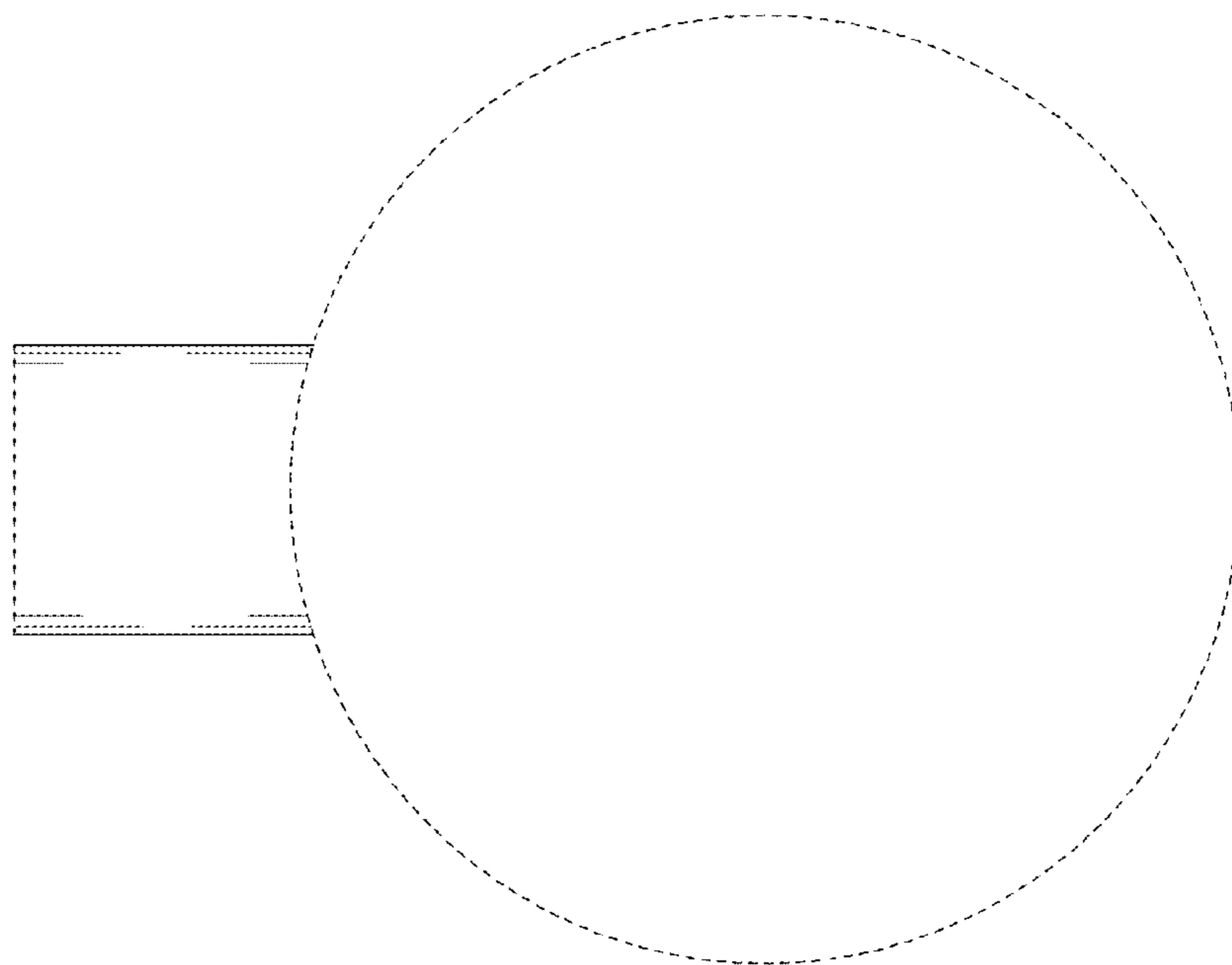


FIG. 3

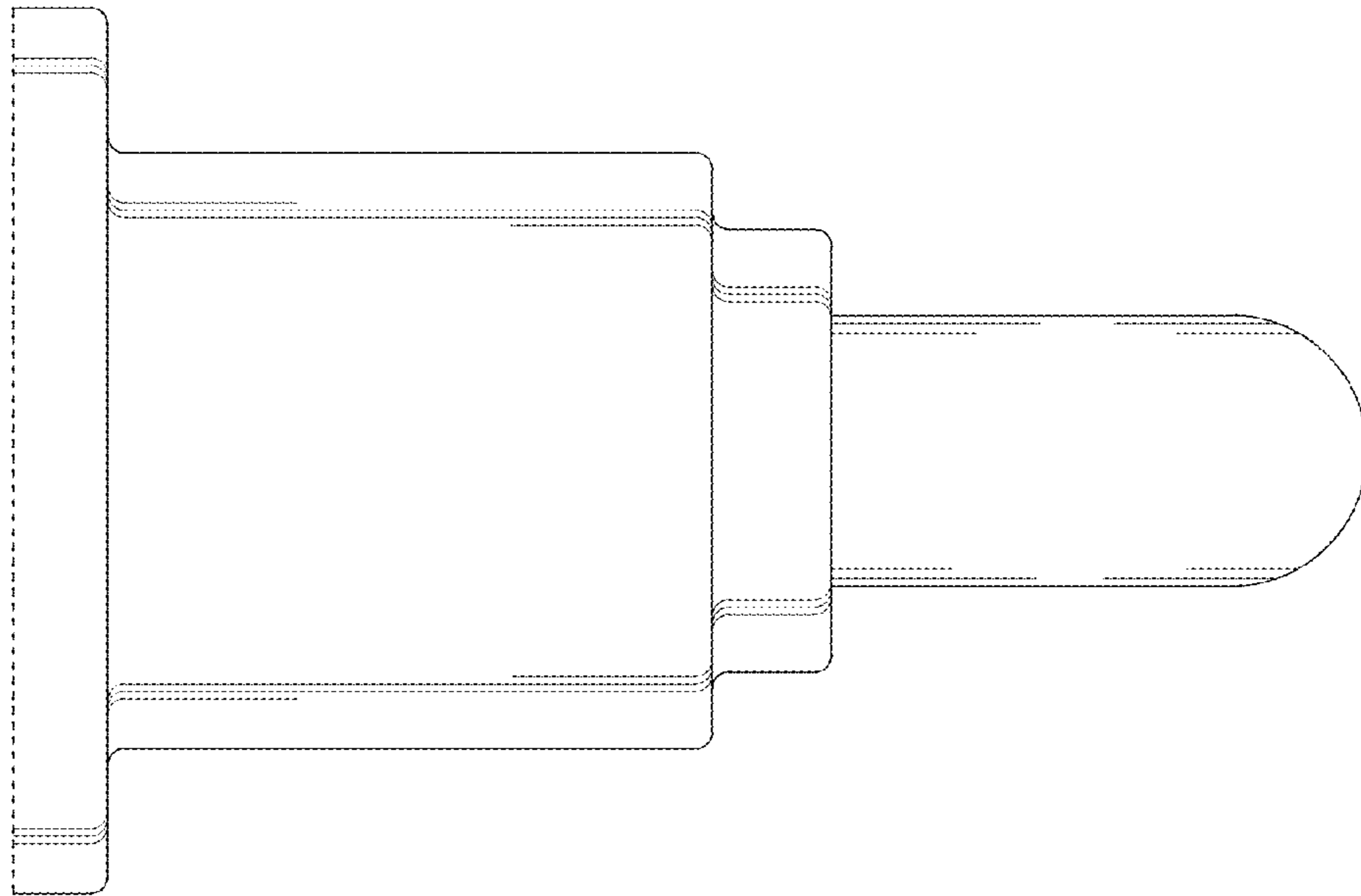


FIG. 4

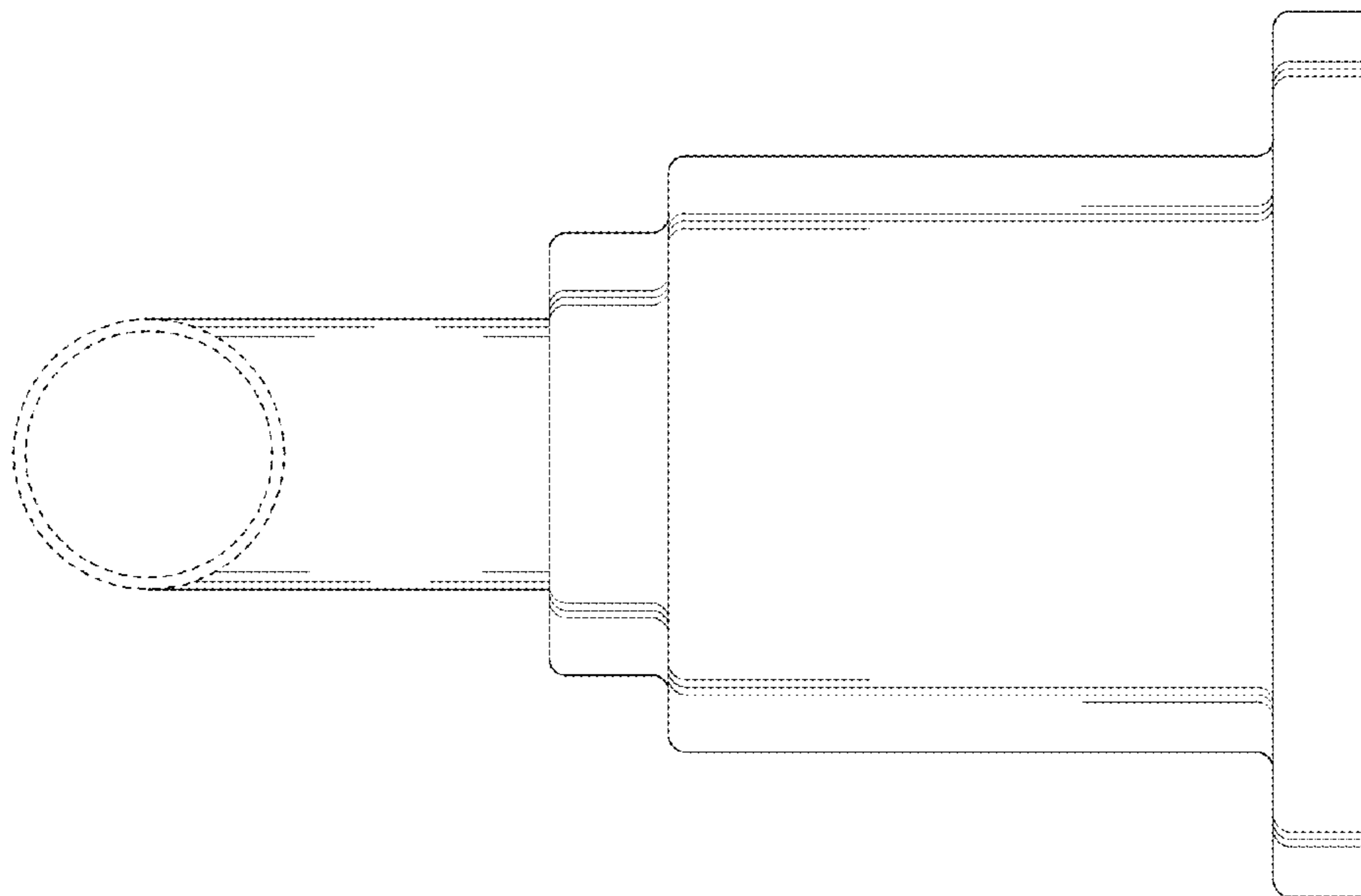


FIG. 5

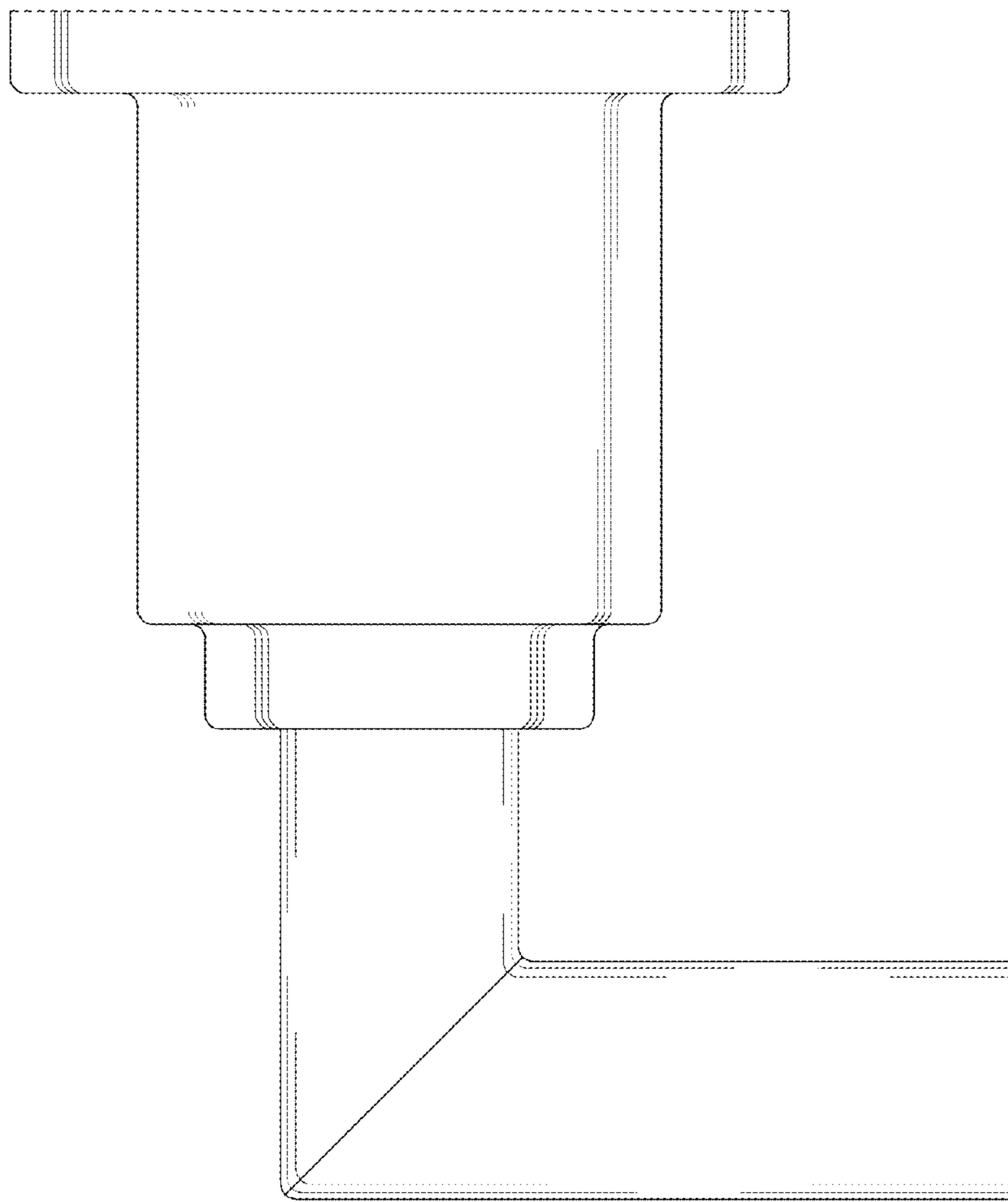


FIG. 6