

US00D699969S

(12) **United States Design Patent**
Cahill

(10) **Patent No.:** **US D699,969 S**

(45) **Date of Patent:** **** Feb. 25, 2014**

- (54) **ACCESSORY POST**
- (71) Applicant: **Sam Cahill**, Chesterland, OH (US)
- (72) Inventor: **Sam Cahill**, Chesterland, OH (US)
- (73) Assignee: **Moen Incorporated**, North Olmsted, OH (US)
- (**) Term: **14 Years**
- (21) Appl. No.: **29/449,450**
- (22) Filed: **Mar. 15, 2013**
- (51) **LOC (10) Cl.** **23-02**
- (52) **U.S. Cl.**
USPC **D6/524; D6/550**
- (58) **Field of Classification Search**
USPC D6/518–524, 546–550; D8/300, 370, D8/315; 108/28–29; 211/13.1, 16, 85.5, 211/86.01, 87.01, 88.04, 100, 105.1, 105.2, 211/106, 113, 123, 181.1, 182–183; 248/49, 175, 176.1, 200, 201, 205.1, 248/251, 302, 309.1, 315; 242/570, 590, 242/595–598

See application file for complete search history.

(56) **References Cited**

U.S. PATENT DOCUMENTS

D41,956 S	12/1911	Nelson
2,542,941 A	2/1951	Post
D285,597 S	9/1986	Miller et al.
D348,509 S	7/1994	Bollenbacher
D382,045 S	8/1997	Hundley et al.
D385,735 S	11/1997	Hundley et al.
D385,952 S	11/1997	Hundley et al.
D385,953 S	11/1997	Hundley et al.
D392,139 S	3/1998	Wu
D398,376 S	9/1998	Hundley et al.
D398,377 S	9/1998	Hundley et al.
D400,381 S	11/1998	Solowiej et al.
D400,651 S	11/1998	Hundley et al.

D407,466 S	3/1999	Hundley et al.
D452,100 S	12/2001	Gilbert
D463,937 S	* 10/2002	Lee Wang D6/550
D465,559 S	11/2002	Chen
D466,346 S	12/2002	Moore
D466,703 S	12/2002	Chou
D474,932 S	5/2003	Lai
D474,957 S	5/2003	Singtoroj et al.
D475,438 S	6/2003	Tolosa
D475,767 S	6/2003	Yegyayan et al.
D482,757 S	11/2003	Blomstrom
D483,093 S	12/2003	Bates et al.
D494,396 S	8/2004	Veltz et al.
D498,625 S	11/2004	Chang
D501,346 S	2/2005	Gilbert
D512,860 S	12/2005	Ferrer Beltran
D516,354 S	3/2006	Sedwick
D516,355 S	3/2006	Sedwick

(Continued)

Primary Examiner — Brian N Vinson

(74) *Attorney, Agent, or Firm* — Calfee, Halter & Griswold LLP

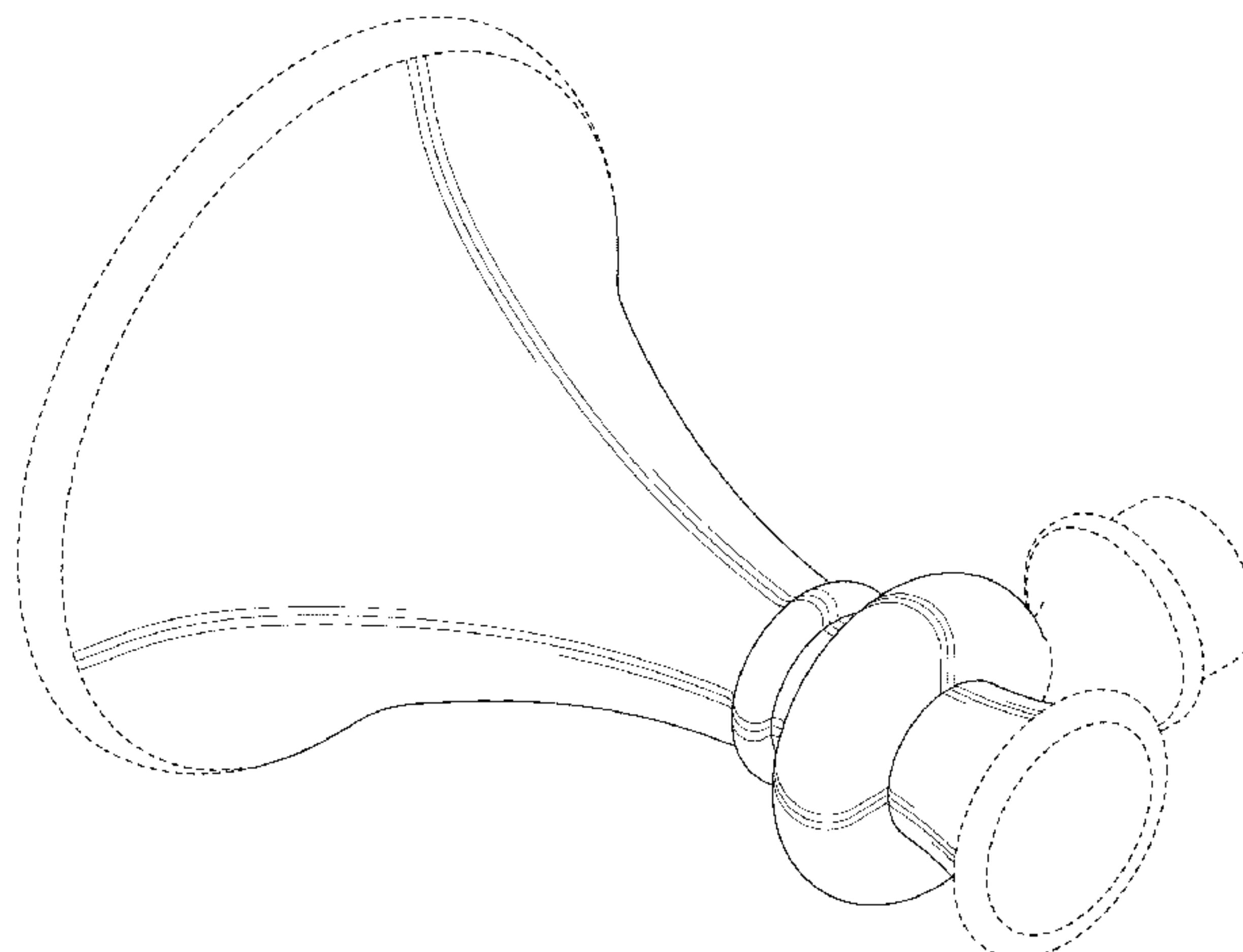
(57) **CLAIM**

The ornamental design for an accessory post, as shown and described.

DESCRIPTION

FIG. 1 is a perspective view of an accessory post of the new design;
 FIG. 2 is a front elevational view of the accessory post of FIG. 1;
 FIG. 3 is a left side elevational view of the accessory post of FIG. 1;
 FIG. 4 is a right side elevational view of the accessory post of FIG. 1; and,
 FIG. 5 is a top plan view of the accessory post of FIG. 1, the bottom plan view being a mirror image thereof.
 The portions of the Figures shown in broken lines are not part of the claimed design and are for illustration only.

1 Claim, 3 Drawing Sheets



(56)

References Cited

U.S. PATENT DOCUMENTS

D516,852 S 3/2006 Berberet
D517,358 S 3/2006 Berberet
D517,359 S 3/2006 Berberet
D520,789 S 5/2006 Zhu et al.
D520,790 S 5/2006 Chen
D521,295 S 5/2006 Gilbert
D524,415 S 7/2006 Perrin
D531,703 S 11/2006 Tsai
D544,263 S 6/2007 Kakihana
D546,606 S 7/2007 Berberet

D557,049 S 12/2007 Sedwick et al.
D569,146 S * 5/2008 Gilbert D6/524
D570,678 S 6/2008 Zhang
D573,385 S 7/2008 Guo et al.
D579,527 S 10/2008 Williams
D582,522 S 12/2008 Hanna
D604,542 S 11/2009 Kuo
D624,160 S 9/2010 Wang
D635,230 S 3/2011 Barry
D637,700 S 5/2011 Antonello
D655,547 S * 3/2012 Domanski D6/524
D655,961 S 3/2012 Kemp
D666,039 S * 8/2012 Sedwick D6/524

* cited by examiner

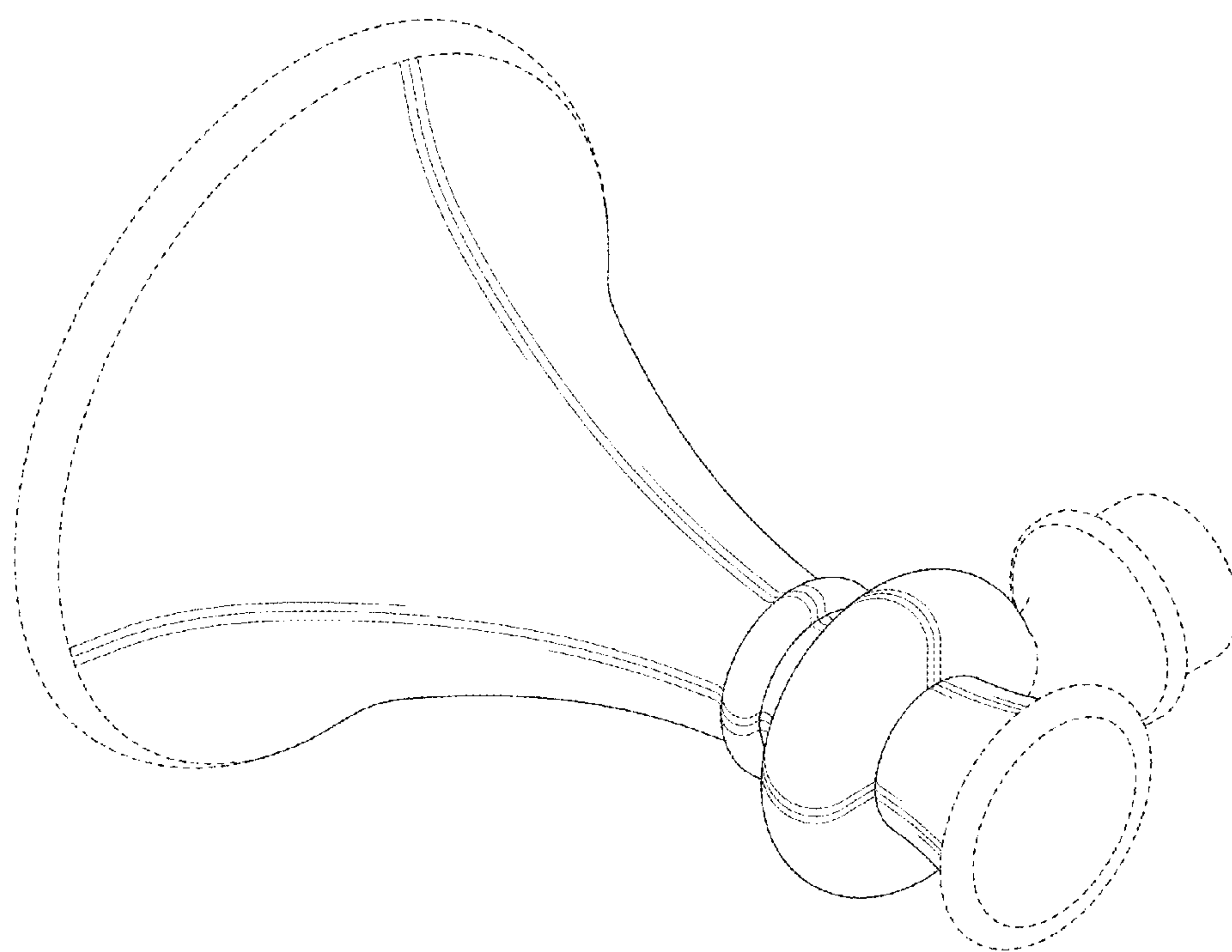


FIG. 1

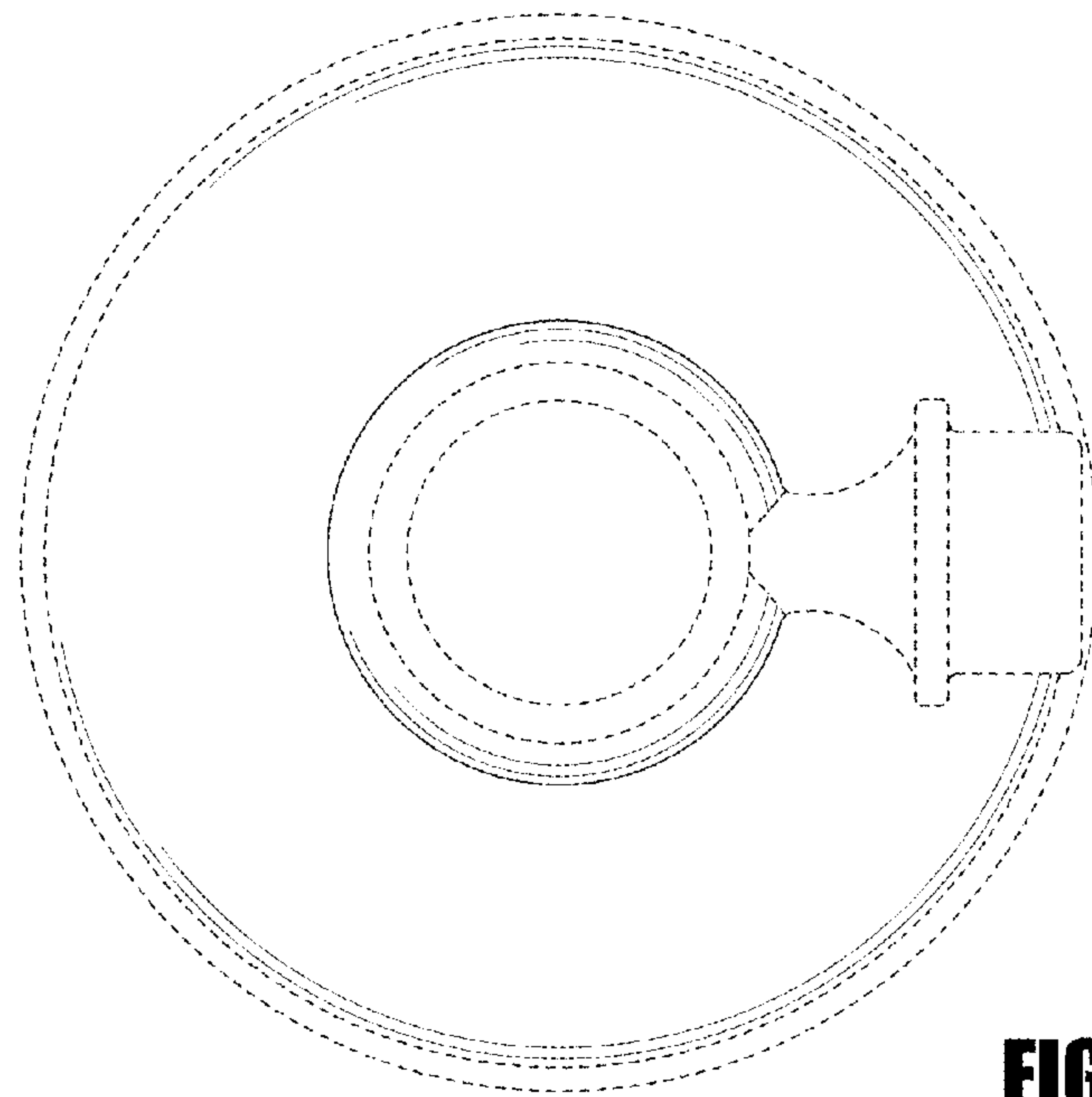


FIG. 2

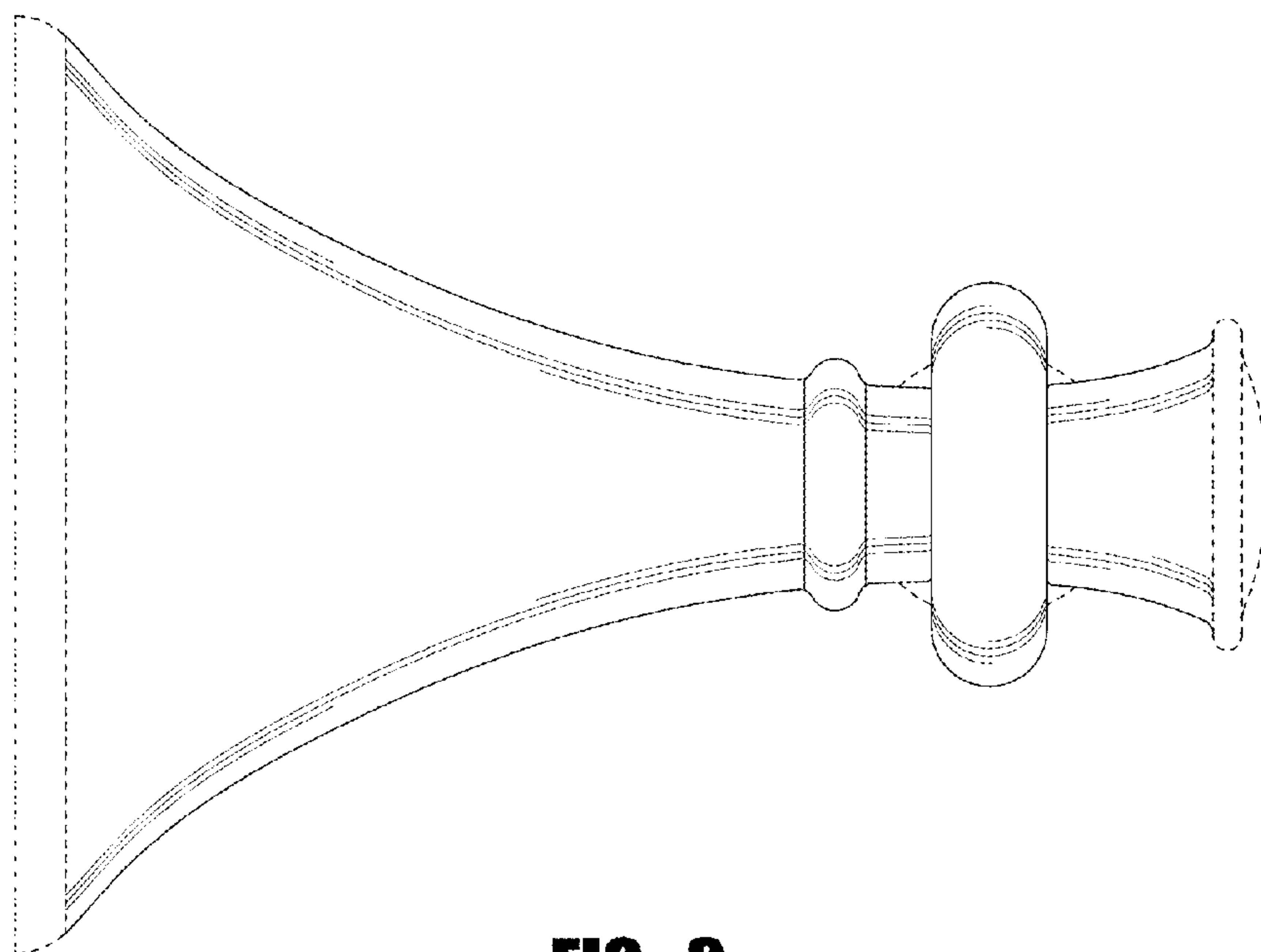


FIG. 3

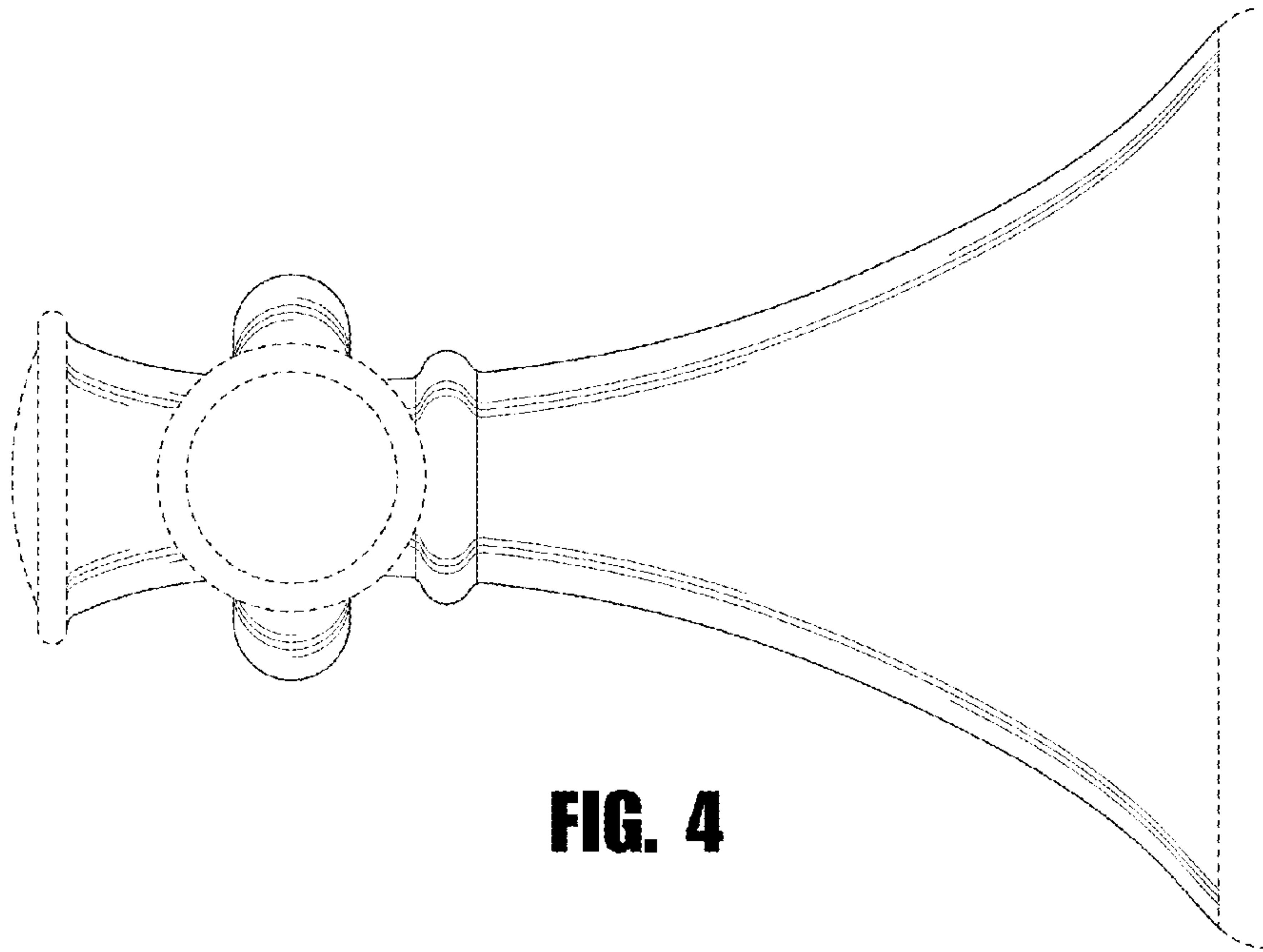


FIG. 4

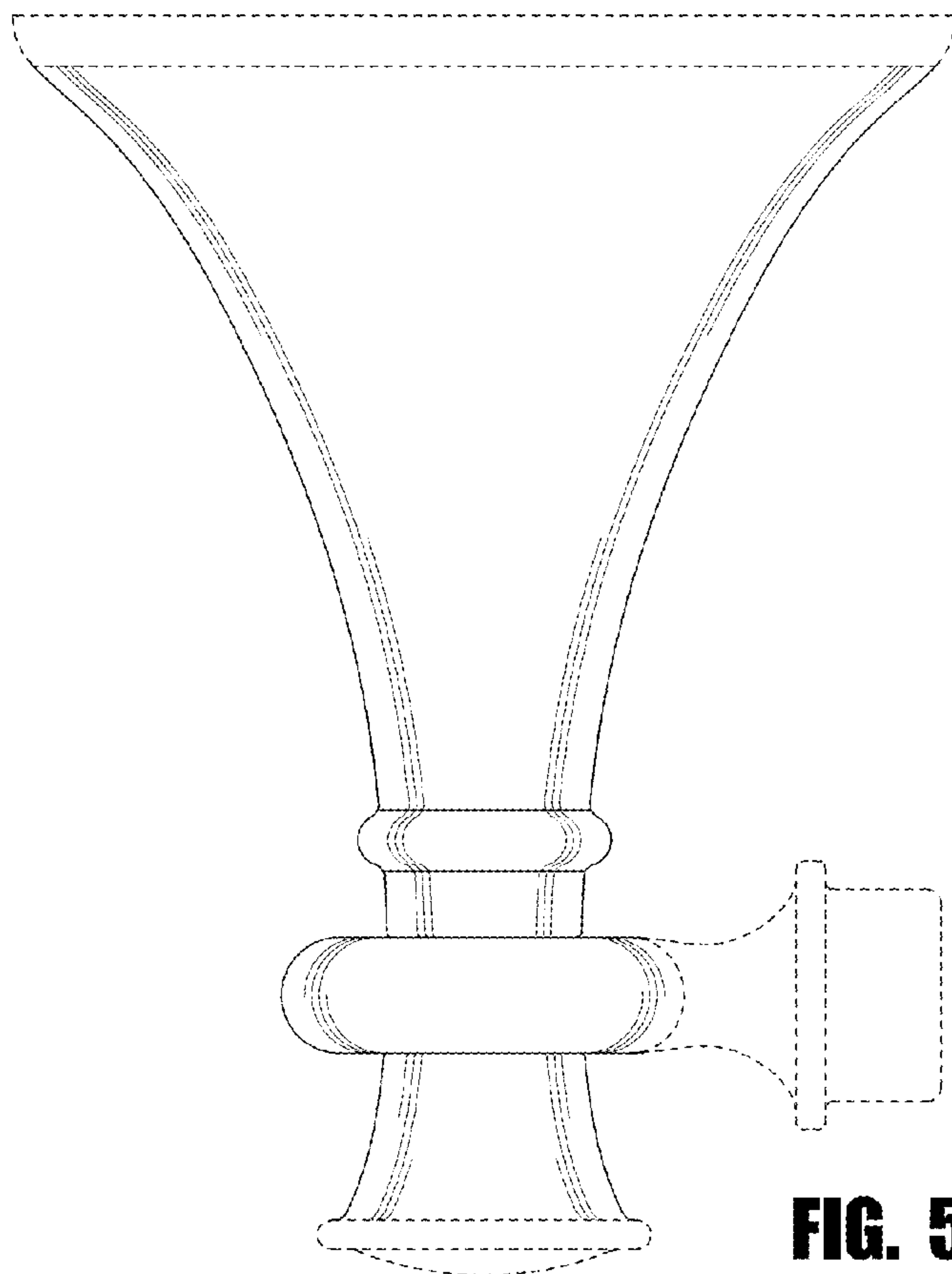


FIG. 5