

US00D699968S

(12) **United States Design Patent**  
**Cahill**

(10) **Patent No.:** **US D699,968 S**  
(45) **Date of Patent:** **\*\* Feb. 25, 2014**

- (54) **ACCESSORY POST**
- (71) Applicant: **Sam Cahill**, Chesterland, OH (US)
- (72) Inventor: **Sam Cahill**, Chesterland, OH (US)
- (73) Assignee: **Moen Incorporated**, North Olmsted, OH (US)
- (\*\*) Term: **14 Years**
- (21) Appl. No.: **29/449,448**
- (22) Filed: **Mar. 15, 2013**
- (51) **LOC (10) Cl.** ..... **23-02**
- (52) **U.S. Cl.**  
USPC ..... **D6/524; D6/550**
- (58) **Field of Classification Search**  
USPC ..... D6/518–524, 546–550; D8/300, 370,  
D8/315; 108/28–29; 211/13.1, 16, 85.5,  
211/86.01, 87.01, 88.04, 100, 105.1, 105.2,  
211/106, 113, 123, 181.1, 182–183;  
248/49, 175, 176.1, 200, 201, 205.1,  
248/251, 302, 309.1, 315; 242/570, 590,  
242/595–598  
See application file for complete search history.

D516,354 S	3/2006	Sedwick	
D520,791 S	5/2006	Solowiej	
D520,793 S	5/2006	Gilbert	
D540,595 S	4/2007	Solowiej	
D544,266 S	6/2007	Wu	
D561,508 S *	2/2008	Guo .....	D6/524
D568,080 S	5/2008	Bickler et al.	
D575,565 S	8/2008	Gilbert	
D591,542 S	5/2009	Chen	
D604,075 S	11/2009	Chen	
D616,682 S *	6/2010	Gilbert .....	D6/524
D619,222 S	7/2010	Smith et al.	
D655,547 S	3/2012	Domanski	
D655,961 S	3/2012	Kemp	
D656,349 S *	3/2012	Sedwick .....	D6/524
D668,486 S	10/2012	Krumpe	
D668,487 S	10/2012	Krumpe	
D668,489 S	10/2012	Callif	
D668,490 S *	10/2012	Yoo .....	D6/524

\* cited by examiner

*Primary Examiner* — Brian N Vinson  
(74) *Attorney, Agent, or Firm* — Calfee, Halter & Griswold LLP

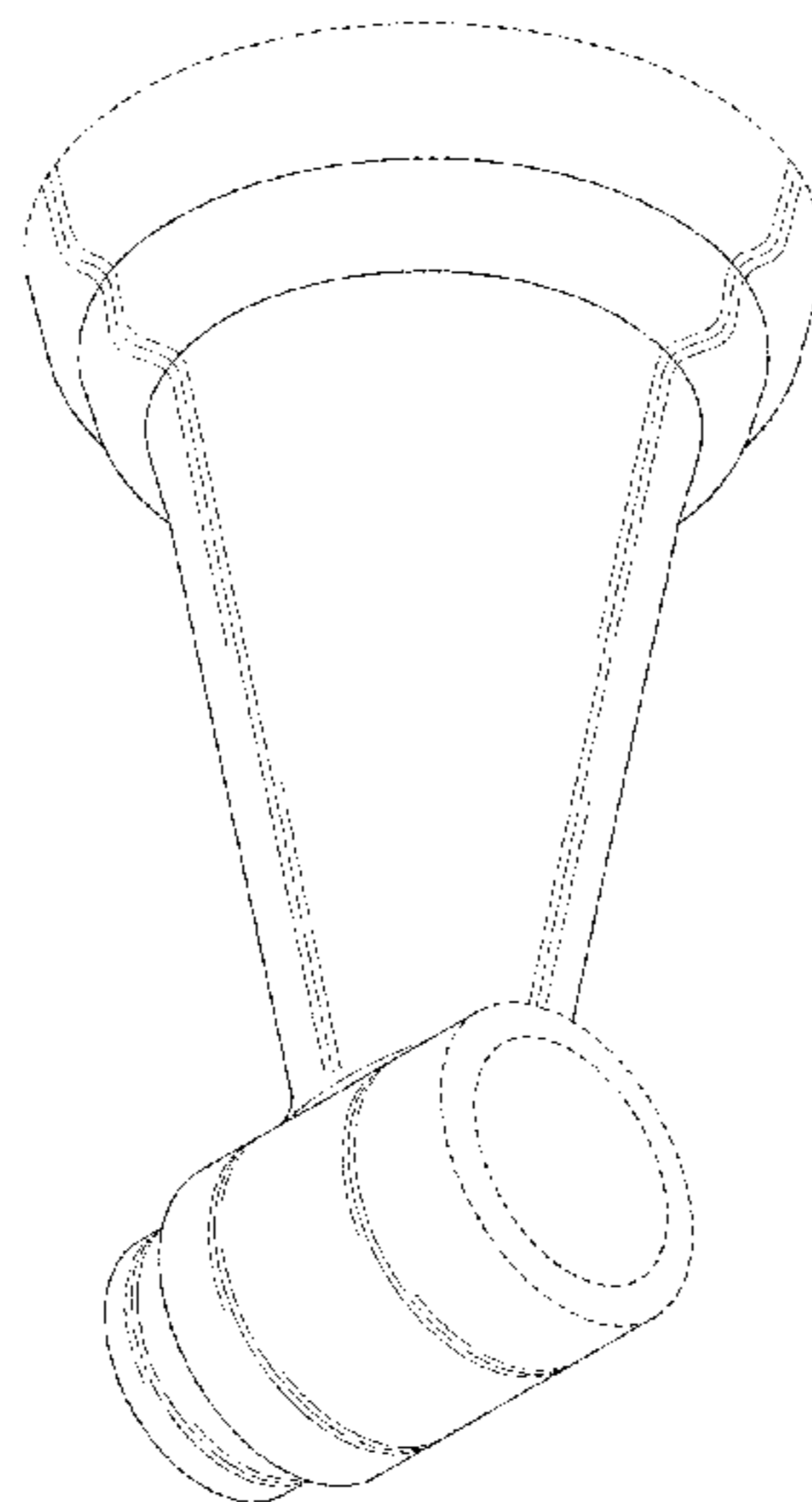
(57) **CLAIM**  
The ornamental design for an accessory post, as shown and described.

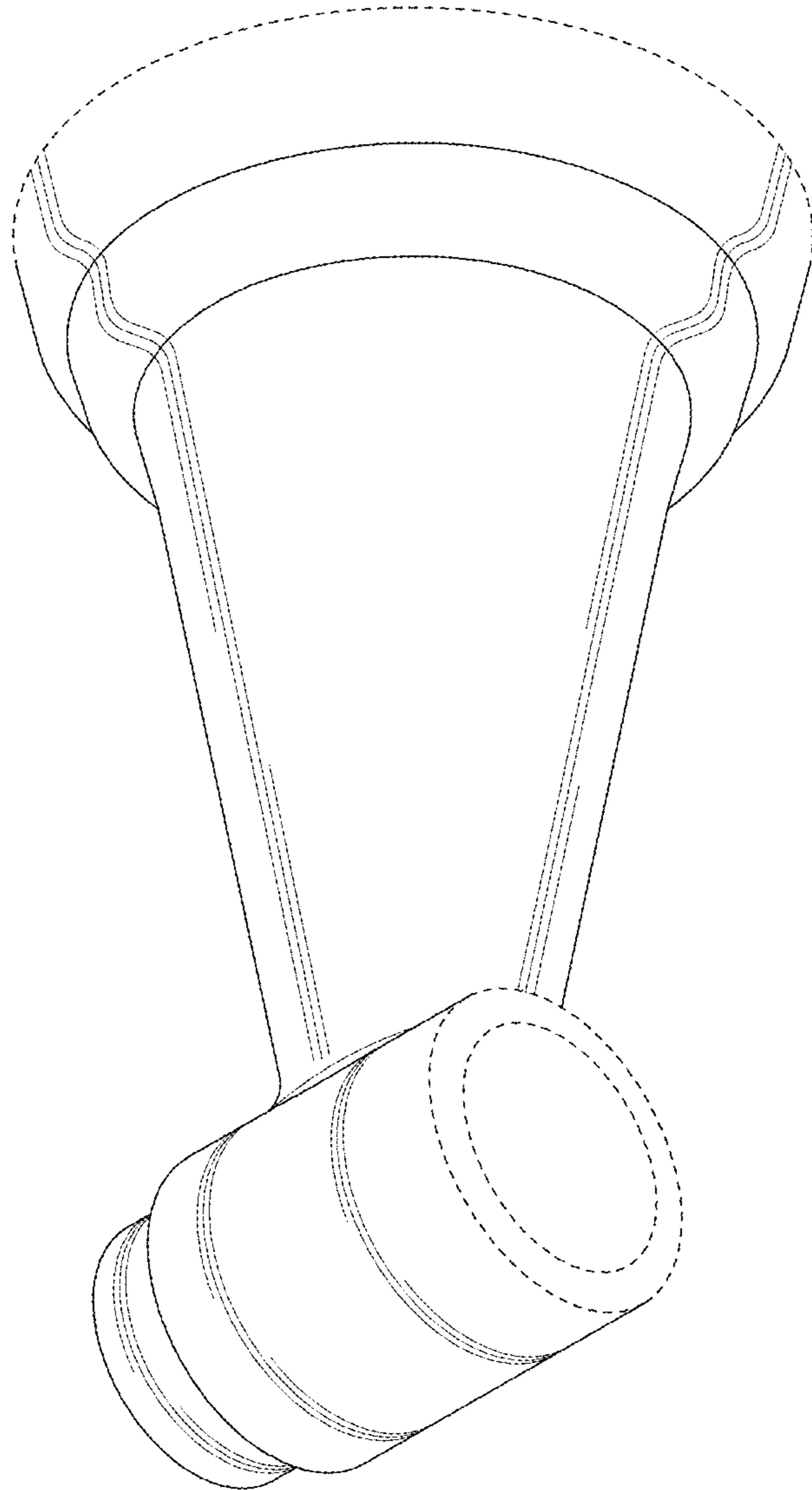
**DESCRIPTION**

FIG. 1 is a perspective view of an accessory post of the new design;  
FIG. 2 is a front elevational view of the accessory post of FIG. 1;  
FIG. 3 is a left side elevational view of the accessory post of FIG. 1;  
FIG. 4 is a right side elevational view of the accessory post of FIG. 1; and,  
FIG. 5 is a top plan view of the accessory post of FIG. 1, the bottom plan view being a mirror image thereof.  
The portions of the Figures shown in broken lines are not part of the claimed design and are for illustration only.

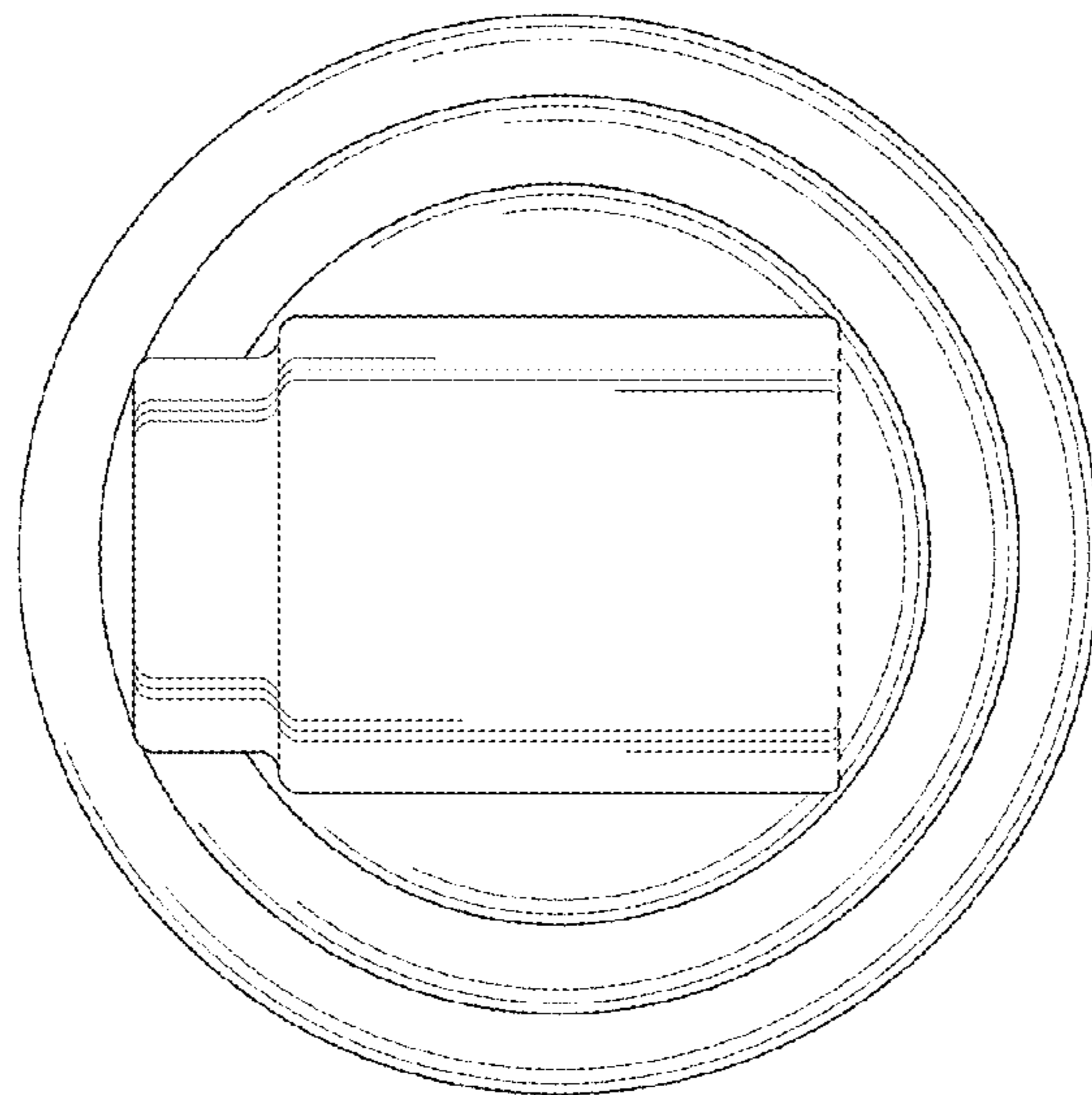
**1 Claim, 3 Drawing Sheets**

- (56) **References Cited**  
U.S. PATENT DOCUMENTS
- 2,542,941 A 2/1951 Post
- D332,824 S 1/1993 Robbins
- D371,826 S 7/1996 Robbins
- D394,971 S 6/1998 Moore
- D427,471 S 7/2000 Chen
- D455,592 S 4/2002 Ou-Young
- D466,745 S 12/2002 Chou
- D473,741 S 4/2003 Gilbert
- D474,957 S 5/2003 Singtoroj et al.
- D477,740 S 7/2003 Gilbert
- D493,315 S 7/2004 Gilbert
- D493,645 S 8/2004 Ayers et al.
- D512,860 S 12/2005 Ferrer Beltran
- D514,203 S 1/2006 Kulig

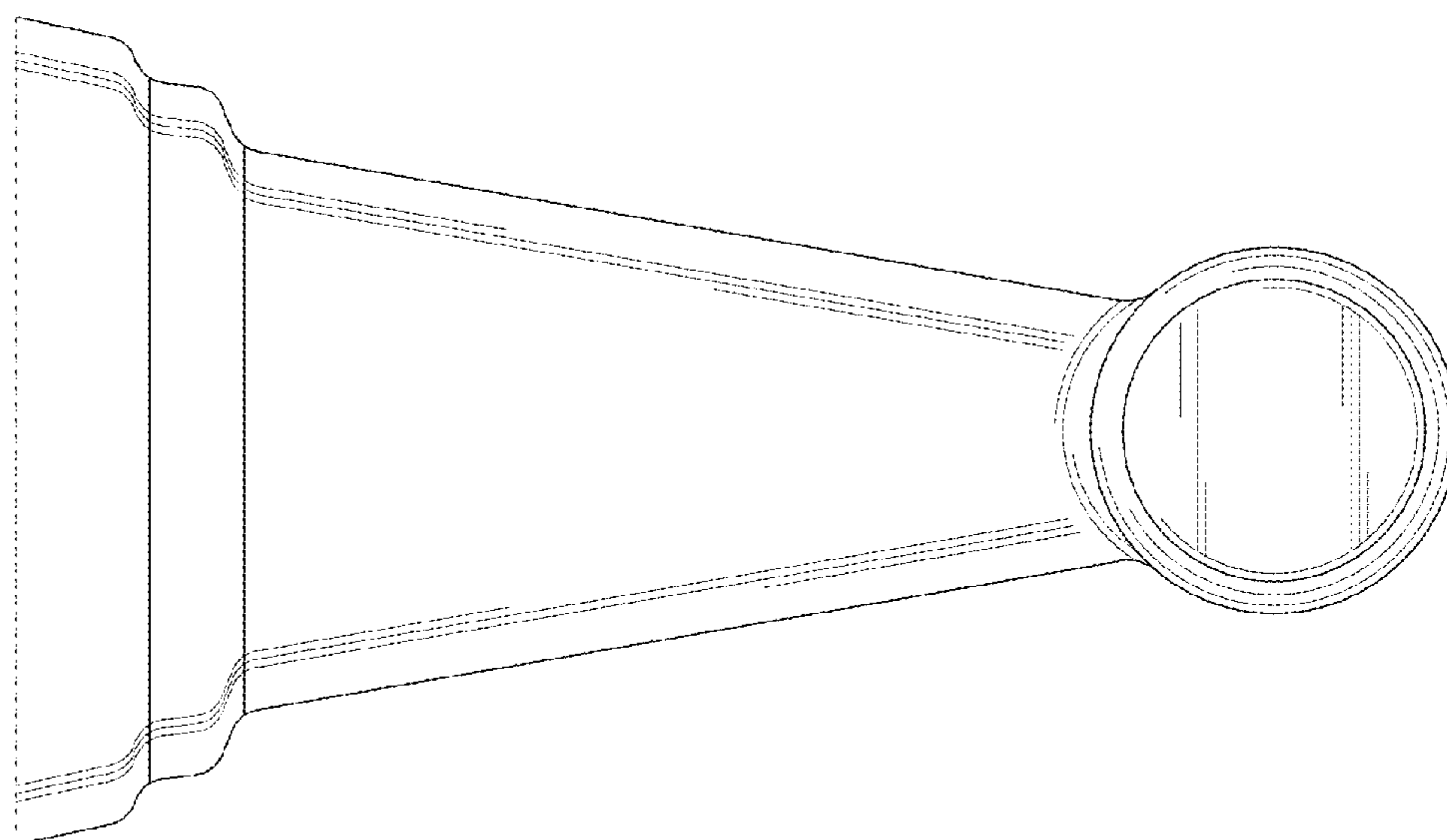




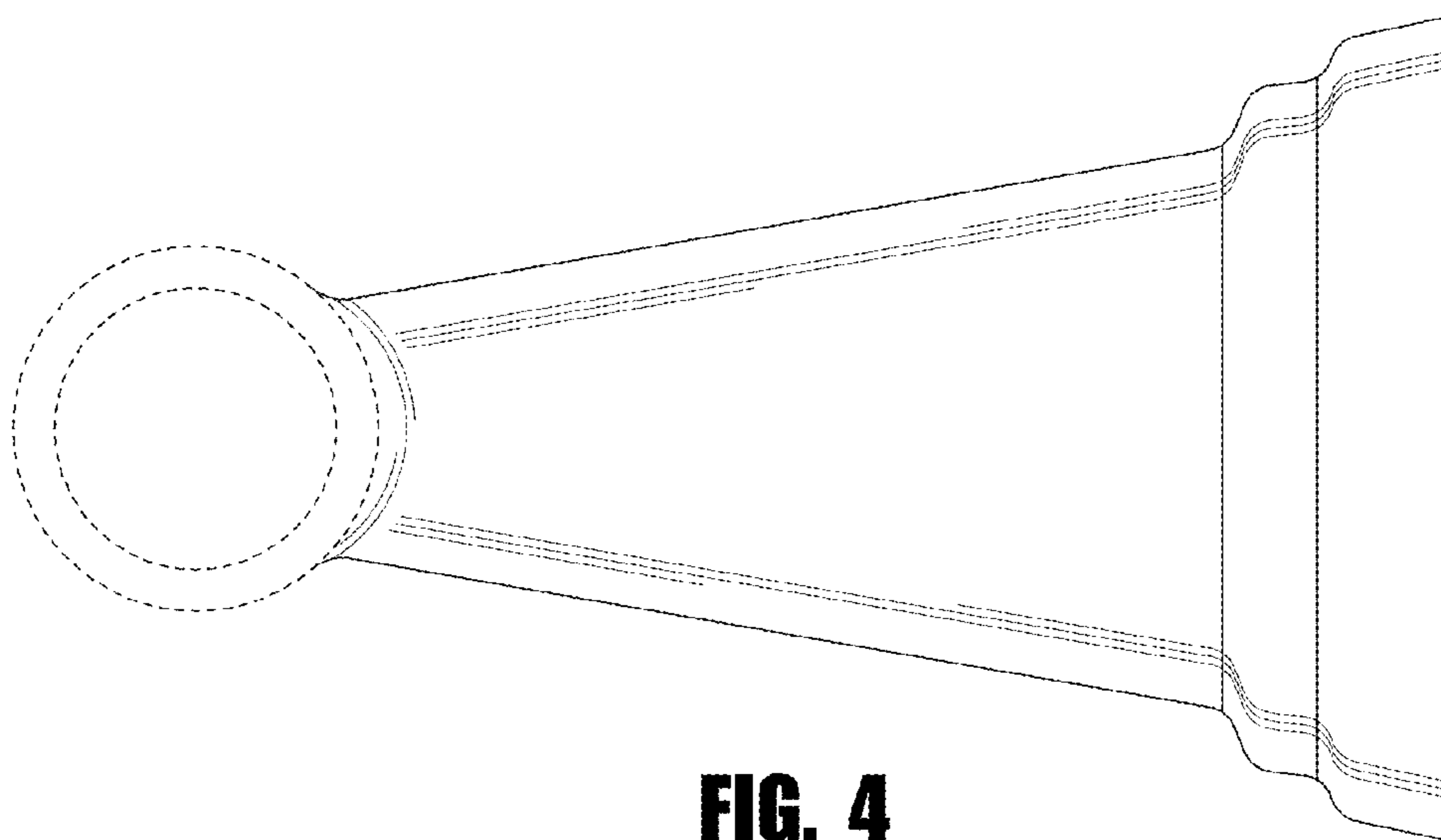
**FIG. 1**



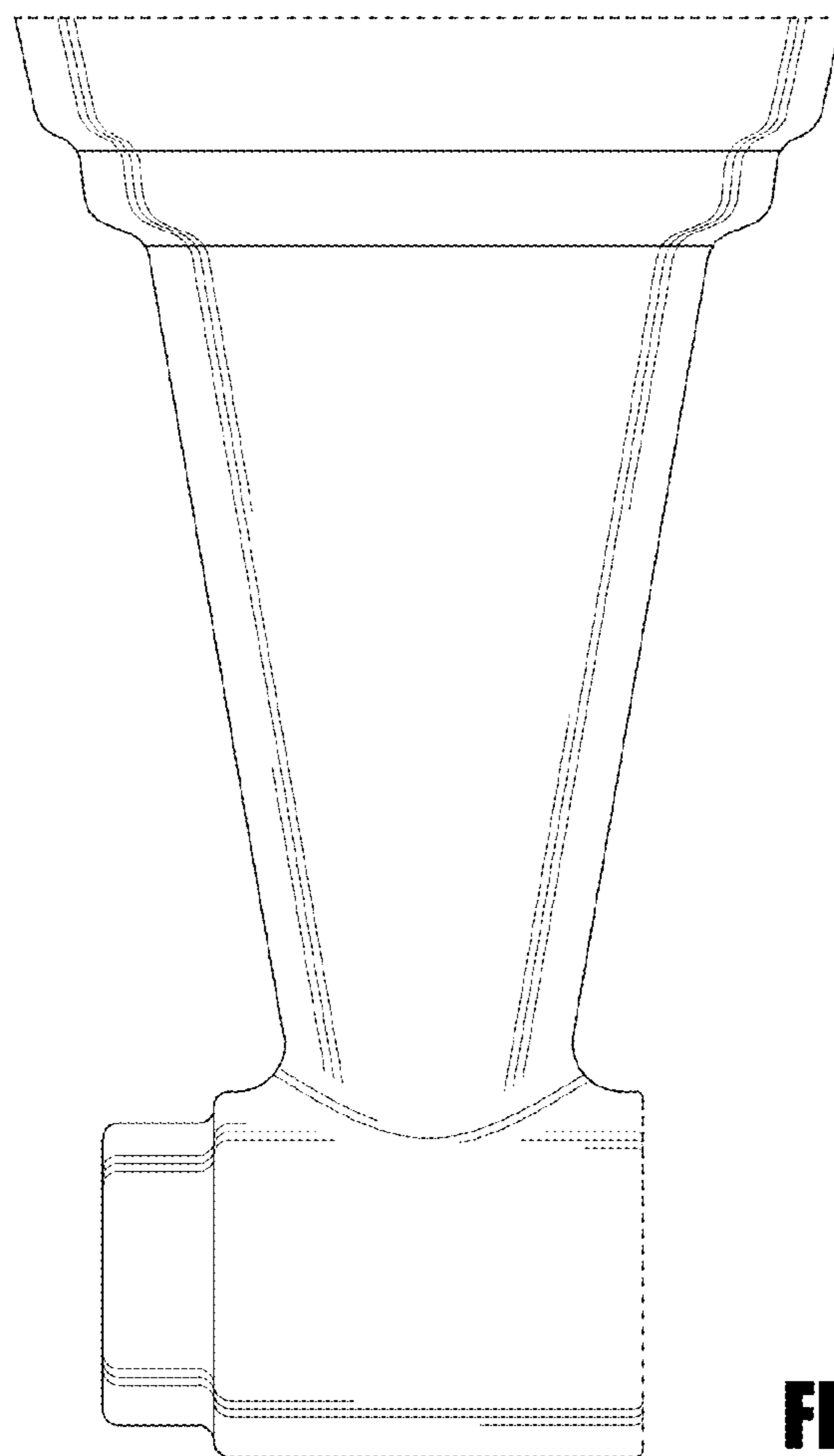
**FIG. 2**



**FIG. 3**



**FIG. 4**



**FIG. 5**