

US00D699967S

(12) **United States Design Patent**  
**Goodman et al.**

(10) **Patent No.:** **US D699,967 S**

(45) **Date of Patent:** **\*\* Feb. 25, 2014**

(54) **PAPER TOWEL HOLDER**

(71) Applicant: **Spectrum Diversified Designs, Inc.**,  
Streetsboro, OH (US)

(72) Inventors: **Sheldon H. Goodman**, Solon, OH (US);  
**Phaysouk Xayoiphonh**, Akron, OH  
(US); **Jennifer K. Case**, Middleburg  
Heights, OH (US)

(73) Assignee: **Spectrum Diversified Designs, Inc.**,  
Streetsboro, OH (US)

(\*\*) Term: **14 Years**

(21) Appl. No.: **29/469,447**

(22) Filed: **Oct. 10, 2013**

(51) **LOC (10) Cl.** ..... **23-02**

(52) **U.S. Cl.**  
USPC ..... **D6/522**

(58) **Field of Classification Search**  
USPC ..... D6/518-524, 546-550; D8/300, 370,  
D8/315; 108/28-29; 211/13.1, 16, 85.5,  
211/86.01, 87.01, 88.04, 100, 105.1, 105.2,  
211/106, 113, 123, 181.1, 182-183;  
248/49, 175, 176.1, 200, 201, 205.1,  
248/251, 302, 309.1, 315; 242/570, 590,  
242/595-598

See application file for complete search history.

(56) **References Cited**

**U.S. PATENT DOCUMENTS**

D139,479 S \* 11/1944 Sale ..... D6/549  
D156,231 S \* 11/1949 Grady ..... D6/549

D234,990 S \* 4/1975 Morgan ..... D6/546  
D448,592 S \* 10/2001 McBride ..... D6/522  
D450,503 S \* 11/2001 Gottwald ..... D6/523  
D465,365 S \* 11/2002 Moore ..... D6/523  
D477,481 S \* 7/2003 Ouano ..... D6/523  
D506,920 S \* 7/2005 Taylor ..... D6/548  
D521,292 S \* 5/2006 Ferrer Beltran ..... D6/546  
D522,295 S \* 6/2006 Ferrer Beltran ..... D6/546  
D523,273 S \* 6/2006 Ferrer Beltran ..... D6/546  
D573,825 S \* 7/2008 Rubin et al. .... D6/546  
D576,435 S \* 9/2008 Snell ..... D6/522  
D613,540 S \* 4/2010 Klein et al. .... D6/548  
D663,984 S \* 7/2012 Fritz et al. .... D6/546

\* cited by examiner

*Primary Examiner* — Brian N Vinson

(74) *Attorney, Agent, or Firm* — Renner, Otto, Boisselle &  
Sklar, LLP

(57) **CLAIM**

The ornamental design for a paper towel holder, as shown and  
described.

**DESCRIPTION**

FIG. 1 is a perspective view of a paper towel holder showing  
our new design.

FIG. 2 is a top view thereof.

FIG. 3 is a left side view thereof.

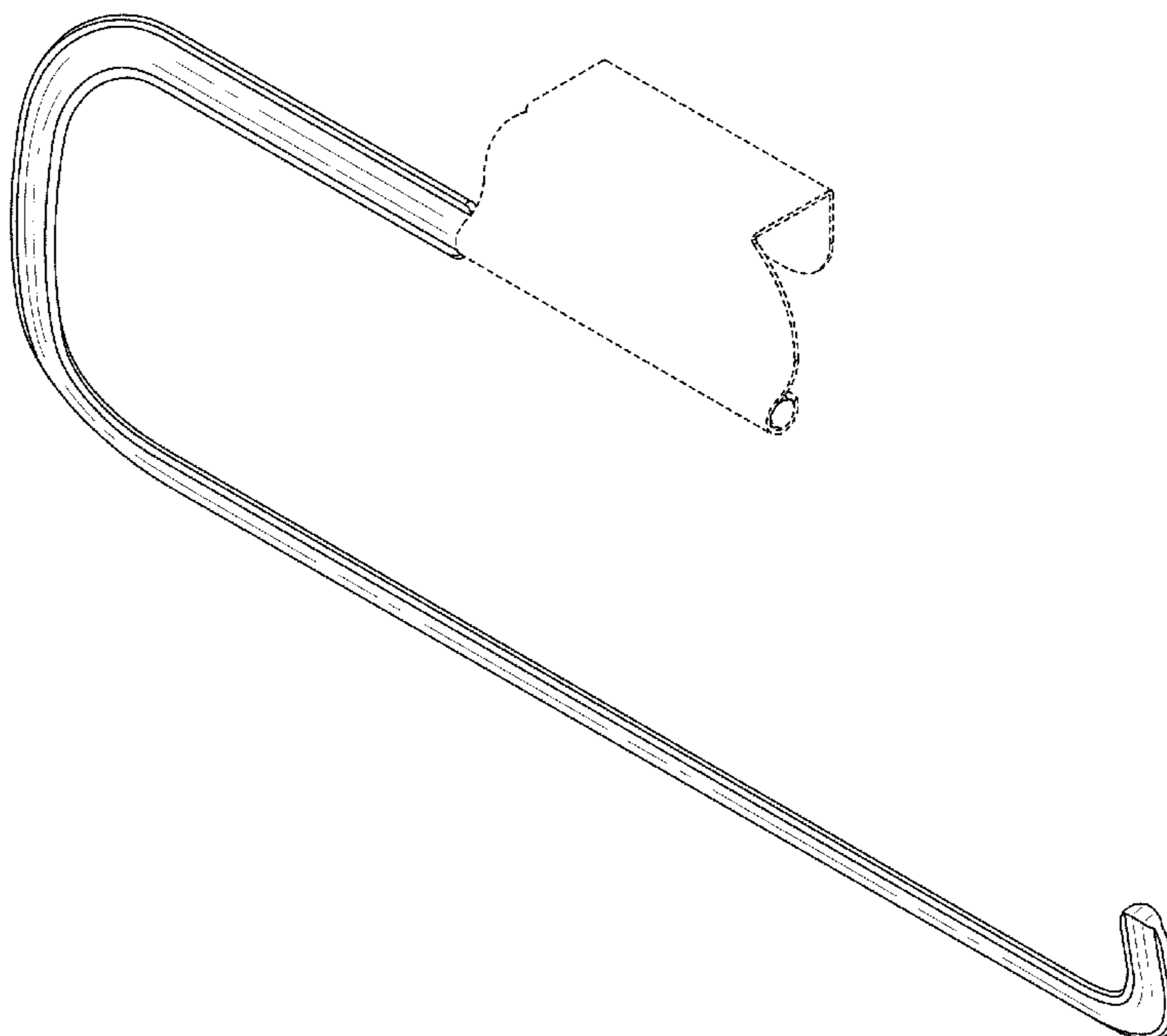
FIG. 4 is a front view thereof.

FIG. 5 is a right side view thereof; and,

FIG. 6 is a bottom view thereof.

The broken-line disclosure represents an unclaimed portion  
of the paper towel holder.

**1 Claim, 2 Drawing Sheets**



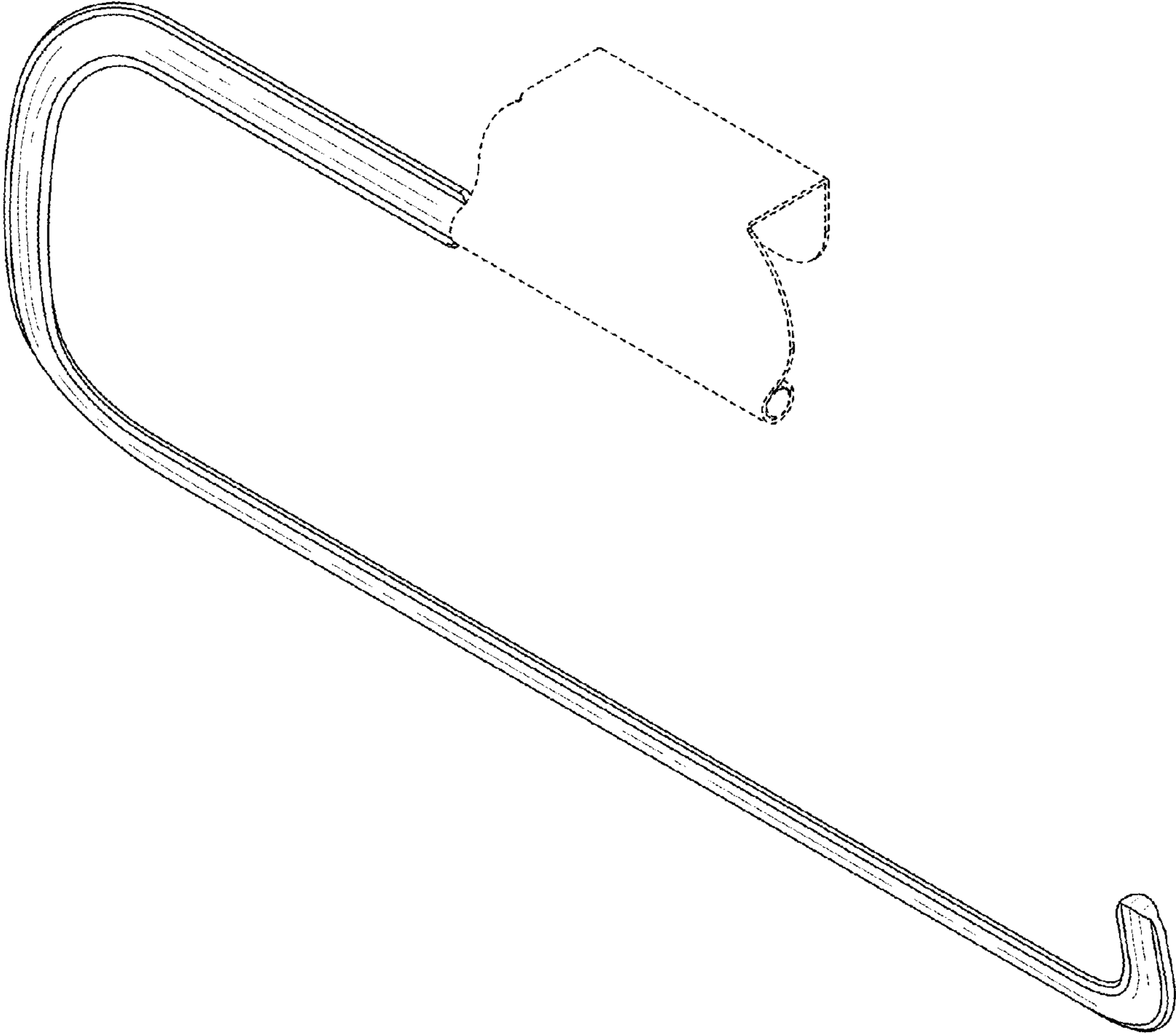


FIG 1

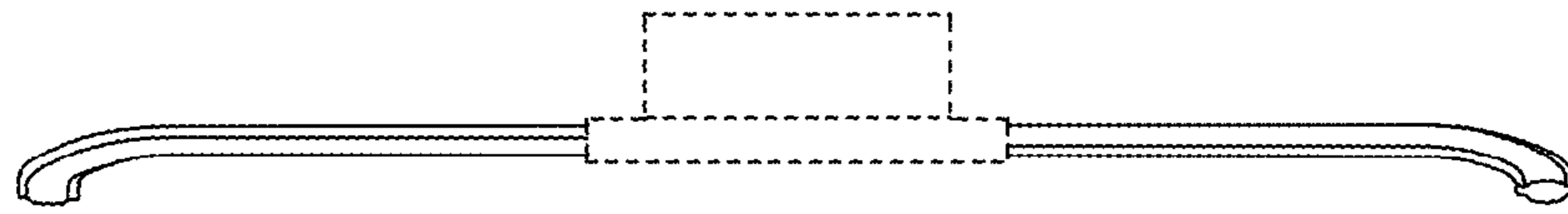


FIG 2

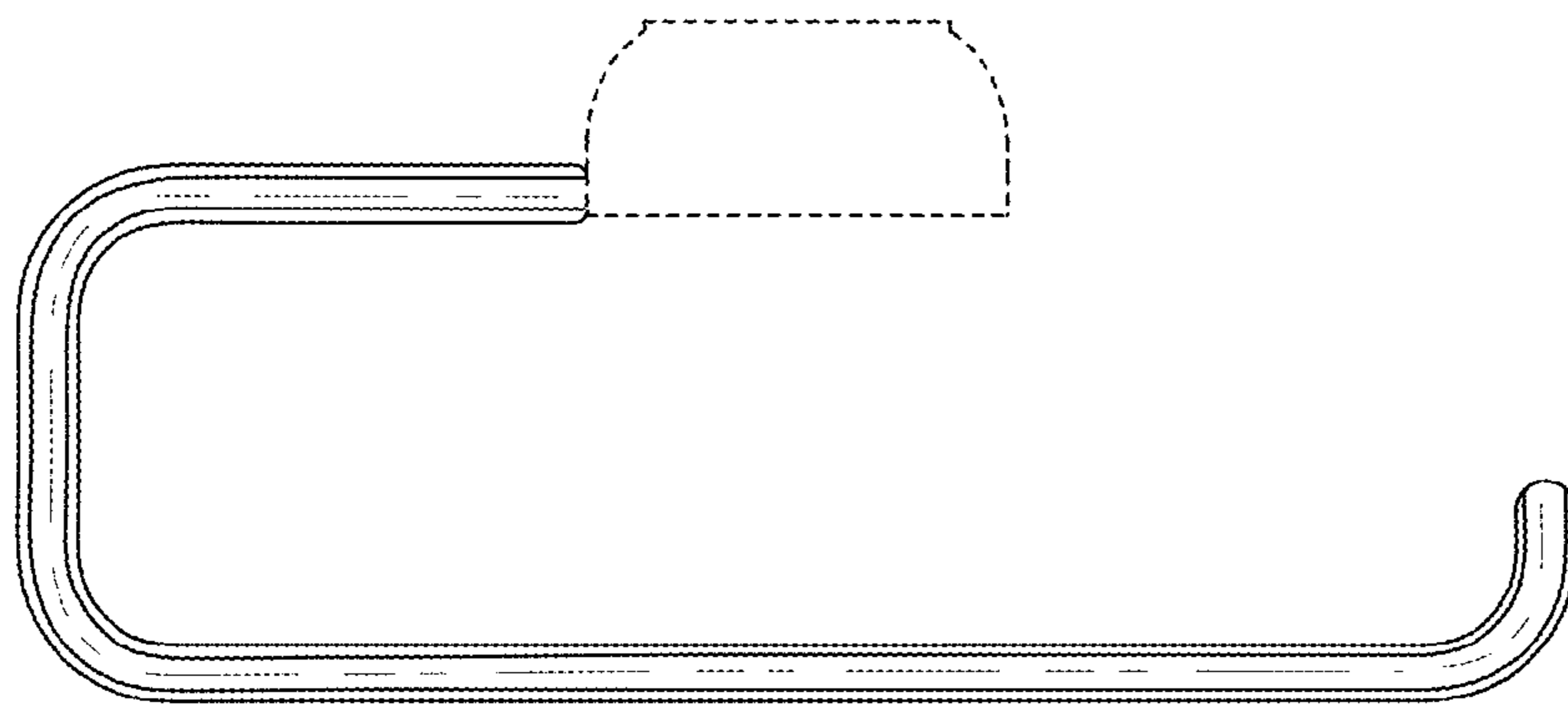


FIG 4

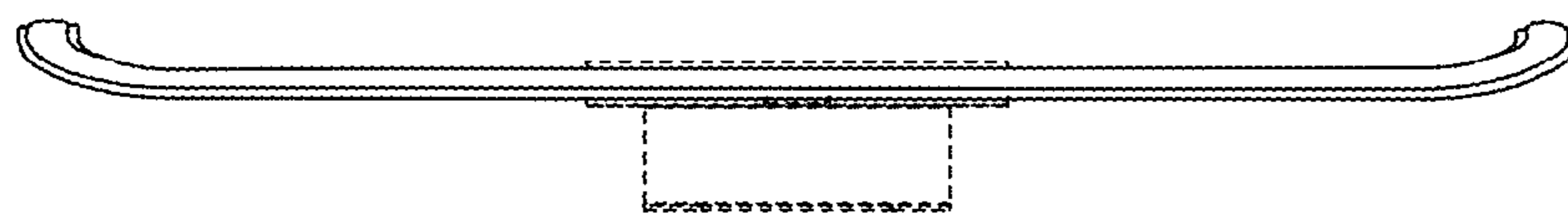


FIG 6



FIG 3

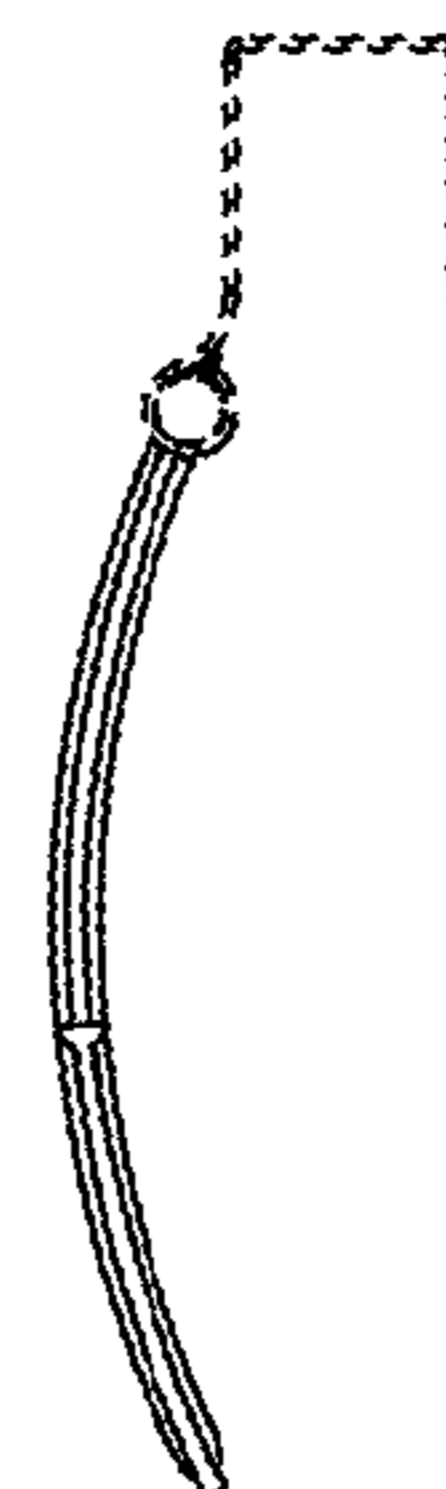


FIG 5