



US00D699966S

(12) **United States Design Patent**  
**Sill et al.**

(10) **Patent No.:** **US D699,966 S**

(45) **Date of Patent:** **\*\* Feb. 25, 2014**

(54) **BAG RACK AND DISPENSER**

D362,577 S \* 9/1995 Green ..... D6/566  
D372,826 S \* 8/1996 Hecker ..... D6/566  
D571,518 S \* 6/2008 Waldman ..... D6/566

(71) Applicant: **Inno-Pak, LLC**, Delaware, OH (US)

\* cited by examiner

(72) Inventors: **Jonathan D. Sill**, Powell, OH (US);  
**Christopher T. Sill**, Westerville, OH (US)

*Primary Examiner* — Brian N Vinson

(74) *Attorney, Agent, or Firm* — Ward and Smith, P.A.

(73) Assignee: **Inno-Pak, LLC**, Delaware, OH (US)

(57) **CLAIM**

The ornamental design for a bag rack and dispenser, as shown and described.

(\*\*) Term: **14 Years**

**DESCRIPTION**

(21) Appl. No.: **29/453,126**

(22) Filed: **Apr. 25, 2013**

(51) **LOC (10) Cl.** ..... **20-02**

(52) **U.S. Cl.**  
USPC ..... **D6/518**; D6/566

(58) **Field of Classification Search**  
USPC ..... D6/513, 362, 574, 572, 566; 297/425;  
D12/317, 400, 406, 223, 425;  
211/13.1, 85.7, 86.01, 87.01, 90.01,  
211/134; 108/42, 149; 248/127, 176.1, 200,  
248/201, 235, 250  
See application file for complete search history.

FIG. 1 is a perspective view of a bag rack and dispenser showing a new design;  
FIG. 2 is a right side elevation view thereof, the left side being a mirror image;  
FIG. 3 is a front elevation view thereof;  
FIG. 4 is a rear elevation view thereof;  
FIG. 5 is a top plan view thereof;  
FIG. 6 is a bottom plan view thereof;  
FIG. 7 is another perspective view thereof, showing the bag rack and dispenser with a plurality of bags thereon;  
FIG. 8 is a right side elevation view thereof, the left side being a mirror image;  
FIG. 9 is a front elevation view thereof;  
FIG. 10 is a rear elevation view thereof;  
FIG. 11 is a top plan view thereof;  
FIG. 12 is a bottom plan view thereof; and,  
FIG. 13 is top perspective view thereof, showing the bag rack and dispenser with a plurality of bags thereon and showing a bag in an open configuration.

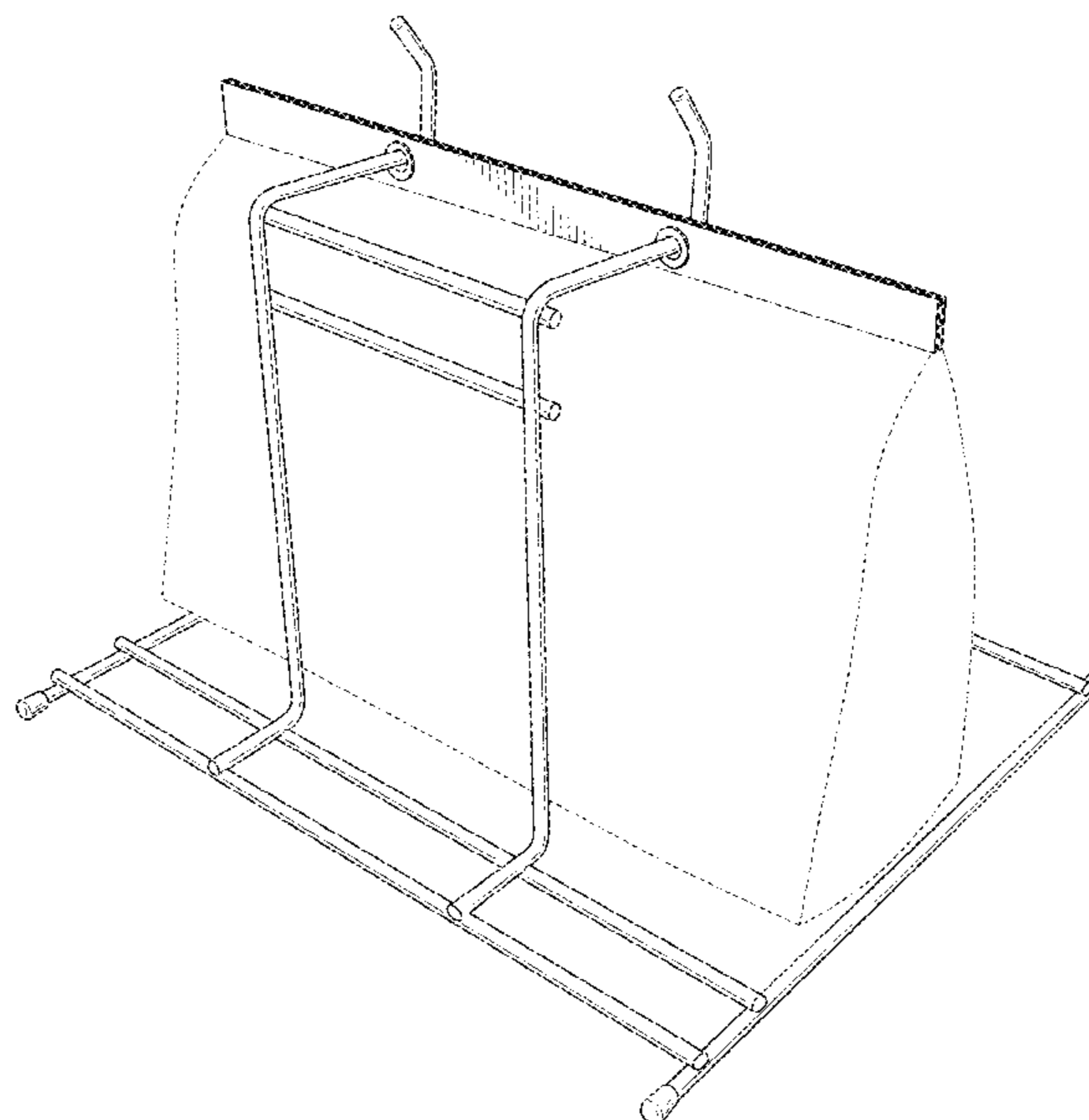
The dashed lines shown in the drawings are for environmental purposes only and form no part of the claimed design.

(56) **References Cited**

U.S. PATENT DOCUMENTS

D264,651 S \* 6/1982 Adamson ..... D6/566  
4,487,388 A \* 12/1984 Provan ..... 211/50  
4,623,111 A \* 11/1986 Prader ..... D6/566  
5,014,944 A \* 5/1991 Malik et al. .... D34/6  
D319,124 S \* 8/1991 Harjung ..... D6/566  
D319,125 S \* 8/1991 Currie ..... D6/566  
D324,748 S \* 3/1992 Bagamery ..... D6/566

**1 Claim, 13 Drawing Sheets**



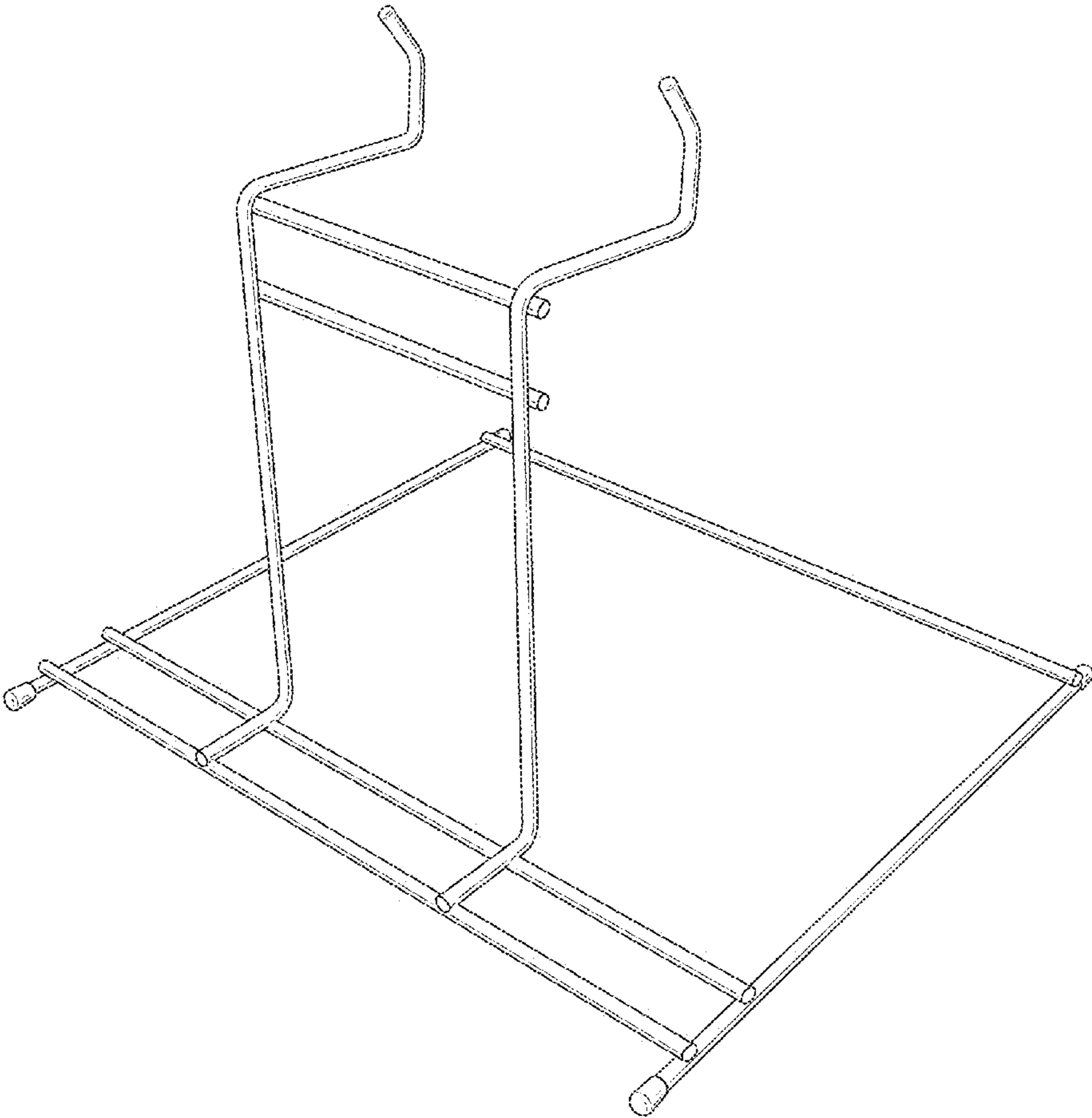


FIG. 1

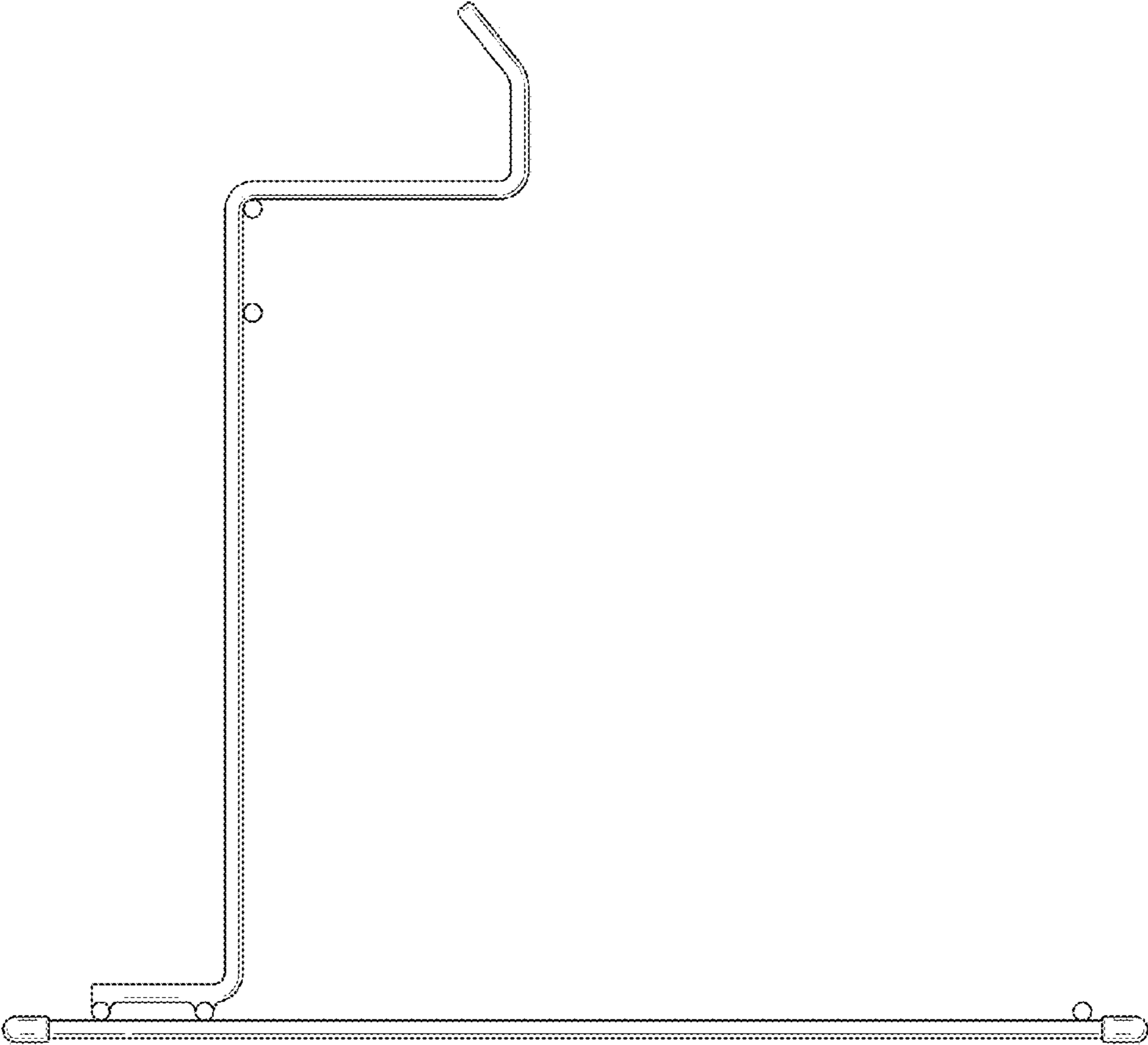


FIG. 2

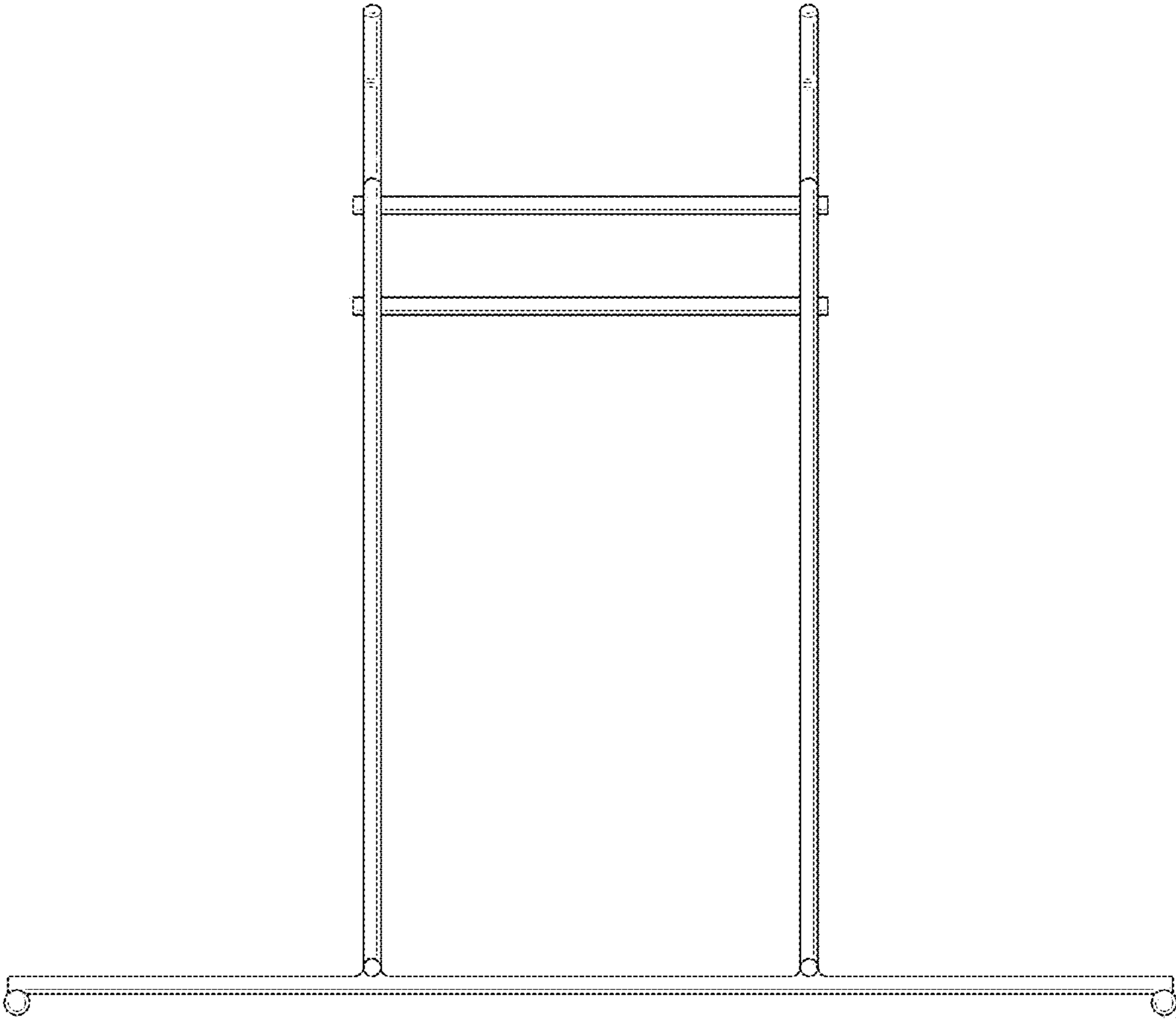


FIG. 3

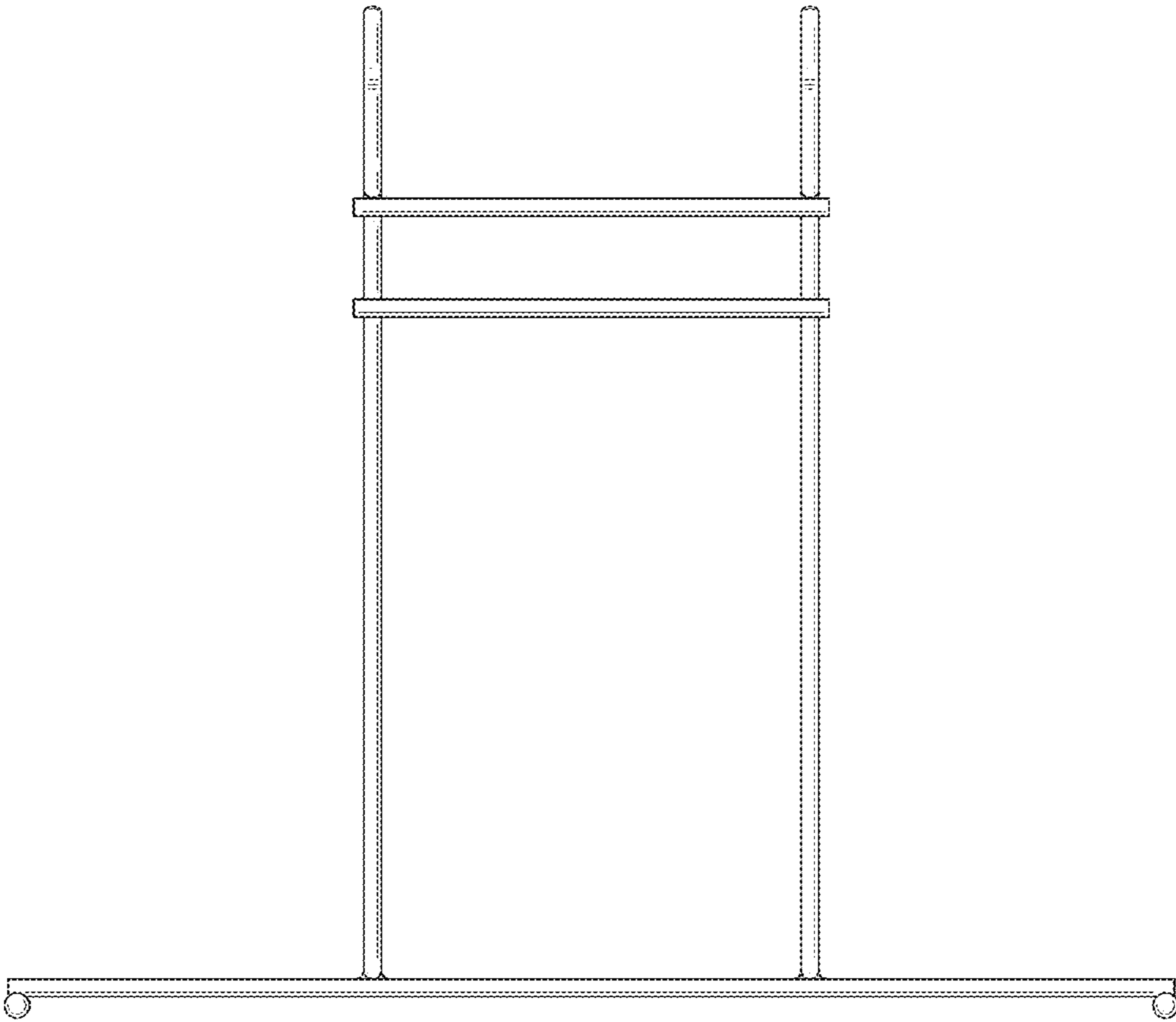
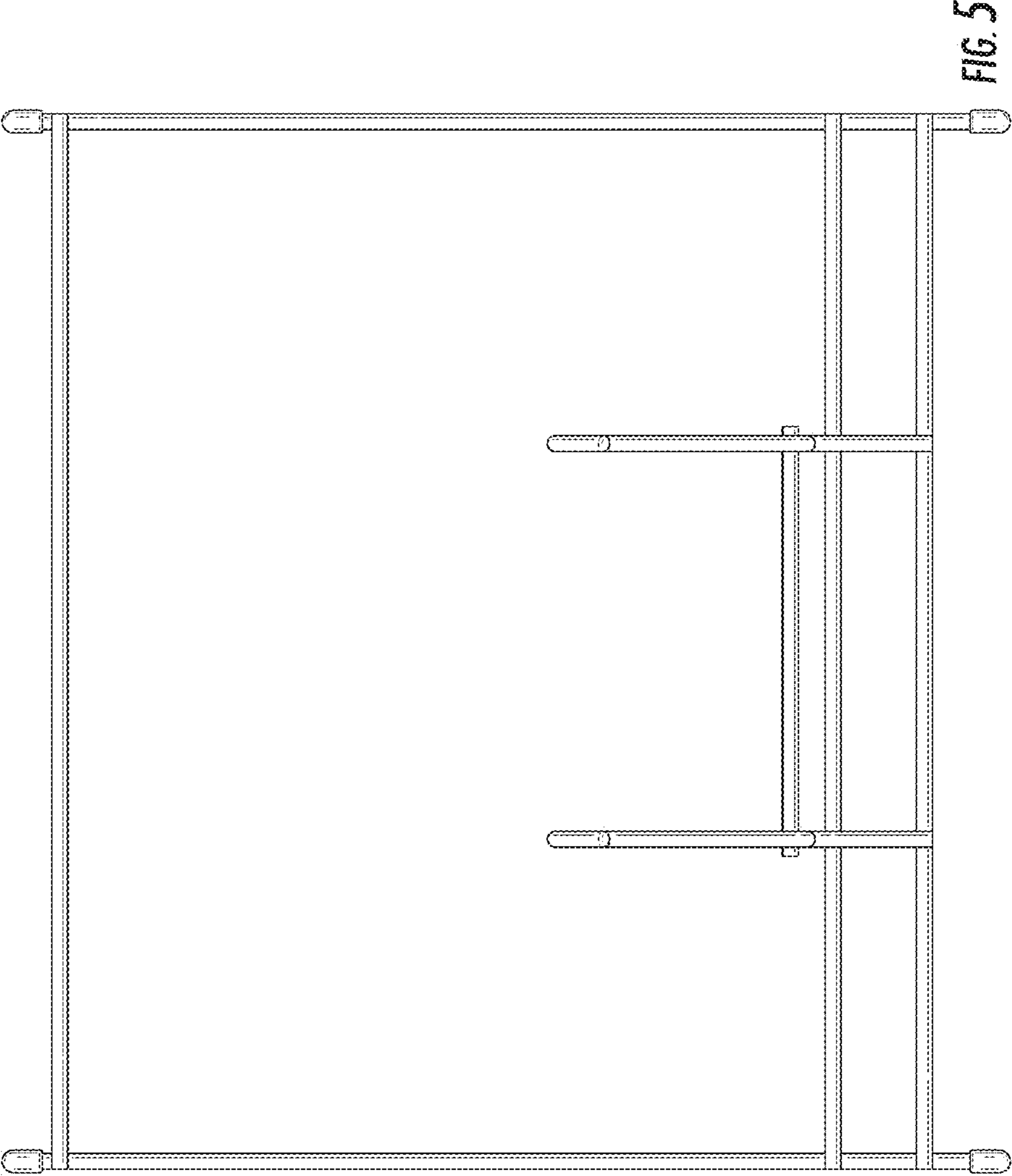
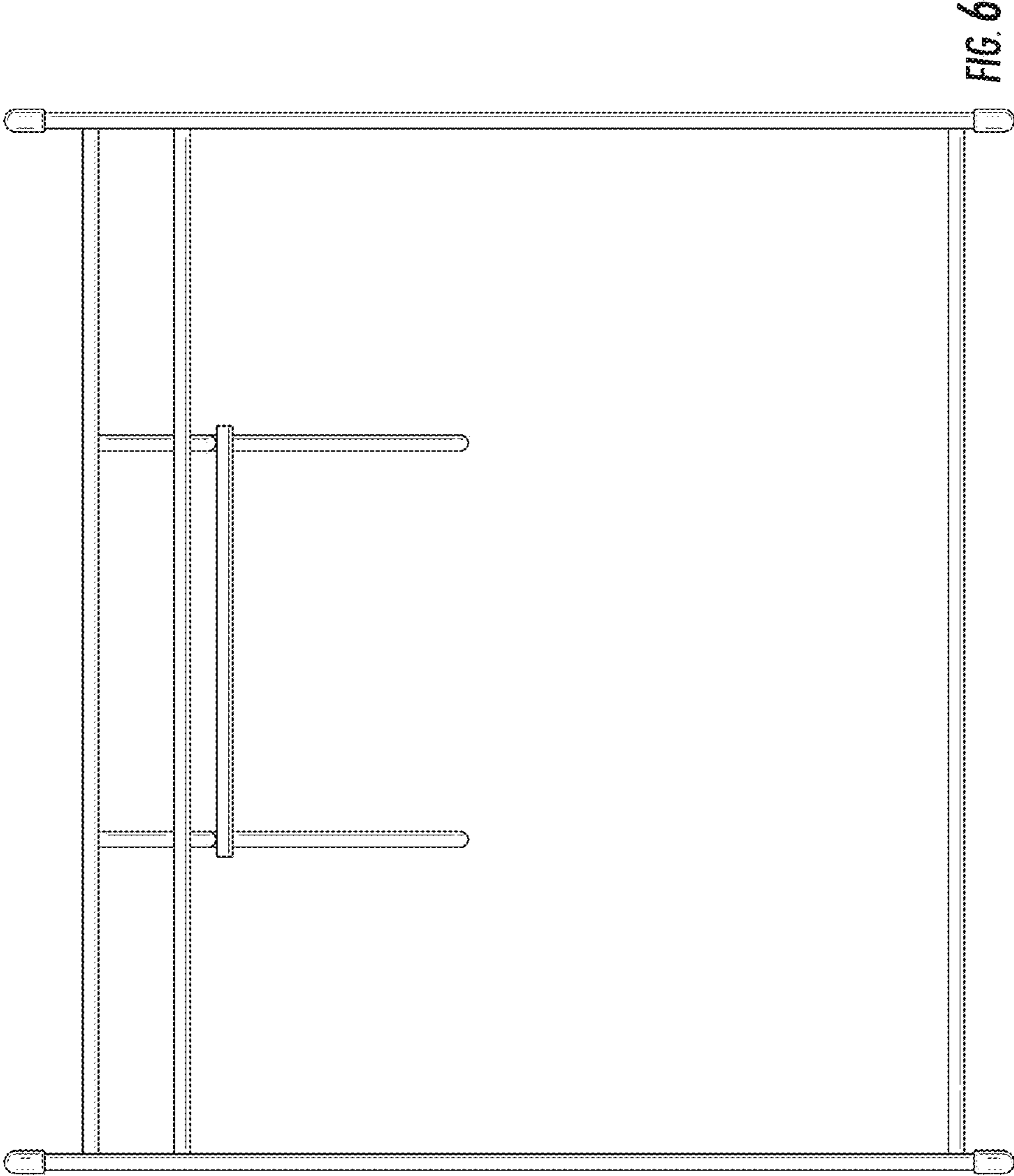


FIG. 4





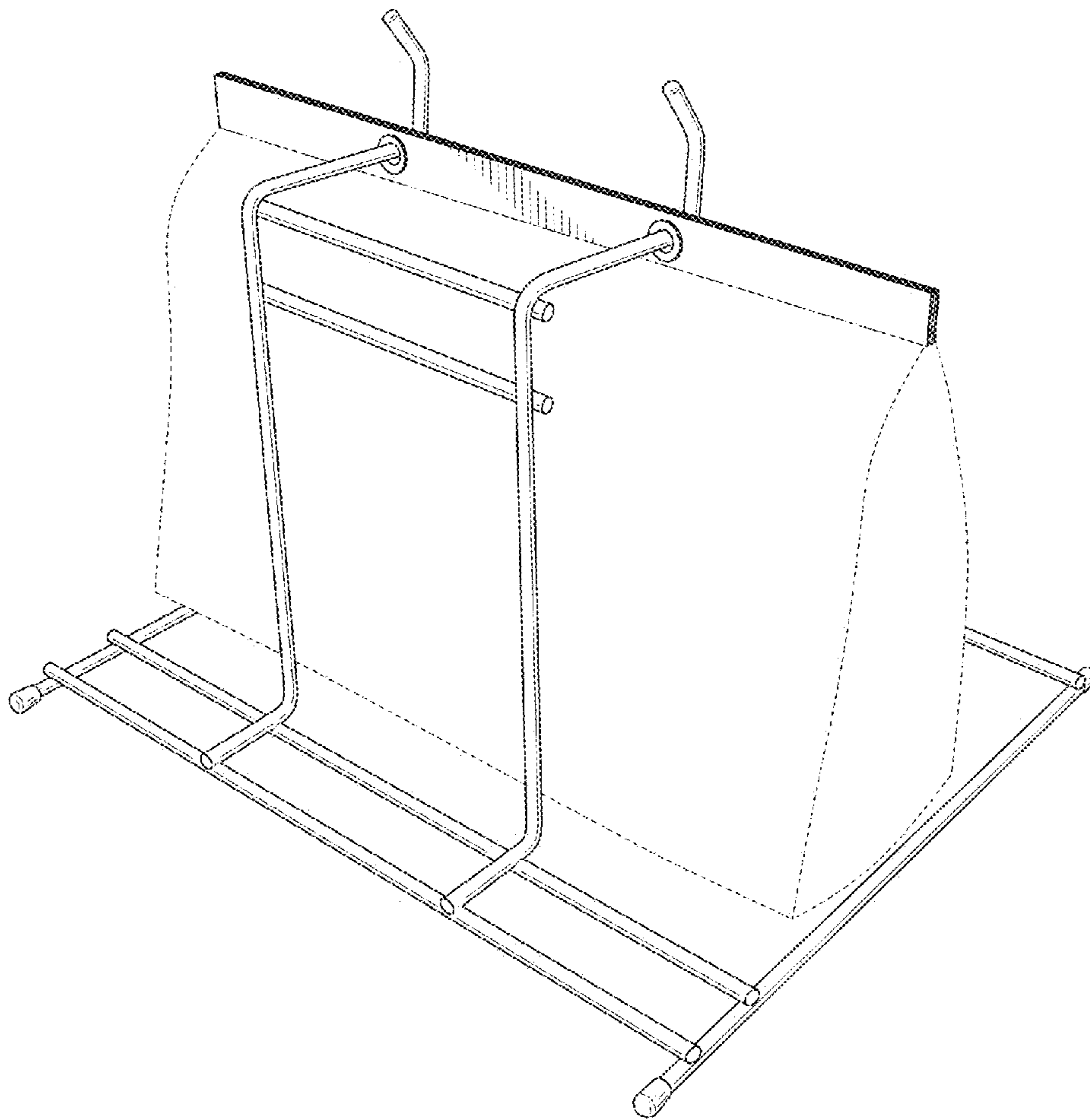


FIG. 7



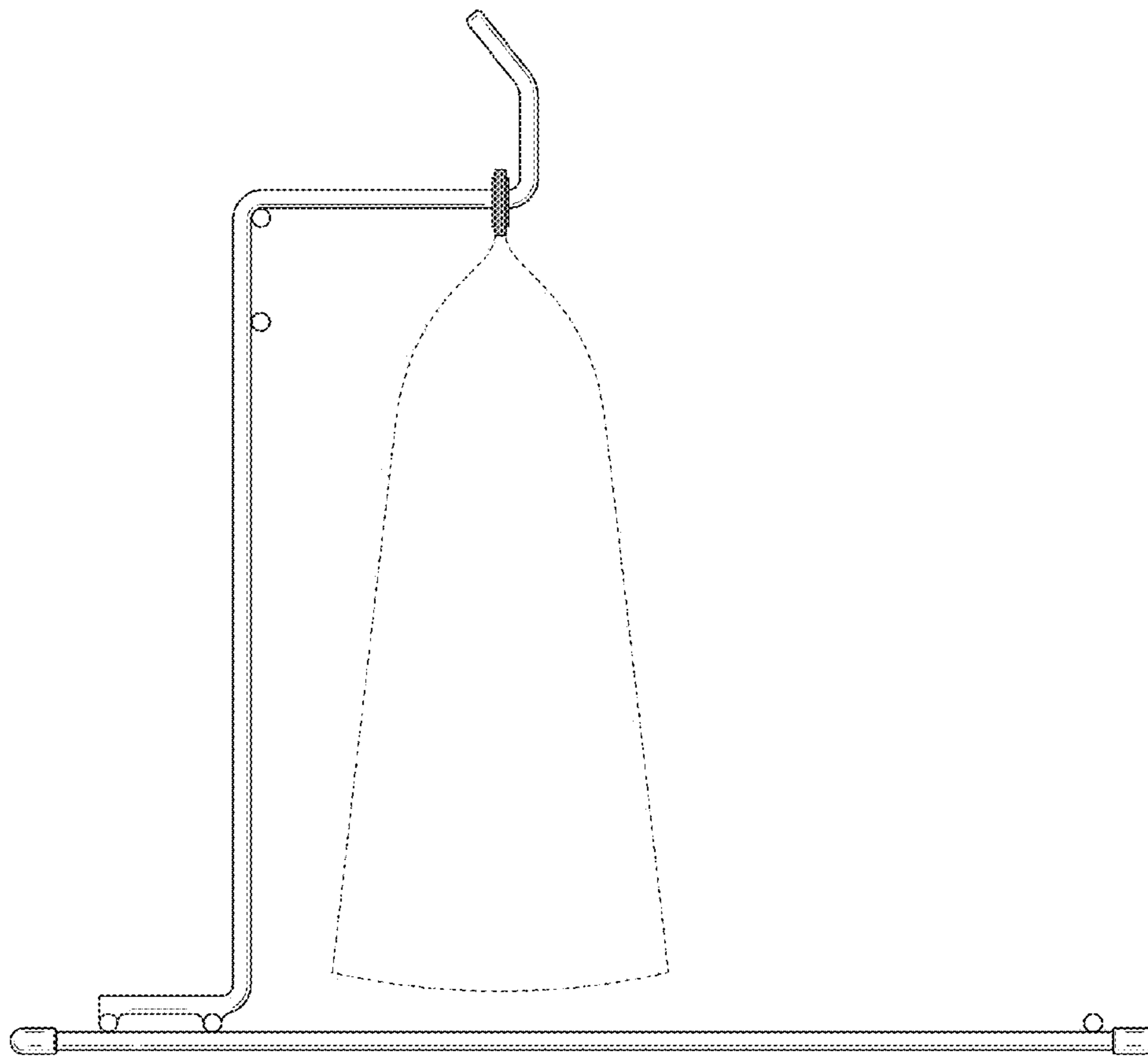


FIG. 8

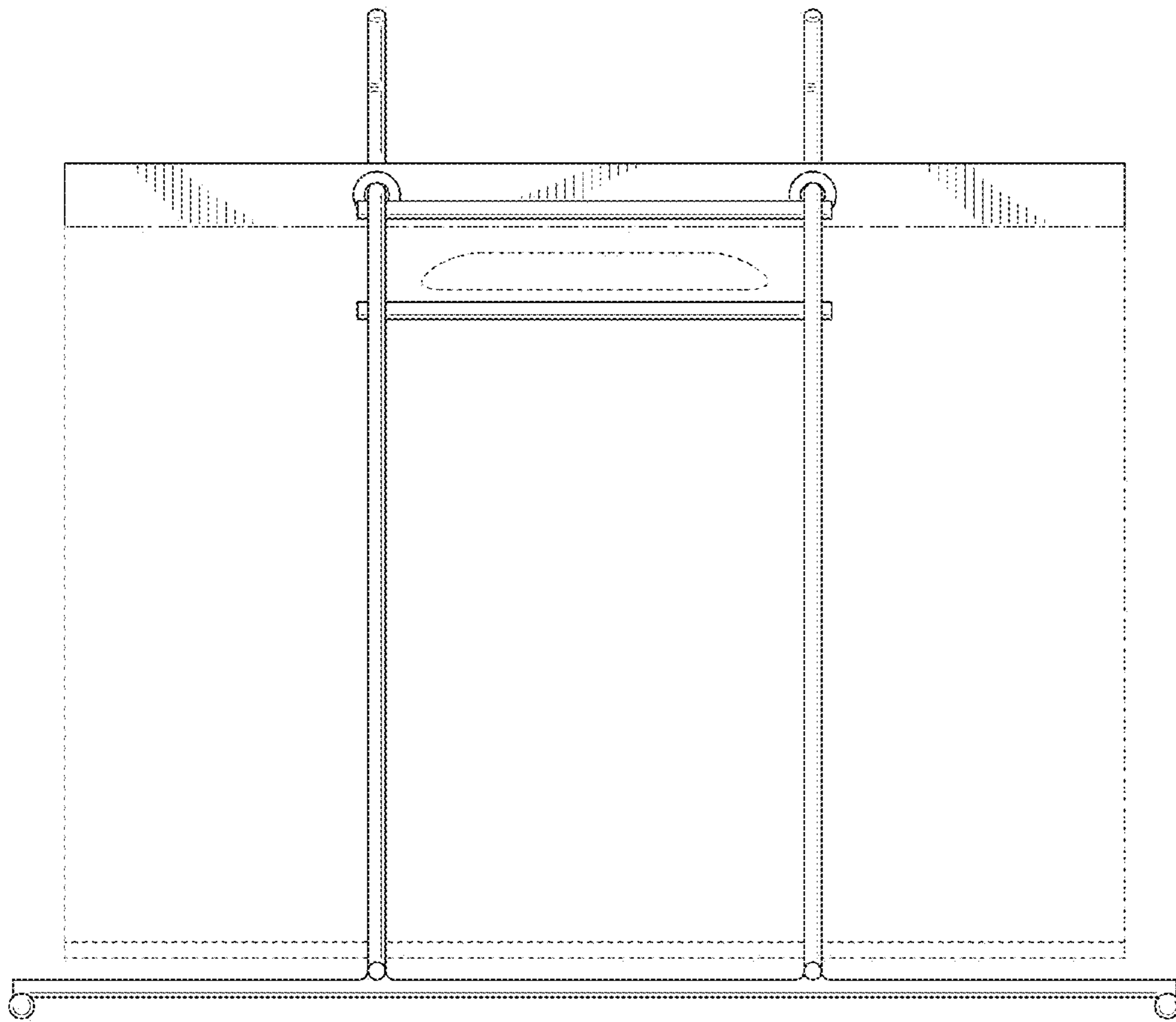


FIG. 9

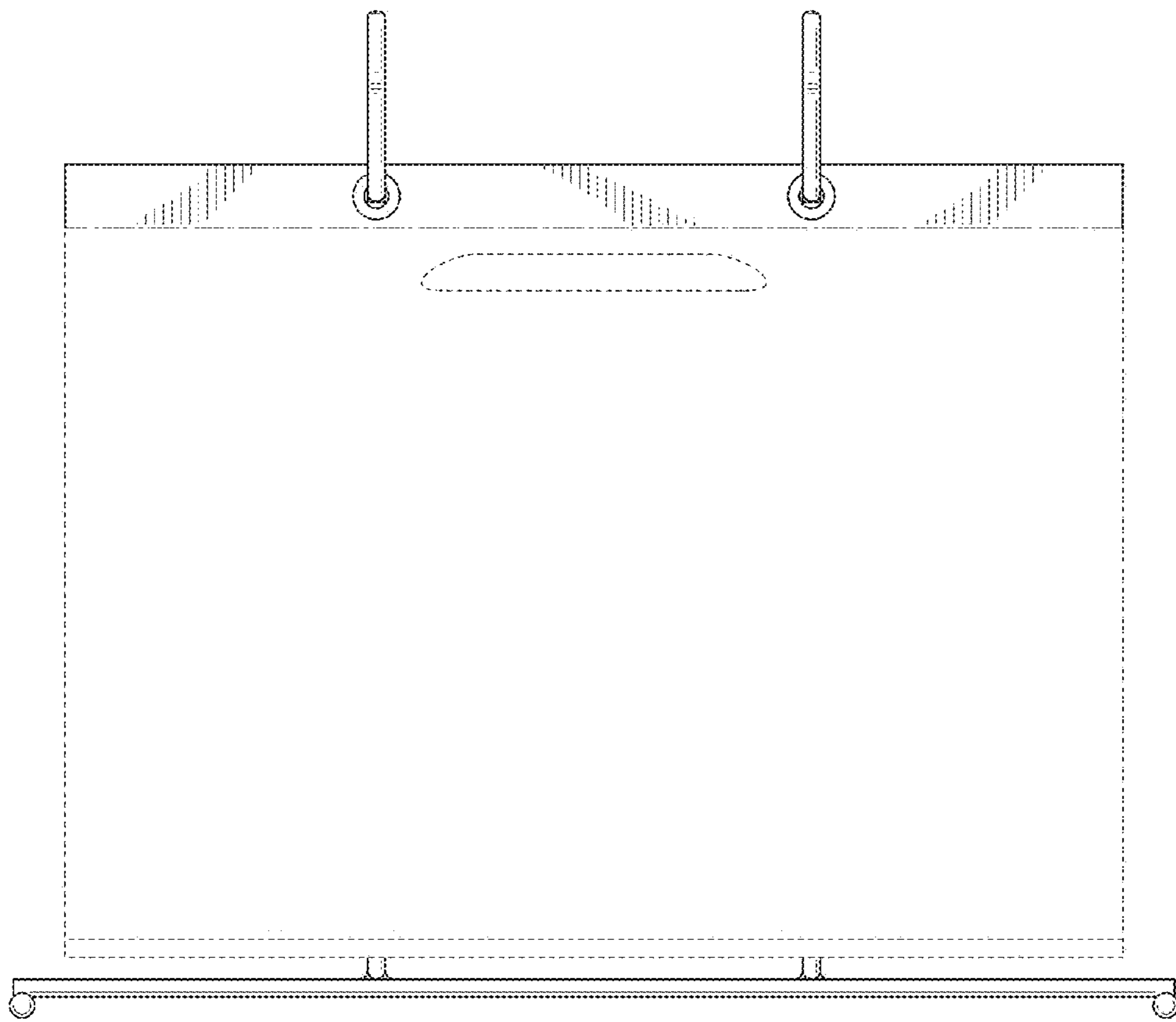
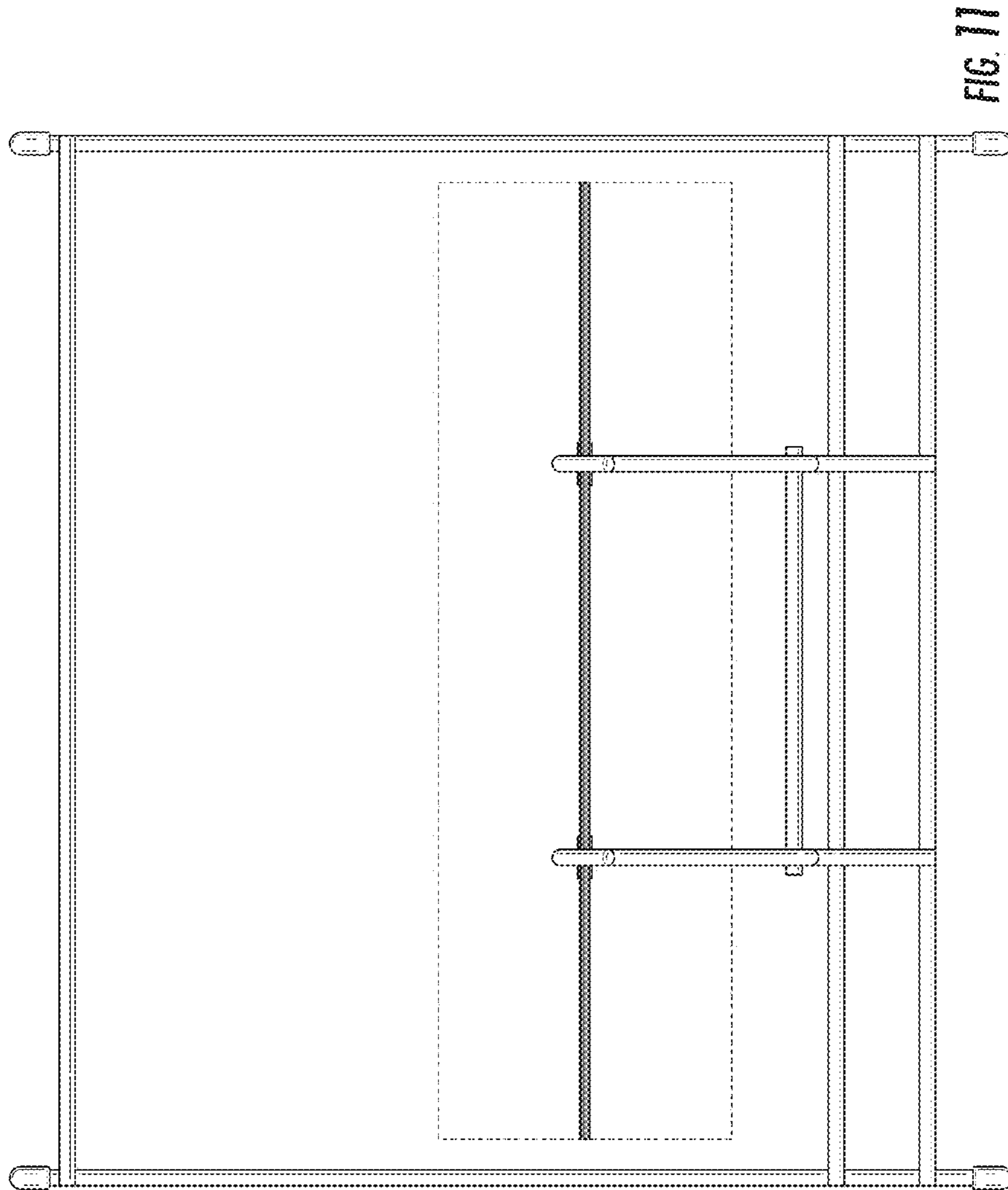


FIG. 10



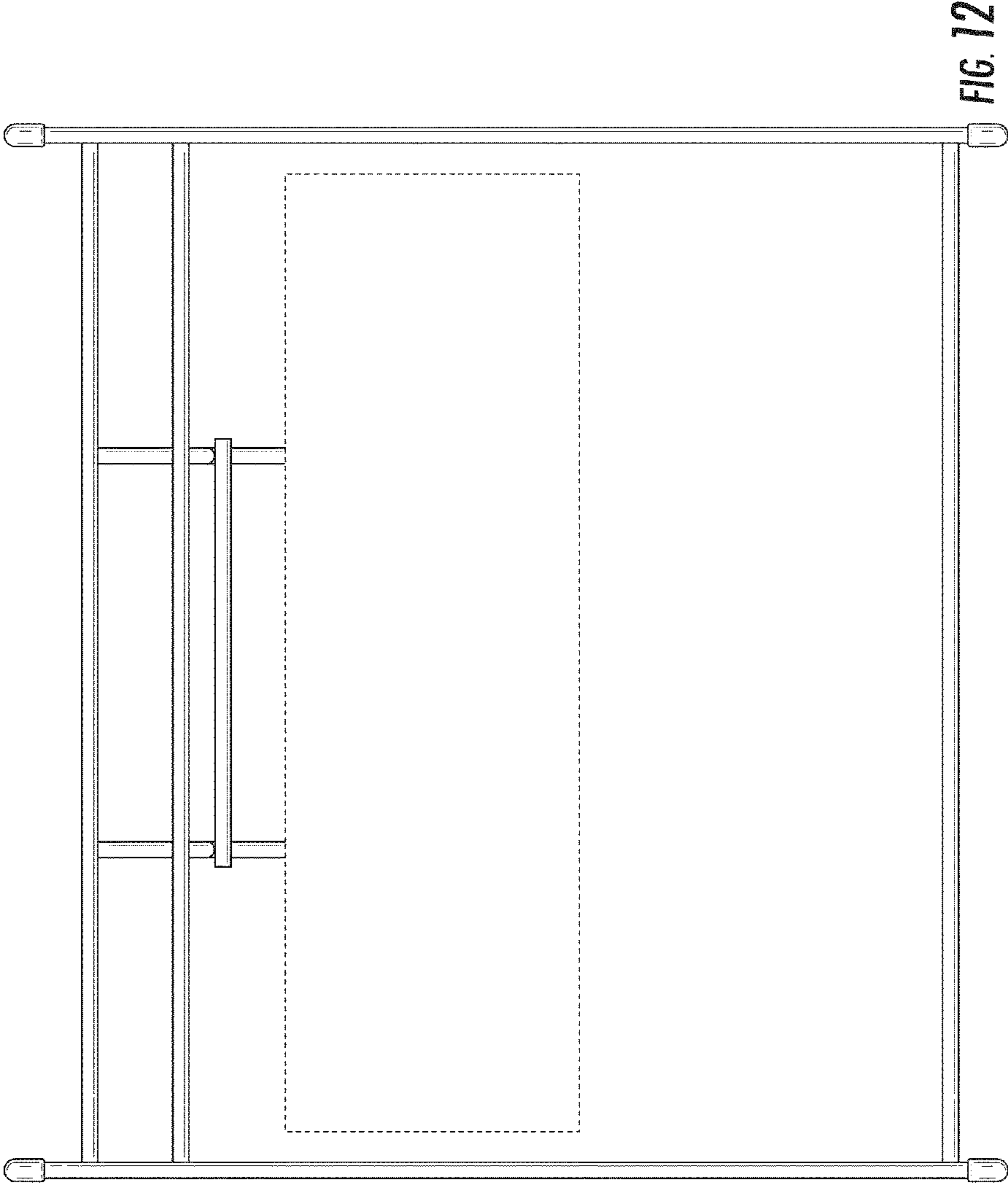


FIG. 12

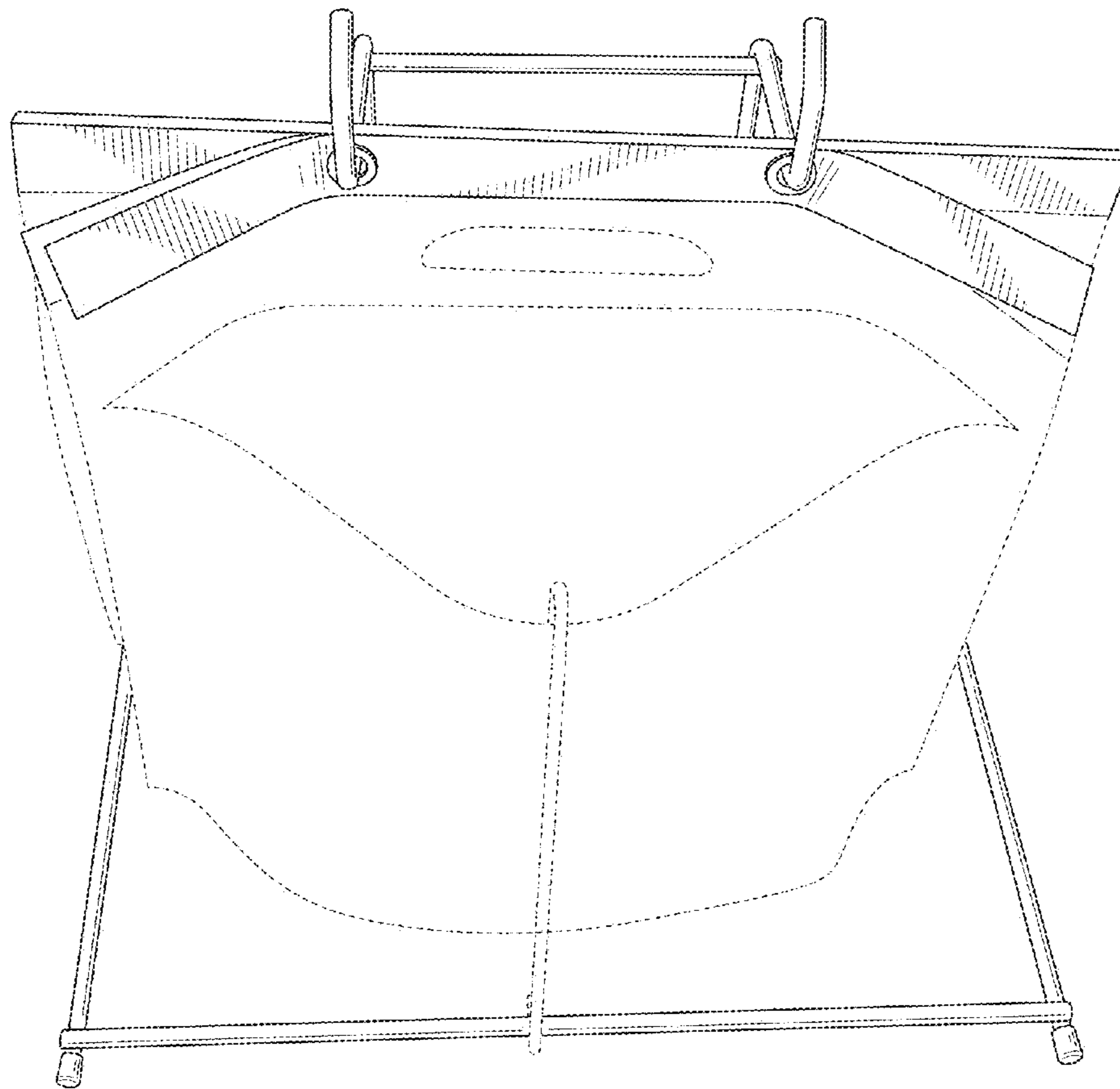


FIG. 13