

US00D699965S

(12) **United States Design Patent**
Costello et al.

(10) **Patent No.:** **US D699,965 S**
(45) **Date of Patent:** **** Feb. 25, 2014**

(54) **SPOOL FOR DISPENSING BAGS**

(71) Applicant: **Roplast Industries, Inc.**, Oroville, CA
(US)

(72) Inventors: **Darrell Costello**, Chico, CA (US);
Robert T. Bateman, Oroville, CA (US)

(73) Assignee: **Roplast Industries, Inc.**, Oroville, CA
(US)

(**) Term: **14 Years**

(21) Appl. No.: **29/460,854**

(22) Filed: **Jul. 16, 2013**

(51) **LOC (10) Cl.** **20-02**

(52) **U.S. Cl.**
USPC **D6/515**

(58) **Field of Classification Search**
USPC D6/515, 518; D34/10; 206/390, 397;
220/908, 909, 403, 404, 407; 248/95

See application file for complete search history.

(56) **References Cited**

U.S. PATENT DOCUMENTS

4,364,490	A *	12/1982	Lang et al.	248/95
D427,825	S *	7/2000	Mooney	D6/515
D614,897	S *	5/2010	Morand	D6/515
D664,386	S *	7/2012	Ohnishi et al.	D6/515

* cited by examiner

Primary Examiner — Brian N Vinson

(74) *Attorney, Agent, or Firm* — David R. Heckadon;
Gordon & Rees LLP

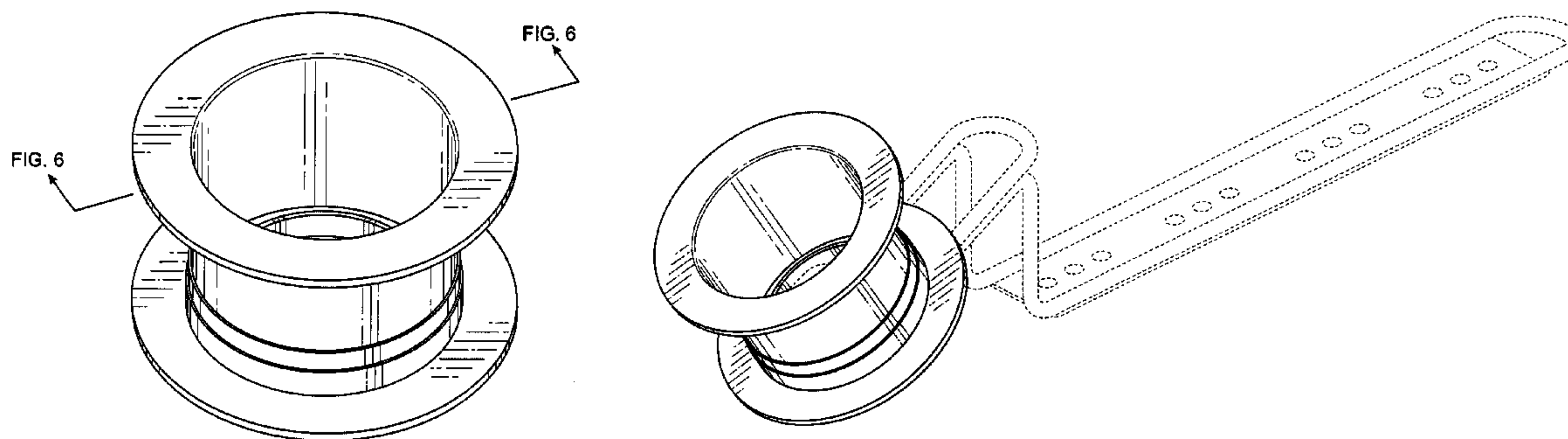
(57) **CLAIM**

The spool for dispensing bags, as shown and described.

DESCRIPTION

FIG. 1 is a perspective view of the spool.
 FIG. 2 is a top plan view of the spool.
 FIG. 3 is a bottom plan view of the spool.
 FIG. 4 is side elevation view of the spool.
 FIG. 5 is a view similar to FIG. 1, having sectional view lines 6-6- thereon.
 FIG. 6 is a sectional elevation view taken along line 6-6 in FIG. 5; and,
 FIG. 7 is a perspective view of the spool mounted onto an exemplary spool dispenser.
 The dotted lines are for illustration purposes only and form no part of the claimed design.

1 Claim, 5 Drawing Sheets



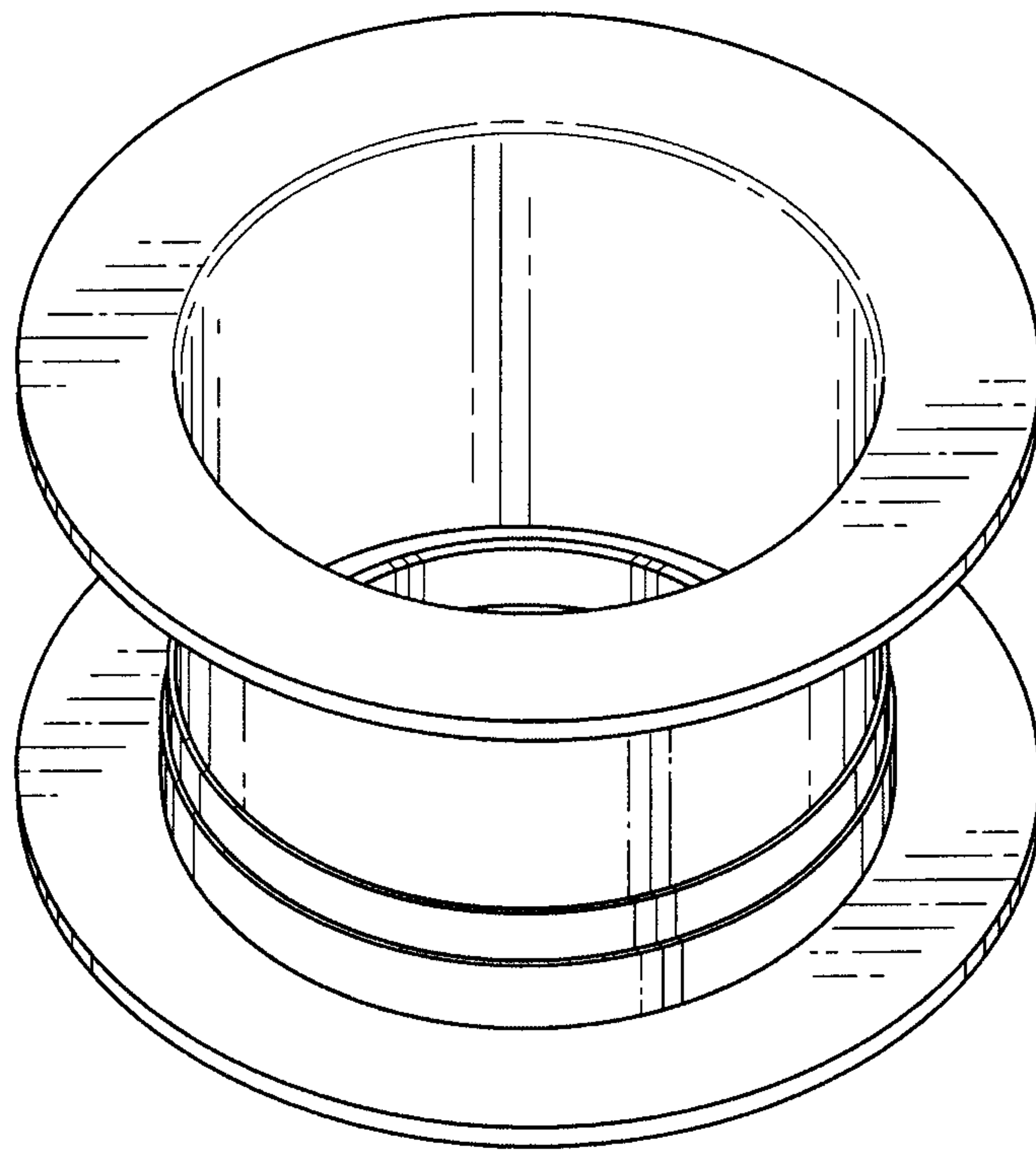


FIG. 1

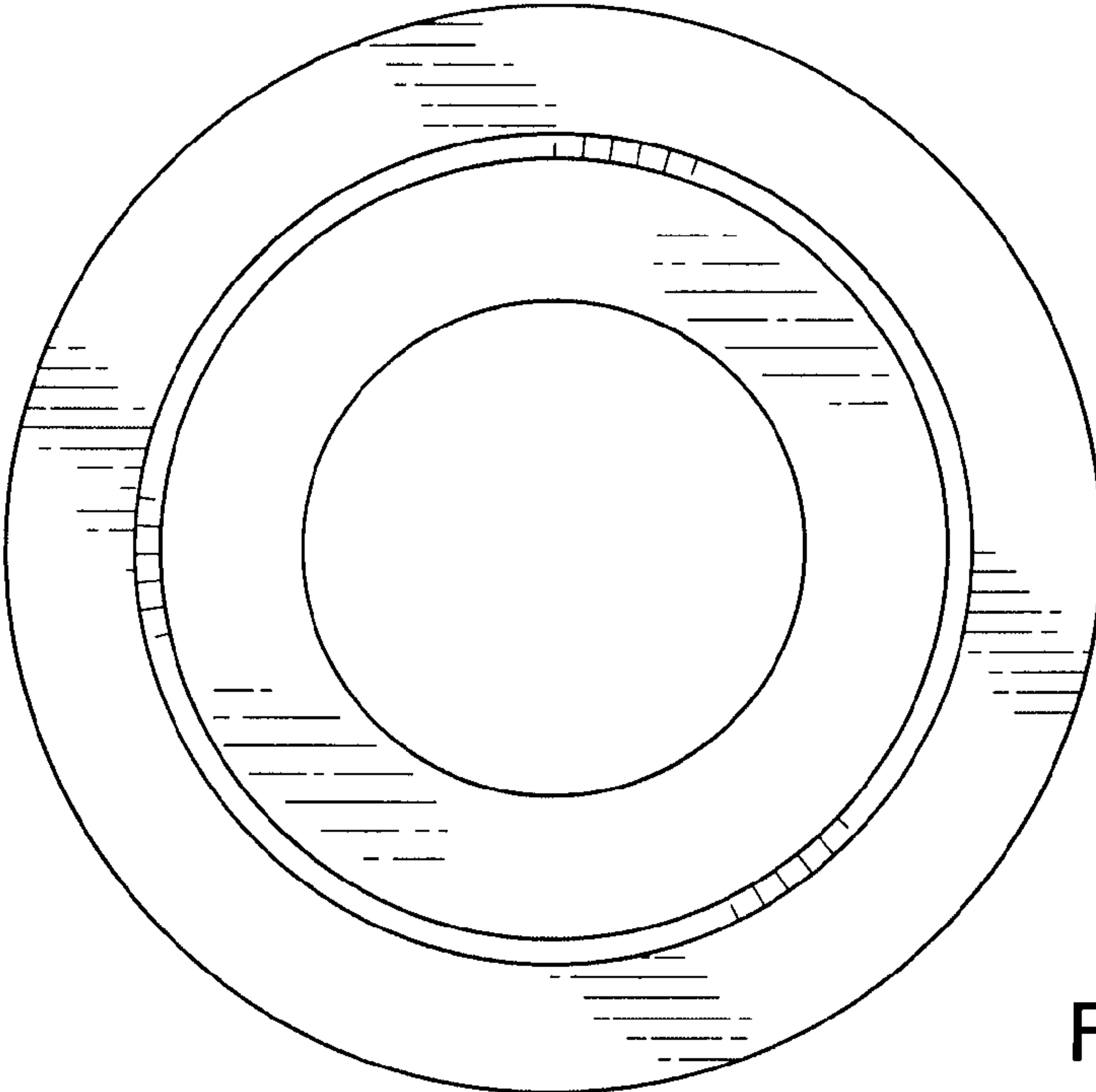


FIG. 2

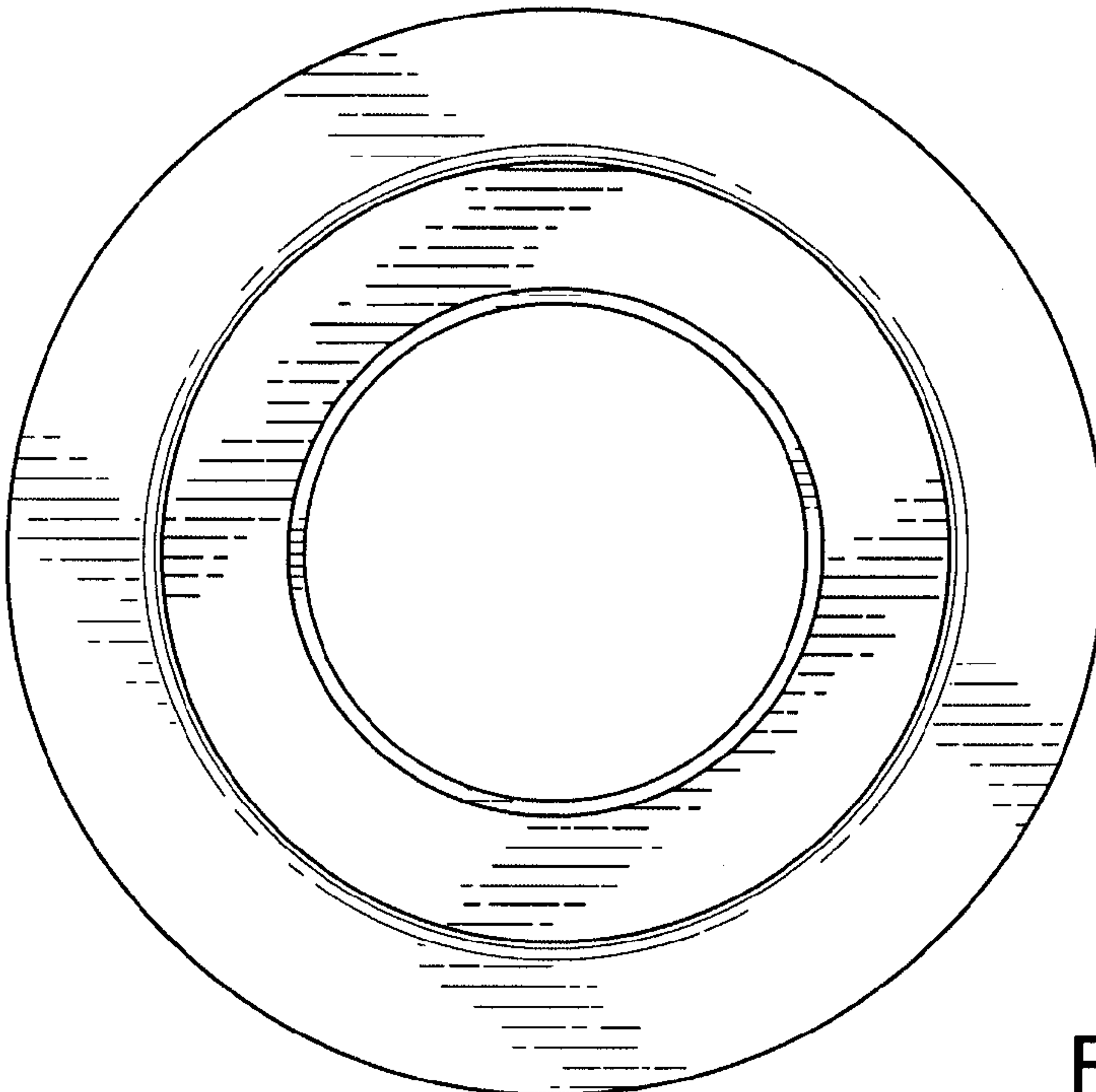


FIG. 3

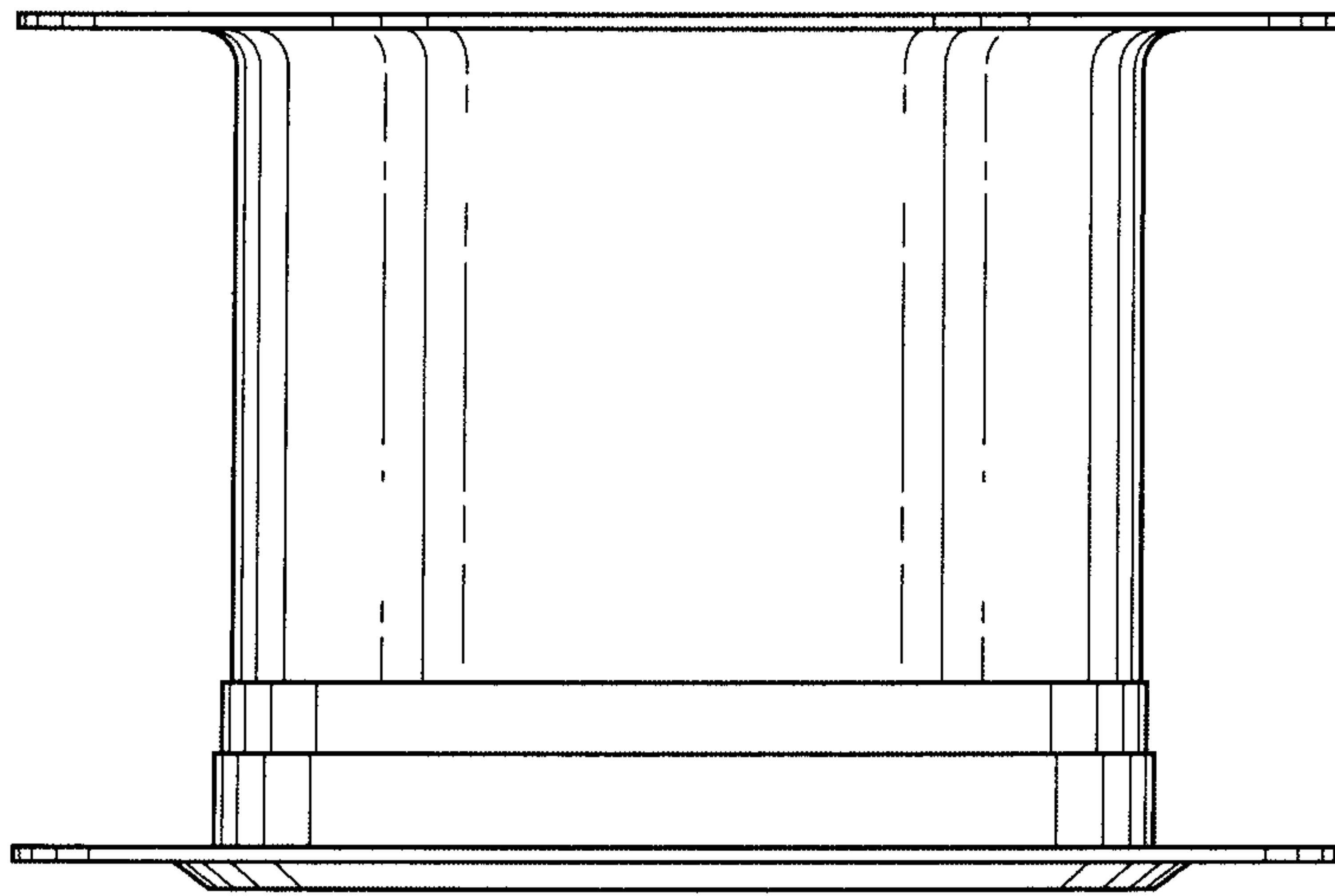


FIG. 4

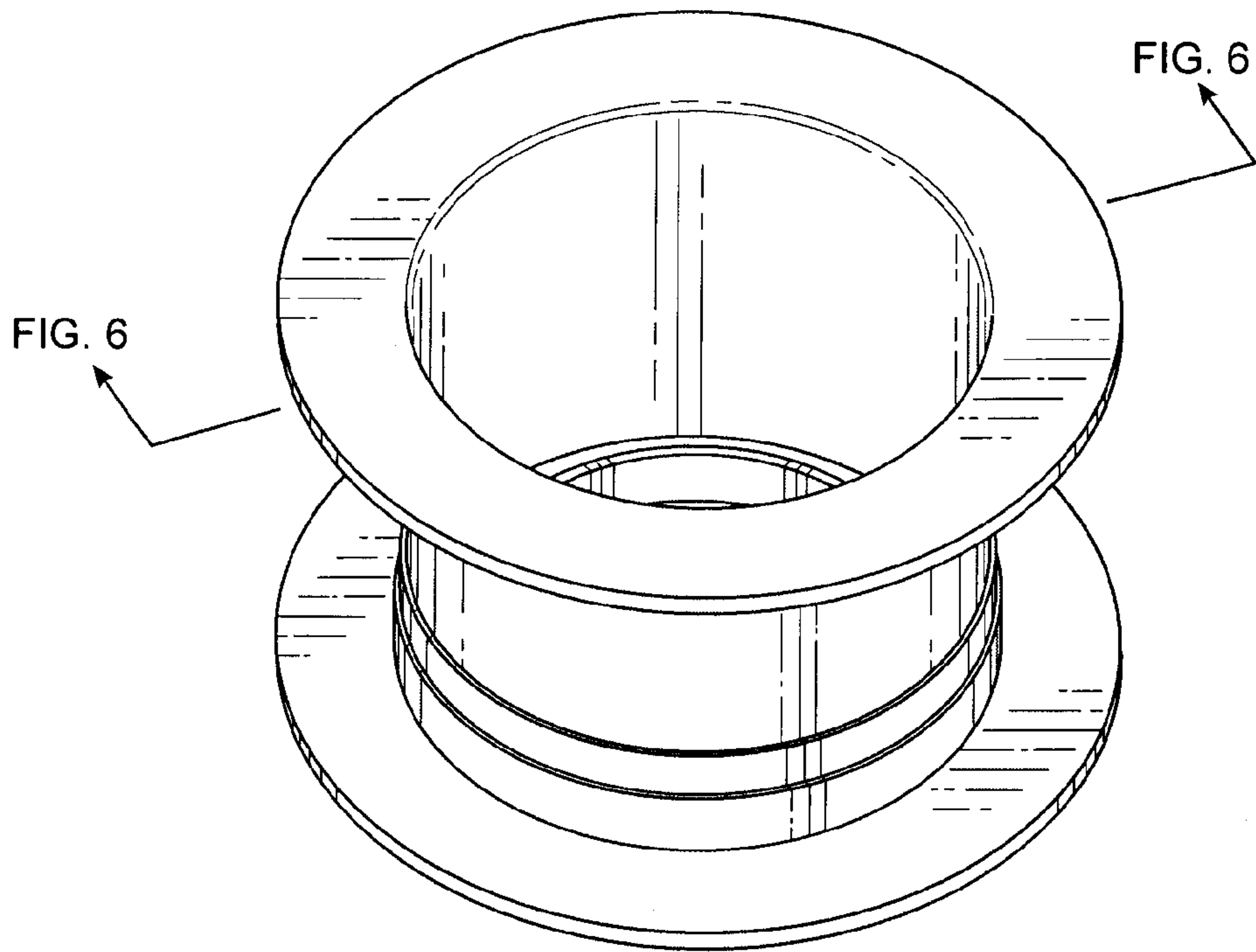


FIG. 5

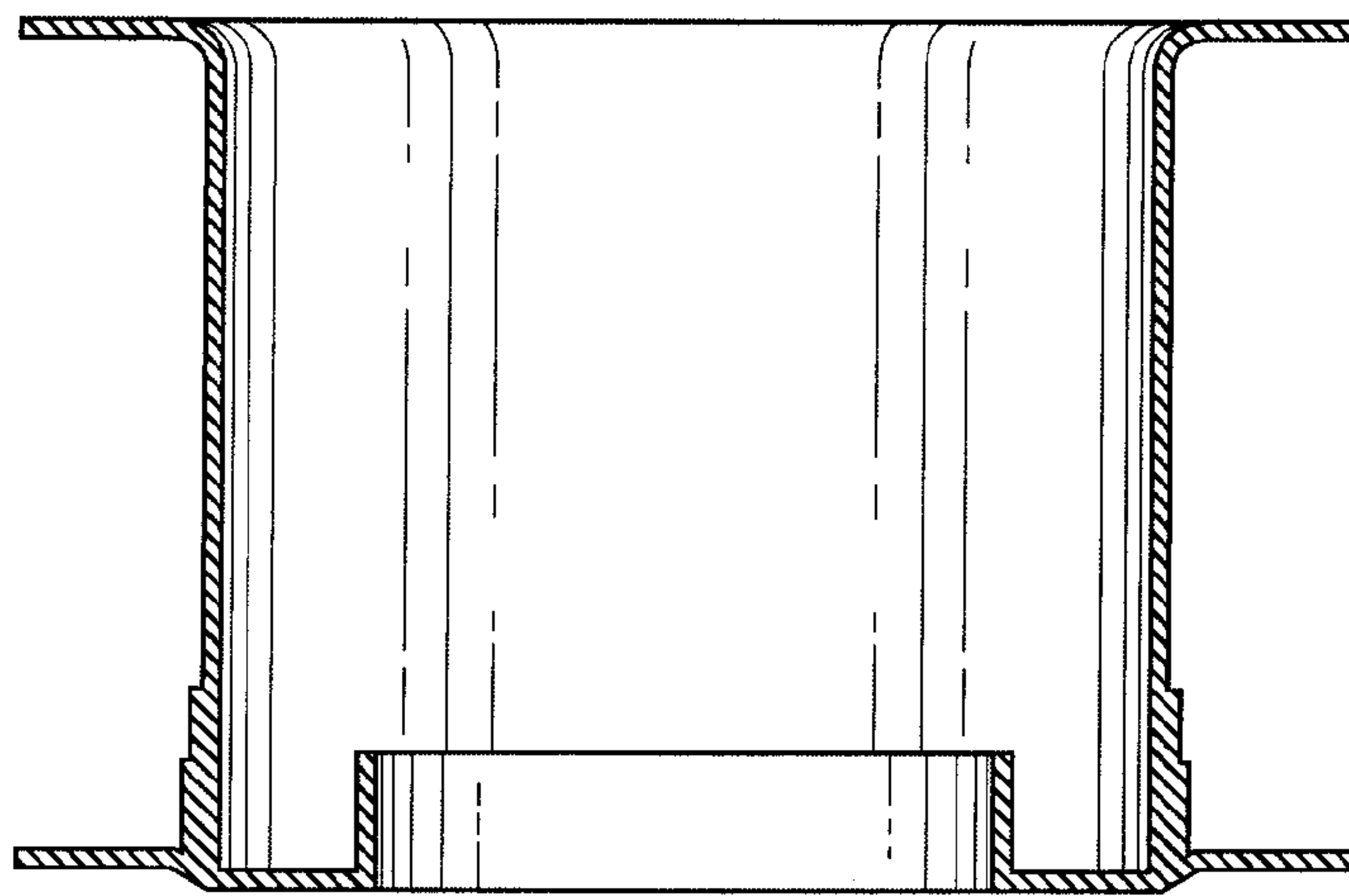


FIG. 6

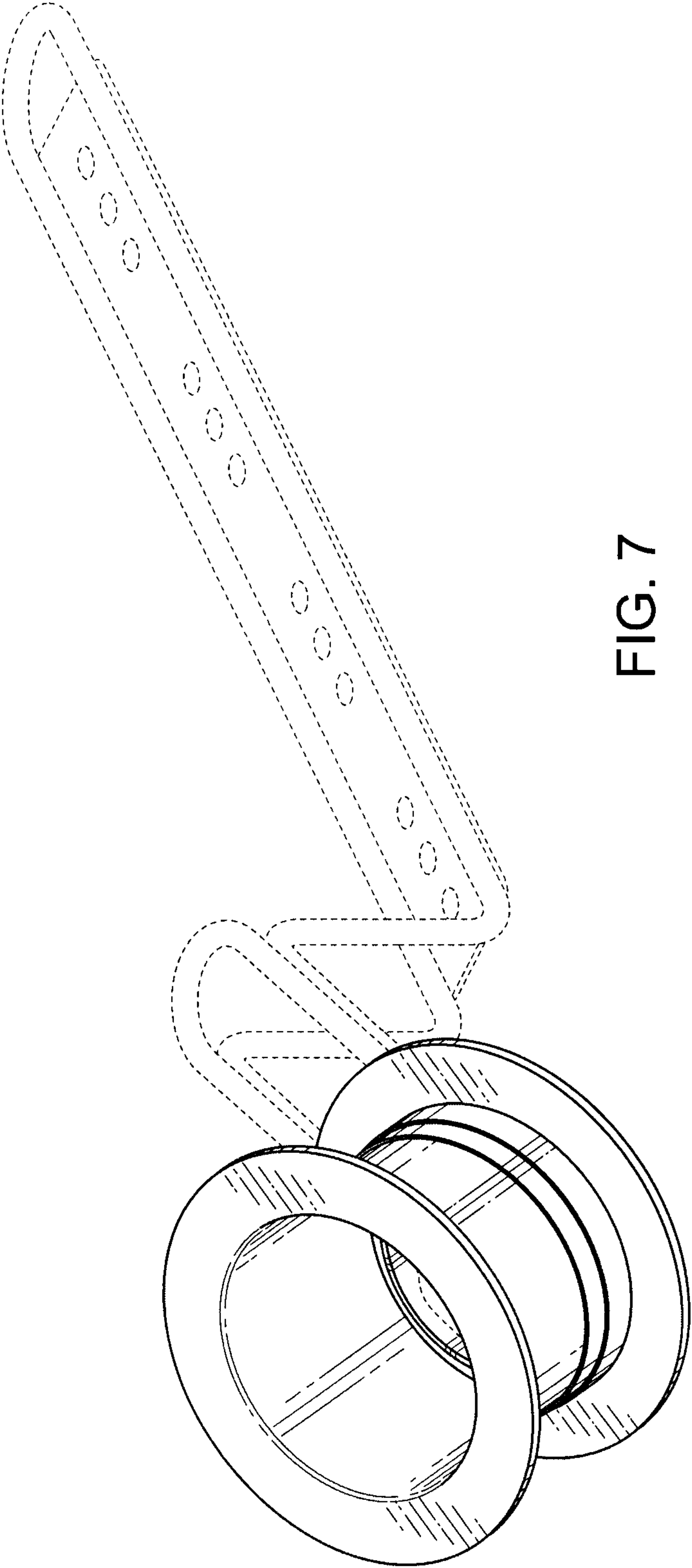


FIG. 7