



US00D699963S

(12) **United States Design Patent**  
**Hidalgo**

(10) **Patent No.:** **US D699,963 S**

(45) **Date of Patent:** **\*\* Feb. 25, 2014**

(54) **ARTICLE OF FURNITURE**

(71) Applicant: **Haworth, Inc.**, Holland, MI (US)

(72) Inventor: **Maria Patricia Urquiola Hidalgo**,  
Milan (IT)

(73) Assignee: **Haworth, Inc.**, Holland, MI (US)

(\*\*) Term: **14 Years**

(21) Appl. No.: **29/456,834**

(22) Filed: **Jun. 4, 2013**

(51) **LOC (10) Cl.** ..... **06-01**

(52) **U.S. Cl.**  
USPC ..... **D6/381**

(58) **Field of Classification Search**  
USPC ..... D6/334-338, 349, 355, 361, 368-370,  
D6/376, 379-381, 716, 716.1, 716.2;  
297/16.1, 42, 94, 135, 175, 232, 233,  
297/350, 351, 445.1, 448.1, 448.2, 451.9;  
5/12.1, 12.2

See application file for complete search history.

(56) **References Cited**

**U.S. PATENT DOCUMENTS**

D320,315 S *	10/1991	Totzek .....	D6/367
D390,021 S *	2/1998	Smith .....	D6/361
D408,645 S *	4/1999	Smith .....	D6/377
D444,305 S *	7/2001	Mourgue .....	D6/335
D444,957 S *	7/2001	Kagan .....	D6/377
D446,962 S *	8/2001	Mourgue .....	D6/381

D472,067 S *	3/2003	Nicoletti .....	D6/381
D563,112 S *	3/2008	Swanson .....	D6/381
D569,648 S *	5/2008	Weiss .....	D6/381
D574,162 S *	8/2008	Hoppert et al. ....	D6/381
D576,820 S *	9/2008	Priestman .....	D6/381
D578,318 S *	10/2008	Laflamme .....	D6/381
D591,072 S *	4/2009	Natuzzi .....	D6/381
D643,226 S *	8/2011	Kanthasamy .....	D6/381

\* cited by examiner

*Primary Examiner* — Sandra Snapp

(74) *Attorney, Agent, or Firm* — Warner Norcross & Judd  
LLP

(57) **CLAIM**

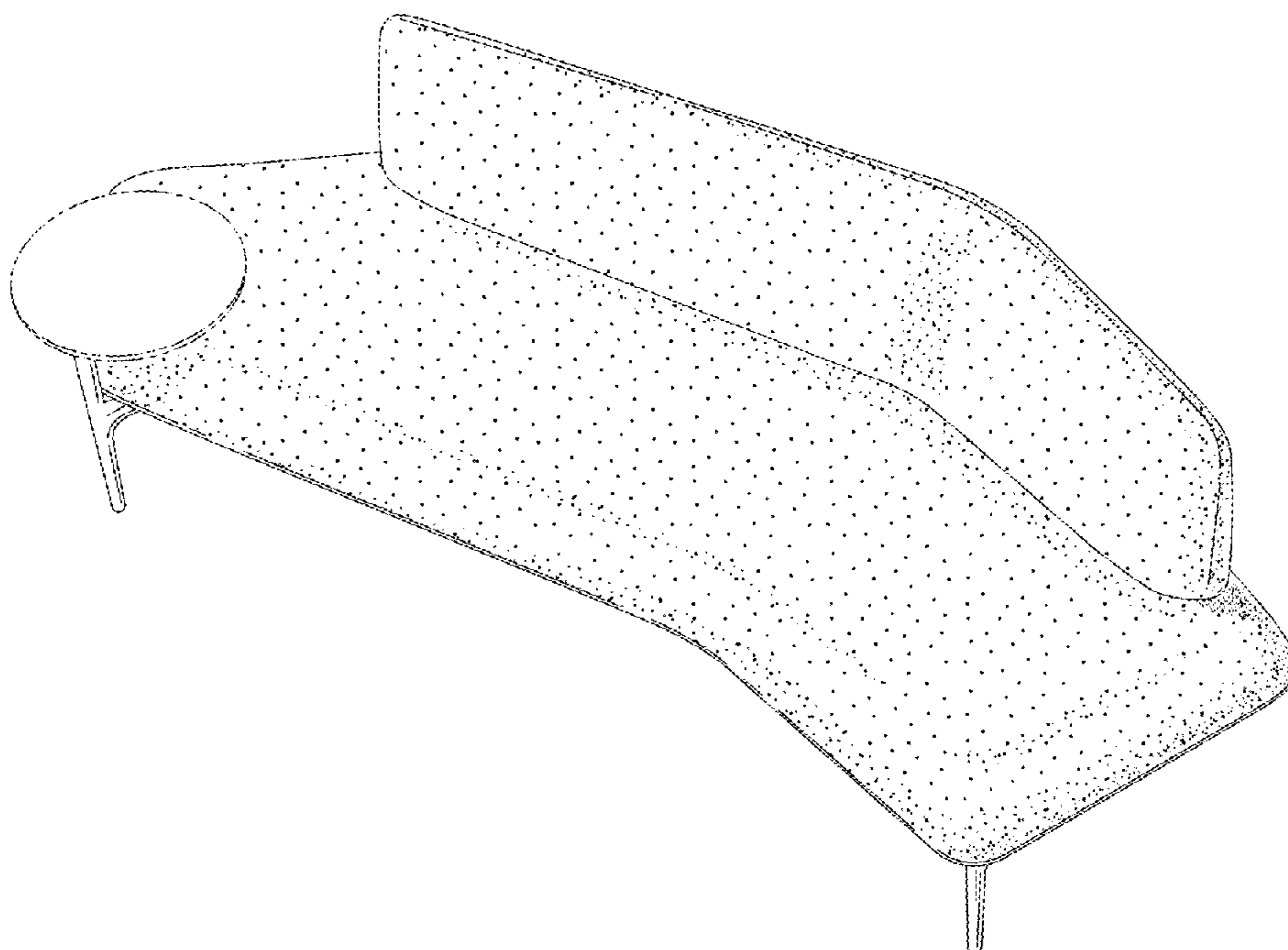
The ornamental design for an article of furniture, as shown  
and described.

**DESCRIPTION**

FIG. 1 is a perspective view of the article of furniture embody-  
ing the new design;  
FIG. 2 is a right side view thereof;  
FIG. 3 is a left side view thereof;  
FIG. 4 is a front view thereof;  
FIG. 5 is a rear view thereof;  
FIG. 6 is a top view thereof; and,  
FIG. 7 is a bottom view thereof.

The portions shown in phantom lines in FIGS. 1-7 are shown  
for environmental purposes only and form no part of the  
claimed design.

**1 Claim, 5 Drawing Sheets**



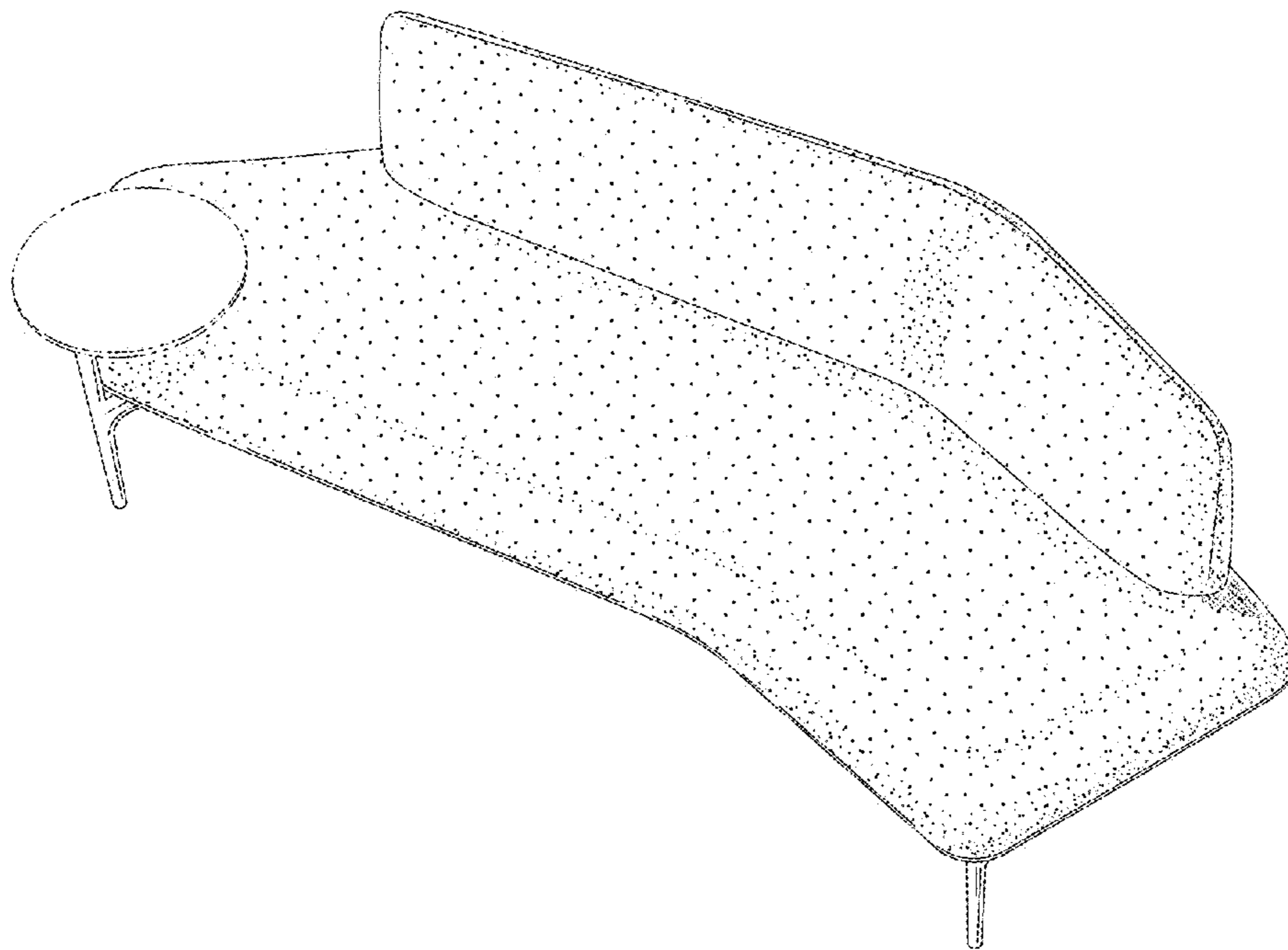


Fig. 1

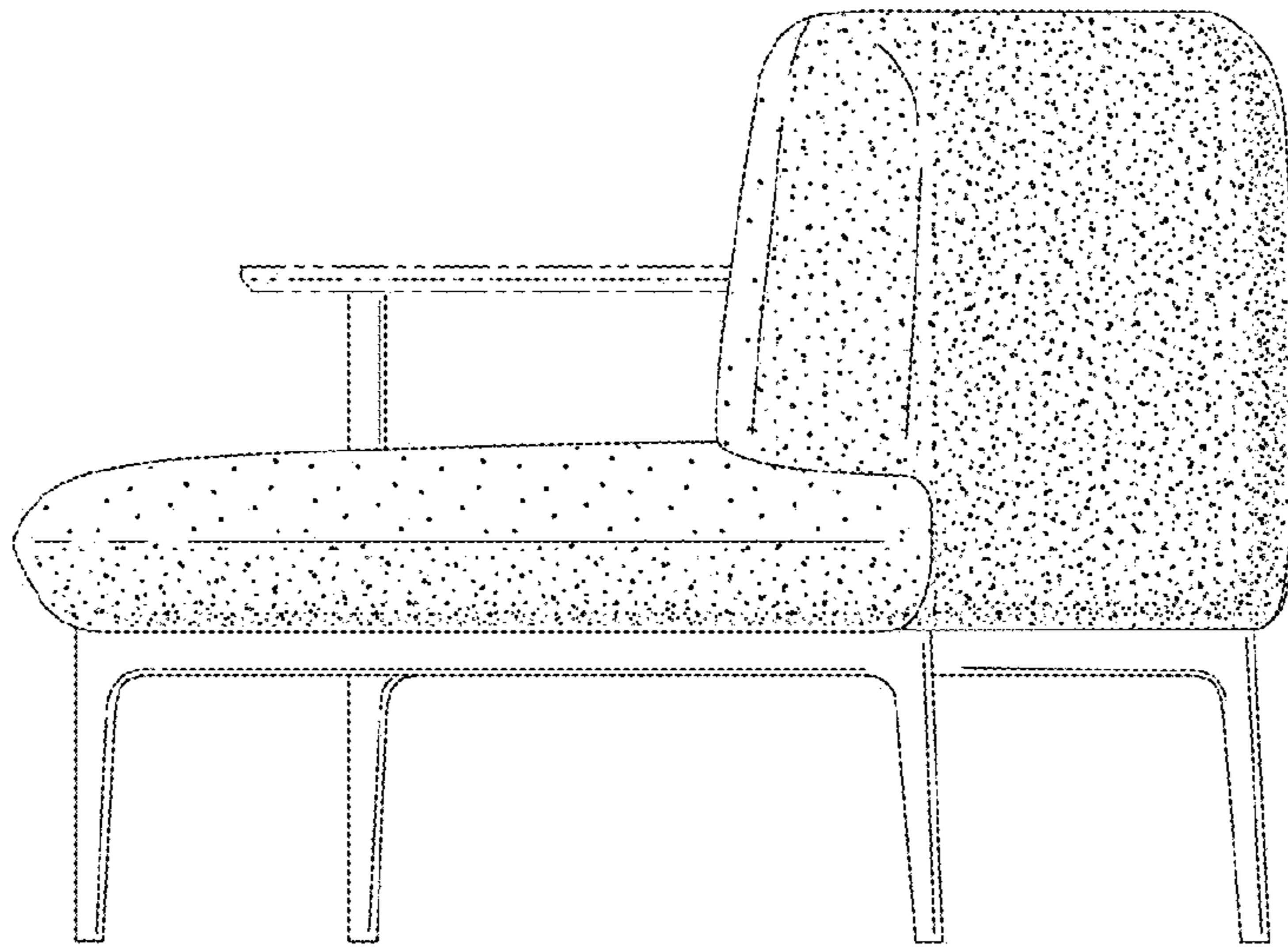


Fig. 2

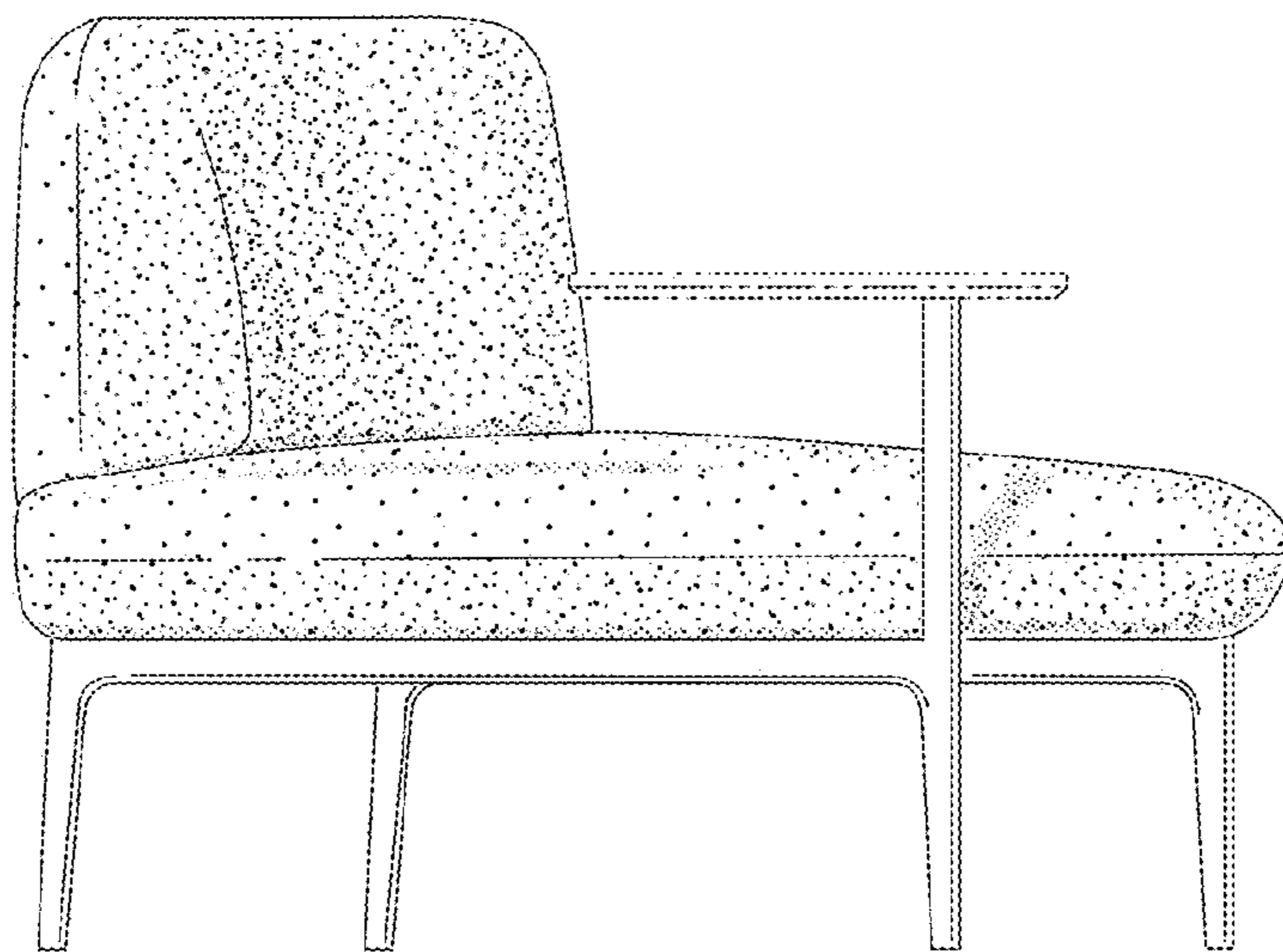


Fig. 3

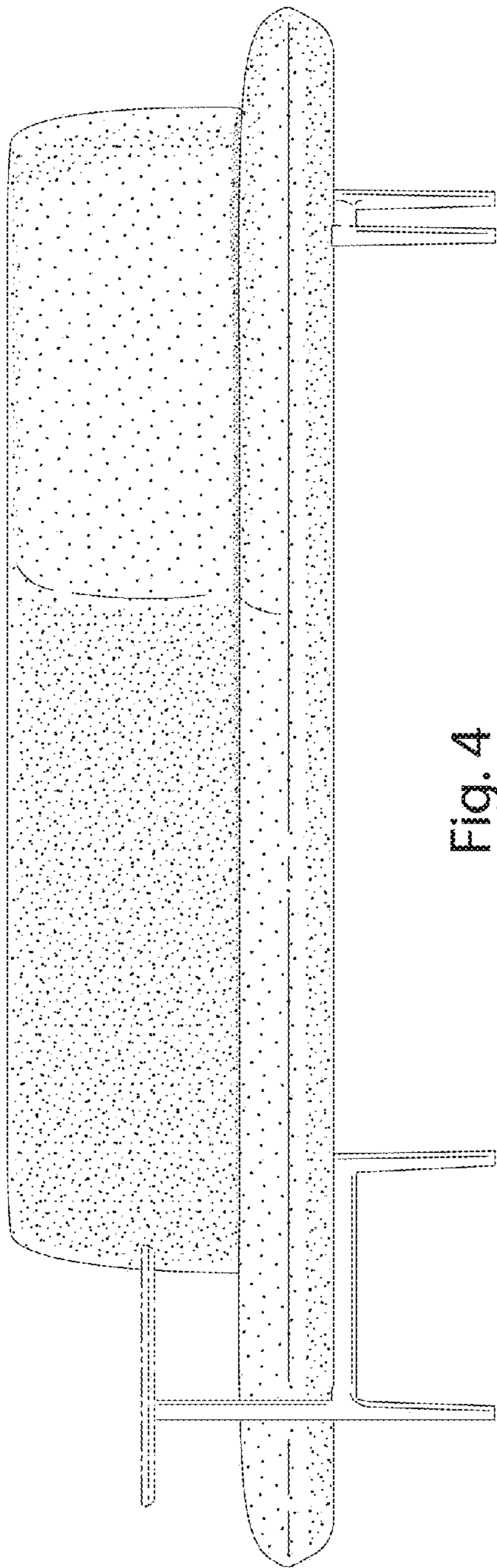


Fig. 4

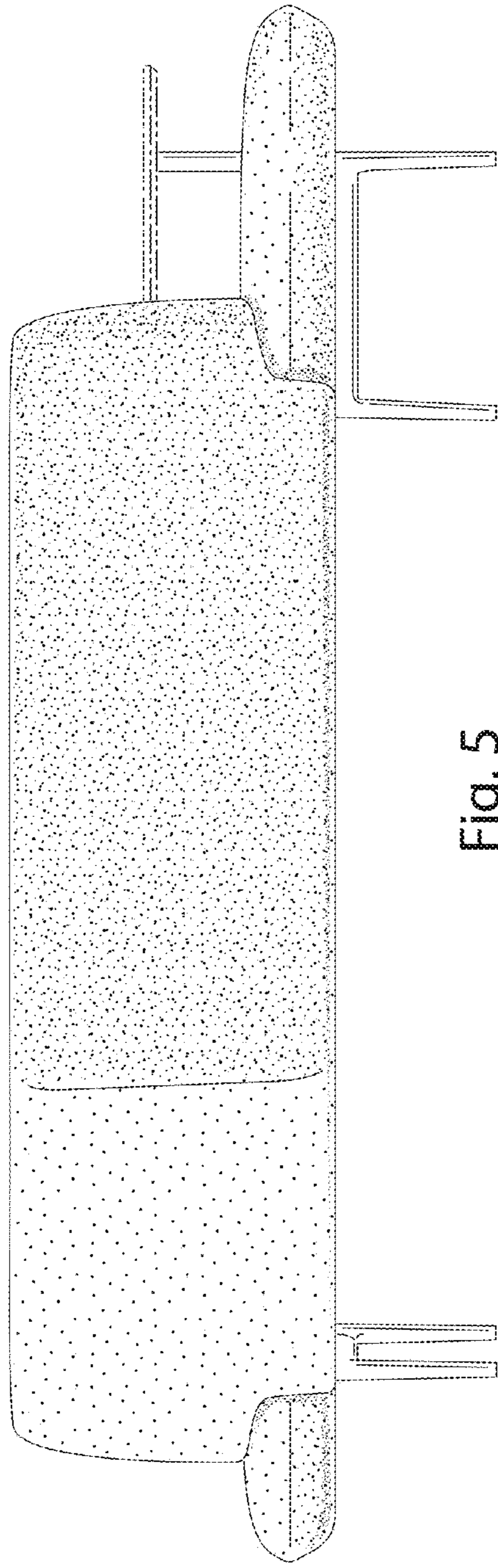


Fig. 5



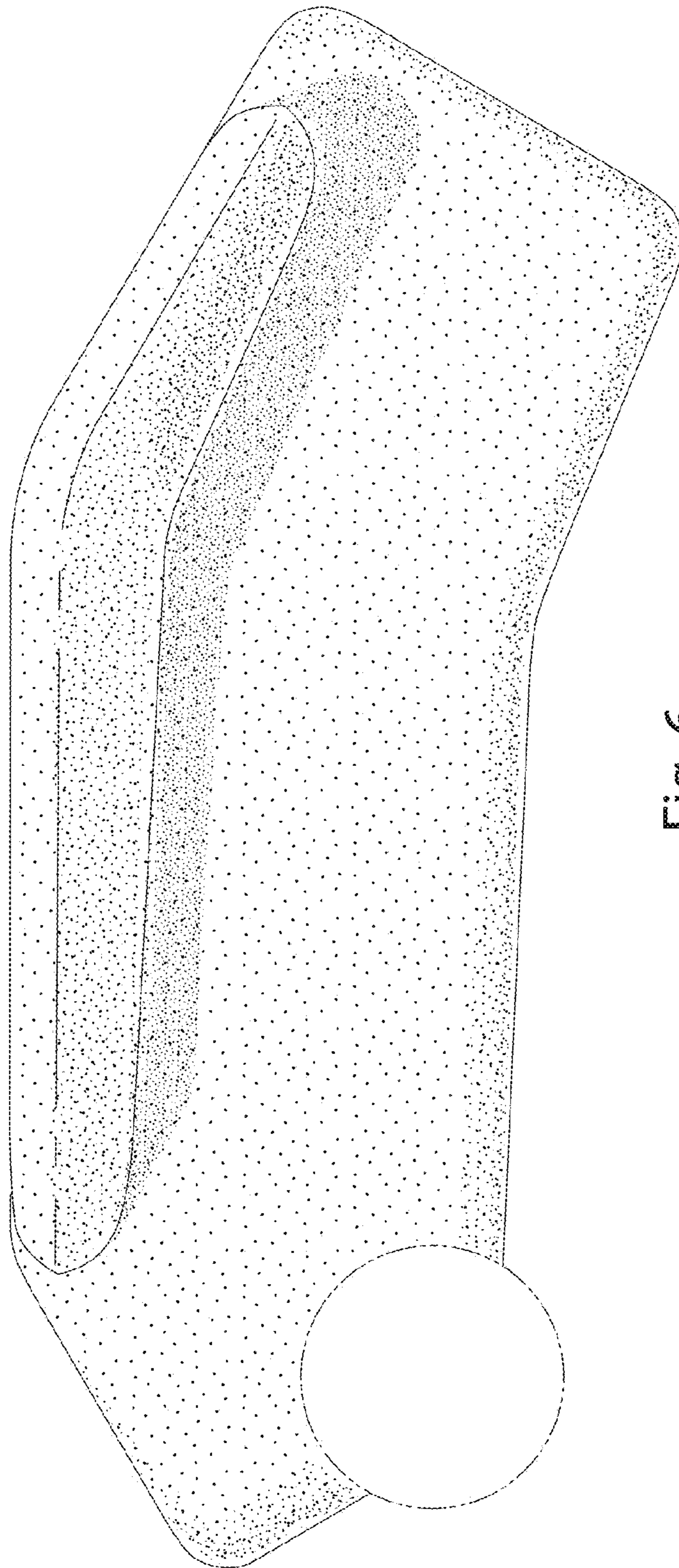


Fig. 6

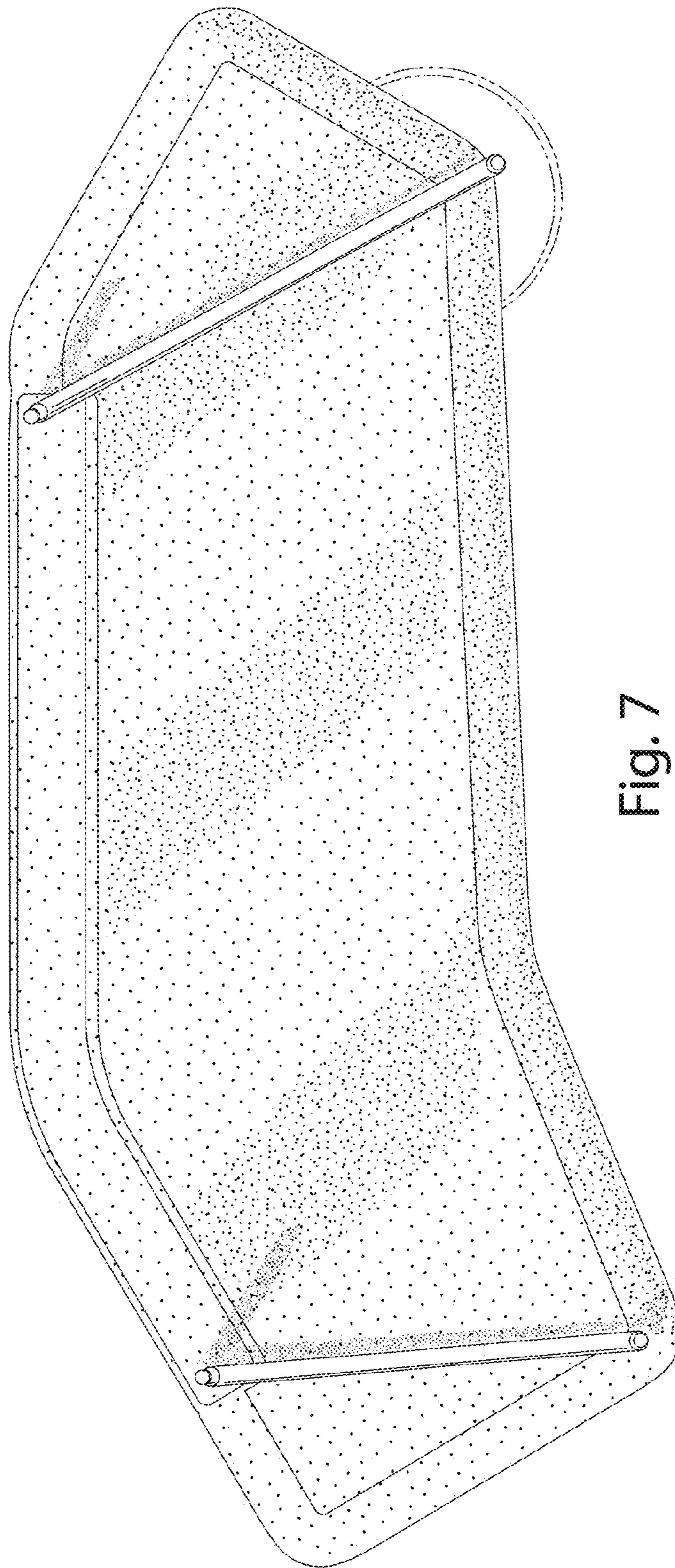


Fig. 7