

US00D699962S

(12) **United States Design Patent**  
**Muller**

(10) **Patent No.:** **US D699,962 S**

(45) **Date of Patent:** **\*\* Feb. 25, 2014**

(54) **CHAIR**

(71) Applicant: **Elite Manufacturing Corporation,**  
Santa Fe Springs, CA (US)

(72) Inventor: **Carl Muller,** Huntington Beach, CA  
(US)

(73) Assignee: **Elite Manufacturing Corporation,**  
Santa Fe Springs, CA (US)

(\*\*) Term: **14 Years**

(21) Appl. No.: **29/452,703**

(22) Filed: **Apr. 19, 2013**

(51) **LOC (10) Cl.** ..... **06-01**

(52) **U.S. Cl.**  
USPC ..... **D6/374**

(58) **Field of Classification Search**  
USPC ..... 297/239, 445.1, 446.1, 451.1, 452.38,  
297/452.48

See application file for complete search history.

(56) **References Cited**

**U.S. PATENT DOCUMENTS**

D273,641 S *	5/1984	Stephens	.....	D6/379
D379,563 S *	6/1997	Bally	.....	D6/374
D380,314 S *	7/1997	Chandler	.....	D6/380
D447,643 S *	9/2001	Zemp	.....	D6/374
D455,020 S *	4/2002	Davis	.....	D6/374
D523,255 S *	6/2006	Dettmann et al.	.....	D6/380
D555,381 S *	11/2007	Swanson	.....	D6/380

D603,616 S *	11/2009	Kubryk	.....	D6/374
D629,226 S *	12/2010	Thorfinnson	.....	D6/379
D637,425 S *	5/2011	Muller	.....	D6/716.4
D637,426 S *	5/2011	Muller	.....	D6/716
D674,209 S *	1/2013	Muller	.....	D6/380

**OTHER PUBLICATIONS**

Conquest by J. Sabro for Pietro Constantini.  
Dress Chair by Shin Azumi for Fornasarig.  
Madeira Chair by Marc Sabler for Skitsch.  
Monroe by Elite Manufacturing.  
Vera by Elite Manufacturing.

\* cited by examiner

*Primary Examiner* — Mimoso De

(74) *Attorney, Agent, or Firm* — Stetina Brunda Garred &  
Brucker

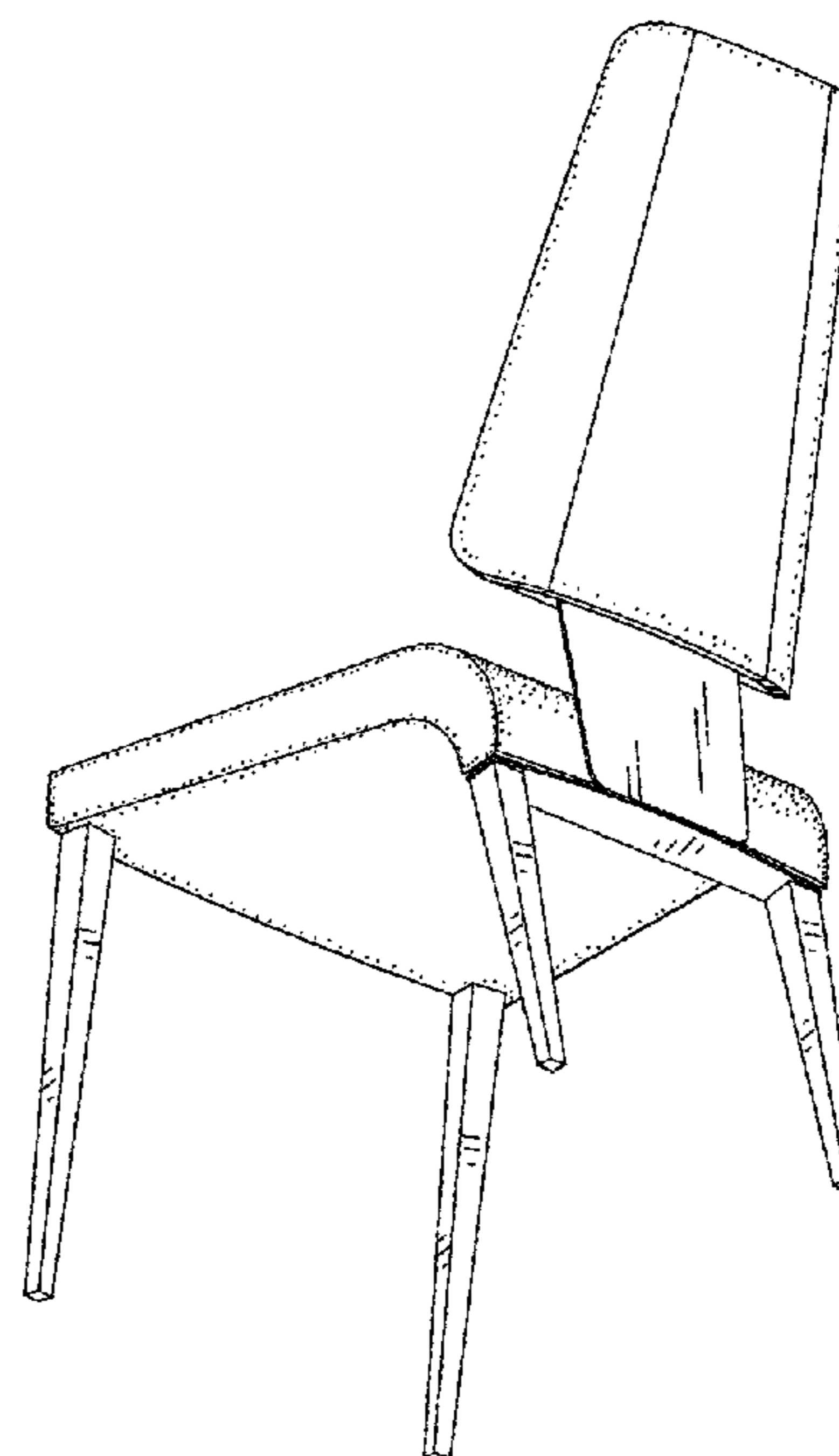
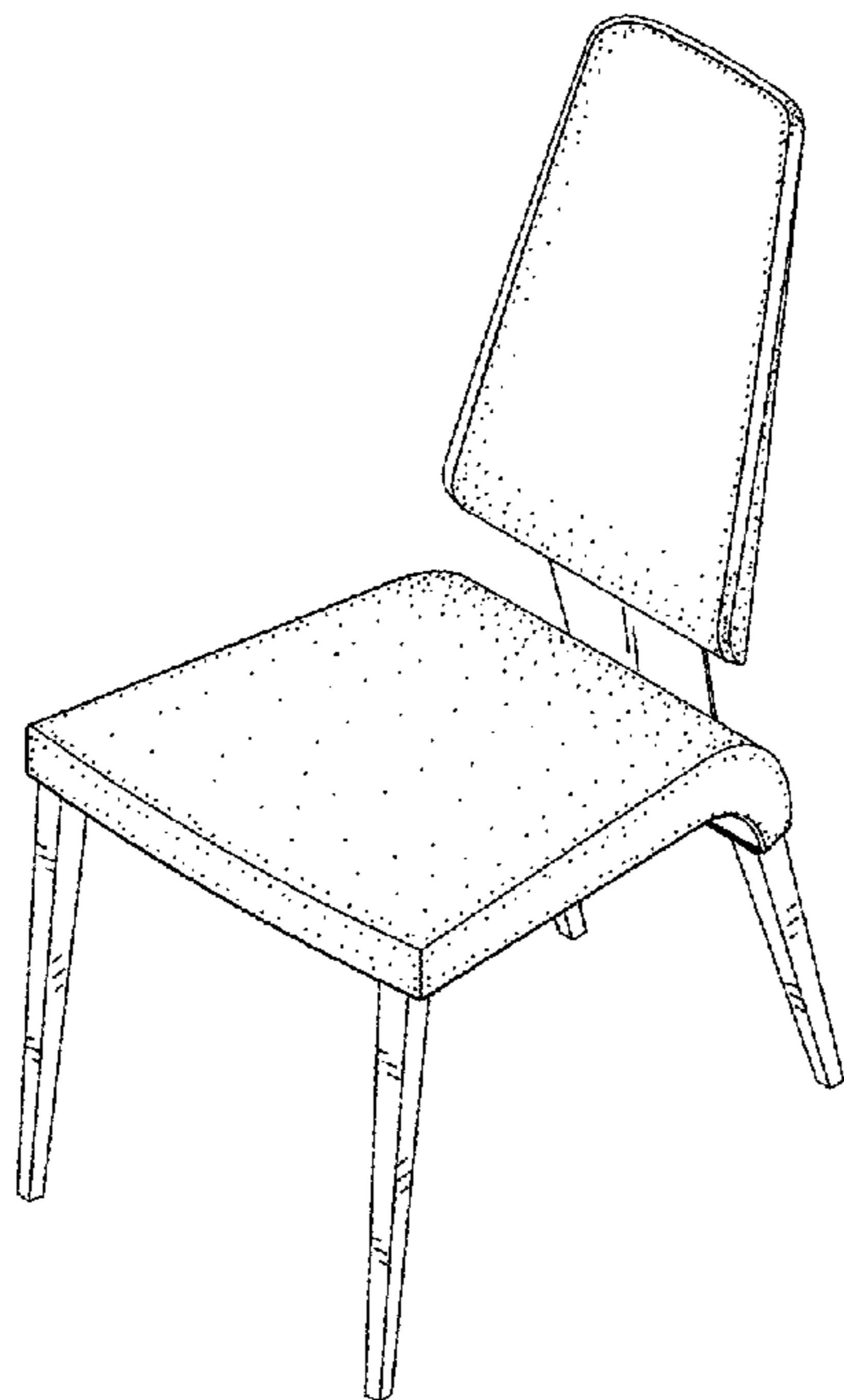
(57) **CLAIM**

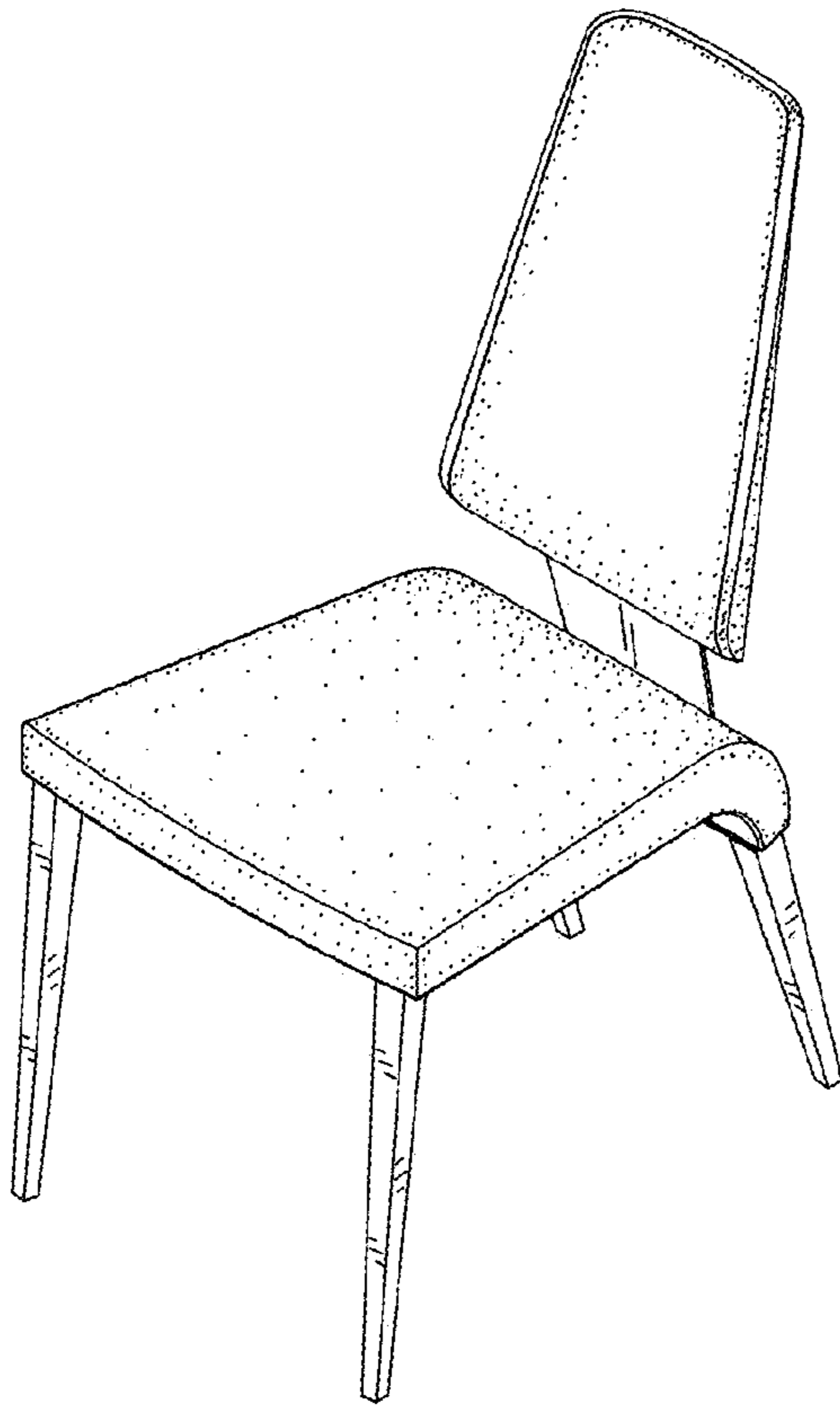
The ornamental design for a chair, as shown and described.

**DESCRIPTION**

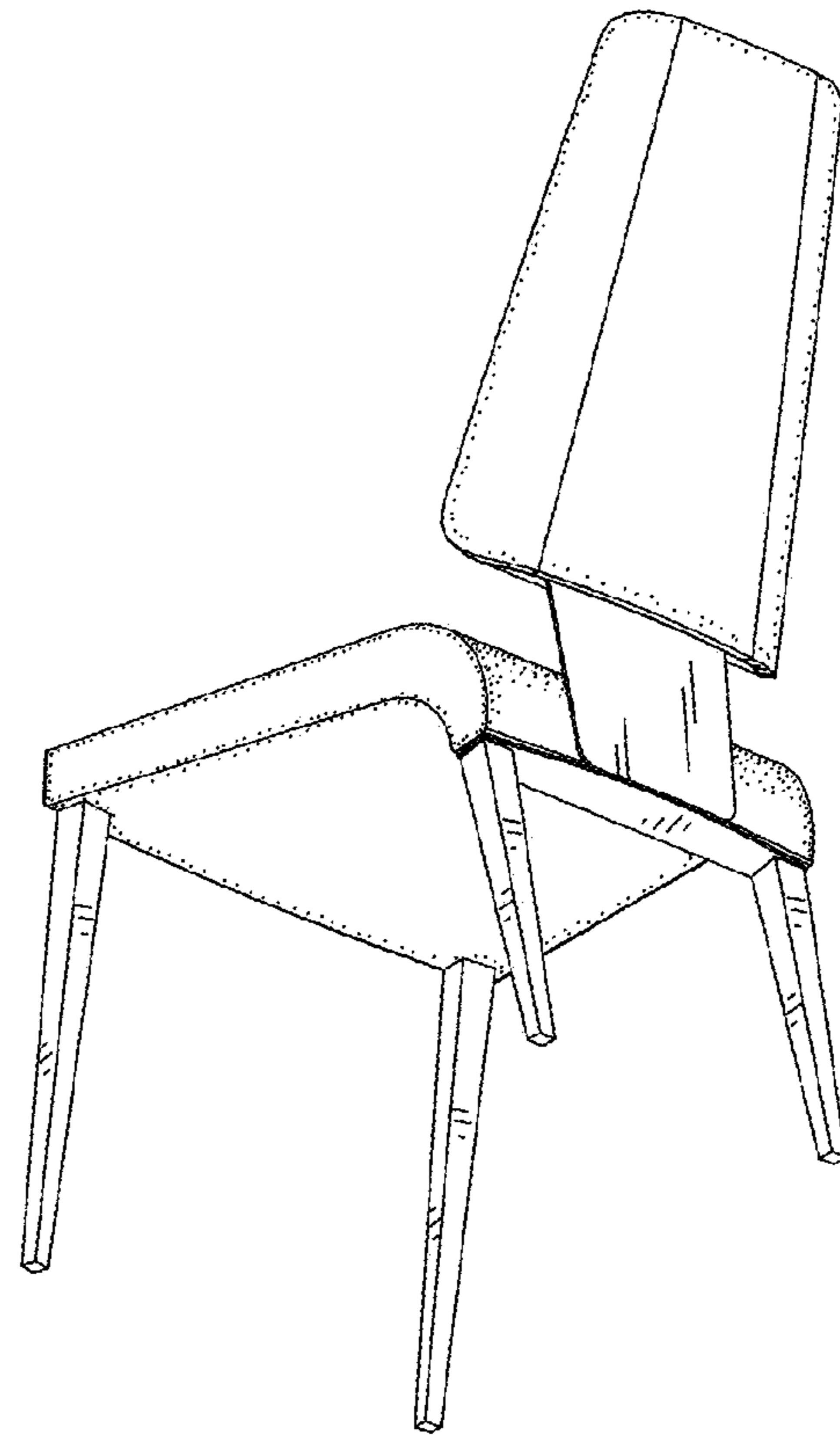
FIG. 1 is a top perspective view of the chair of the present invention showing my new design;  
FIG. 2 is a bottom perspective view thereof;  
FIG. 3 is a top plan view thereof;  
FIG. 4 is a front elevational view thereof;  
FIG. 5 is a side elevational view thereof;  
FIG. 6 is a rear elevational view thereof; and,  
FIG. 7 is a bottom plan view thereof.

**1 Claim, 2 Drawing Sheets**

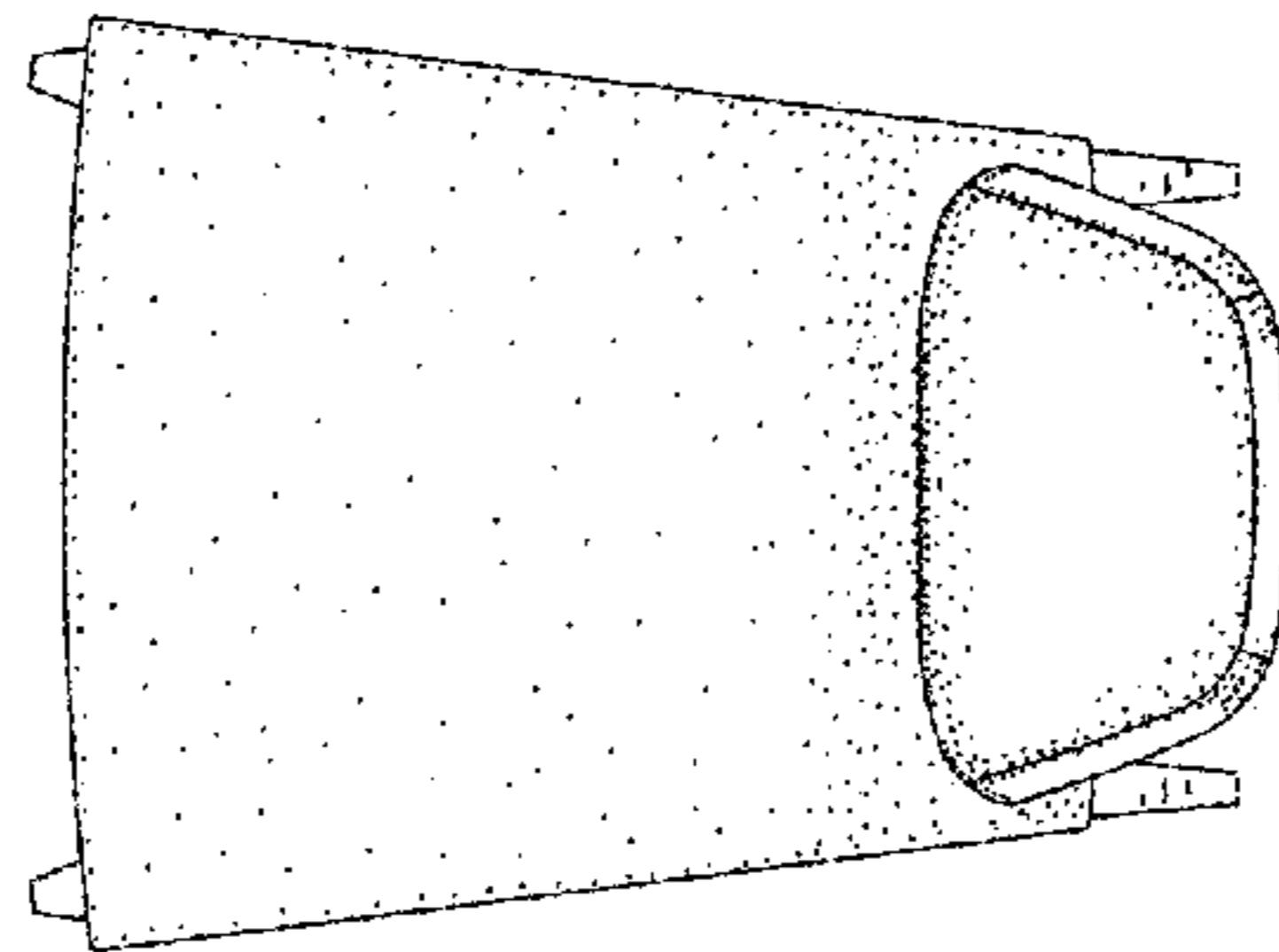




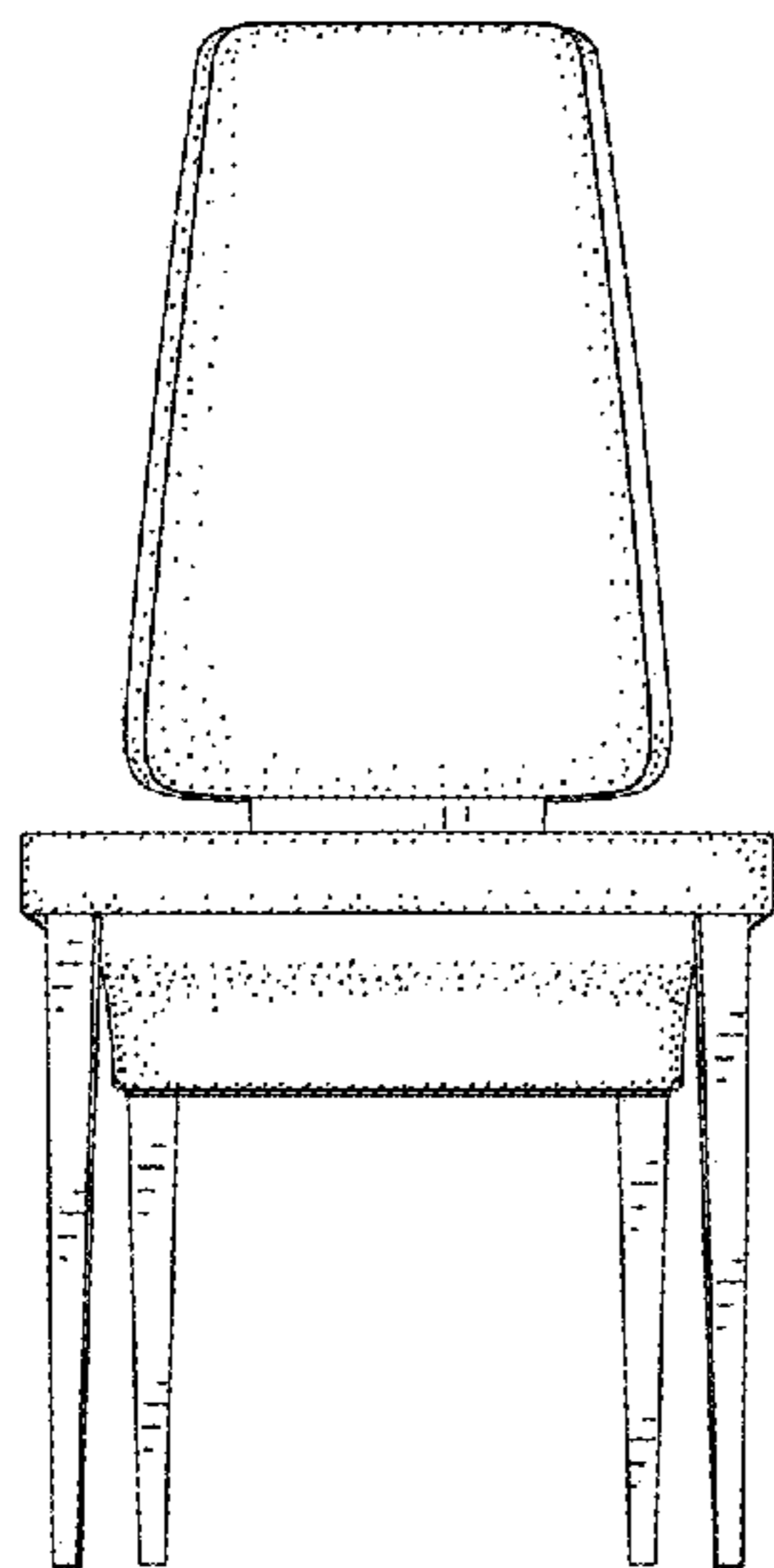
*Fig. 1*



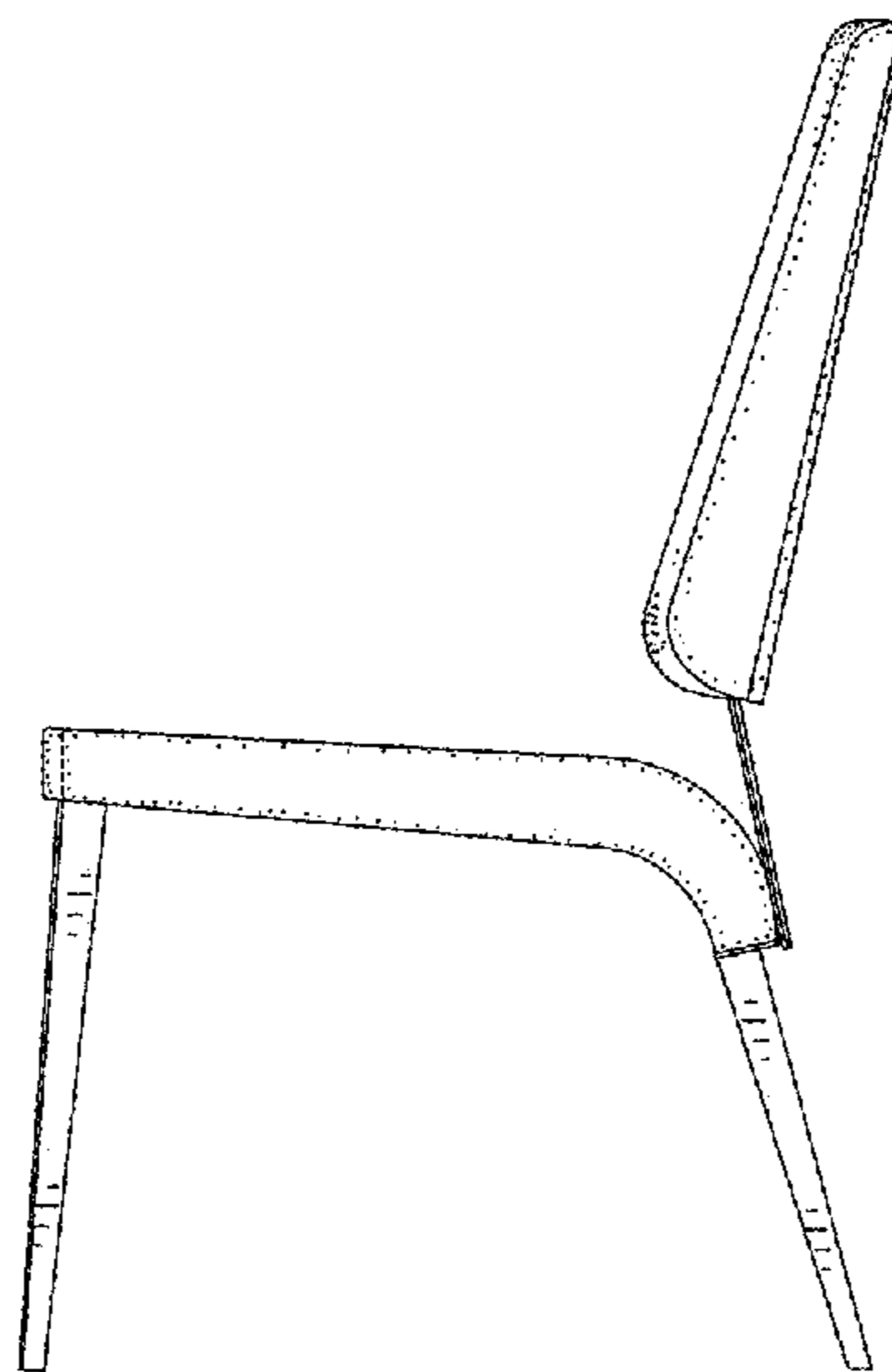
*Fig. 2*



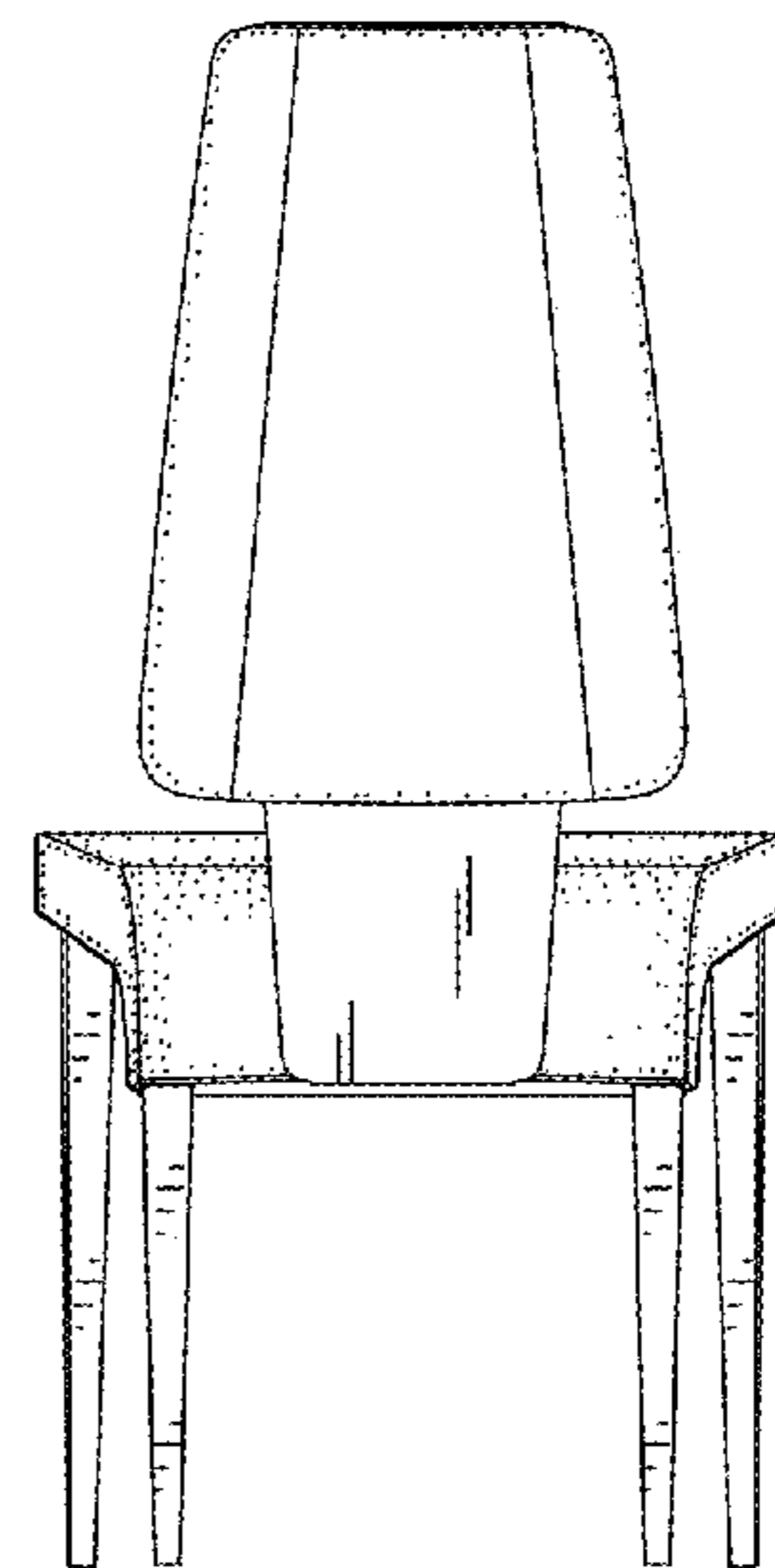
*Fig. 3*



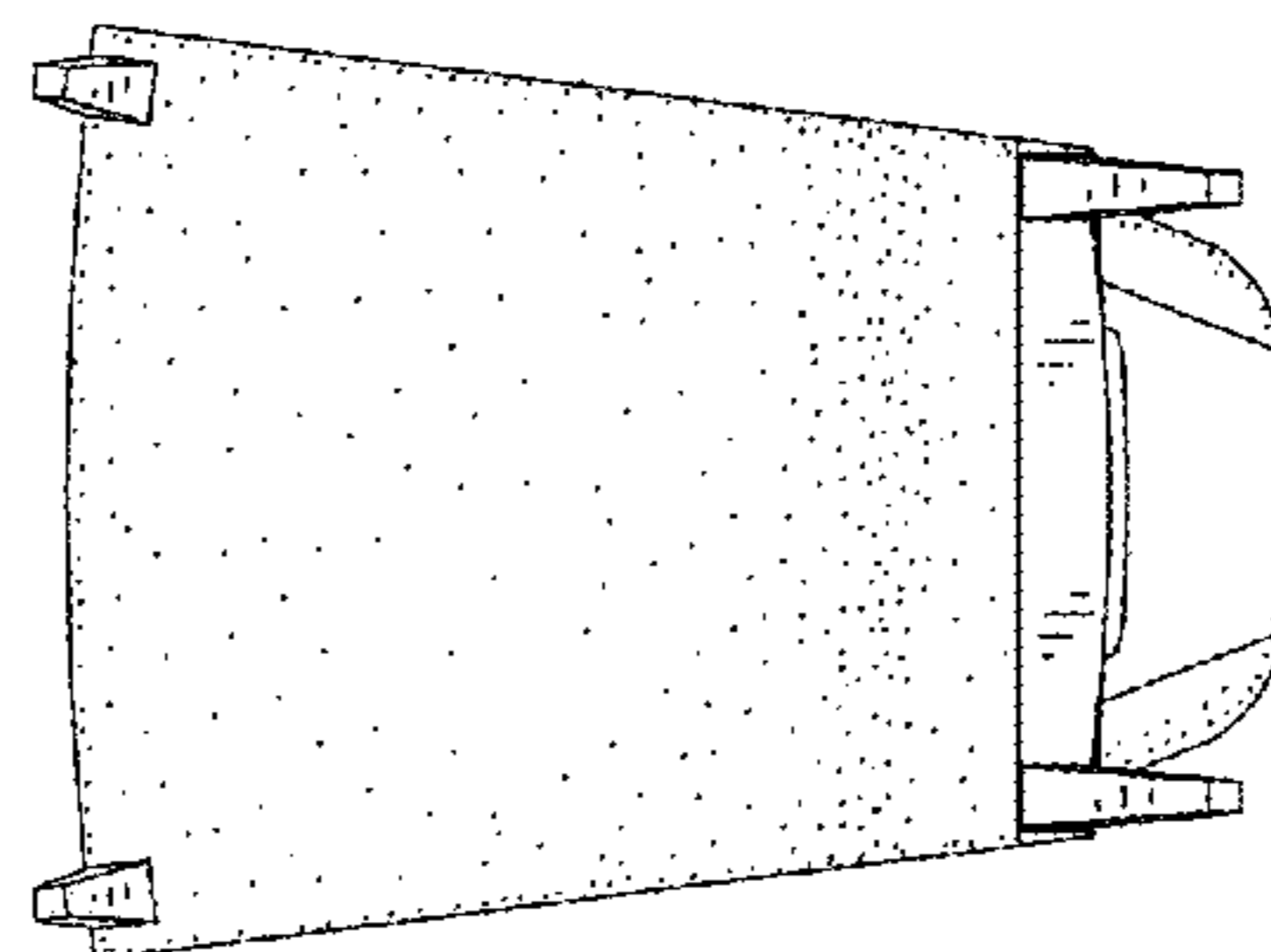
*Fig. 4*



*Fig. 5*



*Fig. 6*



*Fig. 7*