



US00D699960S

(12) **United States Design Patent**
Potter

(10) **Patent No.:** **US D699,960 S**

(45) **Date of Patent:** **** Feb. 25, 2014**

(54) **RECLINING CHAIR**

(71) Applicant: **Human Touch, LLC**, Long Beach, CA (US)

(72) Inventor: **David Potter**, Los Angeles, CA (US)

(73) Assignee: **Human Touch, LLC**, Long Beach, CA (US)

(**) Term: **14 Years**

(21) Appl. No.: **29/441,107**

(22) Filed: **Dec. 31, 2012**

(51) **LOC (10) Cl.** **06-01**

(52) **U.S. Cl.**
USPC **D6/367**

(58) **Field of Classification Search**
USPC D6/334-336, 360, 361, 367, 371, 373, D6/379, 375, 716, 716.1, 716.2, 716.3, D6/716.4, 717; 297/68, 271.1, 271.2, 297/271.3, 353, 354.1, 411.45, 423.19, 297/423.3; 601/90, 91, 97, 98, 99, 102, 601/115, 116, 148, 149

See application file for complete search history.

(56) **References Cited**

U.S. PATENT DOCUMENTS

D372,800 S * 8/1996 Yamasaki D6/367
D517,338 S * 3/2006 Inada et al. D6/367

D531,424 S * 11/2006 Kusachi D6/367
D532,984 S * 12/2006 Bennett D6/367
D534,734 S * 1/2007 Bennett D6/367
D541,064 S * 4/2007 Miller et al. D6/367
D571,110 S * 6/2008 Potter D6/335
D586,138 S * 2/2009 Potter D6/367

* cited by examiner

Primary Examiner — Mimoso De

(74) *Attorney, Agent, or Firm* — Christie, Parker & Hale, LLP

(57) **CLAIM**

The ornamental design for reclining chair, as shown and described.

DESCRIPTION

FIG. 1 is a front perspective view of a reclining chair; FIG. 2 is a side view of the reclining chair of FIG. 1; FIG. 3 is a front view of the reclining chair of FIG. 1; FIG. 4 is a rear view of the reclining chair of FIG. 1; FIG. 5 is a top view of the reclining chair of FIG. 1; FIG. 6 is front perspective view of an alternate embodiment of the reclining chair of FIG. 1; FIG. 7 is a side view of the reclining chair of FIG. 6; FIG. 8 is a front view of the reclining chair of FIG. 6; FIG. 9 is a rear view of the reclining chair of FIG. 6; and, FIG. 10 is a top view of the reclining chair of FIG. 6.

1 Claim, 10 Drawing Sheets

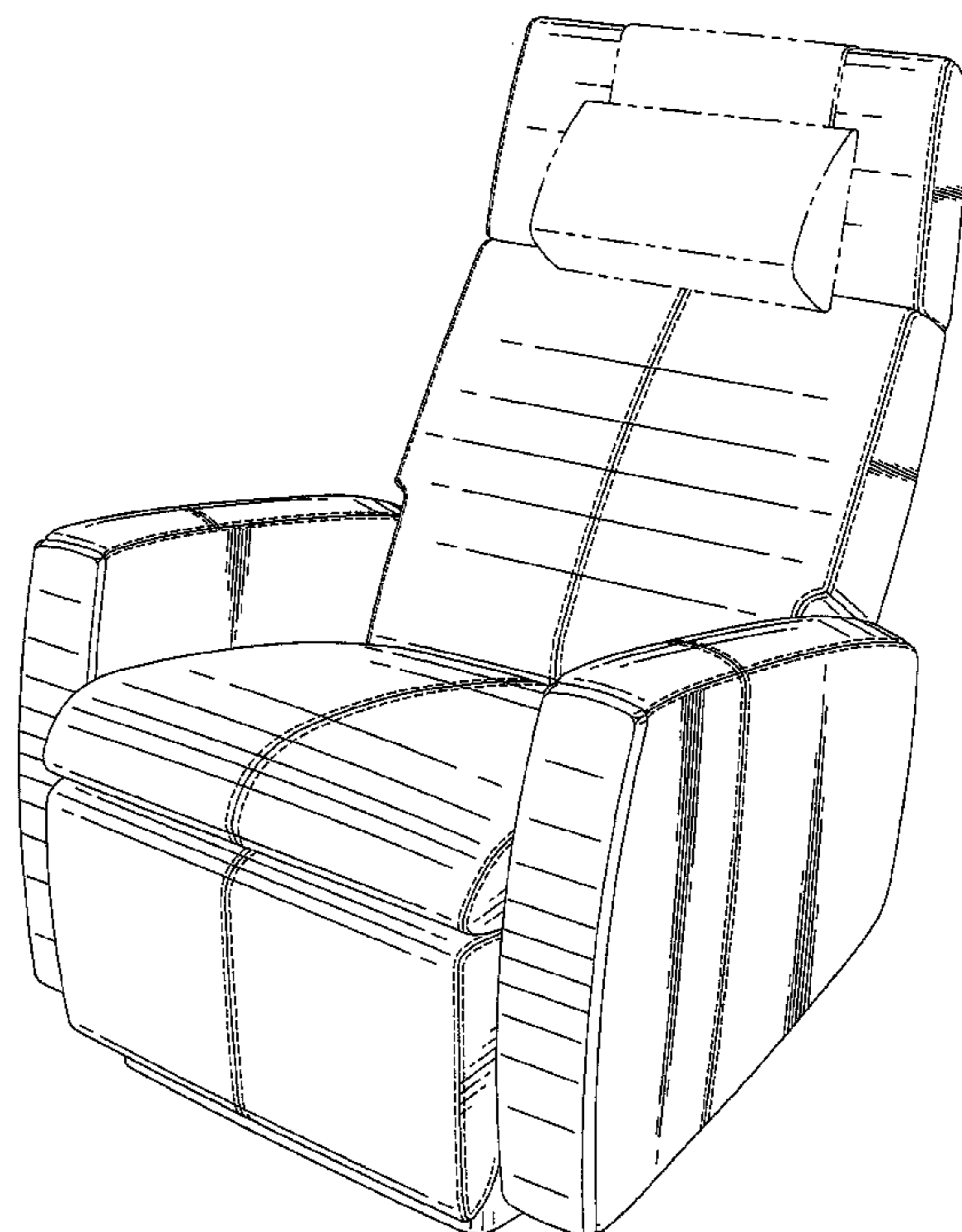
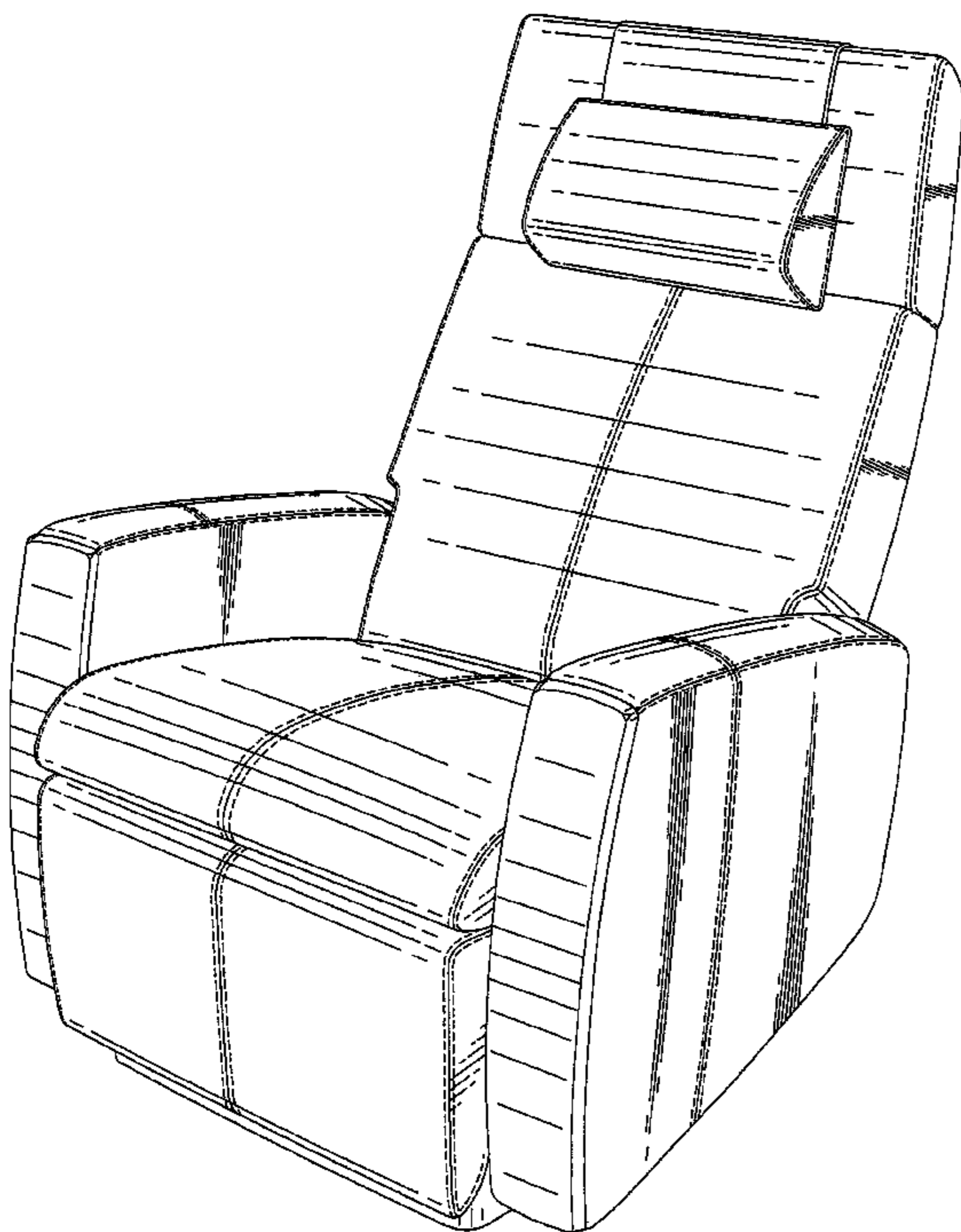


FIG. 1

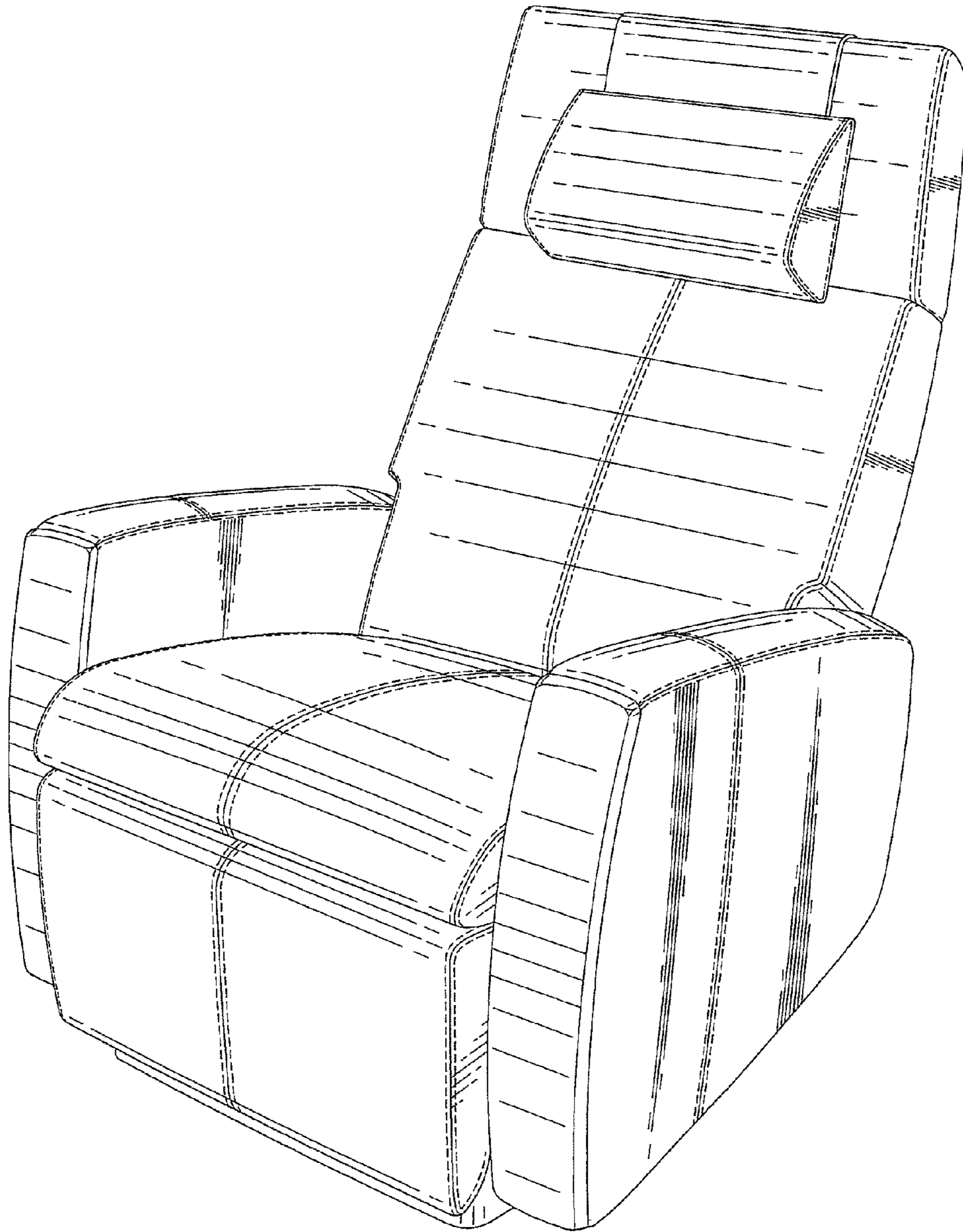


FIG. 2

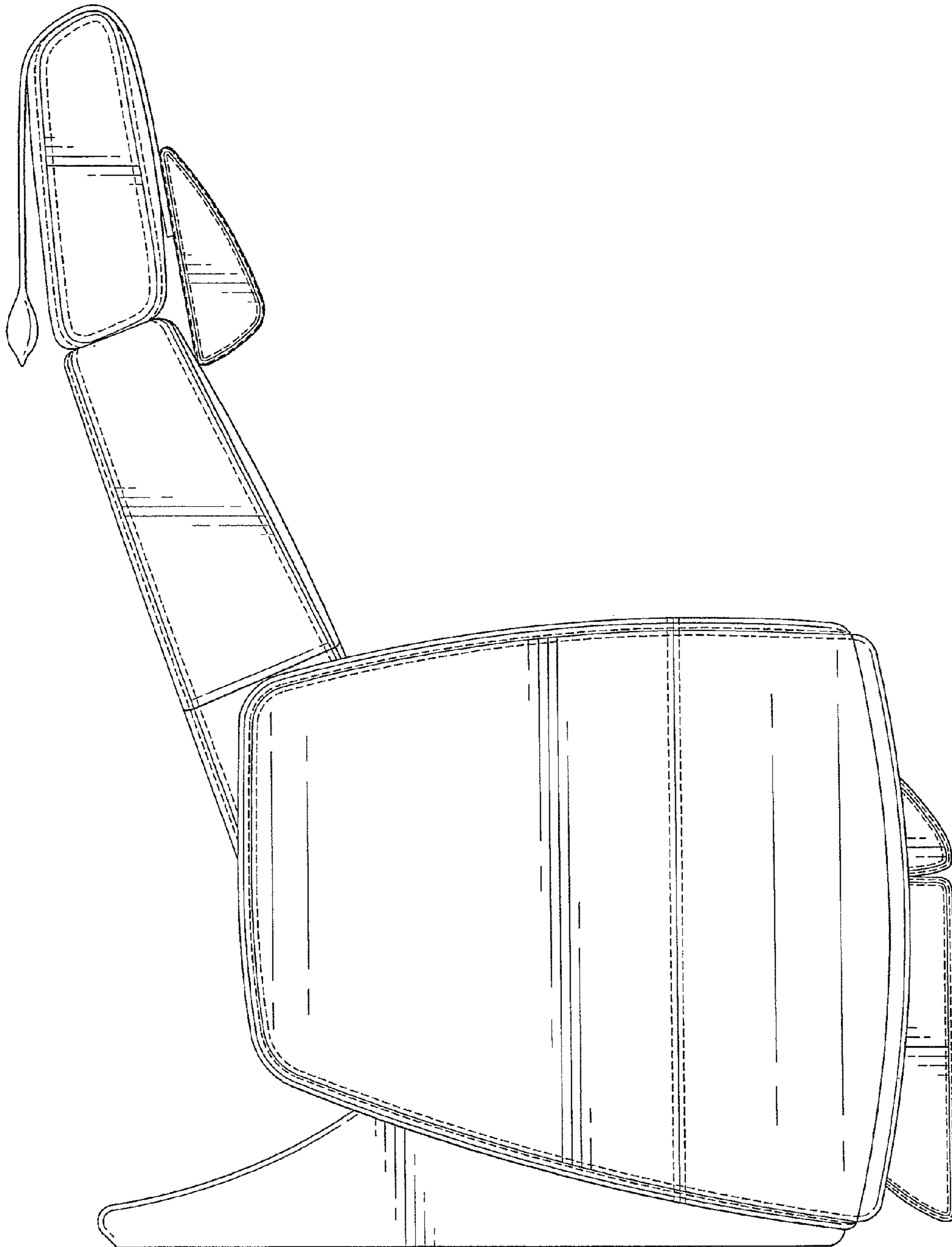


FIG. 3

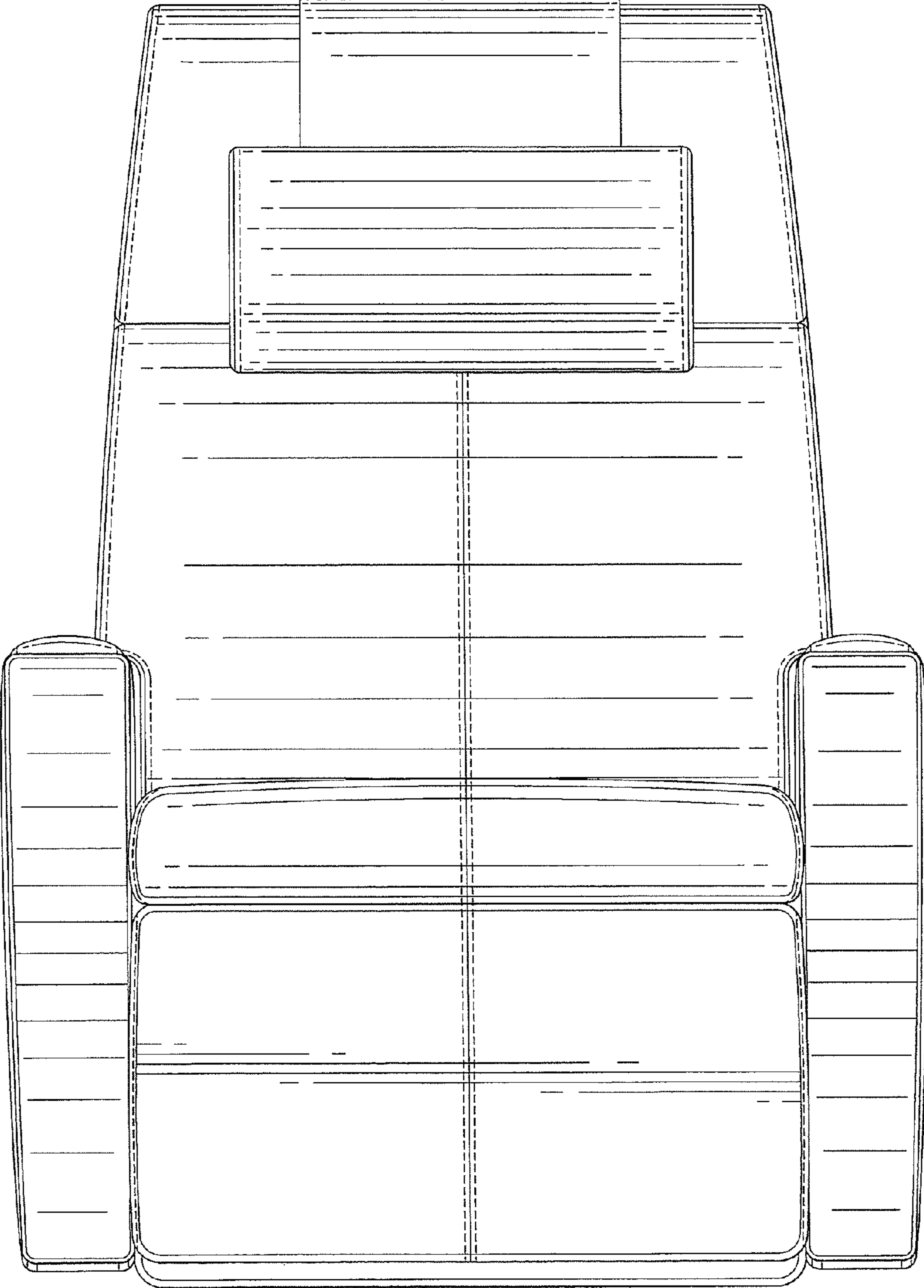


FIG. 4

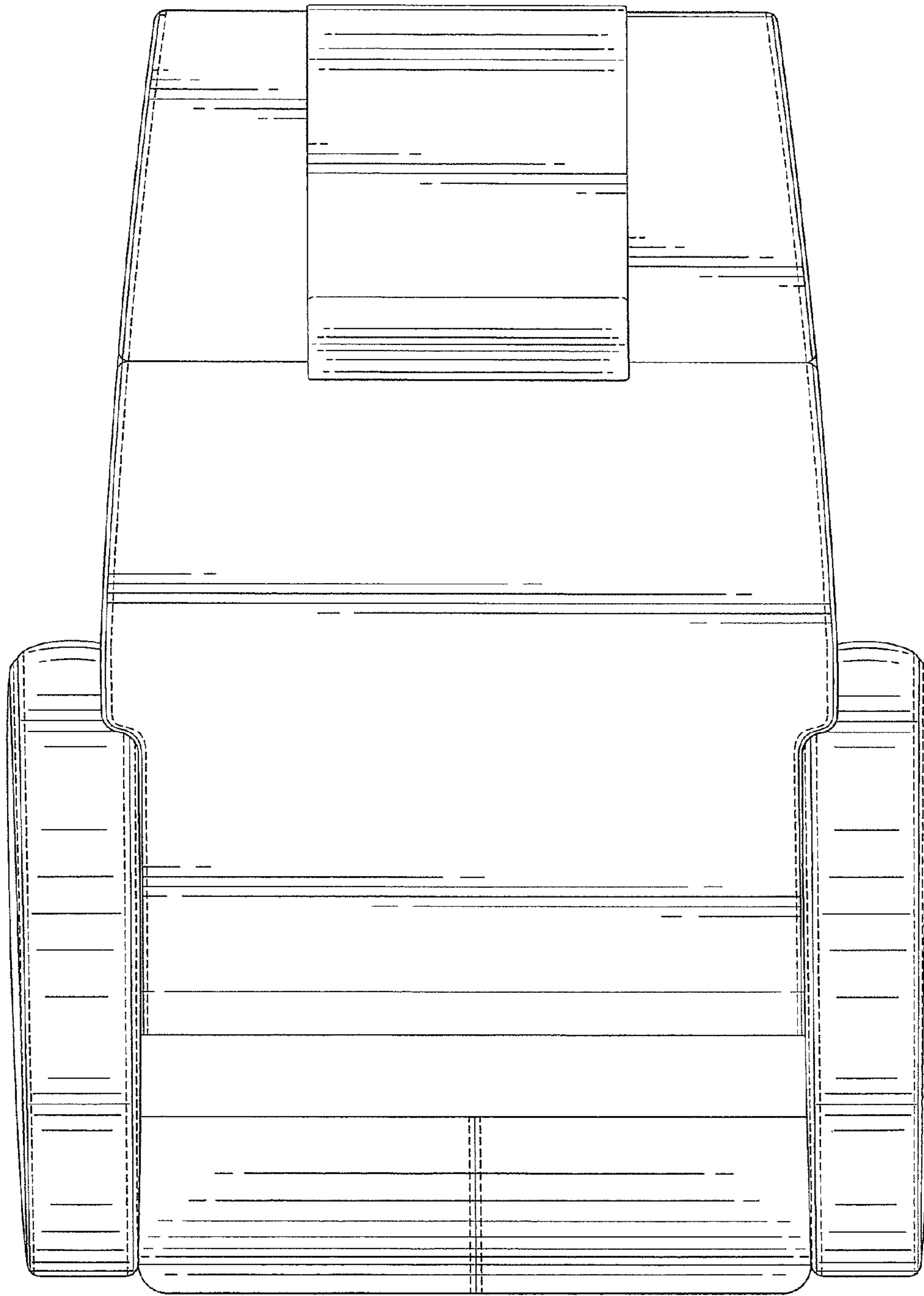


FIG. 5

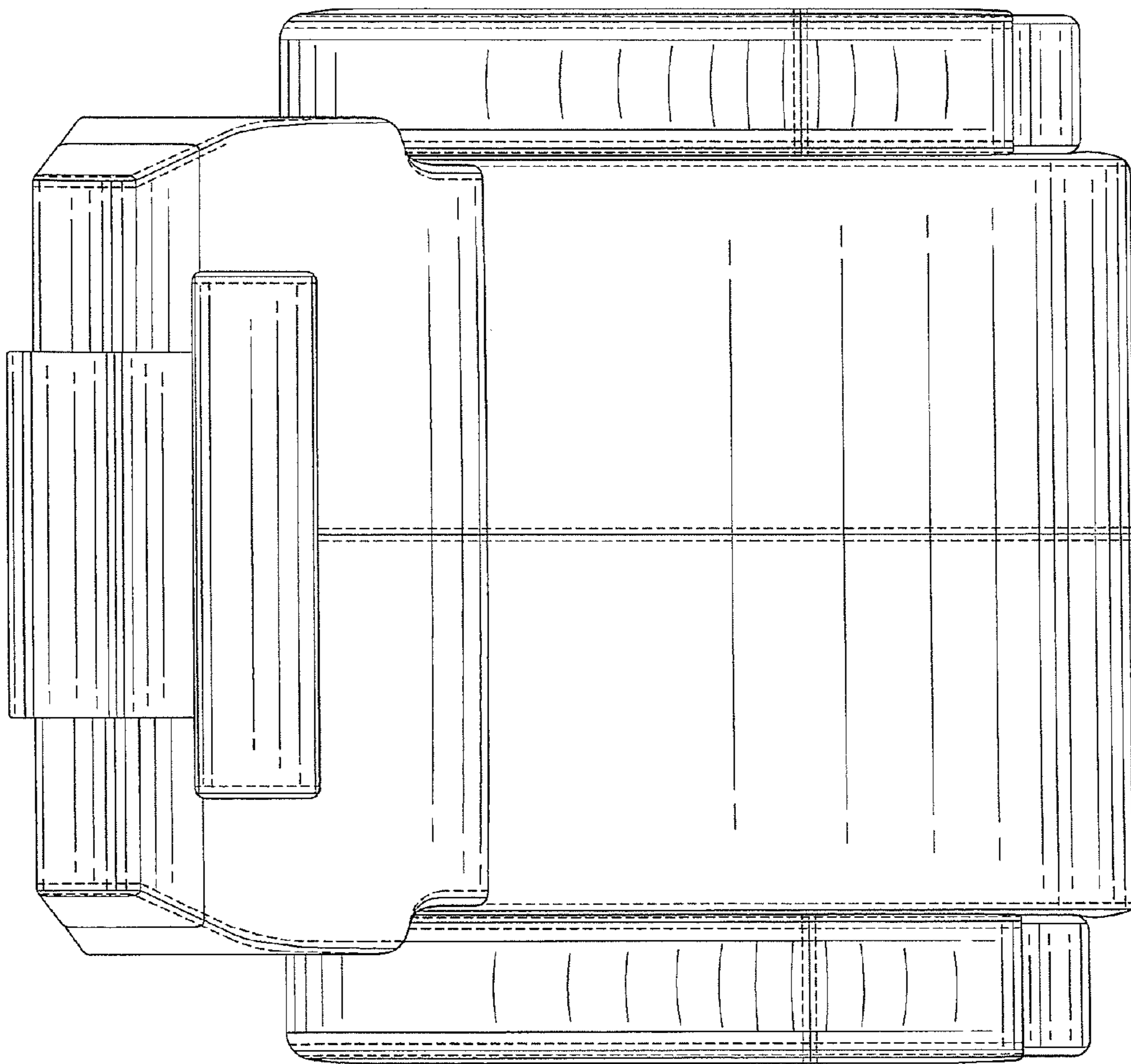


FIG. 6

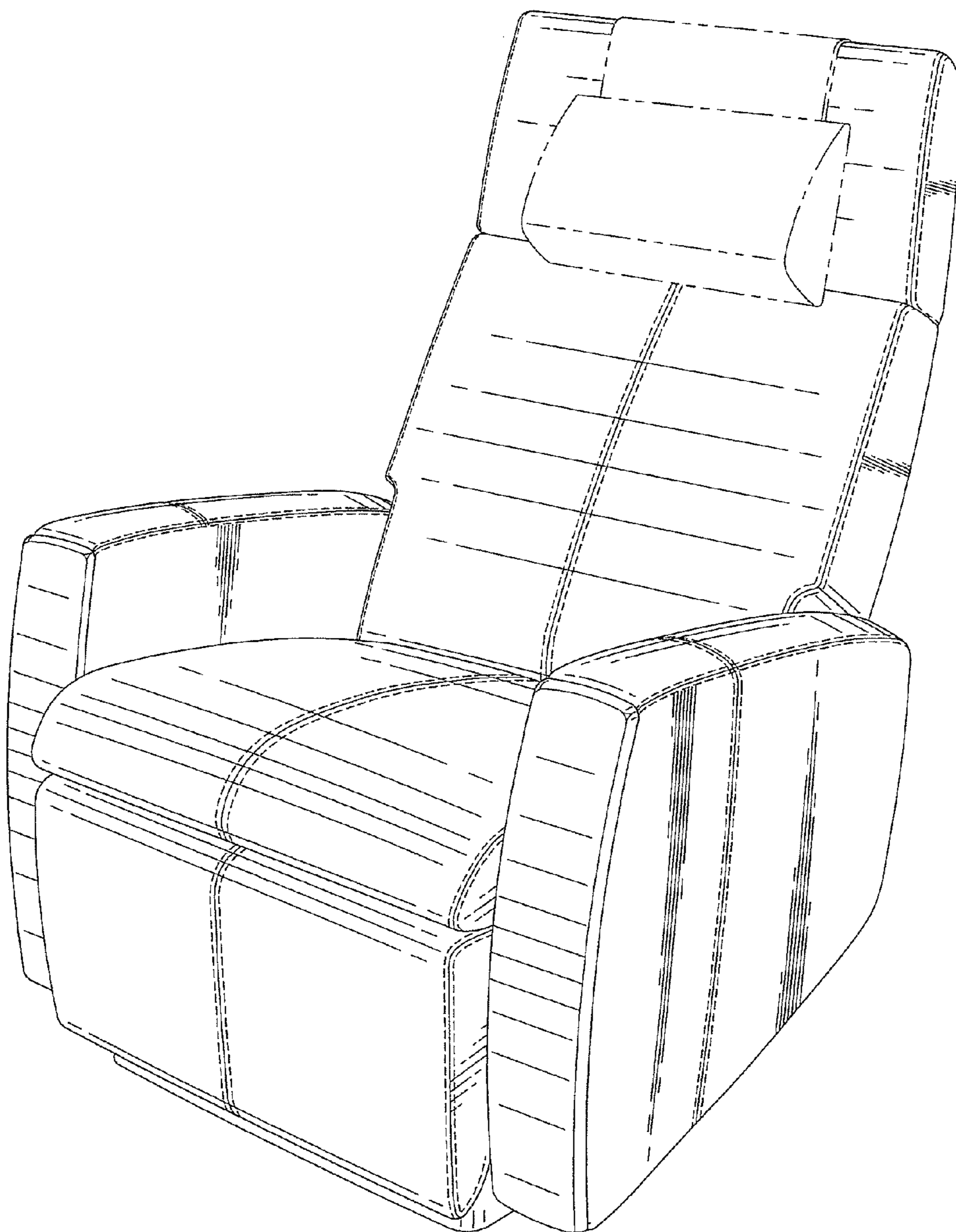


FIG. 7

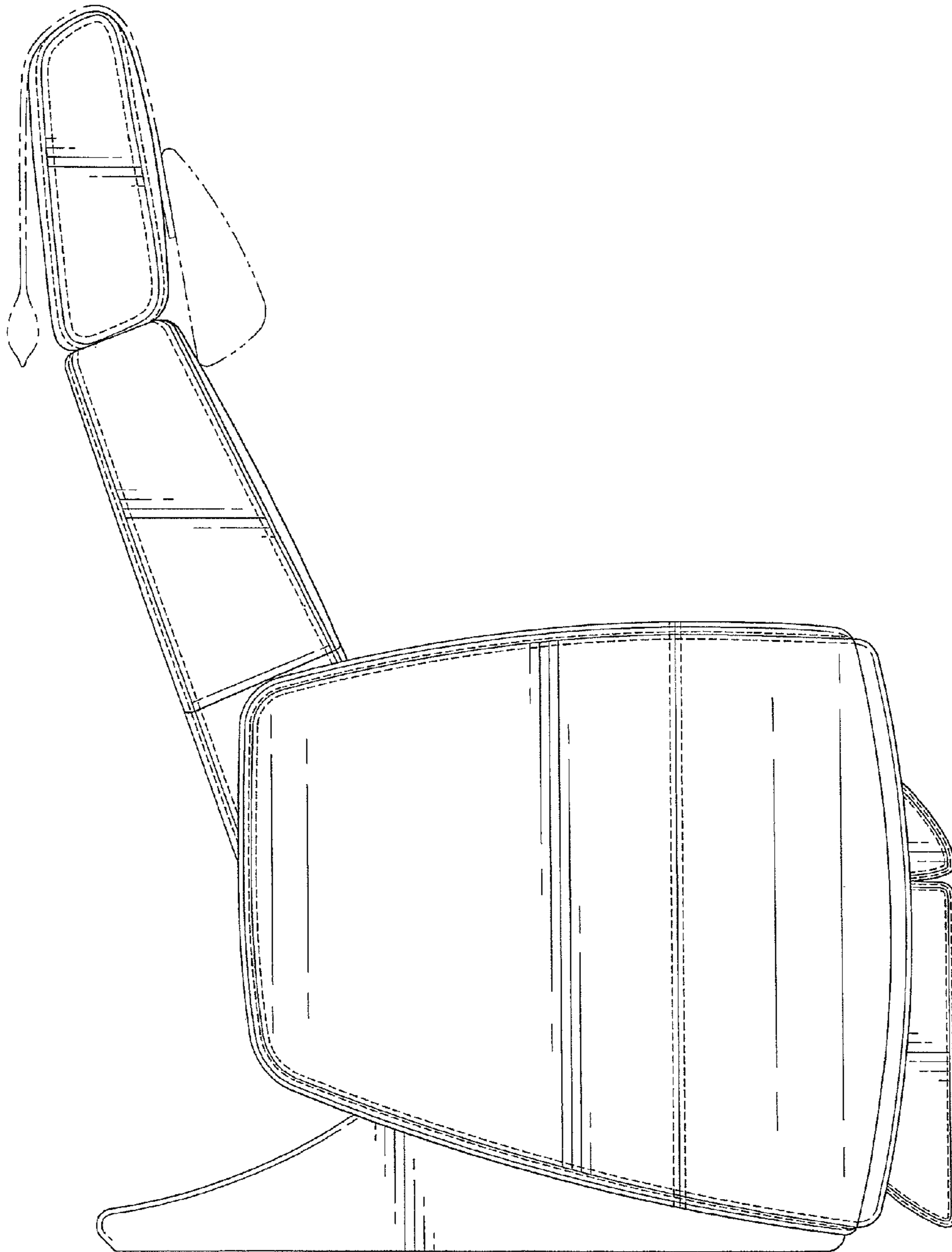


FIG. 8

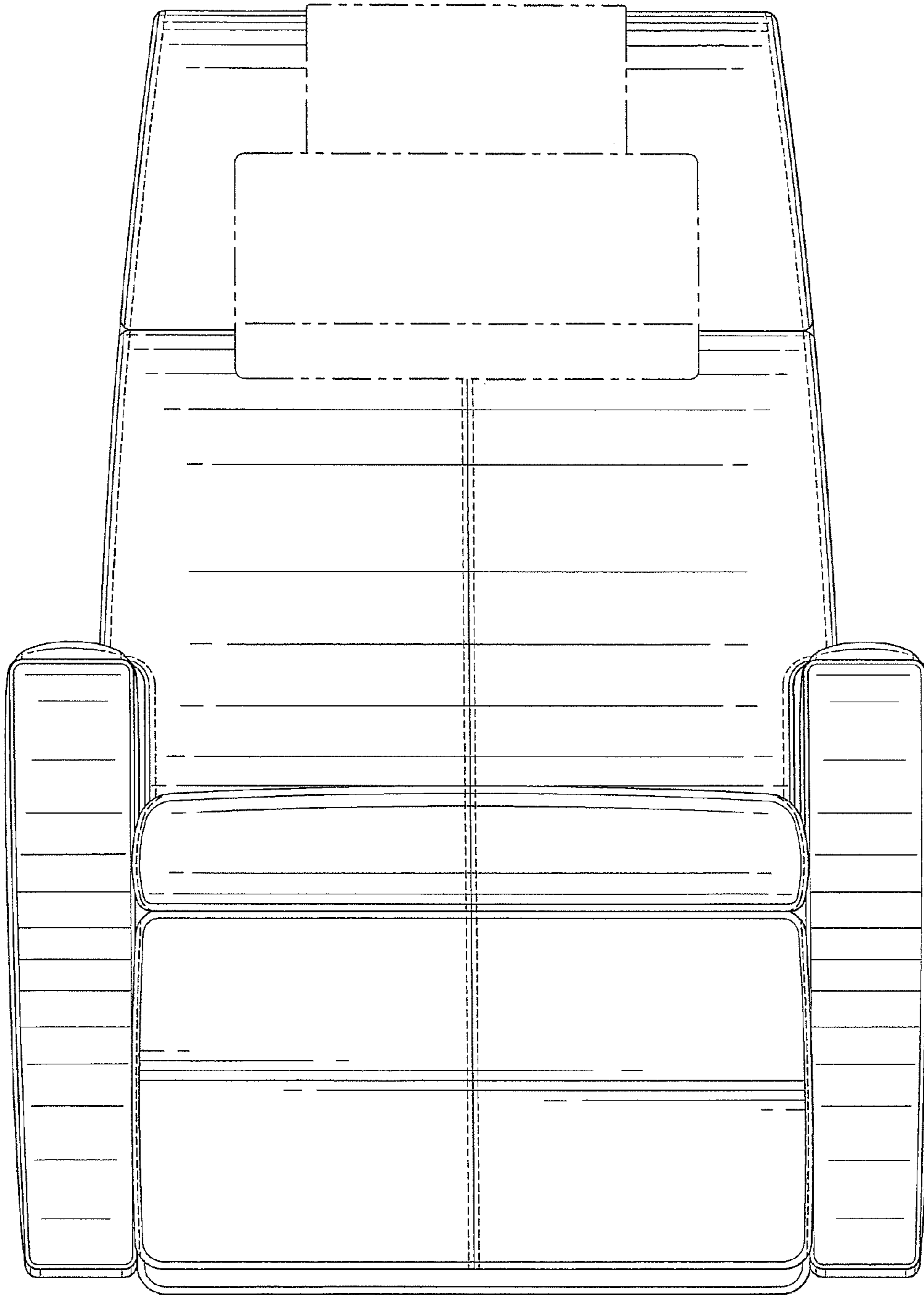


FIG. 9

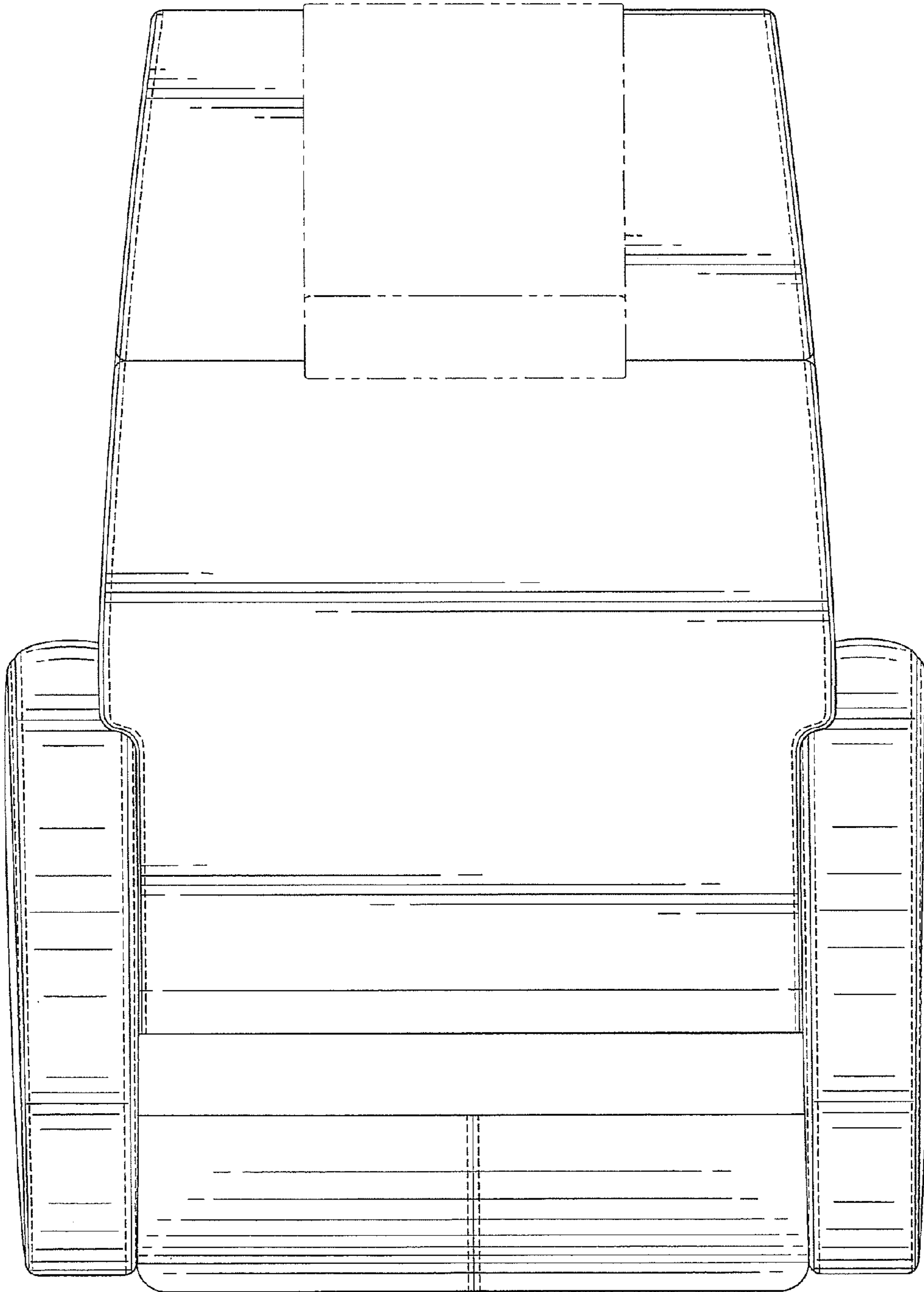


FIG. 10

