



US00D699958S

(12) **United States Design Patent**  
**Smith et al.**

(10) **Patent No.:** **US D699,958 S**  
(45) **Date of Patent:** **\*\* Feb. 25, 2014**

(54) **CHAIR**

(71) Applicant: **Steelcase Inc.**, Grand Rapids, IA (US)

(72) Inventors: **Bruce M. Smith**, East Grand Rapids, MI (US); **Glen Oliver Low**, Hamburg (DE); **James N. Ludwig**, East Grand Rapids, MI (US); **Robert J. Battey**, Middleville, MI (US); **Gordon Jay Peterson**, Rockford, MI (US)

(73) Assignee: **Steelcase Inc.**, Grand Rapids, MI (US)

(\*\*) Term: **14 Years**

(21) Appl. No.: **29/432,780**

(22) Filed: **Sep. 20, 2012**

(51) **LOC (10) Cl.** ..... **06-01**

(52) **U.S. Cl.**  
USPC ..... **D6/366**

(58) **Field of Classification Search**  
USPC ..... D6/334-336, 364, 365, 366, 367, 374, D6/376, 379, 380, 716, 716.1, 716.2, D6/716.3, 716.4; 297/284.4, 298, 394, 297/396, 404, 411.27, 411.35, 411.36, 297/411.37, 452.21, 452.29, 452.3, 452.32, 297/452.34, 452.48

See application file for complete search history.

(56) **References Cited**

**U.S. PATENT DOCUMENTS**

|             |         |                 |
|-------------|---------|-----------------|
| 3,226,159 A | 12/1965 | Binding et al.  |
| 4,711,491 A | 12/1987 | Ginat           |
| 5,439,267 A | 8/1995  | Peterson et al. |
| 5,599,067 A | 2/1997  | Schuelke et al. |
| 5,725,276 A | 3/1998  | Ginat           |
| 5,772,282 A | 6/1998  | Stumpf et al.   |
| 5,871,258 A | 2/1999  | Battey et al.   |
| 5,934,758 A | 8/1999  | Ritch et al.    |
| 5,975,634 A | 11/1999 | Knoblock et al. |

|             |         |                   |
|-------------|---------|-------------------|
| 6,000,759 A | 12/1999 | Pedronno et al.   |
| 6,035,901 A | 3/2000  | Stumpf et al.     |
| 6,039,397 A | 3/2000  | Ginat             |
| D423,261 S  | 4/2000  | Ritch et al.      |
| 6,053,578 A | 4/2000  | van Hekken et al. |
| 6,059,366 A | 5/2000  | Hu                |
| 6,059,368 A | 5/2000  | Stumpf et al.     |
| 6,076,892 A | 6/2000  | Van Hekken et al. |
| 6,079,785 A | 6/2000  | Peterson et al.   |
| 6,086,156 A | 7/2000  | Breen et al.      |
| 6,113,192 A | 9/2000  | Schneider         |
| 6,125,521 A | 10/2000 | Stumpf et al.     |

(Continued)

**FOREIGN PATENT DOCUMENTS**

|    |         |        |
|----|---------|--------|
| EP | 1836935 | 9/2007 |
| EP | 2068677 | 6/2009 |

(Continued)

**OTHER PUBLICATIONS**

Haworth X99 Chair Brochure.

(Continued)

*Primary Examiner* — Mimosa De

(74) *Attorney, Agent, or Firm* — Price Heneveld LLP

(57) **CLAIM**

We claim the ornamental design for the chair, as shown and described.

**DESCRIPTION**

FIG. 1 is a perspective view of a chair embodying the present invention;

FIG. 2 is a front view of the chair;

FIG. 3 is a first side view of the chair;

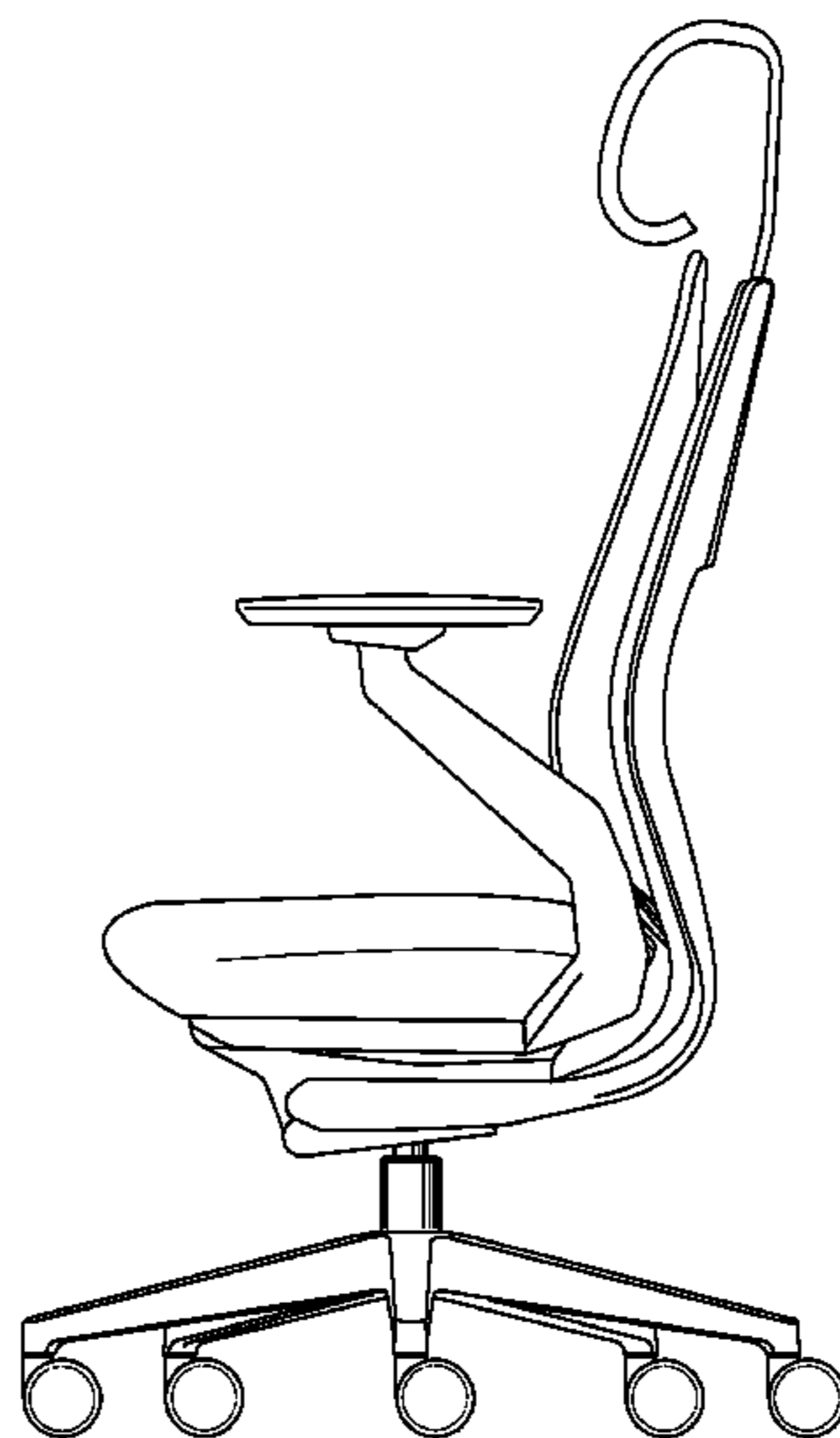
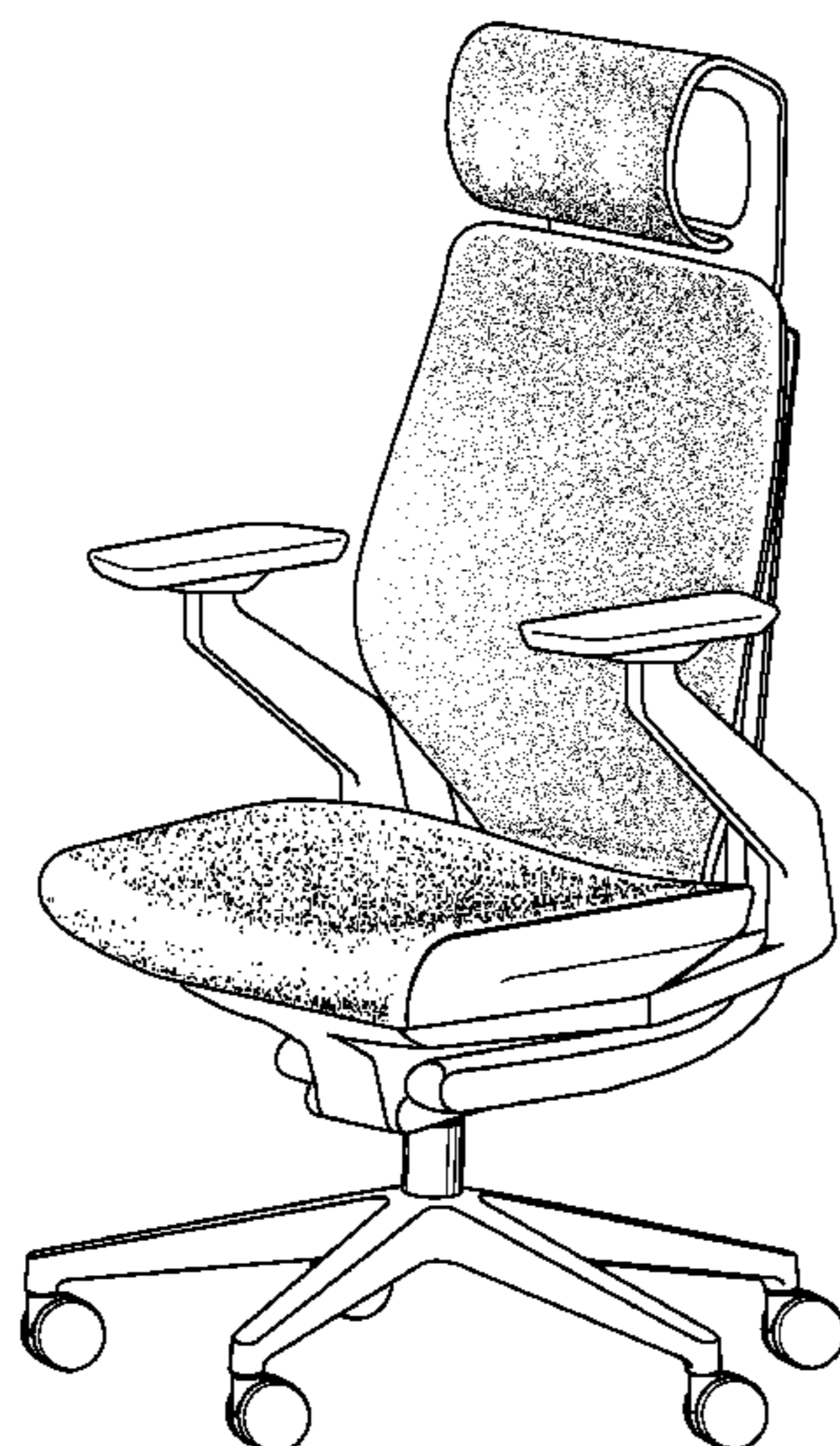
FIG. 4 is a second side view of the chair;

FIG. 5 is a rear view of the chair;

FIG. 6 is a top view of the chair; and,

FIG. 7 is a bottom view of the chair.

**1 Claim, 7 Drawing Sheets**



(56)

References Cited

U.S. PATENT DOCUMENTS

|              |         |                     |              |         |                      |        |
|--------------|---------|---------------------|--------------|---------|----------------------|--------|
| D436,456 S   | 1/2001  | Neil                | D543,042 S   | 5/2007  | Hara                 |        |
| 6,178,595 B1 | 1/2001  | Marinoni            | 7,213,880 B2 | 5/2007  | Schmitz et al.       |        |
| 6,199,947 B1 | 3/2001  | Wiklund             | 7,213,886 B2 | 5/2007  | Schmitz et al.       |        |
| 6,220,661 B1 | 4/2001  | Peterson            | 7,216,936 B2 | 5/2007  | Peterson             |        |
| D446,033 S   | 8/2001  | Koepke et al.       | D543,717 S   | 6/2007  | Chen                 |        |
| D451,723 S   | 12/2001 | Grove               | D544,720 S * | 6/2007  | Berbegal Perez ..... | D6/366 |
| 6,364,415 B1 | 4/2002  | Mori et al.         | D544,722 S   | 6/2007  | Scheper et al.       |        |
| 6,382,719 B1 | 5/2002  | Heidmann et al.     | D545,582 S   | 7/2007  | Wu                   |        |
| 6,386,634 B1 | 5/2002  | Stumpf et al.       | 7,249,802 B2 | 7/2007  | Schmitz et al.       |        |
| 6,394,546 B1 | 5/2002  | Knoblock et al.     | D548,474 S   | 8/2007  | Fancelli             |        |
| 6,394,548 B1 | 5/2002  | Batthey et al.      | D548,994 S   | 8/2007  | Mao                  |        |
| 6,394,549 B1 | 5/2002  | DeKraker et al.     | D549,473 S   | 8/2007  | Wagner               |        |
| 6,419,318 B1 | 7/2002  | Albright            | D549,474 S   | 8/2007  | Wagner               |        |
| 6,460,932 B1 | 10/2002 | Kopish et al.       | D549,976 S   | 9/2007  | Lin                  |        |
| 6,471,294 B1 | 10/2002 | Dammermann et al.   | D550,976 S   | 9/2007  | Bellini et al.       |        |
| 6,499,801 B1 | 12/2002 | Peterson et al.     | 7,270,378 B2 | 9/2007  | Wilkerson et al.     |        |
| 6,502,904 B1 | 1/2003  | Hansen              | 7,273,253 B2 | 9/2007  | Deimen et al.        |        |
| 6,508,509 B2 | 1/2003  | Peterson            | D552,857 S   | 10/2007 | Wang                 |        |
| 6,572,190 B2 | 6/2003  | Koepke et al.       | 7,281,764 B2 | 10/2007 | Thole                |        |
| 6,588,842 B2 | 7/2003  | Stumpf et al.       | D554,877 S   | 11/2007 | Tsai                 |        |
| 6,609,755 B2 | 8/2003  | Koepke et al.       | D557,024 S   | 12/2007 | Chen                 |        |
| 6,616,228 B2 | 9/2003  | Heidmann            | D557,027 S   | 12/2007 | Hara                 |        |
| 6,619,746 B2 | 9/2003  | Roslund, Jr. et al. | D557,914 S   | 12/2007 | Ong                  |        |
| D482,205 S   | 11/2003 | English et al.      | D557,950 S   | 12/2007 | Lu                   |        |
| 6,644,749 B2 | 11/2003 | VanDeRiet et al.    | 7,303,232 B1 | 12/2007 | Chen                 |        |
| 6,669,292 B2 | 12/2003 | Koepke et al.       | D558,492 S   | 1/2008  | Lu                   |        |
| D486,656 S   | 2/2004  | Su                  | 7,334,845 B2 | 2/2008  | Petereson et al.     |        |
| 6,688,690 B2 | 2/2004  | Watson et al.       | 7,360,835 B2 | 4/2008  | Tubergen et al.      |        |
| D487,359 S   | 3/2004  | Giugiaro            | 7,360,839 B1 | 4/2008  | Chen                 |        |
| 6,702,390 B2 | 3/2004  | Stumpf et al.       | 7,367,622 B2 | 5/2008  | Roslund et al.       |        |
| 6,709,060 B1 | 3/2004  | Su                  | D571,569 S   | 6/2008  | Fancelli             |        |
| 6,722,741 B2 | 4/2004  | Stumpf et al.       | D572,493 S   | 7/2008  | Zhang                |        |
| 6,726,278 B1 | 4/2004  | Albright et al.     | D573,361 S   | 7/2008  | Kung                 |        |
| 6,726,286 B2 | 4/2004  | Stumpf et al.       | D576,809 S   | 9/2008  | Christianson et al.  |        |
| 6,729,691 B2 | 5/2004  | Koepke et al.       | D576,813 S   | 9/2008  | Baldanzi et al.      |        |
| 6,733,080 B2 | 5/2004  | Stumpf et al.       | D576,814 S   | 9/2008  | Baldanzi et al.      |        |
| D490,994 S   | 6/2004  | Schmitz et al.      | 7,419,222 B2 | 9/2008  | Schmitz et al.       |        |
| 6,758,523 B2 | 7/2004  | VanDeRiet et al.    | 7,425,037 B2 | 9/2008  | Schmitz et al.       |        |
| D493,626 S   | 8/2004  | James               | 7,425,039 B2 | 9/2008  | Lin                  |        |
| D493,627 S   | 8/2004  | Ma                  | 7,427,105 B2 | 9/2008  | Knoblock et al.      |        |
| 6,779,839 B2 | 8/2004  | Andreasson et al.   | 7,434,879 B2 | 10/2008 | Ueda et al.          |        |
| D496,812 S   | 10/2004 | Chu                 | 7,494,188 B1 | 2/2009  | Lin                  |        |
| D497,264 S   | 10/2004 | Aubriet et al.      | 7,500,718 B2 | 3/2009  | Fookes               |        |
| D499,564 S   | 12/2004 | Meda                | 7,517,009 B2 | 4/2009  | Mauro et al.         |        |
| 6,837,546 B2 | 1/2005  | VanDeRiet et al.    | 7,527,335 B2 | 5/2009  | Eberlein et al.      |        |
| 6,857,704 B2 | 2/2005  | Stenzel et al.      | 7,533,939 B2 | 5/2009  | Fookes et al.        |        |
| 6,874,852 B2 | 4/2005  | Footitt             | D593,345 S   | 6/2009  | Schweikarth et al.   |        |
| 6,880,215 B2 | 4/2005  | Peterson            | 7,549,704 B1 | 6/2009  | Chou et al.          |        |
| D507,124 S   | 7/2005  | Yang                | D597,329 S * | 8/2009  | Tanaka et al. ....   | D6/366 |
| D507,423 S   | 7/2005  | Beaulieu et al.     | 7,594,700 B2 | 9/2009  | Stumpf et al.        |        |
| 6,913,315 B2 | 7/2005  | Ball et al.         | D601,830 S   | 10/2009 | Egger                |        |
| D507,910 S   | 8/2005  | Bock                | 7,604,298 B2 | 10/2009 | Peterson et al.      |        |
| 6,942,300 B2 | 9/2005  | Numa et al.         | 7,625,045 B2 | 12/2009 | Hatcher et al.       |        |
| 6,945,601 B1 | 9/2005  | Wu                  | D610,822 S   | 3/2010  | Chen                 |        |
| 6,948,775 B2 | 9/2005  | Tsai                | D613,087 S * | 4/2010  | Fujita .....         | D6/366 |
| 6,955,402 B2 | 10/2005 | VanDeRiet et al.    | 7,744,159 B2 | 6/2010  | Lee                  |        |
| 6,966,604 B2 | 11/2005 | Stumpf et al.       | 7,798,573 B2 | 9/2010  | Pennington et al.    |        |
| D512,232 S   | 12/2005 | Wu                  | 7,806,481 B2 | 10/2010 | Eberlein             |        |
| 6,983,997 B2 | 1/2006  | Wilkerson et al.    | 7,815,259 B2 | 10/2010 | Fookes et al.        |        |
| D514,832 S   | 2/2006  | Tsai                | 7,828,389 B2 | 11/2010 | Oda                  |        |
| D517,820 S * | 3/2006  | Citterio .....      | 7,832,803 B2 | 11/2010 | Cassaday             |        |
| 7,014,269 B2 | 3/2006  | Coffield et al.     | 7,837,269 B2 | 11/2010 | Bock                 |        |
| 7,025,424 B2 | 4/2006  | Harley              | 7,837,272 B2 | 11/2010 | Masunaga et al.      |        |
| D521,755 S   | 5/2006  | Kinoshita et al.    | 7,841,665 B2 | 11/2010 | Geister et al.       |        |
| D523,252 S   | 6/2006  | Leitao              | 7,841,666 B2 | 11/2010 | Schmitz et al.       |        |
| 7,059,681 B2 | 6/2006  | Kubo                | 7,857,388 B2 | 12/2010 | Bedford et al.       |        |
| 7,066,537 B2 | 6/2006  | Coffield et al.     | 7,887,131 B2 | 2/2011  | Chadwick et al.      |        |
| 7,066,546 B2 | 6/2006  | Trego et al.        | 7,887,135 B2 | 2/2011  | Oda                  |        |
| 7,097,247 B2 | 8/2006  | Batthey et al.      | D634,558 S   | 3/2011  | Deisig               |        |
| 7,131,700 B2 | 11/2006 | Knoblock et al.     | 7,922,248 B2 | 4/2011  | Aldrich et al.       |        |
| D535,505 S   | 1/2007  | Cai                 | D638,635 S   | 5/2011  | Sander et al.        |        |
| 7,159,947 B1 | 1/2007  | Lee                 | 7,980,631 B2 | 7/2011  | Diffrient            |        |
| D541,062 S   | 4/2007  | Su                  | 8,016,360 B2 | 9/2011  | Machael et al.       |        |
| 7,201,449 B2 | 4/2007  | Tsai                | 8,029,066 B2 | 10/2011 | Su                   |        |
| D543,040 S   | 5/2007  | Hara                | 8,038,212 B2 | 10/2011 | Vickers et al.       |        |
|              |         |                     | D648,947 S   | 11/2011 | Ong                  |        |
|              |         |                     | 8,061,778 B2 | 11/2011 | Machael et al.       |        |
|              |         |                     | D650,617 S   | 12/2011 | Chen                 |        |
|              |         |                     | D653,467 S   | 2/2012  | Ballendat            |        |

(56)

References Cited

U.S. PATENT DOCUMENTS

D654,280 S \* 2/2012 Fujita ..... D6/366  
 D654,709 S 2/2012 Fujita  
 D654,711 S 2/2012 Fujita  
 D655,523 S \* 3/2012 Neil ..... D6/366  
 D655,524 S 3/2012 Kim  
 D656,329 S \* 3/2012 Nakamura et al. .... D6/366  
 D657,166 S 4/2012 Behar et al.  
 D657,594 S 4/2012 Knight et al.  
 D683,150 S \* 5/2013 Smith et al. .... D6/366  
 D683,151 S \* 5/2013 Smith et al. .... D6/366  
 D688,497 S \* 8/2013 Smith et al. .... D6/716  
 D688,498 S \* 8/2013 Smith et al. .... D6/716  
 D688,499 S \* 8/2013 Smith et al. .... D6/716  
 D688,500 S \* 8/2013 Smith et al. .... D6/716  
 D688,503 S \* 8/2013 Smith et al. .... D6/716.4  
 D688,504 S \* 8/2013 Smith et al. .... D6/716.4  
 D688,505 S \* 8/2013 Smith et al. .... D6/716.4  
 D690,146 S \* 9/2013 Smith et al. .... D6/716  
 2002/0003368 A1 1/2002 VanDeRiet et al.  
 2002/0074843 A1 6/2002 Malschet et al.  
 2003/0030317 A1 2/2003 Chen  
 2003/0047980 A1 3/2003 Vassallo  
 2004/0000805 A1 1/2004 VanDeRiet et al.  
 2004/0155503 A1 8/2004 Stumpf et al.

2005/0052061 A1 3/2005 Deimen et al.  
 2005/0062323 A1 3/2005 Dicks  
 2005/0127735 A1 6/2005 Munsch  
 2008/0122284 A1 5/2008 Yang  
 2009/0021069 A1 1/2009 Hentschel et al.  
 2010/0007190 A1 1/2010 Johnson et al.  
 2010/0237679 A1 9/2010 Tsukiji et al.  
 2010/0244521 A1 9/2010 Ueda  
 2010/0276978 A1 11/2010 Furuta et al.  
 2011/0012395 A1 1/2011 Roslund et al.  
 2011/0198907 A1 8/2011 Masunaga et al.  
 2011/0248543 A1 10/2011 Hitchcock et al.

FOREIGN PATENT DOCUMENTS

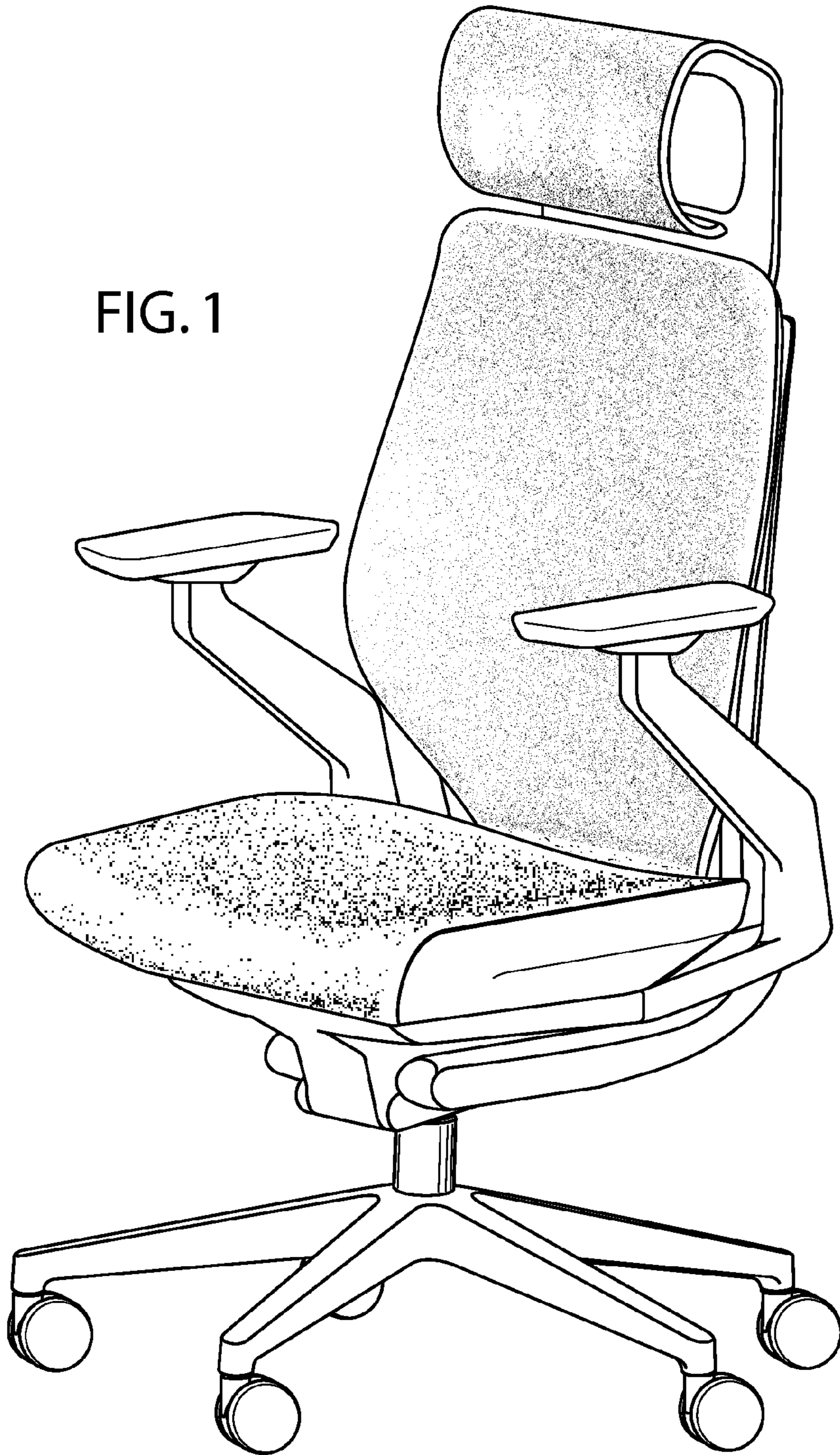
EP 2233043 9/2010  
 EP 2491821 8/2012  
 JP 11290154 10/1999  
 JP 2004155269 6/2004  
 KR 20130019549 2/2013  
 WO 2013051951 4/2013

OTHER PUBLICATIONS

Werndl #1 Brochure.  
 Steelcase Please Chair Brochure.

\* cited by examiner

FIG. 1



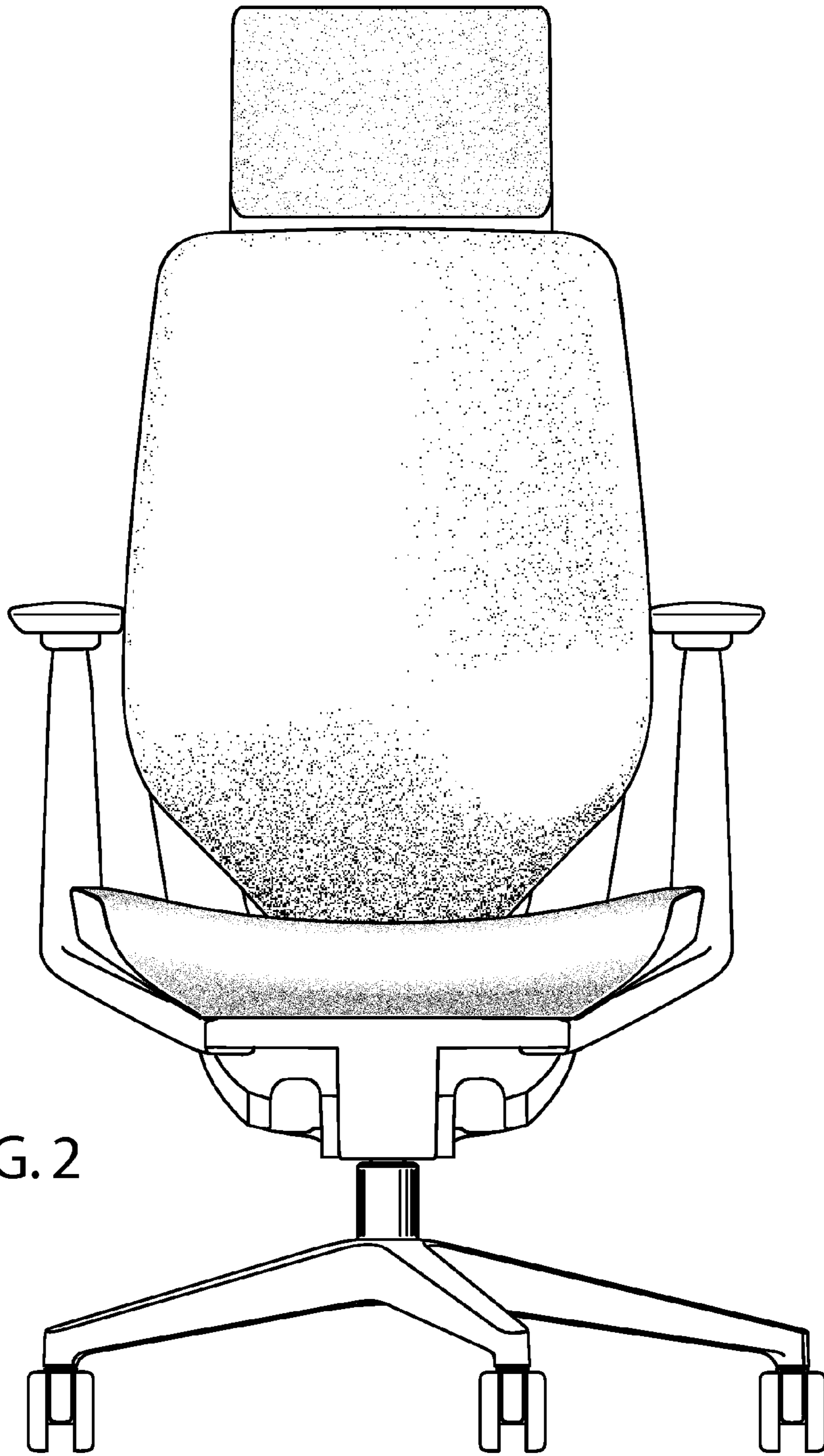
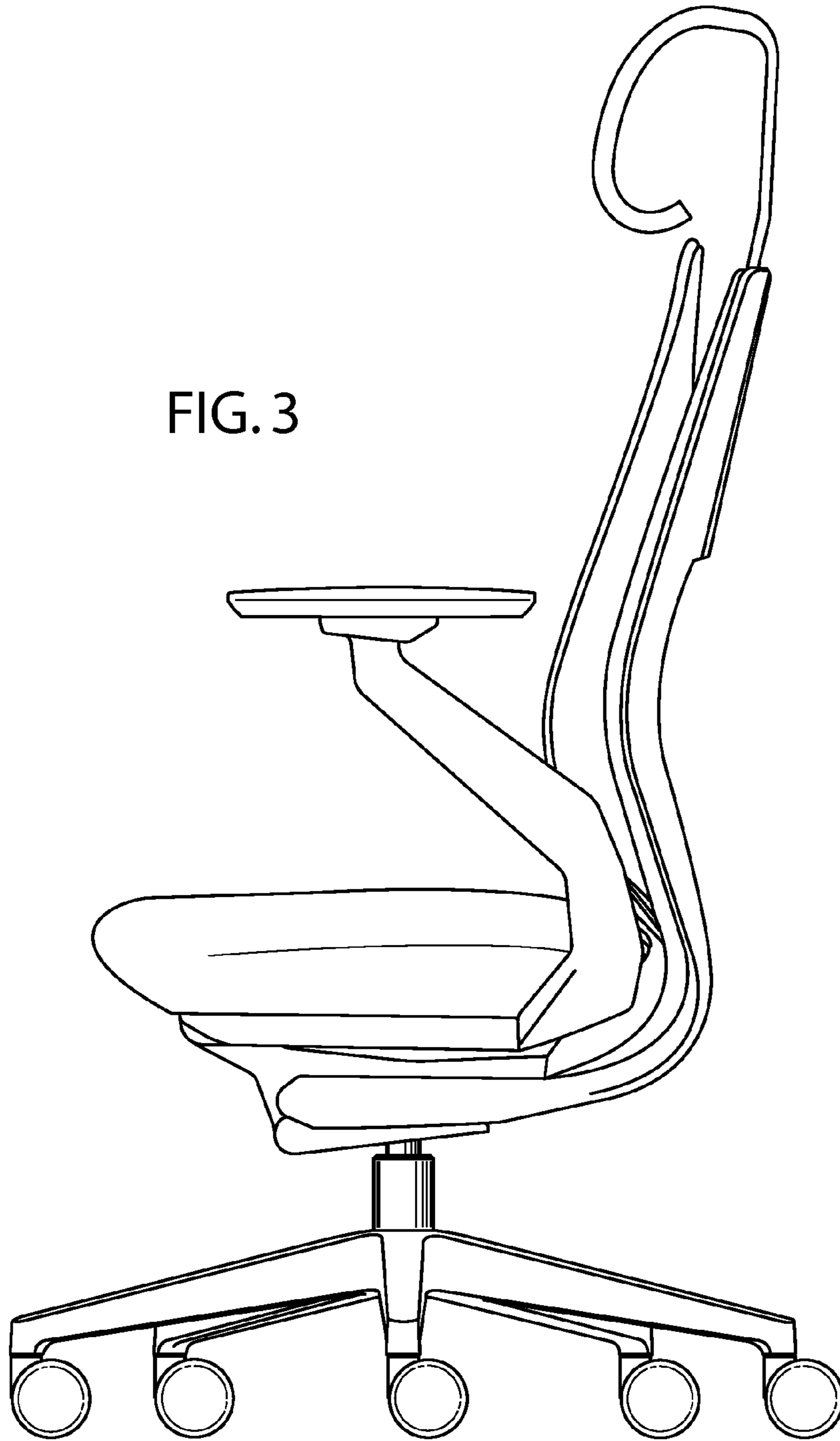


FIG. 2

FIG. 3



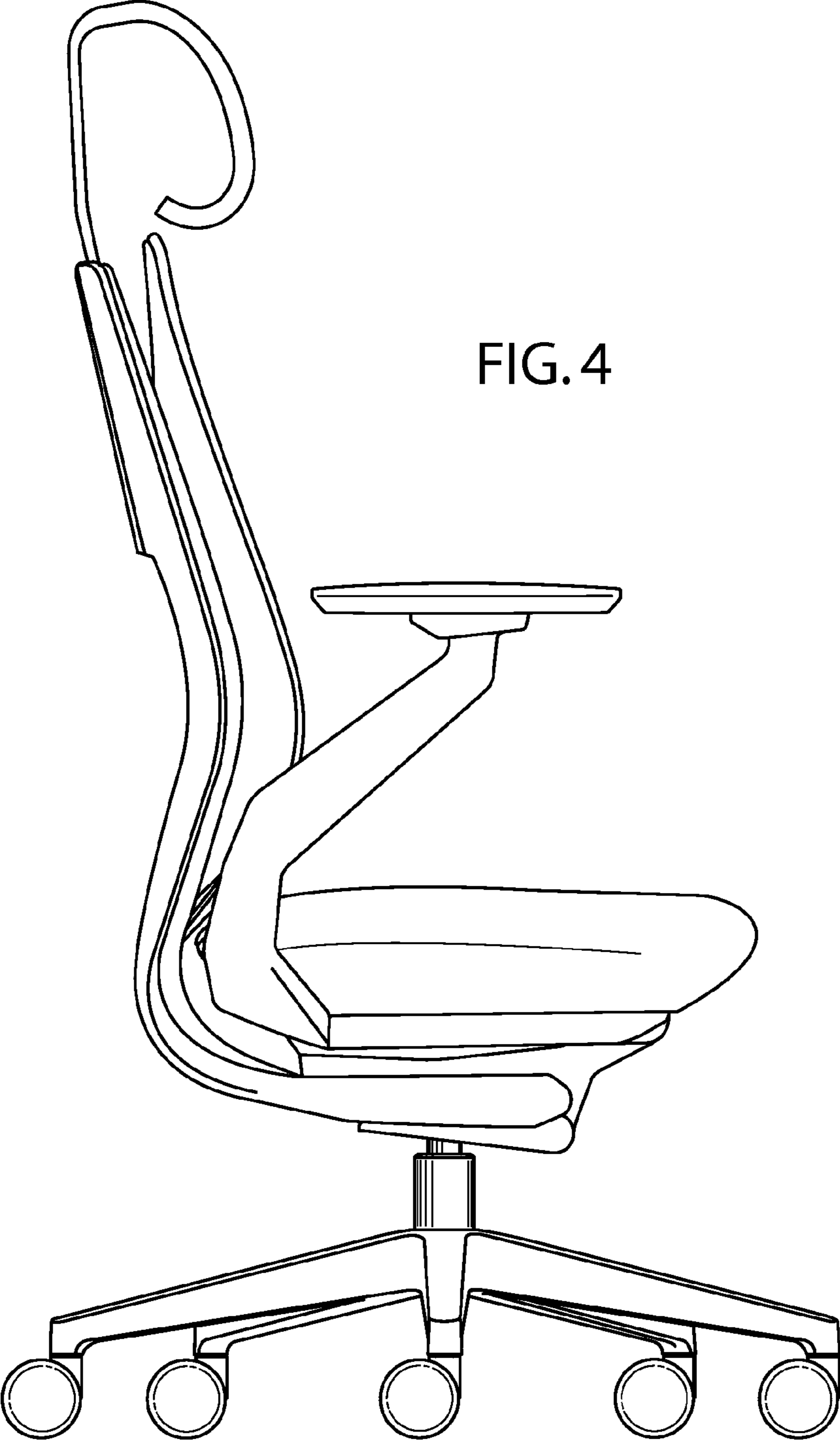


FIG. 4

FIG. 5

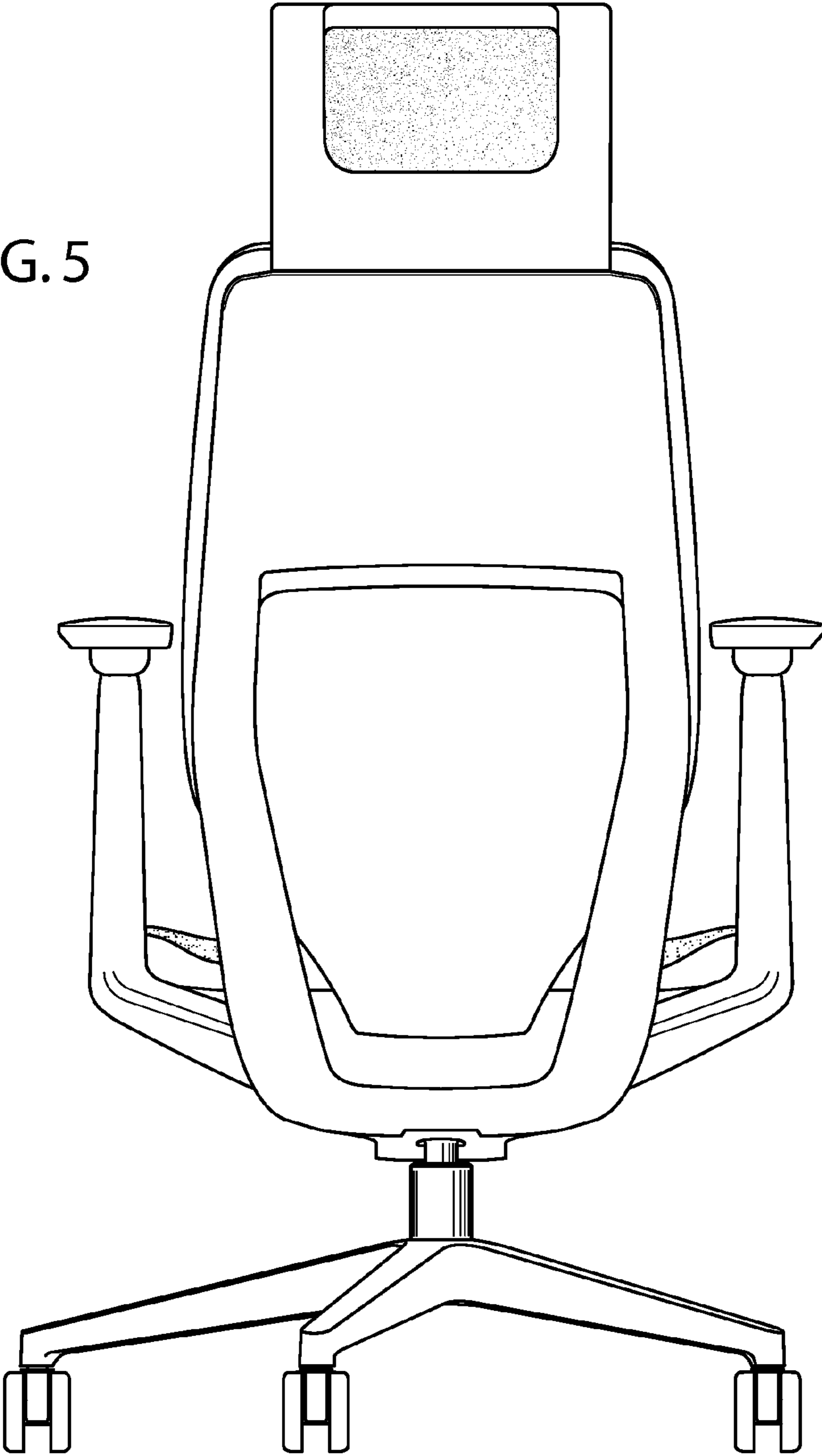




FIG. 6

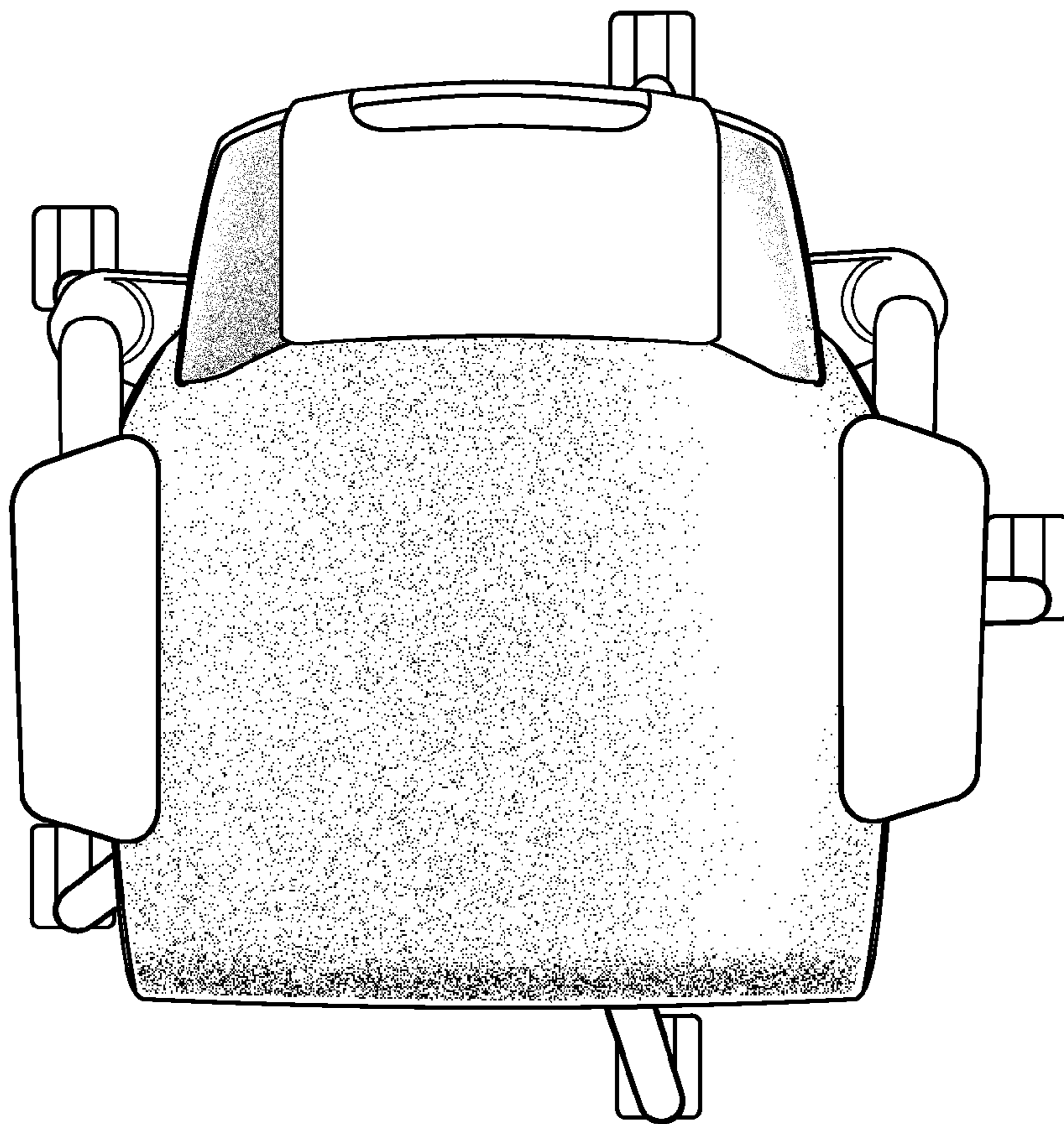


FIG. 7

