



US00D699956S

(12) **United States Design Patent**
Beucler et al.

(10) **Patent No.:** **US D699,956 S**
(45) **Date of Patent:** **** Feb. 25, 2014**

- (54) **OTTOMAN**
- (71) Applicant: **Knoll, Inc.**, East Greenville, PA (US)
- (72) Inventors: **Pierre Beucler**, Paris (FR);
Jean-Christophe Poggioli, Paris (FR)
- (73) Assignee: **Knoll, Inc.**, East Greenville, PA (US)
- (**) Term: **14 Years**
- (21) Appl. No.: **29/445,080**
- (22) Filed: **Feb. 7, 2013**
- (51) **LOC (10) Cl.** **06-01**
- (52) **U.S. Cl.**
USPC **D6/349**
- (58) **Field of Classification Search**
USPC D6/330, 337, 341, 346, 349-355, 357,
D6/362, 364-373, 376, 377, 381, 645, 656,
D6/658, 665, 674, 675.5, 676, 690, 691,
D6/694, 704, 705, 707, 707.19,
D6/716.1-716.6, 717, 717.2; 297/423.12,
297/423.13, 423.37, 461, 462, 115, 116,
297/135, 160-162
See application file for complete search history.

D597,328 S *	8/2009	Schweikarth et al.	D6/355
D609,930 S *	2/2010	Young-il et al.	D6/364
D616,215 S *	5/2010	Andersen	D6/381
D639,084 S *	6/2011	Andersen	D6/381
D642,820 S *	8/2011	Andersen	D6/381
D685,198 S *	7/2013	Arko et al.	D6/349
D687,241 S *	8/2013	Beucler et al.	D6/381

OTHER PUBLICATIONS

Knoll A&A Lounge Pouf. [online] Retrieved Sep. 3, 2013 from URL:
<<http://www.stylepark.com/en/knoll/aunda-lounge-pouf>>.*

* cited by examiner

Primary Examiner — Susan Bennett Hattan

Assistant Examiner — Vy Koenig

(74) *Attorney, Agent, or Firm* — Buchanan Ingersoll & Rooney PC

(57) **CLAIM**

The ornamental design for an ottoman, as shown and described.

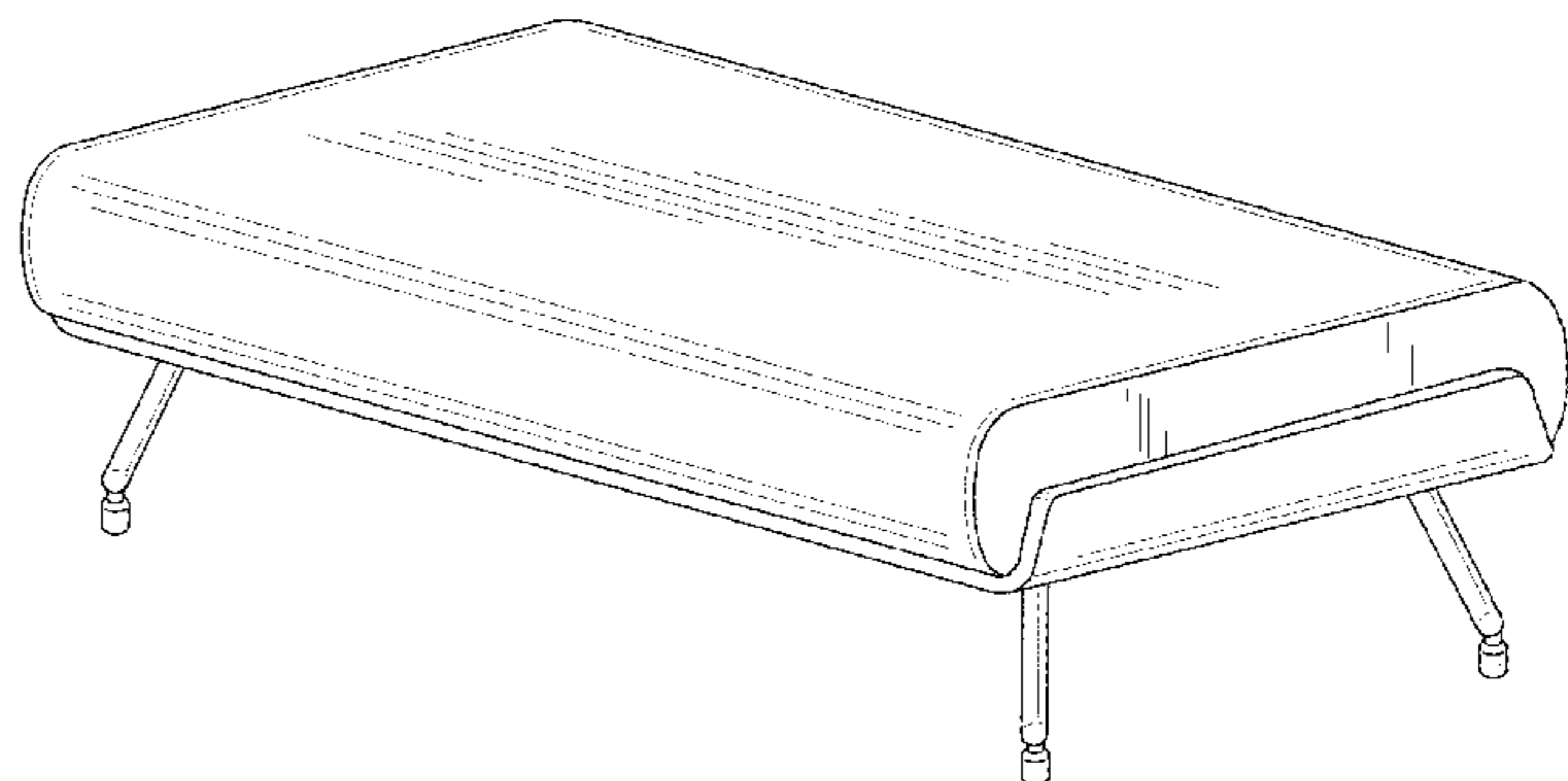
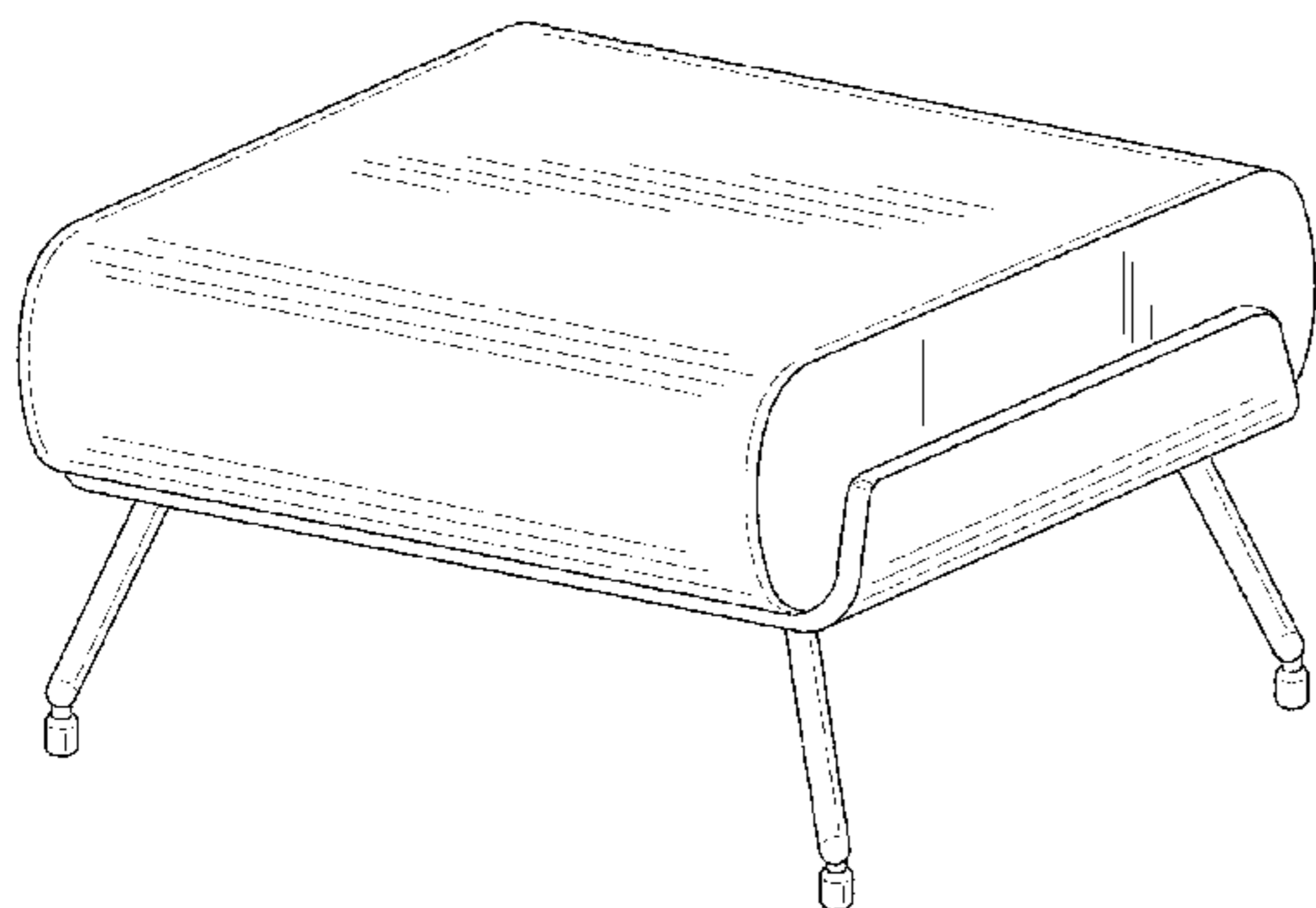
DESCRIPTION

FIG. 1 is a perspective view of an ottoman showing our new design;
 FIG. 2 is a front elevational view thereof;
 FIG. 3 is a rear elevational view thereof;
 FIG. 4 is a top plan view thereof;
 FIG. 5 is a left side elevational view thereof;
 FIG. 6 is a right side elevational view thereof;
 FIG. 7 is a perspective view of an alternate embodiment of an ottoman showing our new design;
 FIG. 8 is a front elevational view thereof;
 FIG. 9 is a rear elevational view thereof;
 FIG. 10 is a top plan view thereof;
 FIG. 11 is a left side elevational view thereof; and,
 FIG. 12 is a right side elevational view thereof.

1 Claim, 8 Drawing Sheets

(56) **References Cited**
U.S. PATENT DOCUMENTS

692,506 A *	2/1902	Ecker	297/461
D144,677 S *	5/1946	Billet et al.	D6/361
D181,730 S *	12/1957	Jones et al.	D6/349
2,912,046 A *	11/1959	Fuerst	248/397
D228,986 S *	11/1973	Iskander	D6/355
D234,278 S *	2/1975	Jacobs	D6/349
D245,949 S *	10/1977	Amey et al.	D6/349
D284,428 S *	7/1986	Raftery	D6/349
D336,166 S *	6/1993	Hollington	D6/349
D587,912 S *	3/2009	Moss	D6/349



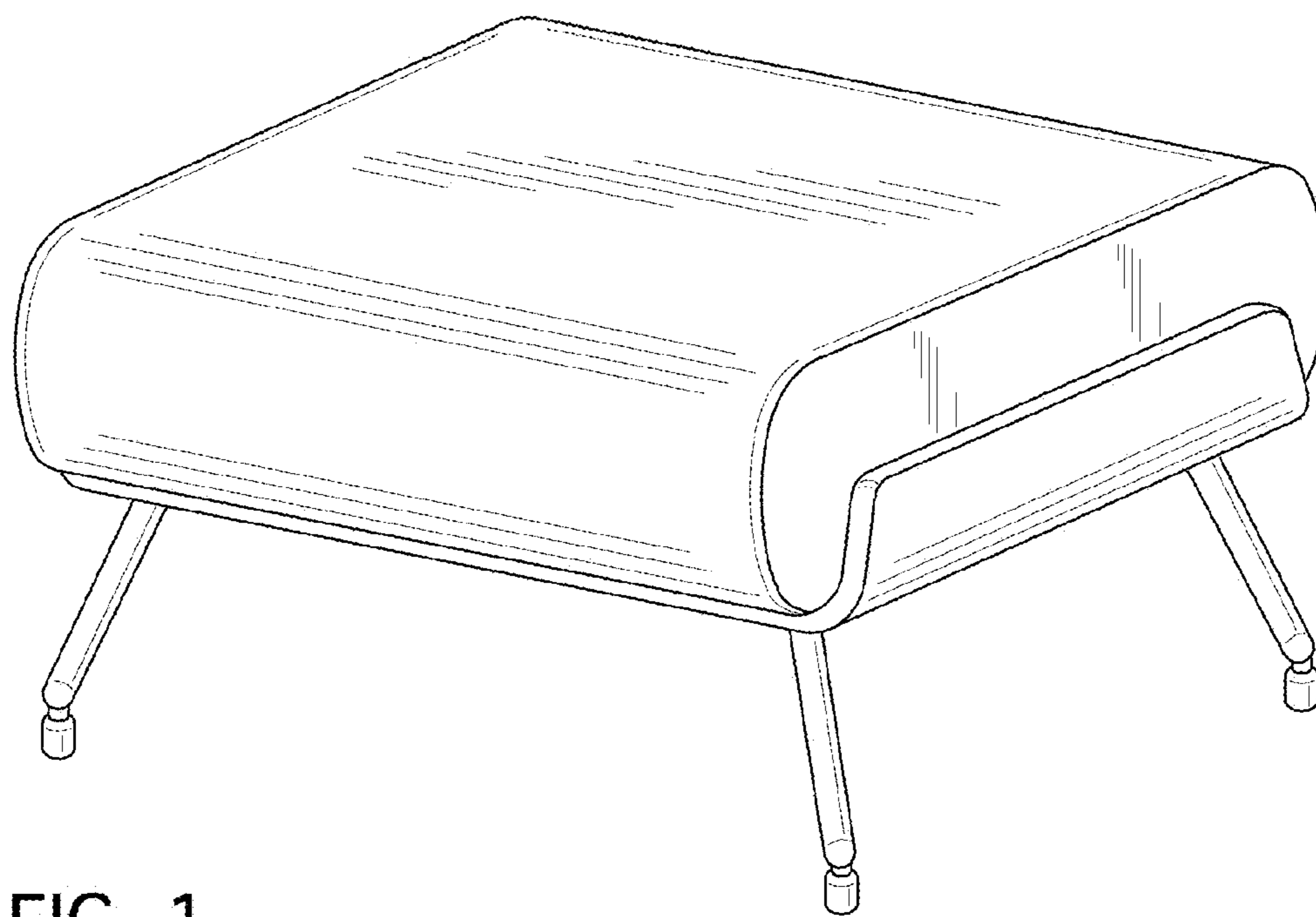


FIG. 1

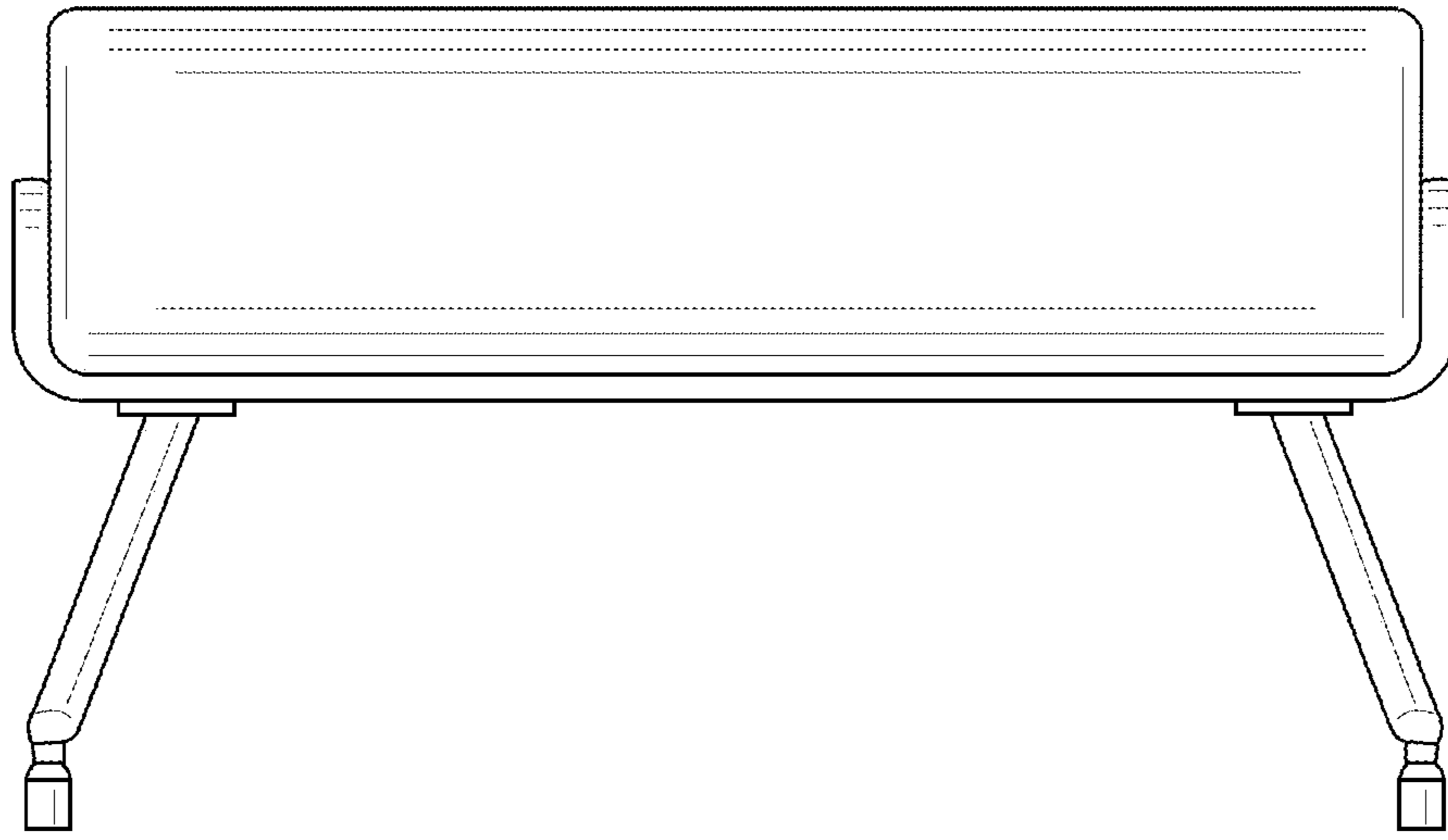


FIG. 2

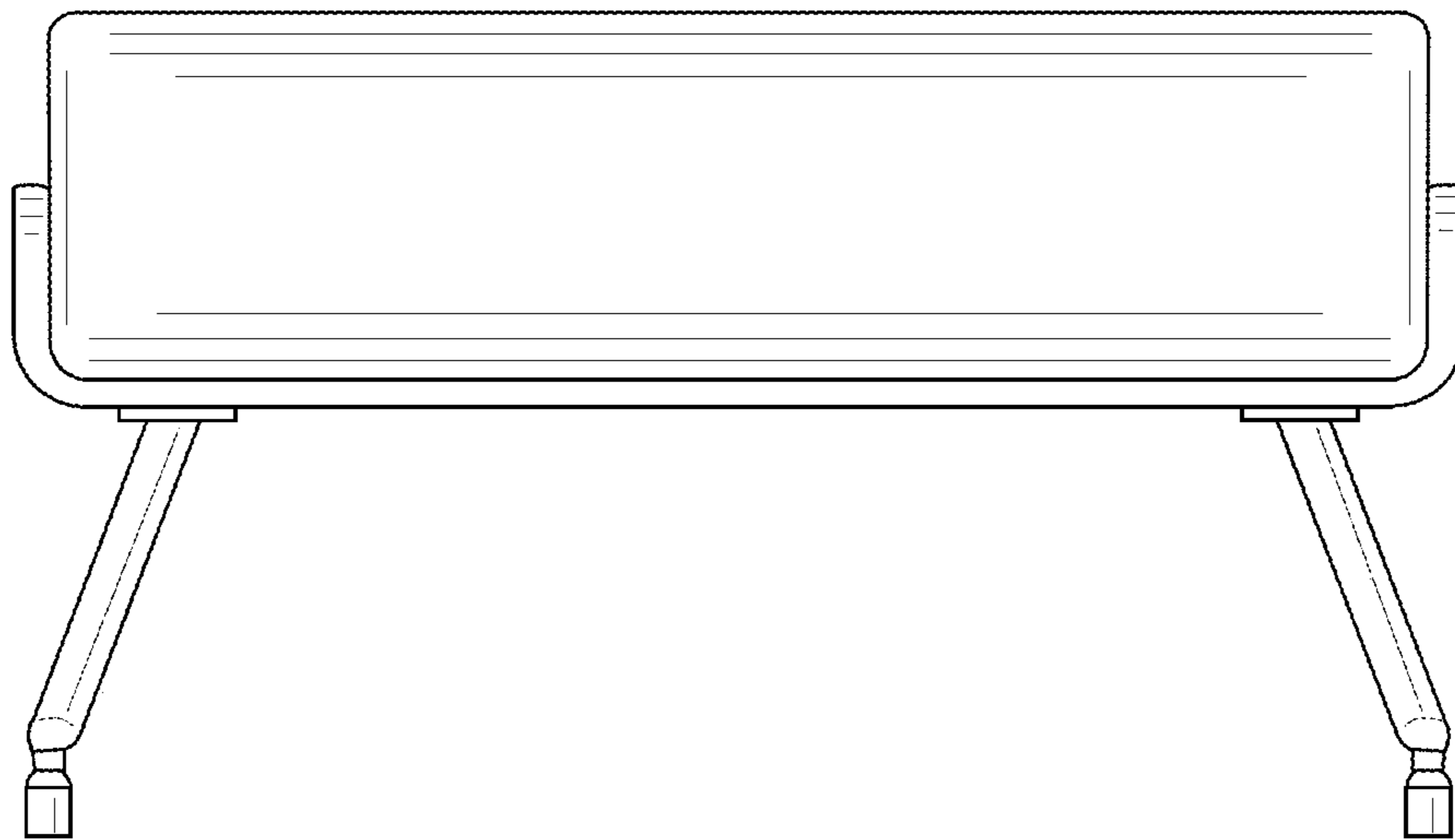


FIG. 3

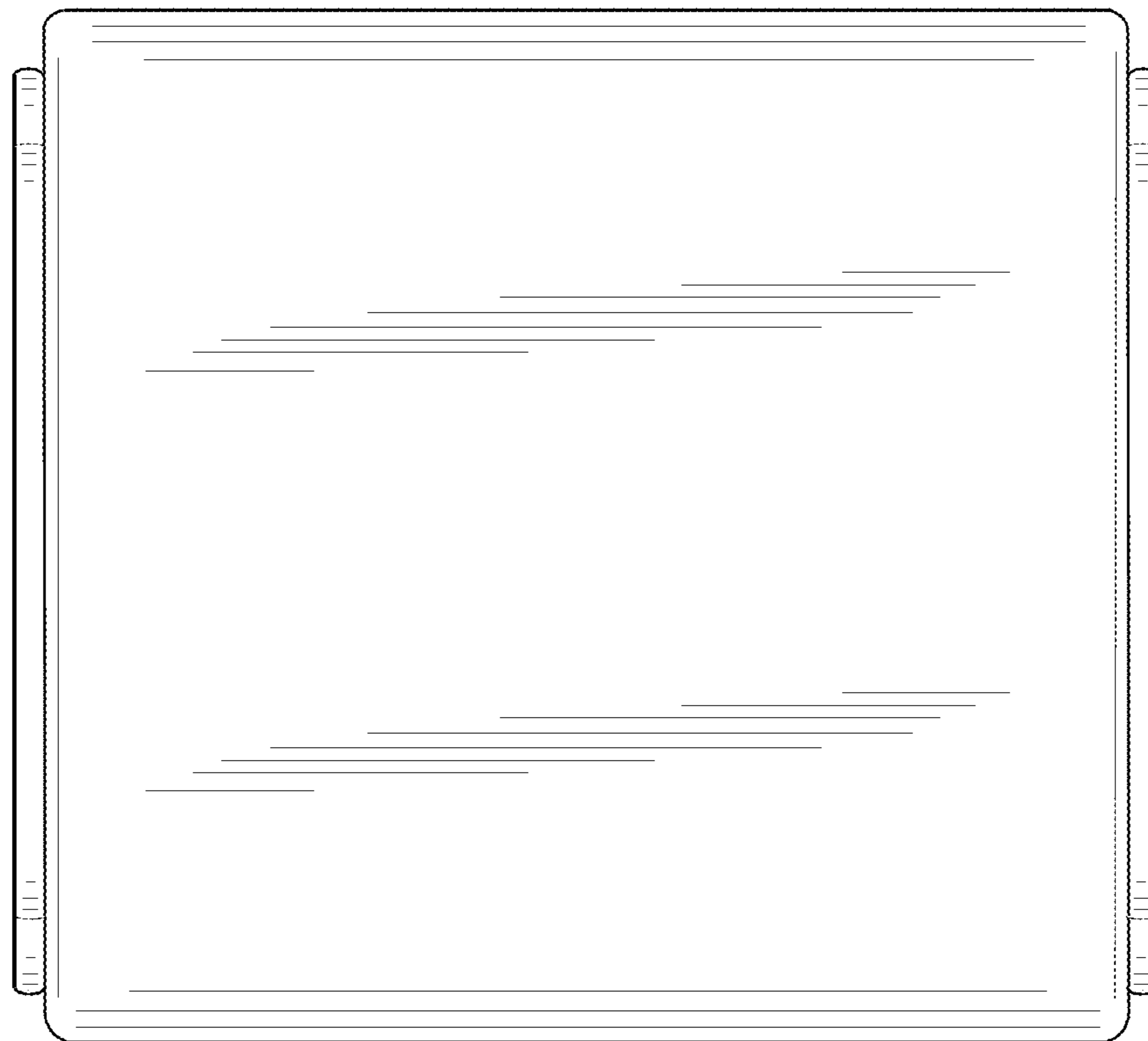


FIG. 4

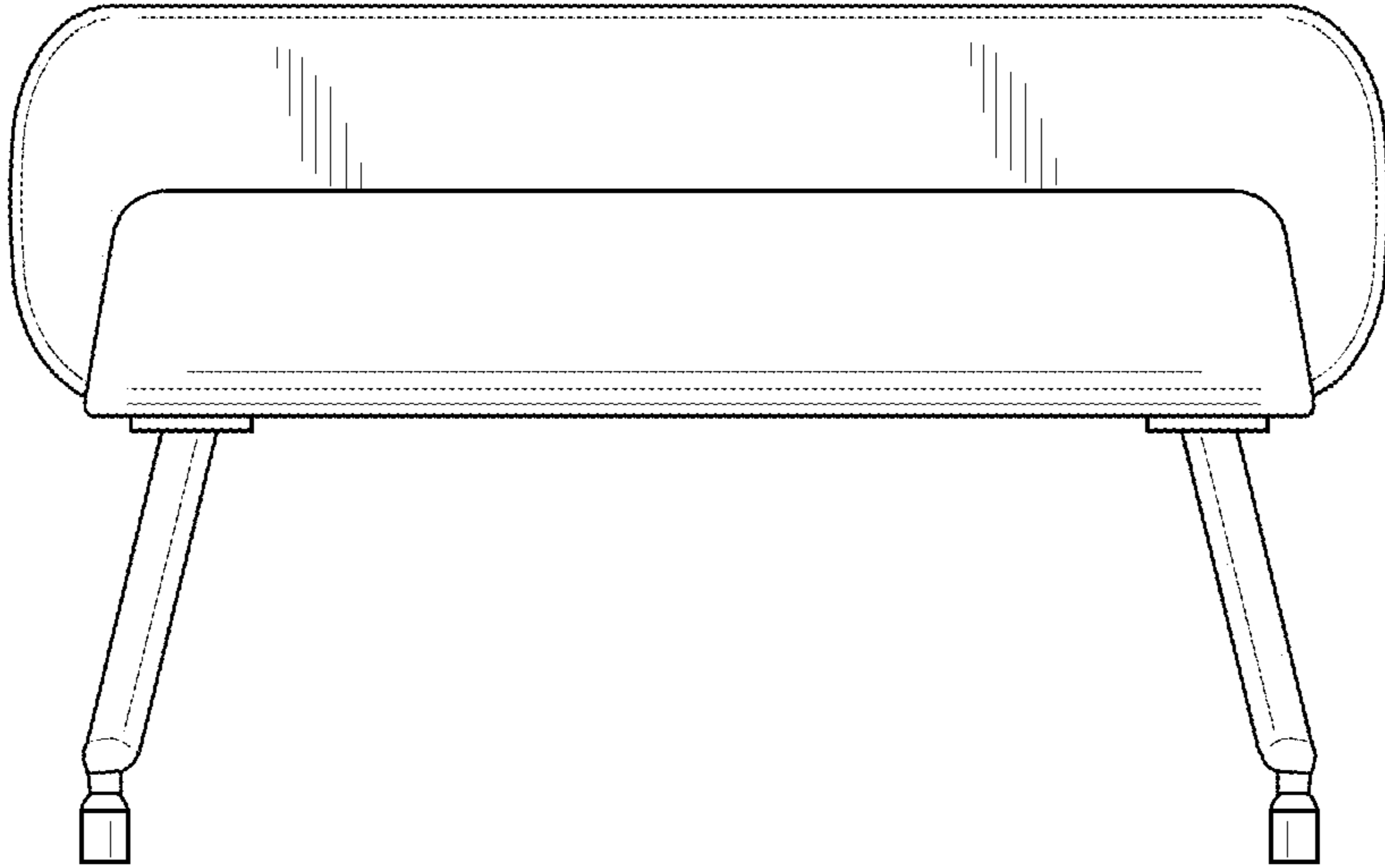


FIG. 5

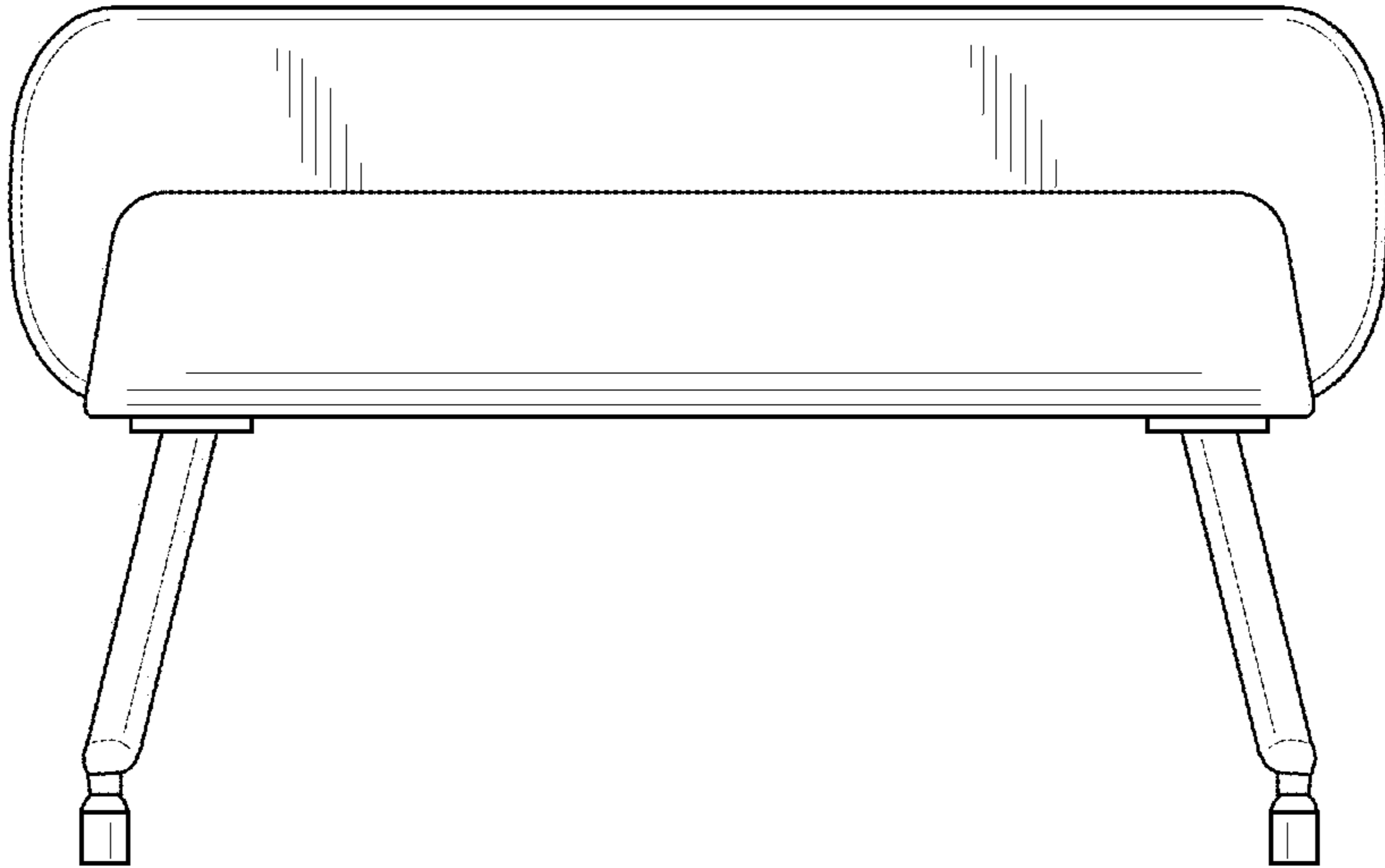


FIG. 6

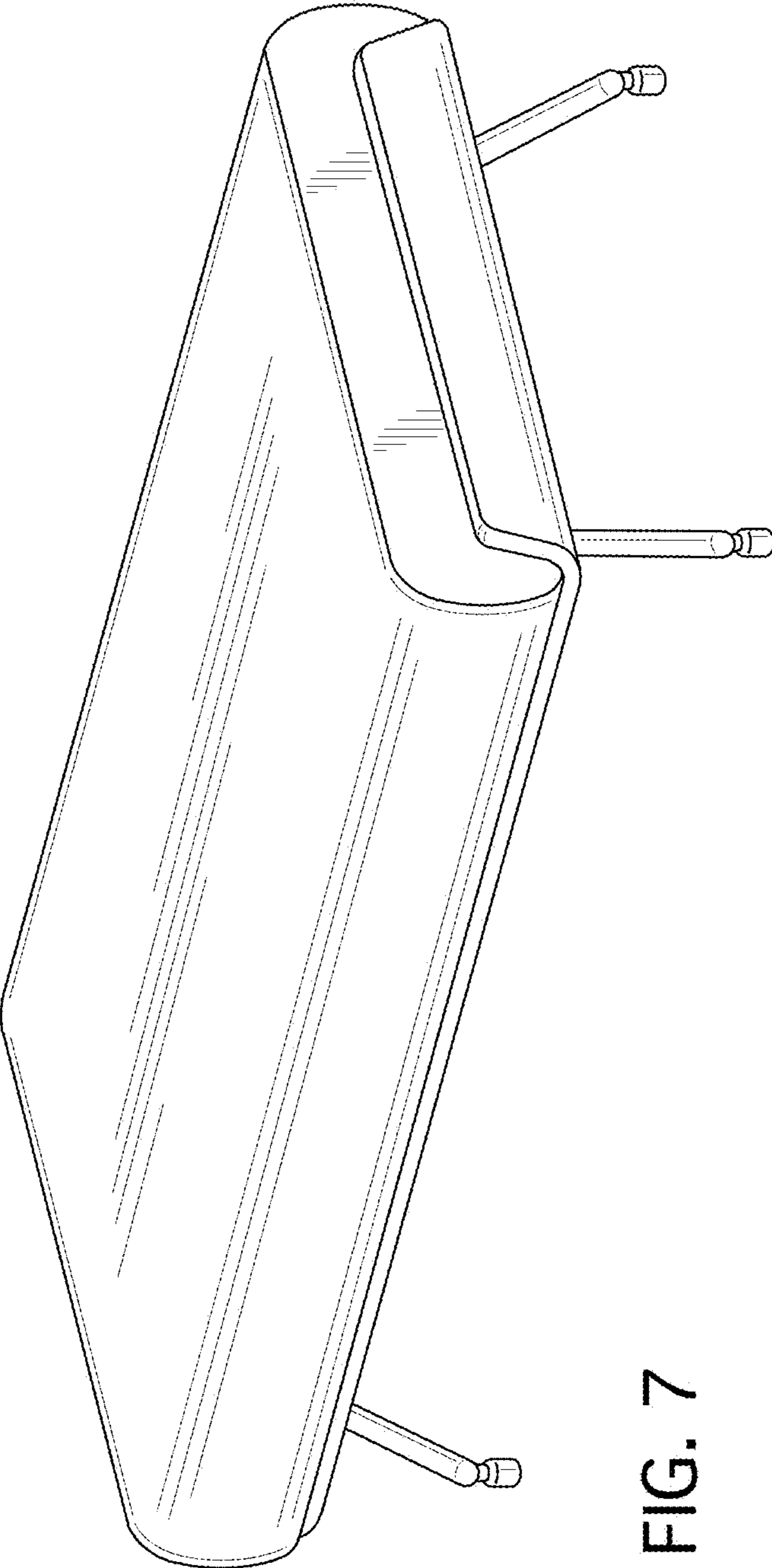


FIG. 7

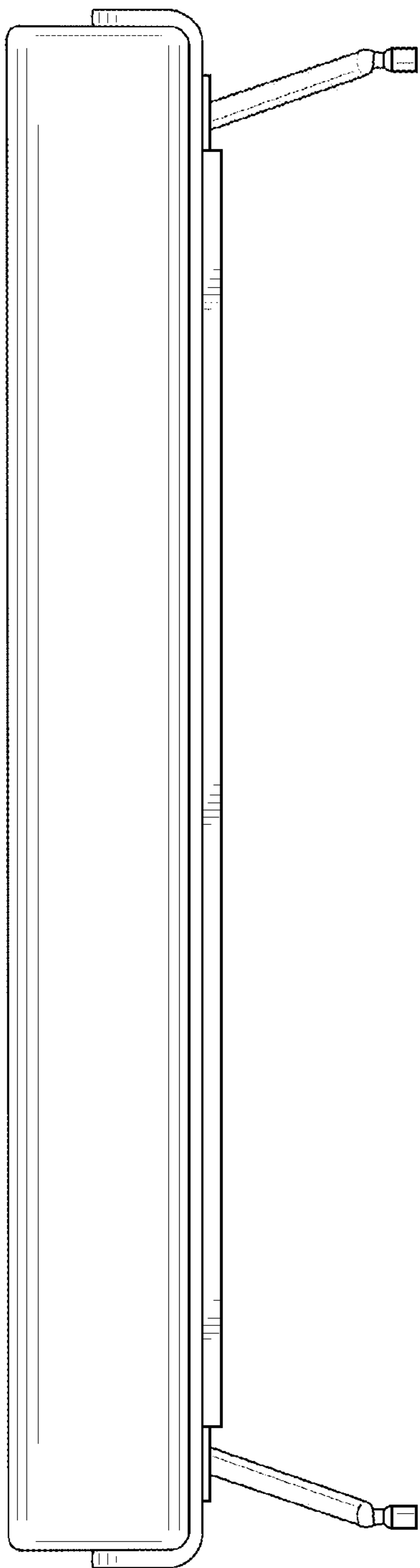


FIG. 8

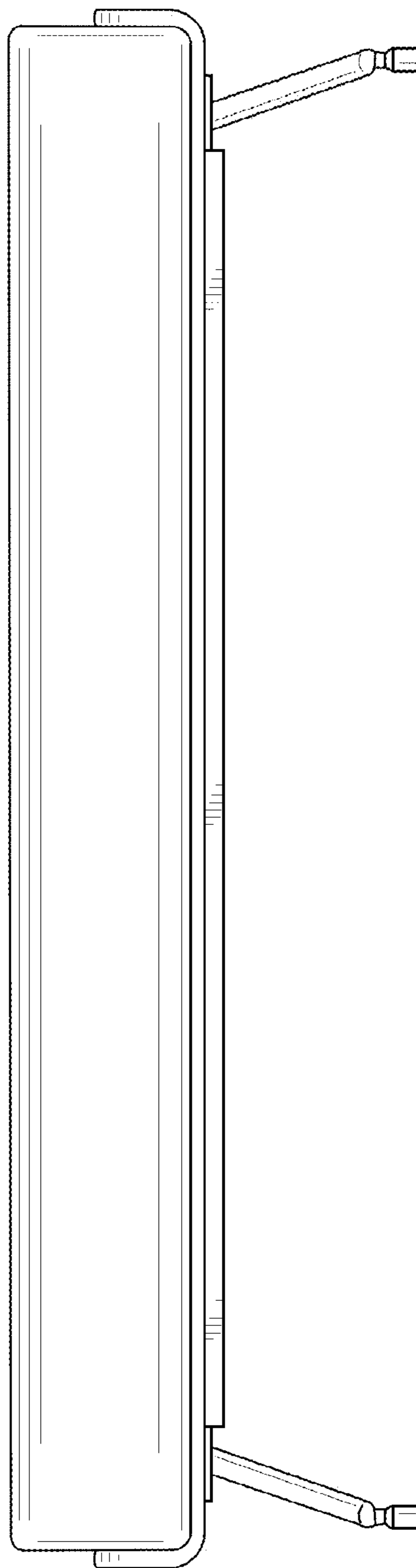


FIG. 9

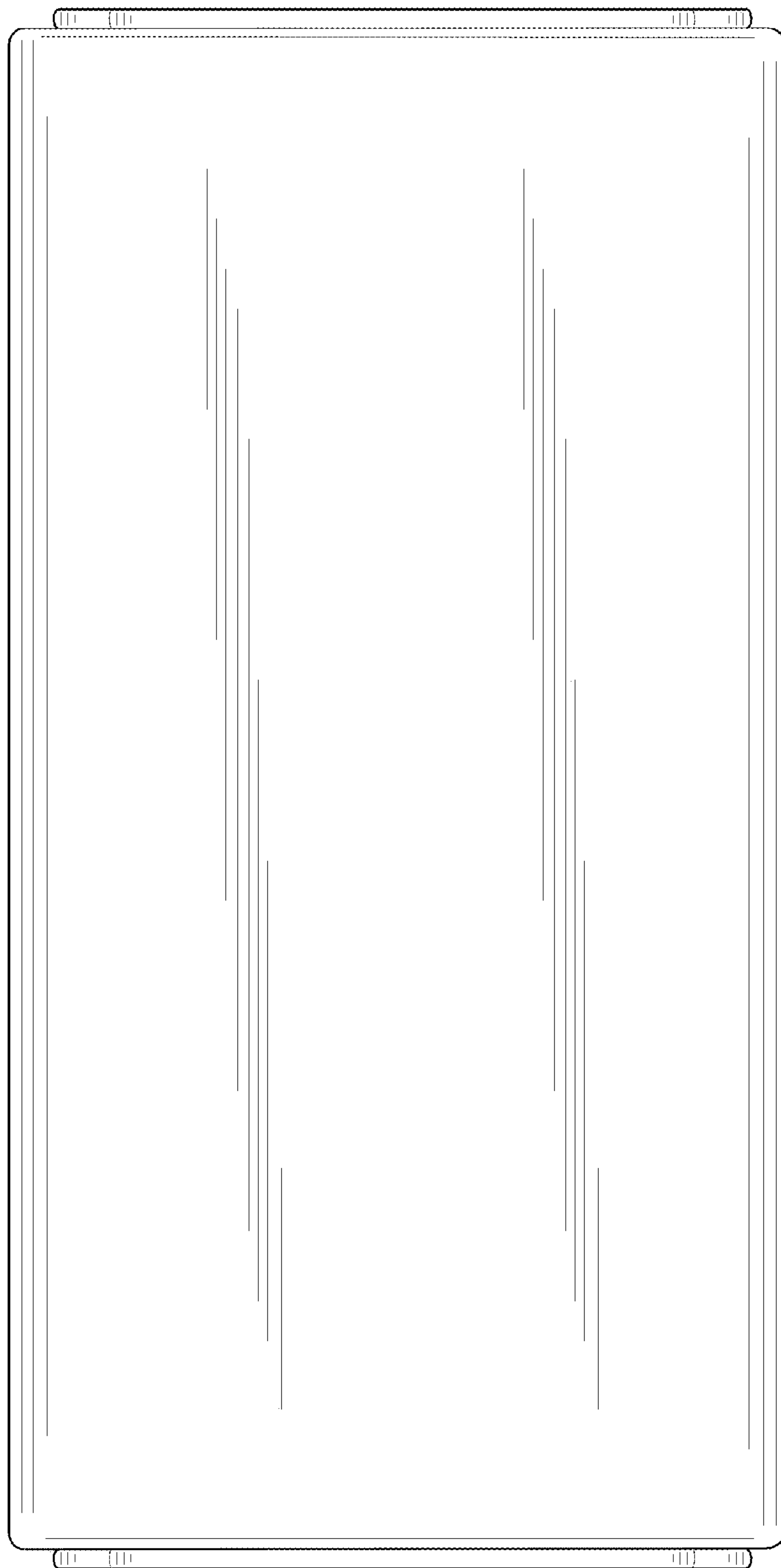


FIG. 10

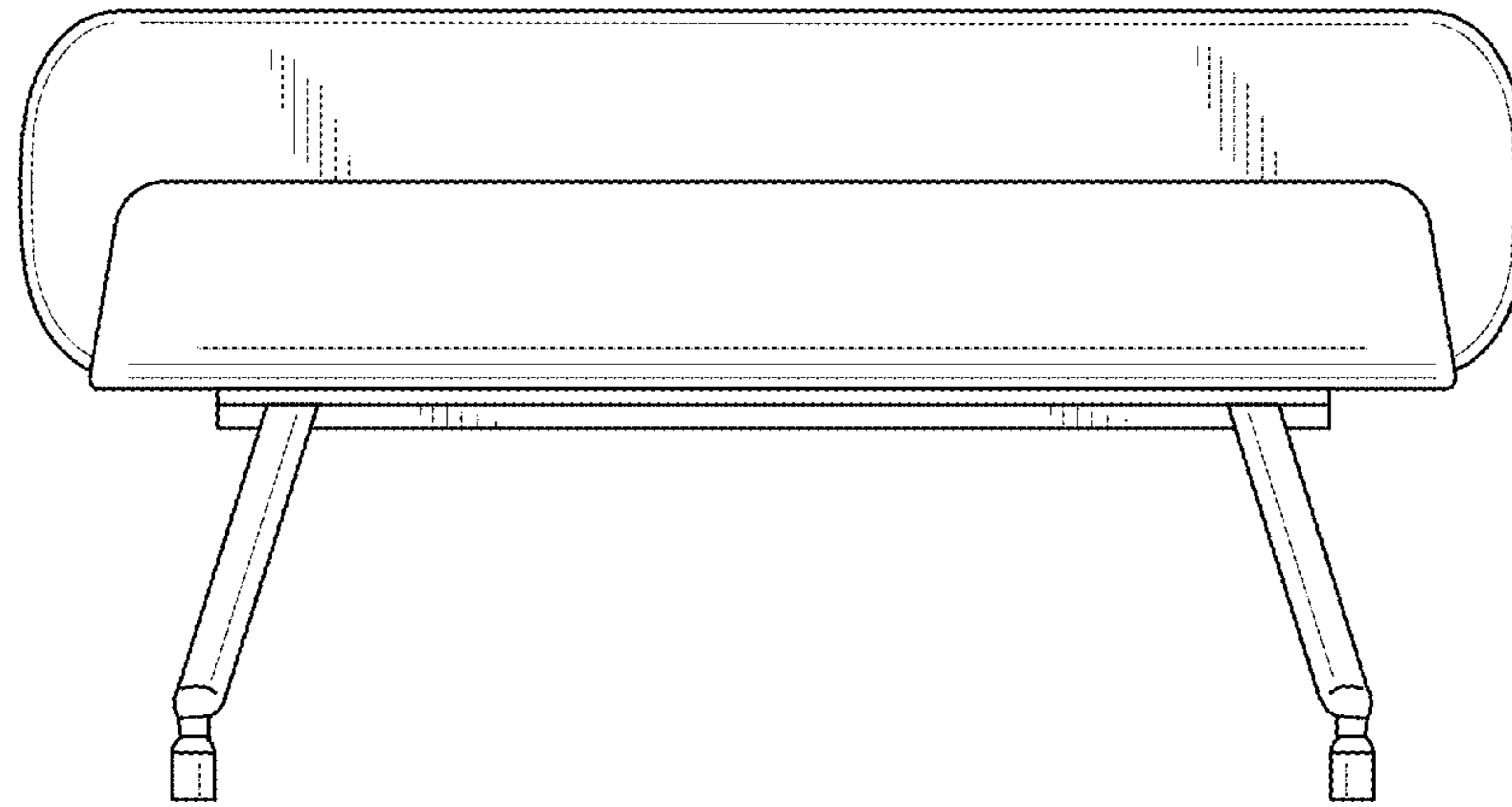


FIG. 11

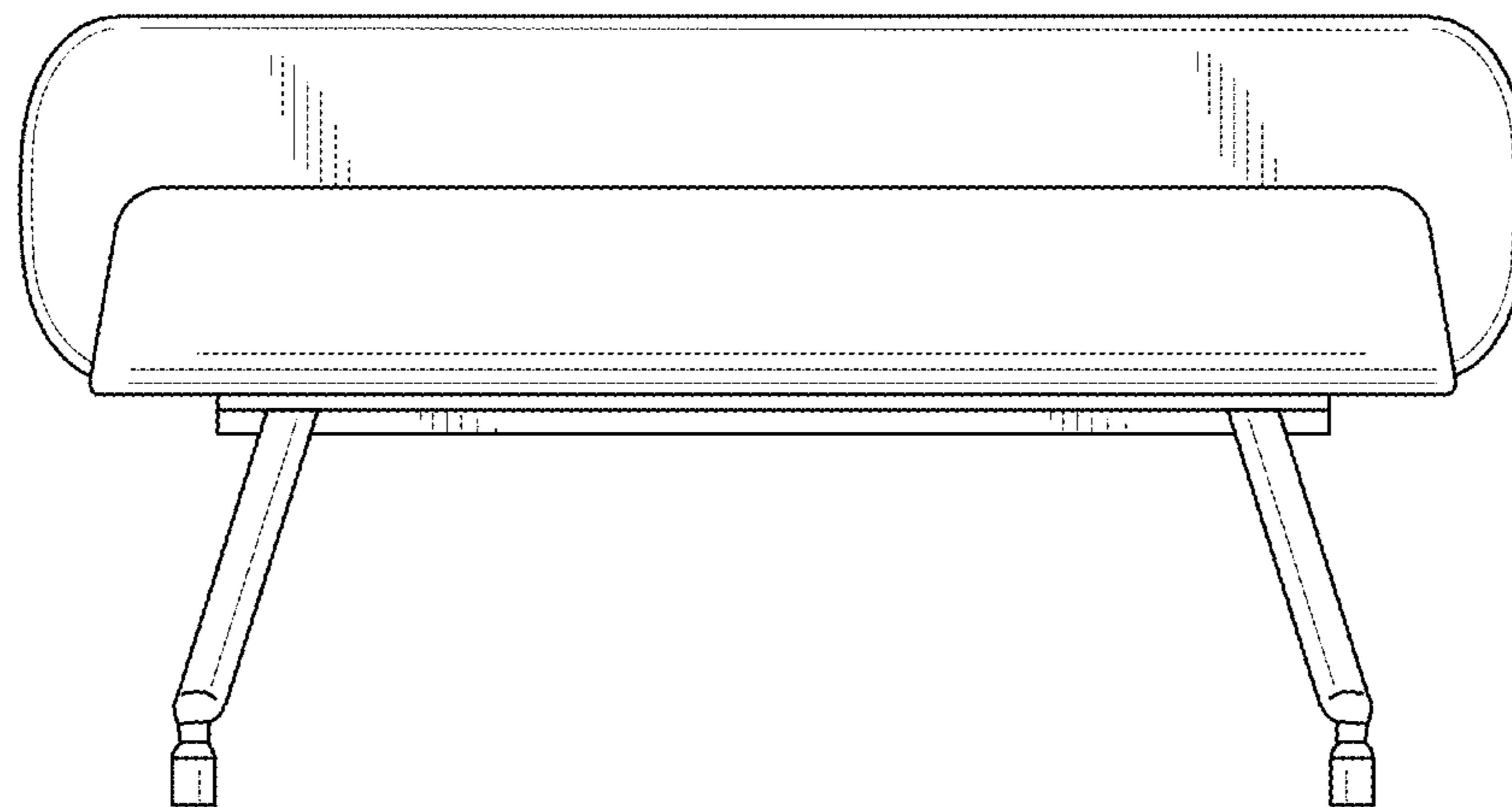


FIG. 12