

US00D699954S

(12) **United States Design Patent**
Hidalgo

(10) **Patent No.:** **US D699,954 S**

(45) **Date of Patent:** **** Feb. 25, 2014**

(54) **CHAIR**

(71) Applicant: **Haworth, Inc.**, Holland, MI (US)

(72) Inventor: **Maria Patricia Urquiola Hidalgo**,
Milan (IT)

(73) Assignee: **Haworth, Inc.**, Holland, MI (US)

(**) Term: **14 Years**

(21) Appl. No.: **29/456,832**

(22) Filed: **Jun. 4, 2013**

(51) **LOC (10) Cl.** **06-01**

(52) **U.S. Cl.**
USPC **D6/335**

(58) **Field of Classification Search**
USPC D6/334–338, 349, 355, 361, 368–370,
D6/376, 379–381, 492, 500–502, 716,
D6/716.1, 716.2; 297/16.1, 42, 94, 135,
297/175, 232, 233, 350, 351, 445.1, 448.1,
297/448.2, 451.9; 5/12.1, 12.2

See application file for complete search history.

(56) **References Cited**

U.S. PATENT DOCUMENTS

| | | | | | |
|------------|---|---------|------------------|-------|--------|
| D261,953 S | * | 11/1981 | Aronowitz et al. | | D6/364 |
| D262,163 S | * | 12/1981 | Aronowitz et al. | | D6/364 |
| D284,624 S | * | 7/1986 | Culler | | D6/371 |
| D405,274 S | * | 2/1999 | Smith | | D6/334 |
| D430,412 S | * | 9/2000 | Lewis | | D6/334 |
| D431,379 S | * | 10/2000 | Lewis | | D6/334 |
| D434,233 S | * | 11/2000 | Frankel et al. | | D6/334 |
| D523,648 S | * | 6/2006 | Mourgue | | D6/334 |

| | | | | | |
|------------|---|---------|------------------|-------|--------|
| D532,618 S | * | 11/2006 | Mourgue | | D6/352 |
| D655,927 S | * | 3/2012 | Orlandini et al. | | D6/334 |
| D670,924 S | * | 11/2012 | Park et al. | | D6/335 |
| D689,290 S | * | 9/2013 | Chen | | D6/334 |

* cited by examiner

Primary Examiner — Sandra Snapp

(74) *Attorney, Agent, or Firm* — Warner Norcross & Judd
LLP

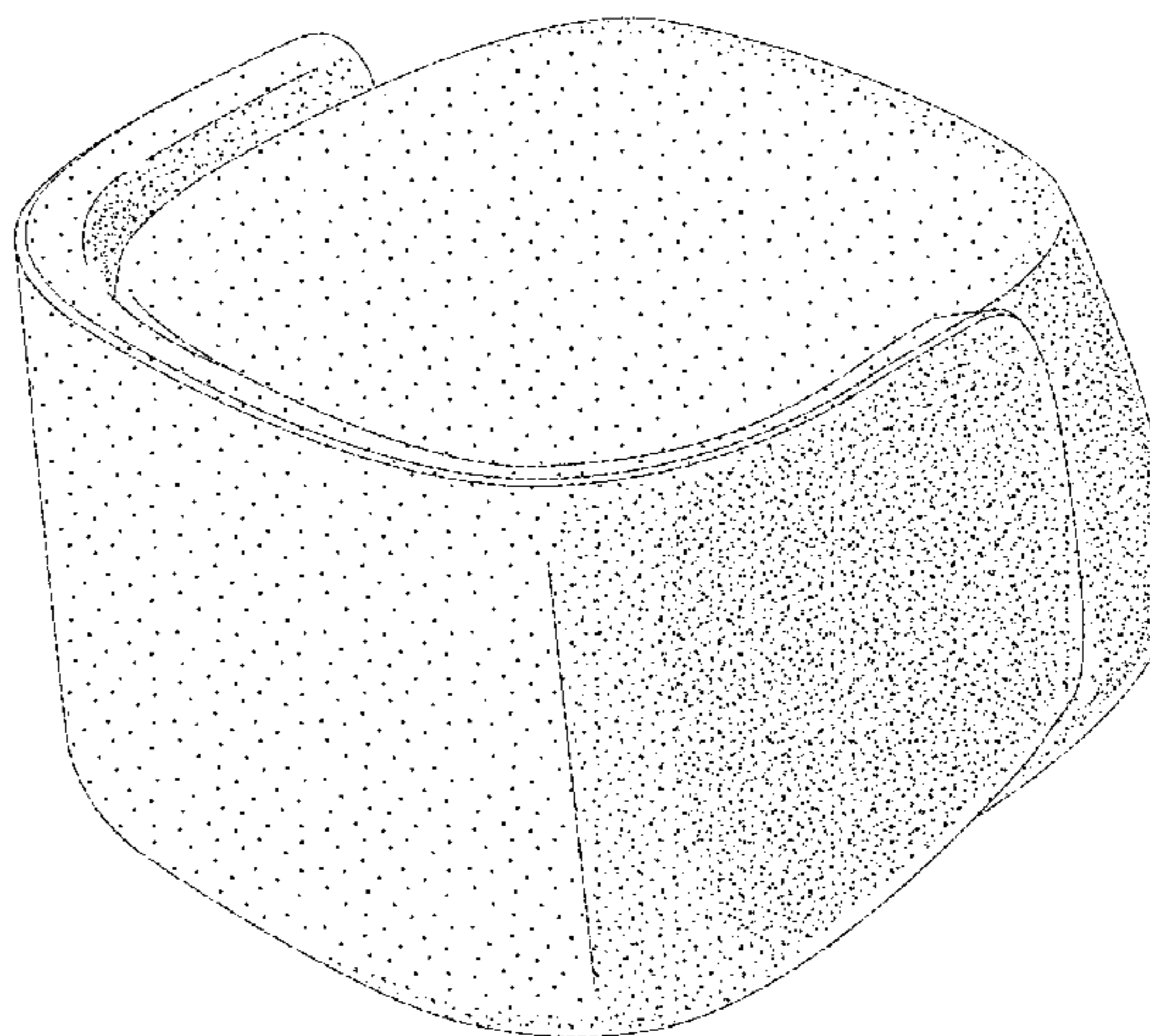
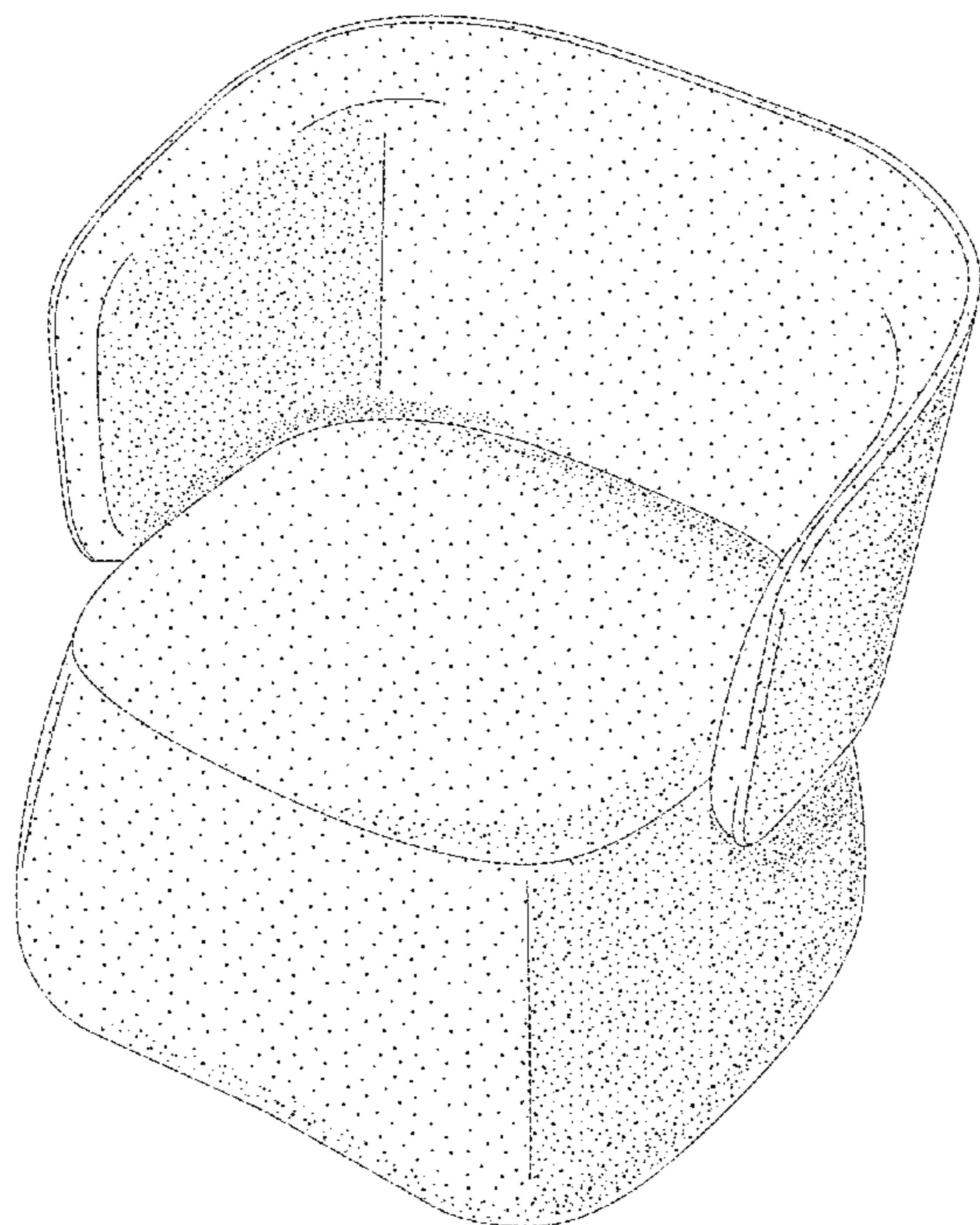
(57) **CLAIM**

The ornamental design for a chair, as shown and described.

DESCRIPTION

FIG. 1 is a perspective view of the chair embodying the new design;
 FIG. 2 is a right side view, the left side view being a mirror image thereof;
 FIG. 3 is a front view thereof;
 FIG. 4 is a rear view thereof;
 FIG. 5 is a top view thereof;
 FIG. 6 is a bottom view thereof;
 FIG. 7 is a perspective of the chair showing the back support in a folded down position;
 FIG. 8 is a right side view thereof, the left side view being a mirror image;
 FIG. 9 is a front view thereof;
 FIG. 10 is a rear view thereof;
 FIG. 11 is a top view thereof; and,
 FIG. 12 is a bottom view thereof.

1 Claim, 12 Drawing Sheets



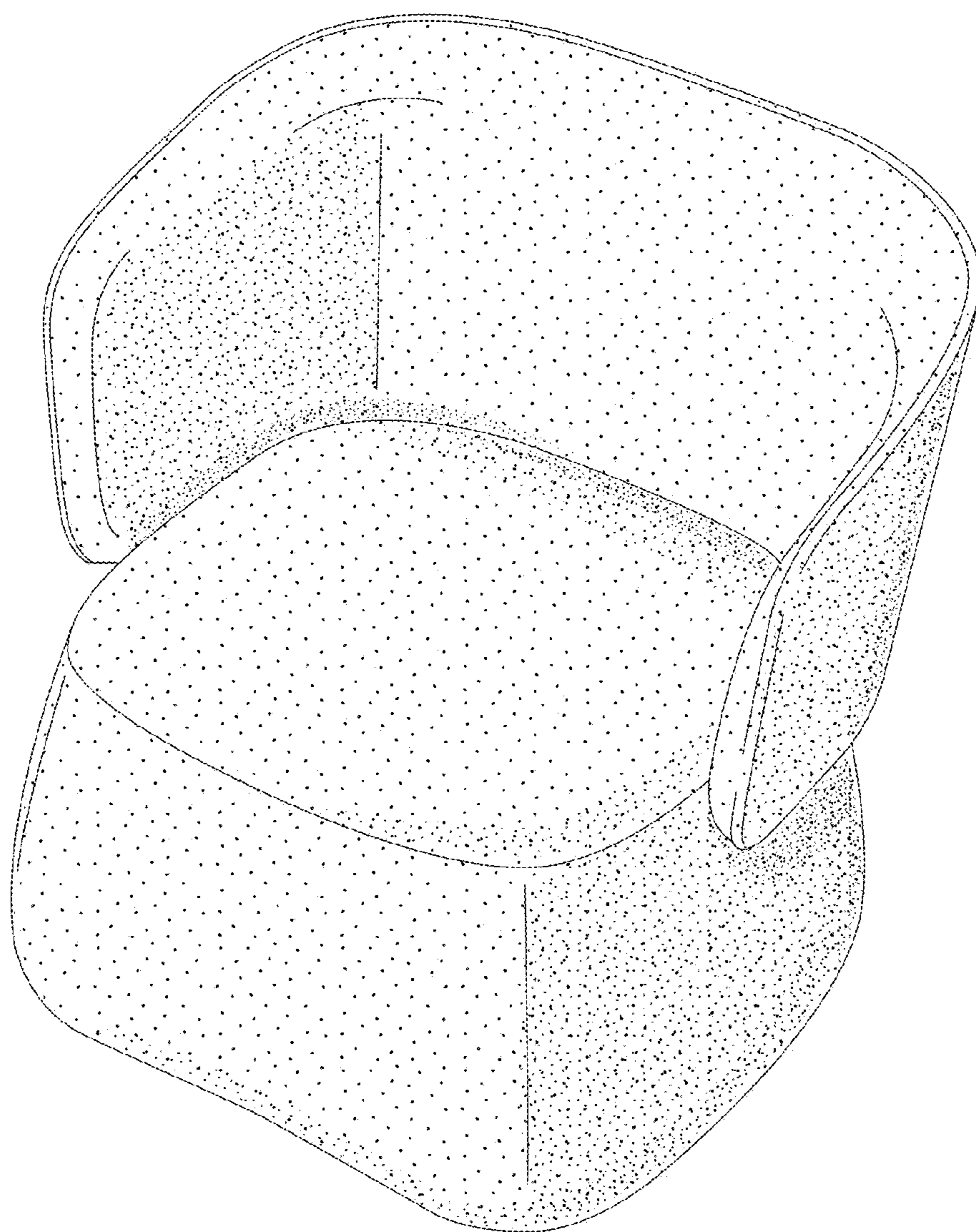


Fig. 1

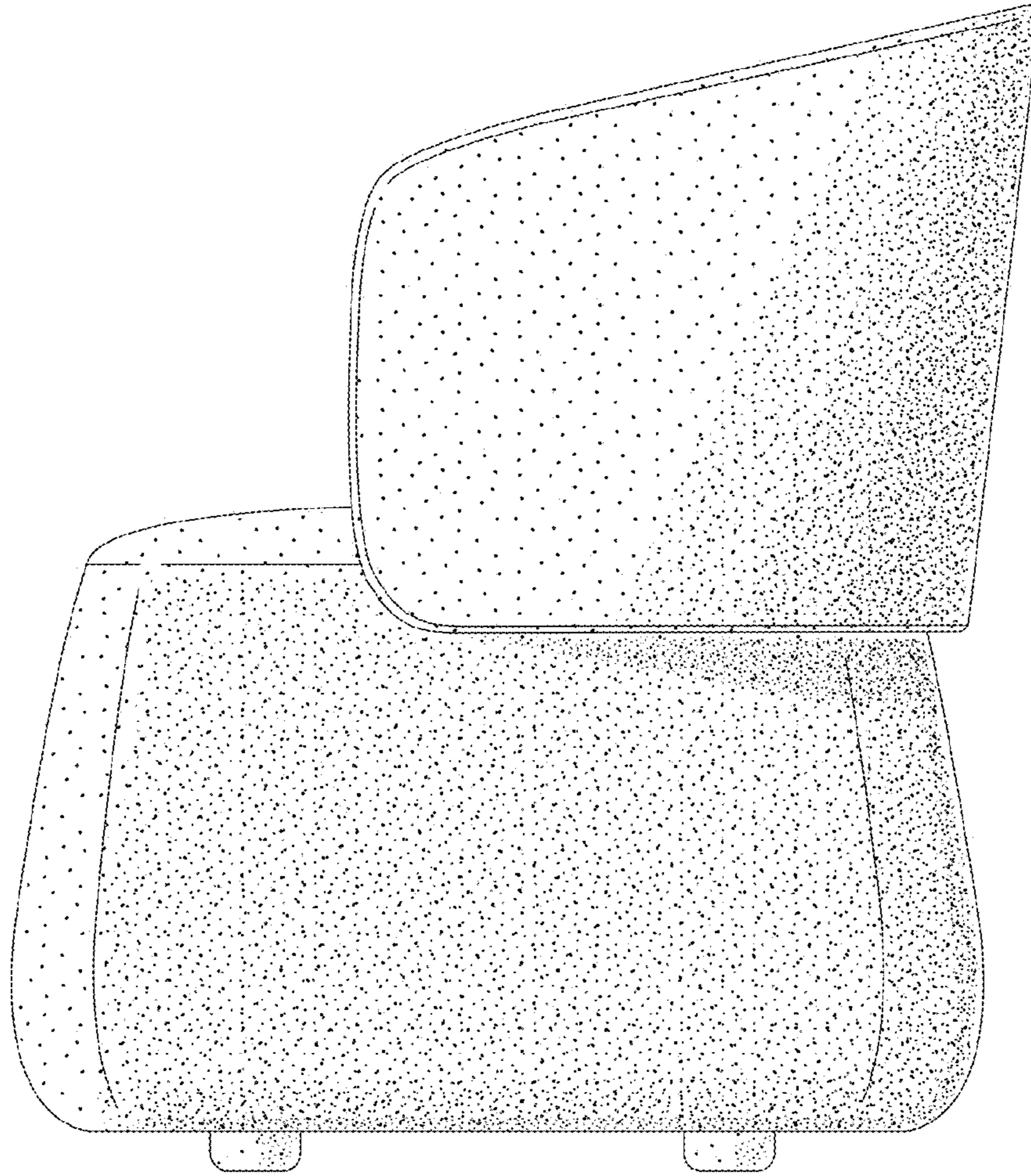


Fig. 2

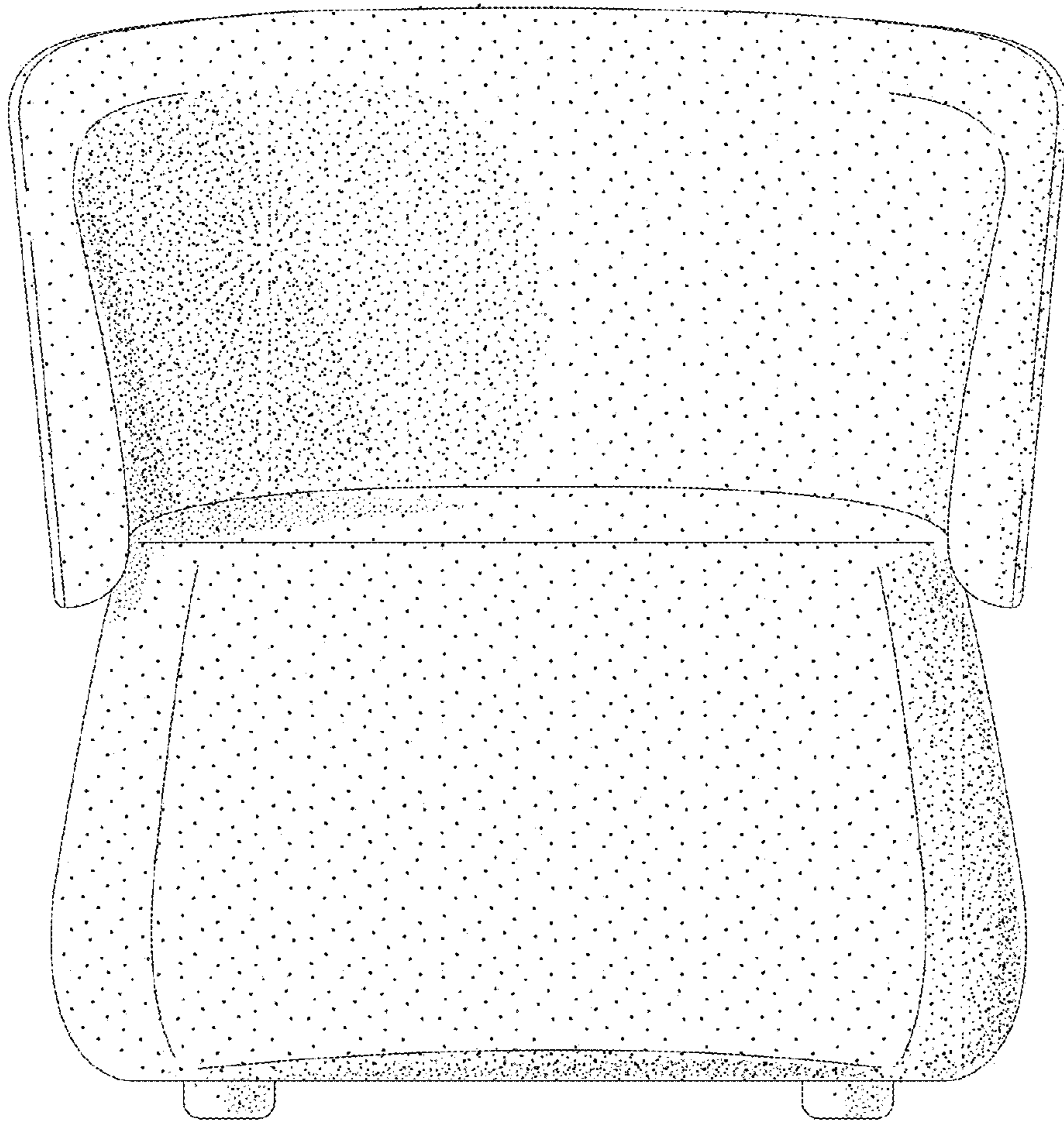


Fig. 3

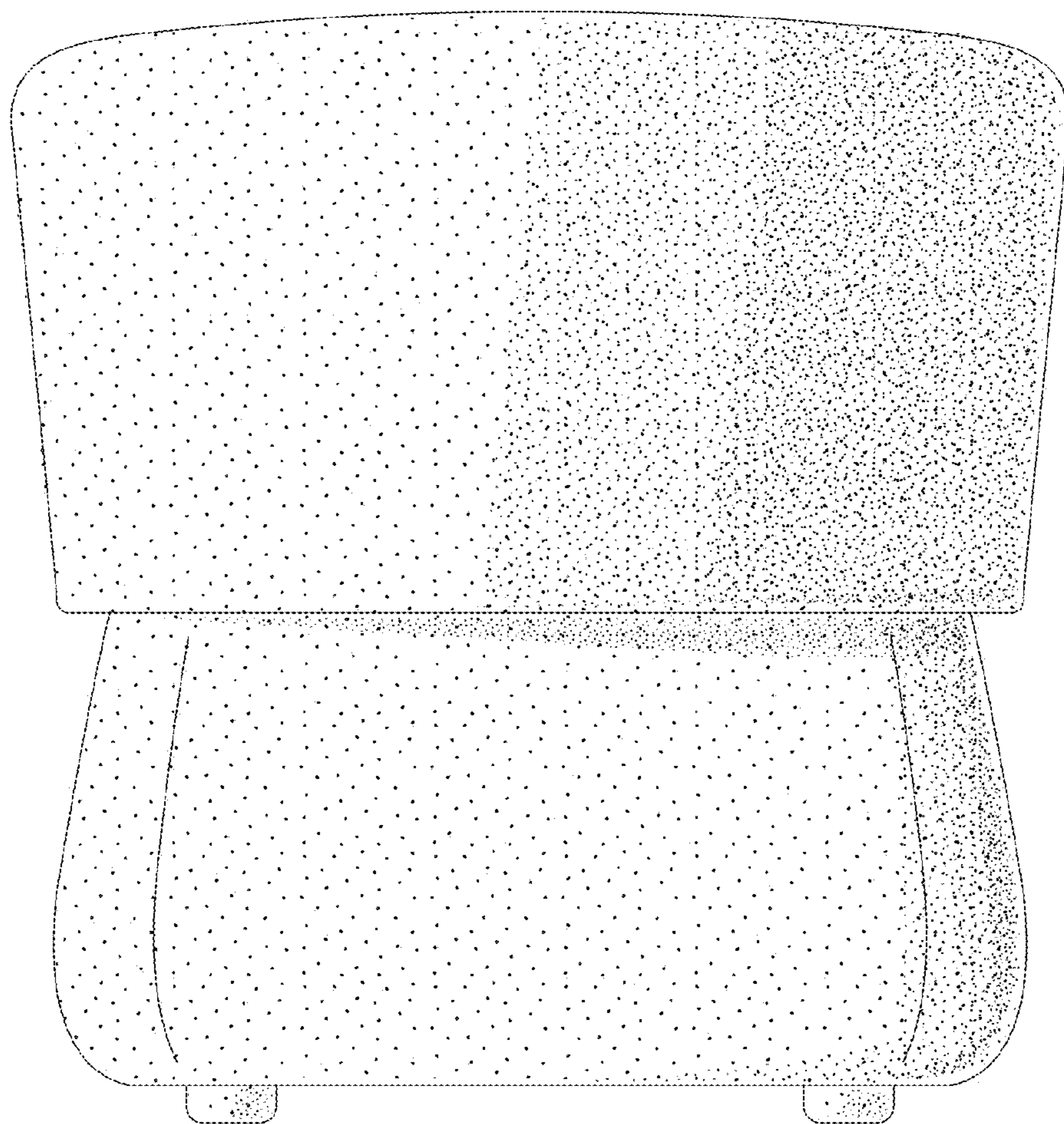


Fig. 4

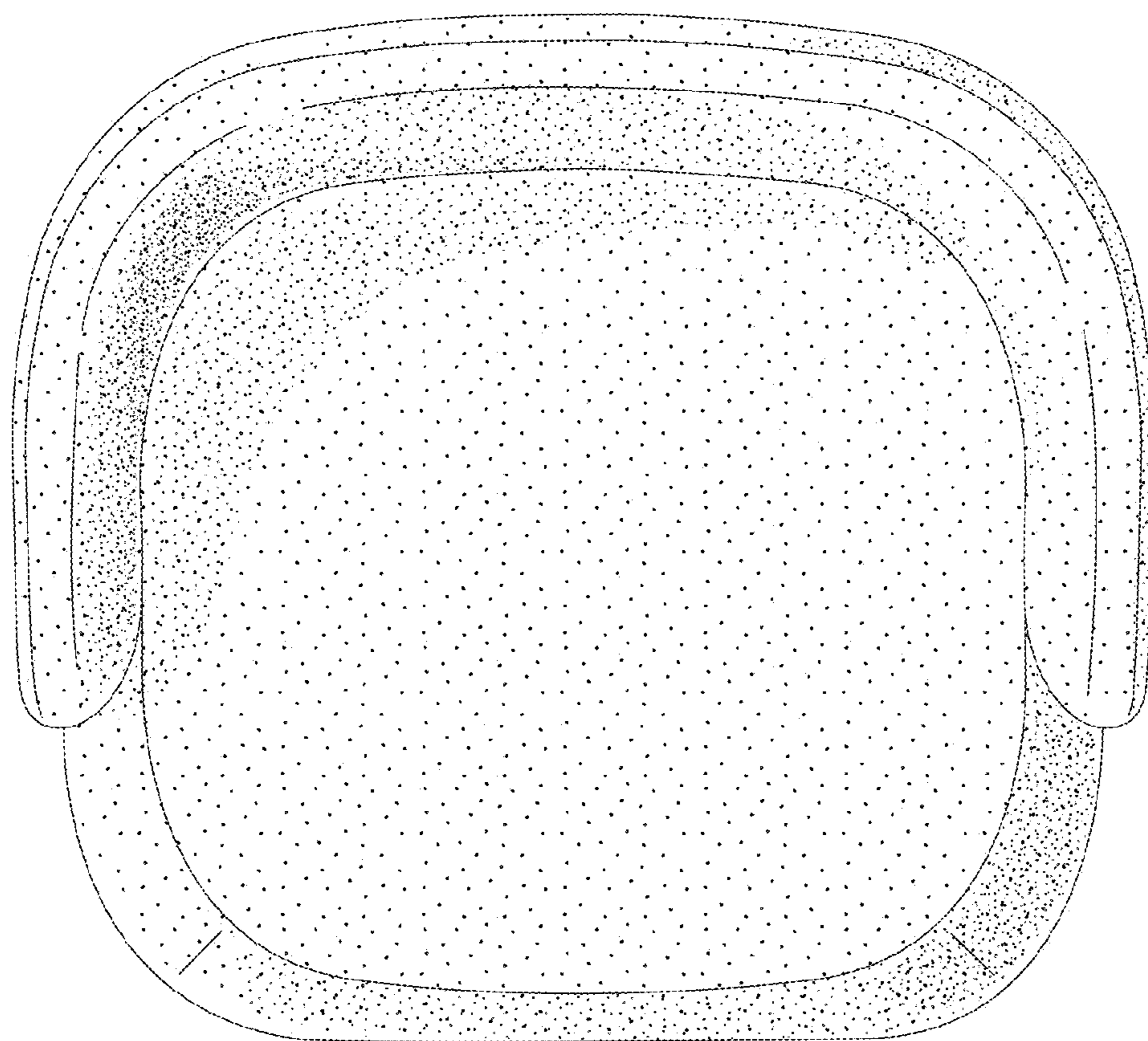


Fig. 5

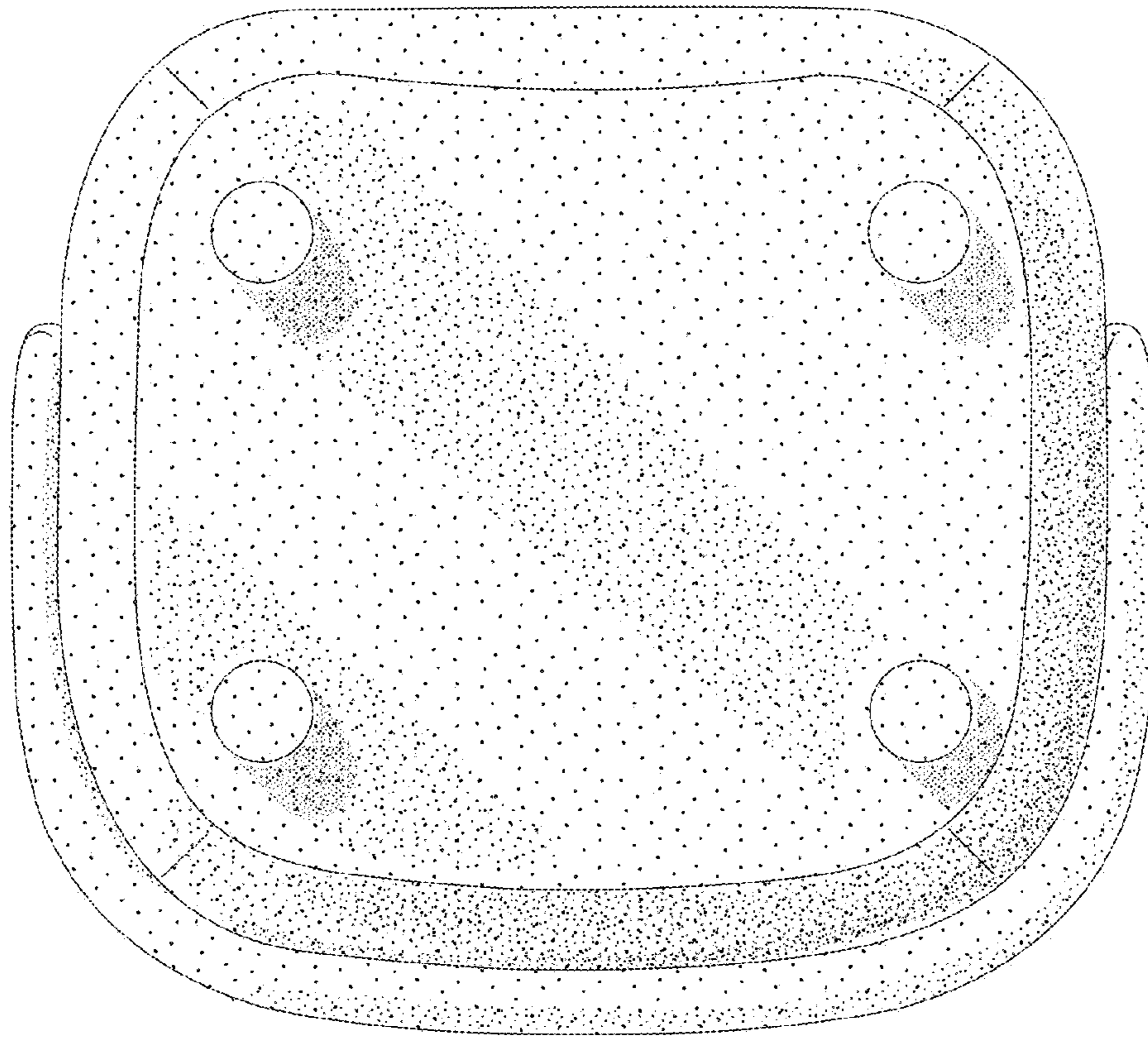


Fig. 6

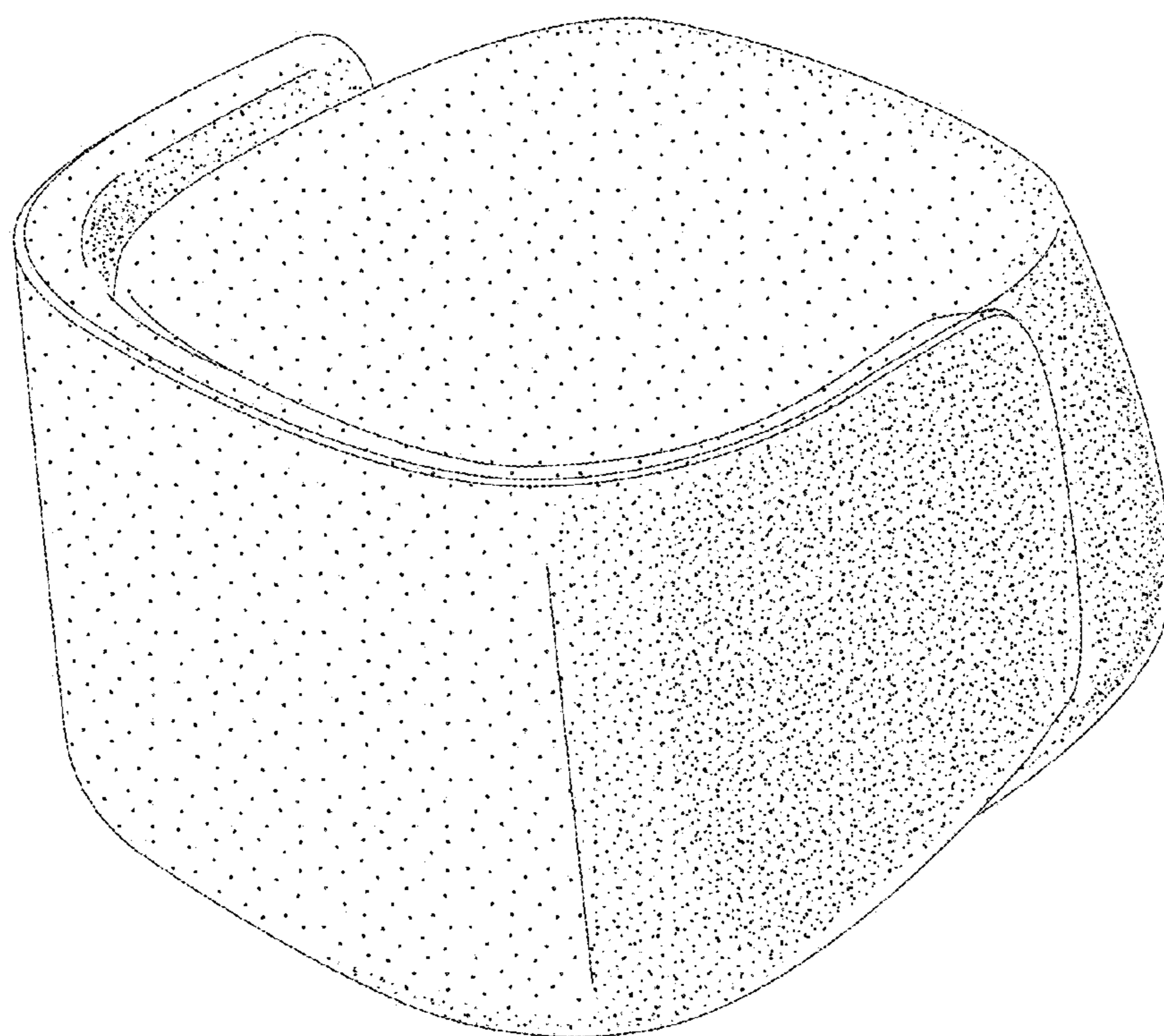


Fig. 7

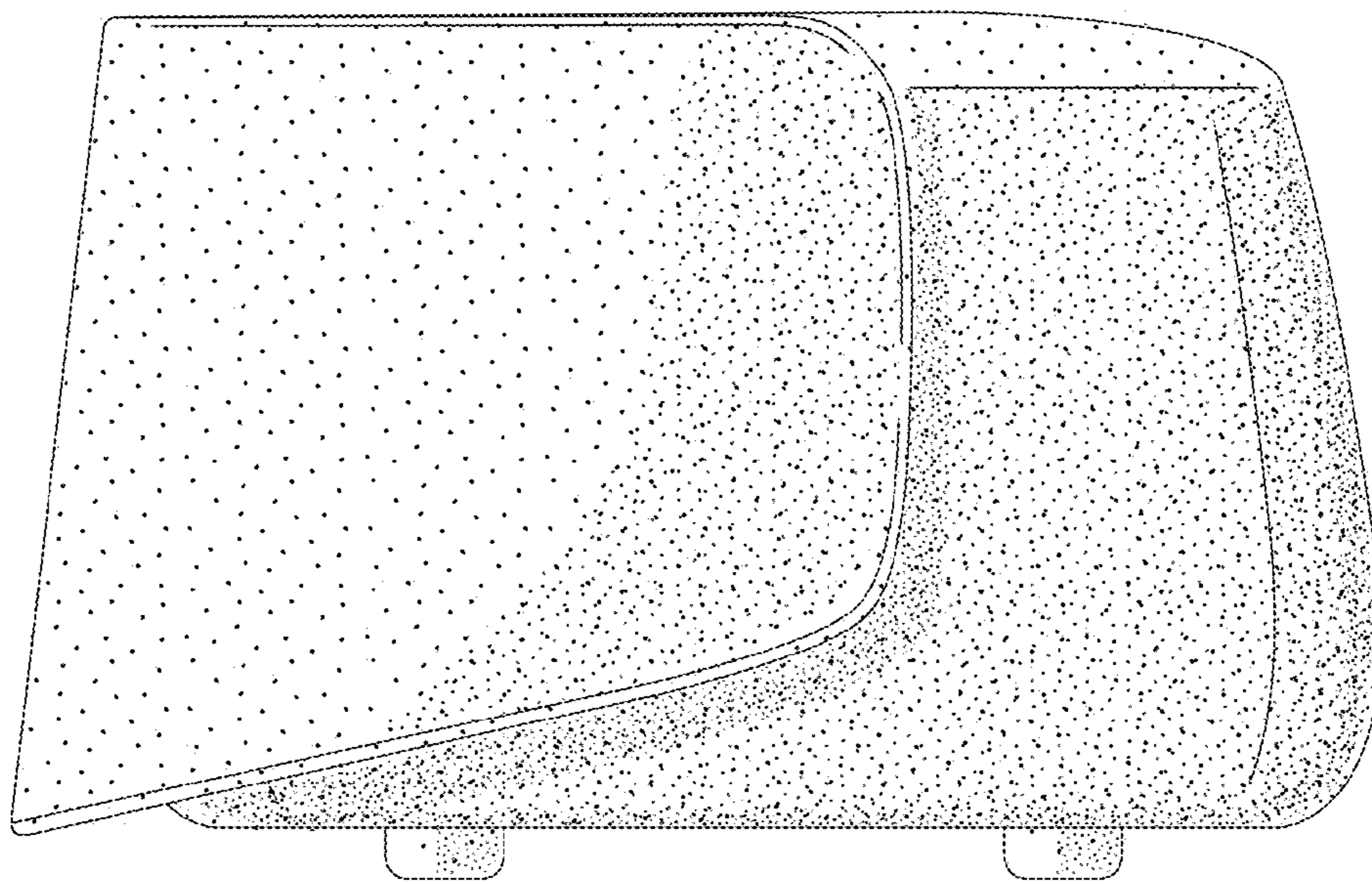


Fig. 8

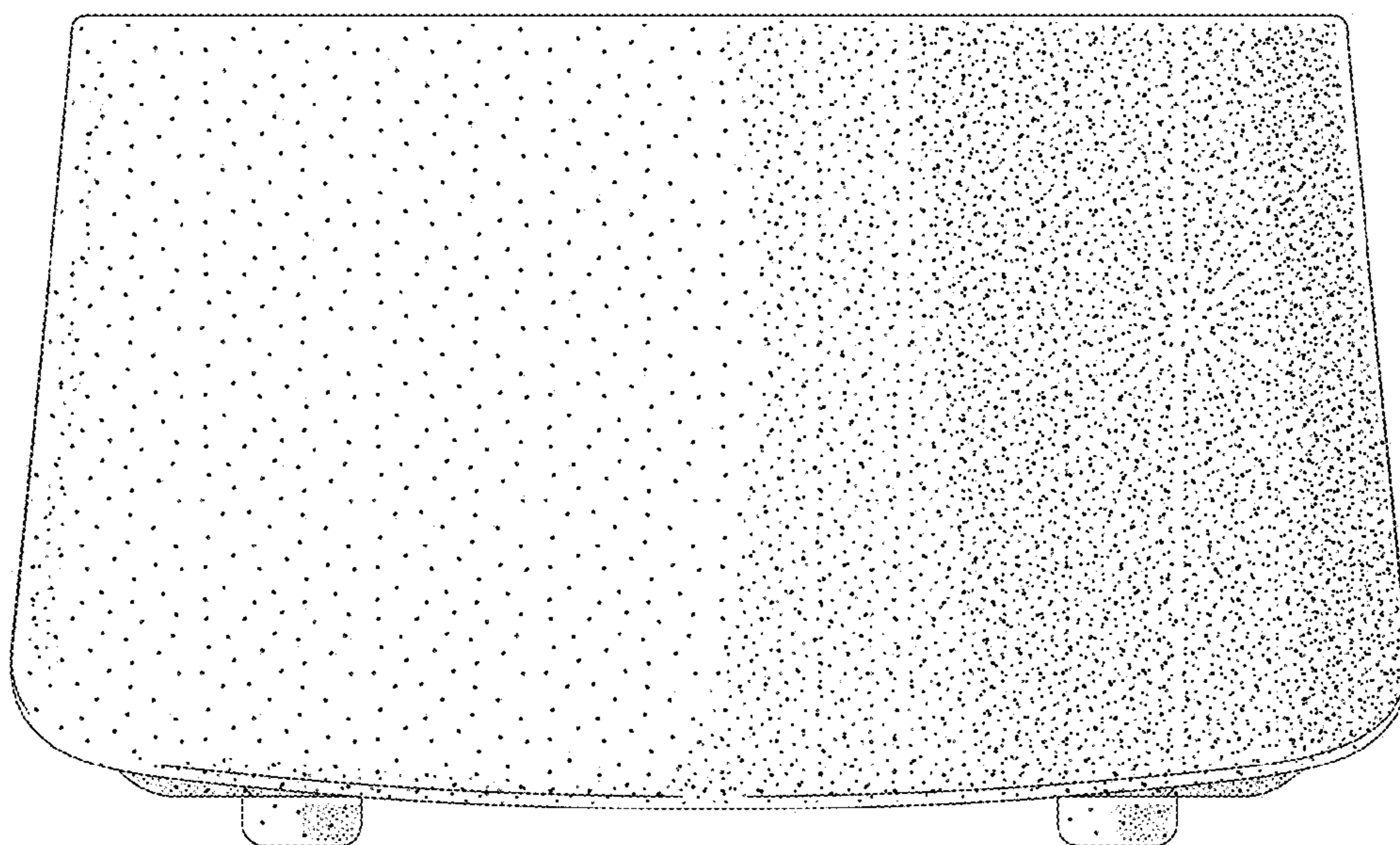


Fig. 9

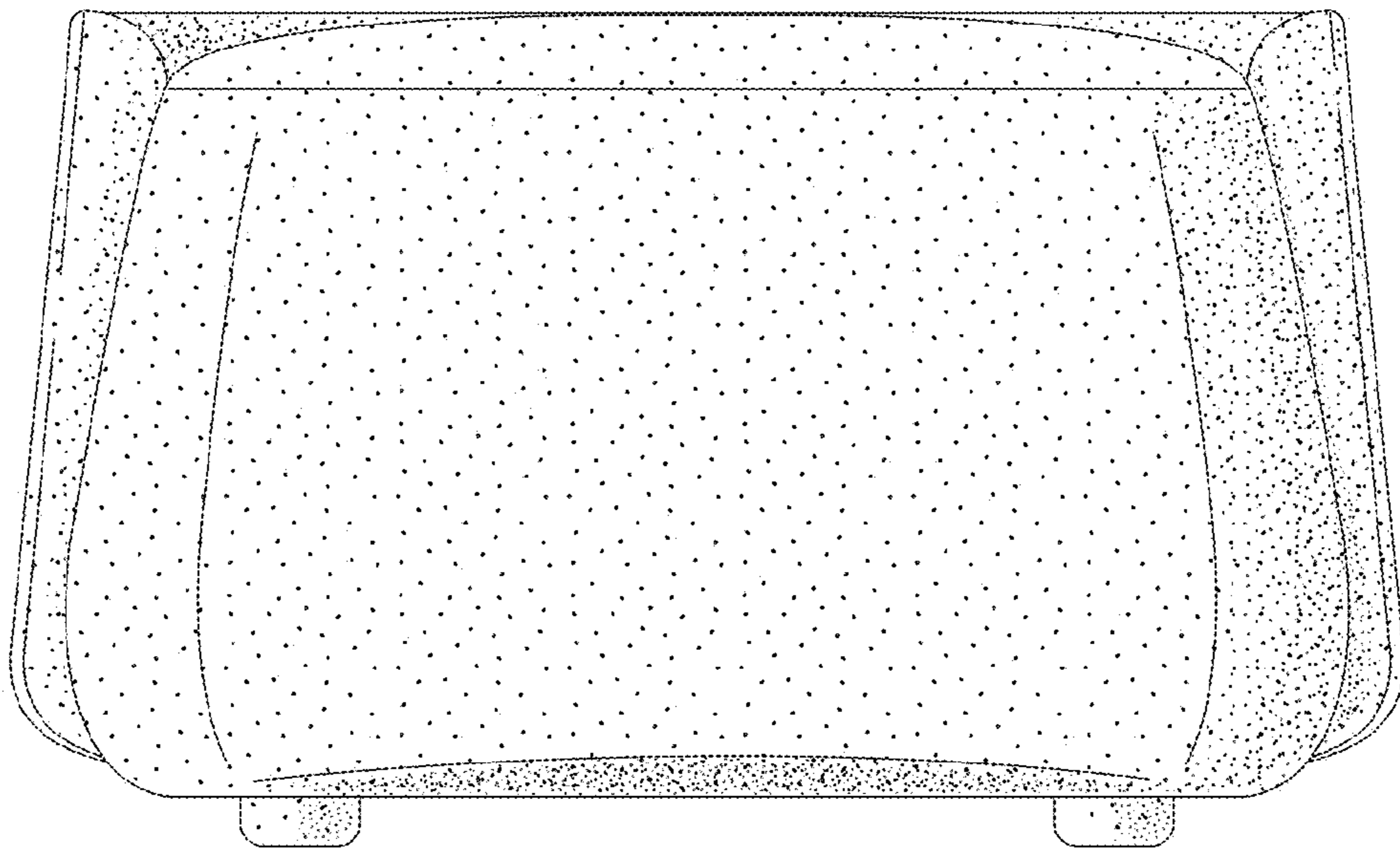


Fig. 10

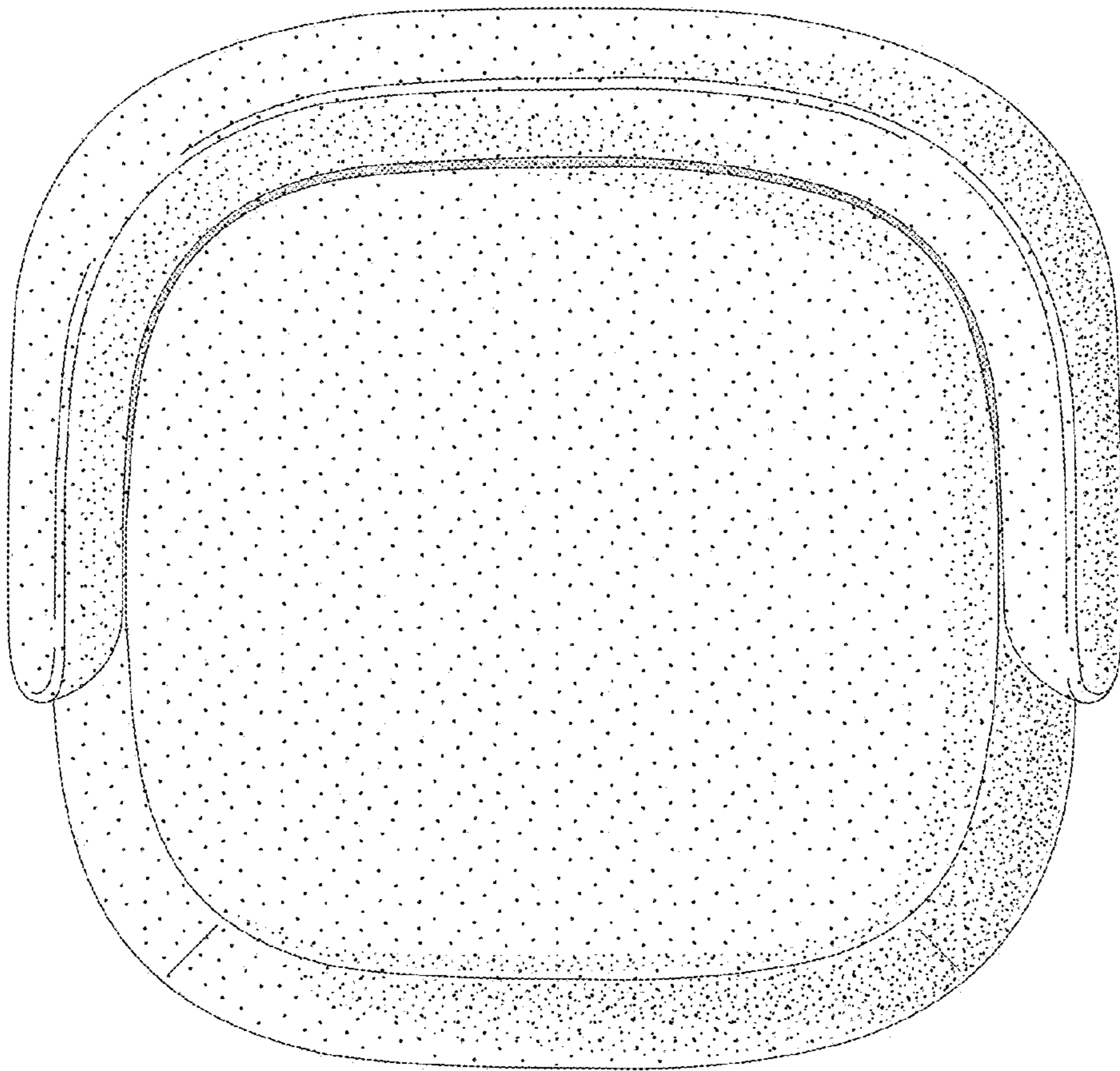


Fig. 11

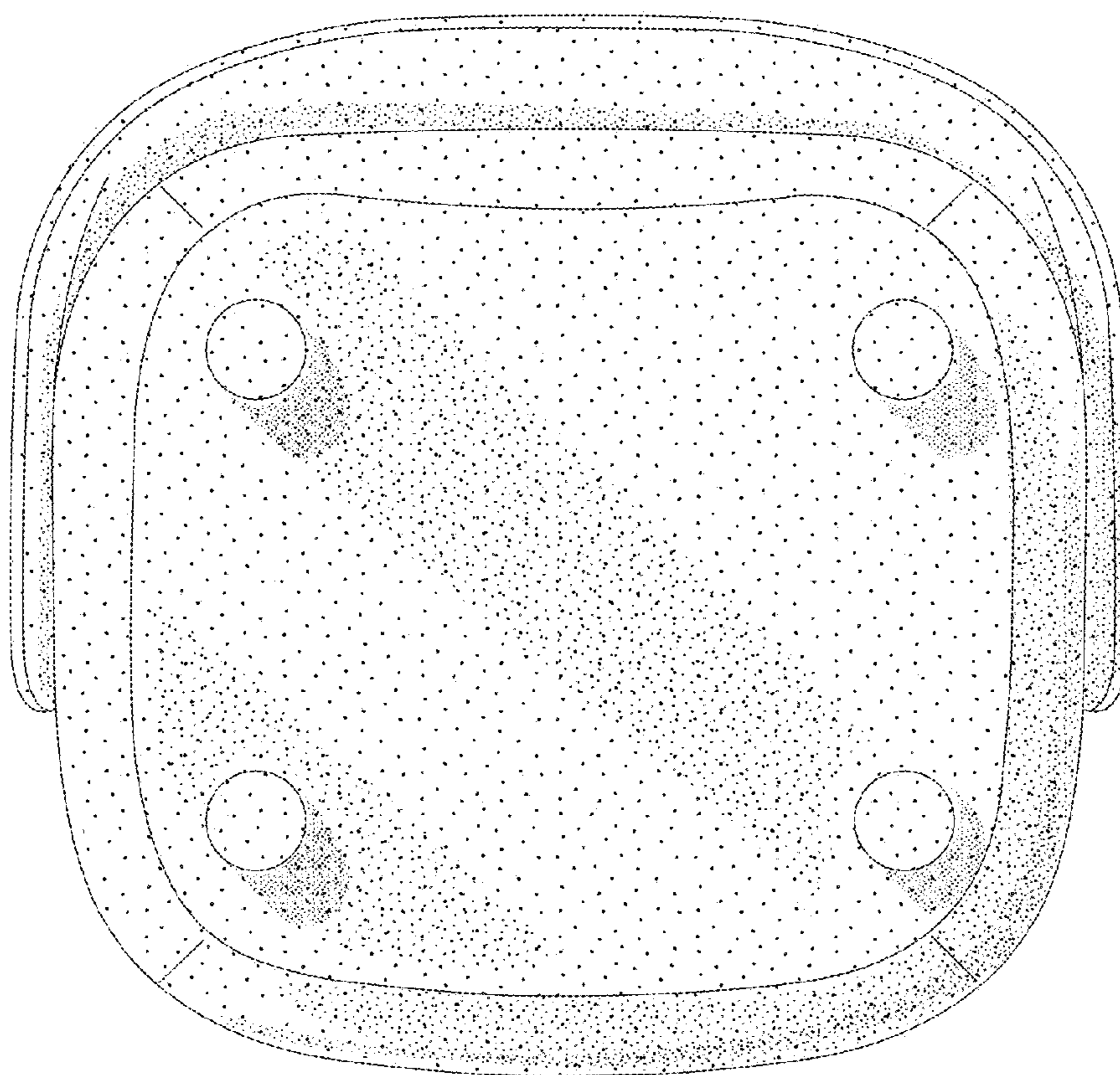


Fig. 12