



US00D699952S

(12) **United States Design Patent**  
**Yang et al.**

(10) **Patent No.:** **US D699,952 S**  
(45) **Date of Patent:** **\*\* Feb. 25, 2014**

(54) **VANITY MIRROR**  
(75) Inventors: **Frank Yang**, Rancho Palos Verdes, CA (US); **Tzu-Hao Wei**, Hacienda Heights, CA (US); **Daniel Ballou**, Long Beach, CA (US)

D647,444 S 10/2011 Manukyan et al.  
D649,790 S \* 12/2011 Pitot ..... D6/309  
D652,220 S \* 1/2012 Pitot ..... D6/309  
D656,979 S 4/2012 Yip et al.  
D657,425 S 4/2012 Podd  
D657,576 S \* 4/2012 Pitot ..... D6/309  
8,162,502 B1 4/2012 Zadro

(73) Assignee: **simplehuman, LLC**, Torrance, CA (US)

(Continued)

(\*\*) Term: **14 Years**

**FOREIGN PATENT DOCUMENTS**

(21) Appl. No.: **29/415,283**

DE 102004042929 A1 3/2006  
DE 202010000170 U1 7/2010

(22) Filed: **Mar. 8, 2012**

**OTHER PUBLICATIONS**

(51) **LOC (10) Cl.** ..... **06-04**

U.S. Appl. No. 13/783,109, filed Mar. 1, 2013, Yang et al.  
U.S. Appl. No. 13/783,087, filed Mar. 1, 2013, Yang et al.

(52) **U.S. Cl.**  
USPC ..... **D6/309**

(Continued)

(58) **Field of Classification Search**  
USPC ..... D6/300–314, 444, 370; D8/352;  
359/879; 40/735, 738, 597, 744, 745,  
40/754, 765, 768, 769, 790, 798;  
D20/29–32; 248/466–467; D11/131,  
D11/133–135; 280/0.4

*Primary Examiner* — Cathron Brooks  
*Assistant Examiner* — Sydney Buffalow  
(74) *Attorney, Agent, or Firm* — Knobbe, Martens, Olson & Bear, LLP

See application file for complete search history.

(57) **CLAIM**

(56) **References Cited**

The ornamental design for a vanity mirror, as shown and described herein.

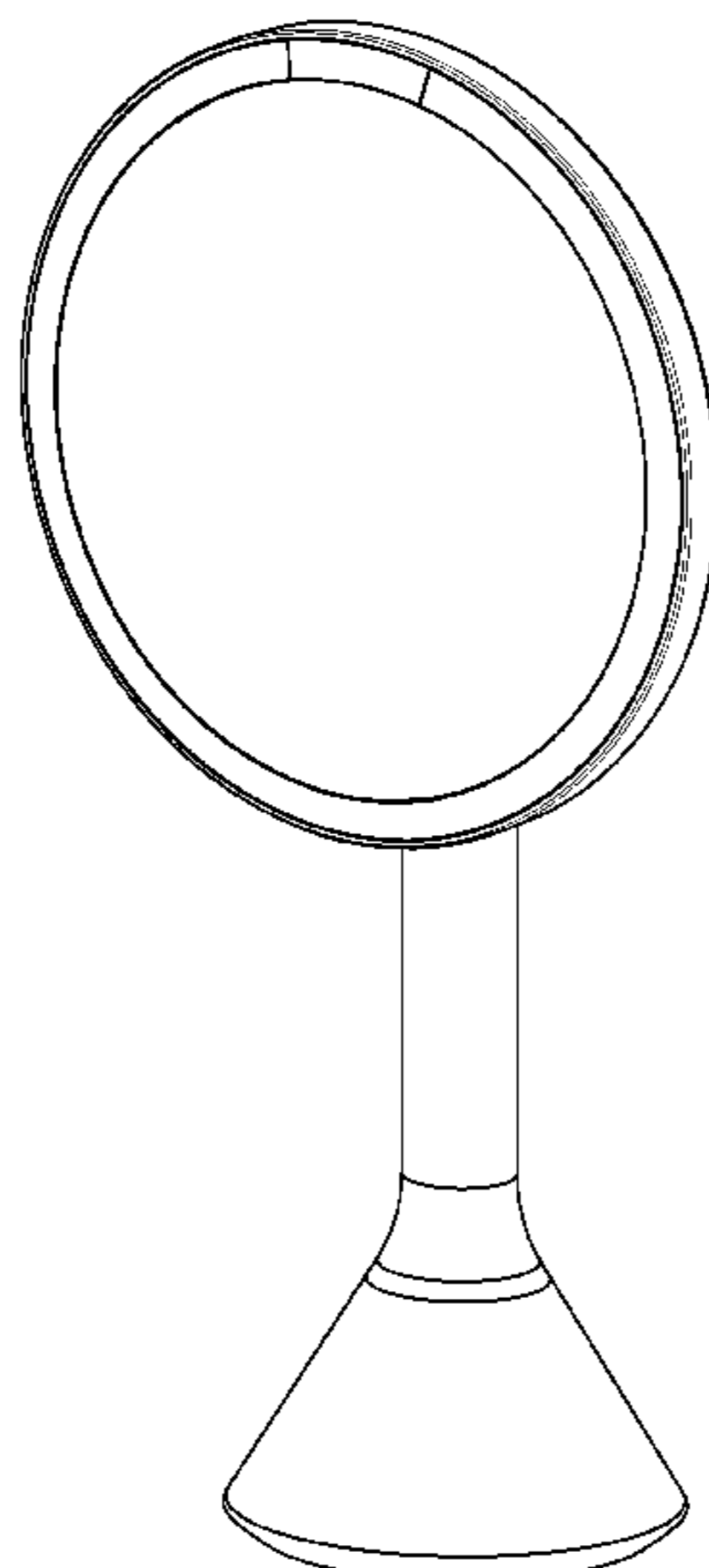
**U.S. PATENT DOCUMENTS**

**DESCRIPTION**

D208,234 S \* 8/1967 Ely ..... D6/308  
D309,833 S \* 8/1990 Wahl ..... D6/300  
D379,125 S 5/1997 Simjian  
D425,313 S \* 5/2000 Zadro ..... D6/309  
D431,375 S 10/2000 Zadro  
6,158,877 A 12/2000 Zadro  
6,241,357 B1 \* 6/2001 Lee ..... 359/879  
6,305,809 B1 10/2001 Zadro  
D509,369 S \* 9/2005 Snell ..... D6/310  
D511,413 S 11/2005 Yue  
7,090,378 B1 8/2006 Zadro  
D532,981 S 12/2006 Zadro  
7,341,356 B1 3/2008 Zadro  
D574,159 S \* 8/2008 Howard ..... D6/310  
D635,009 S \* 3/2011 Paterson ..... D8/352  
D639,077 S 6/2011 DeBretton Gordon

FIG. 1 is a top, front, left-side perspective view of a vanity mirror embodying our design;  
FIG. 2 is a front elevation view thereof;  
FIG. 3 is a rear elevation view thereof;  
FIG. 4 is a left-side elevation view thereof;  
FIG. 5 is a right-side elevation view thereof;  
FIG. 6 is a top plan view thereof; and,  
FIG. 7 is a bottom plan view thereof.  
All features illustrated in broken lines form no part of the claimed subject matter.

**1 Claim, 6 Drawing Sheets**



(56)

**References Cited**

U.S. PATENT DOCUMENTS

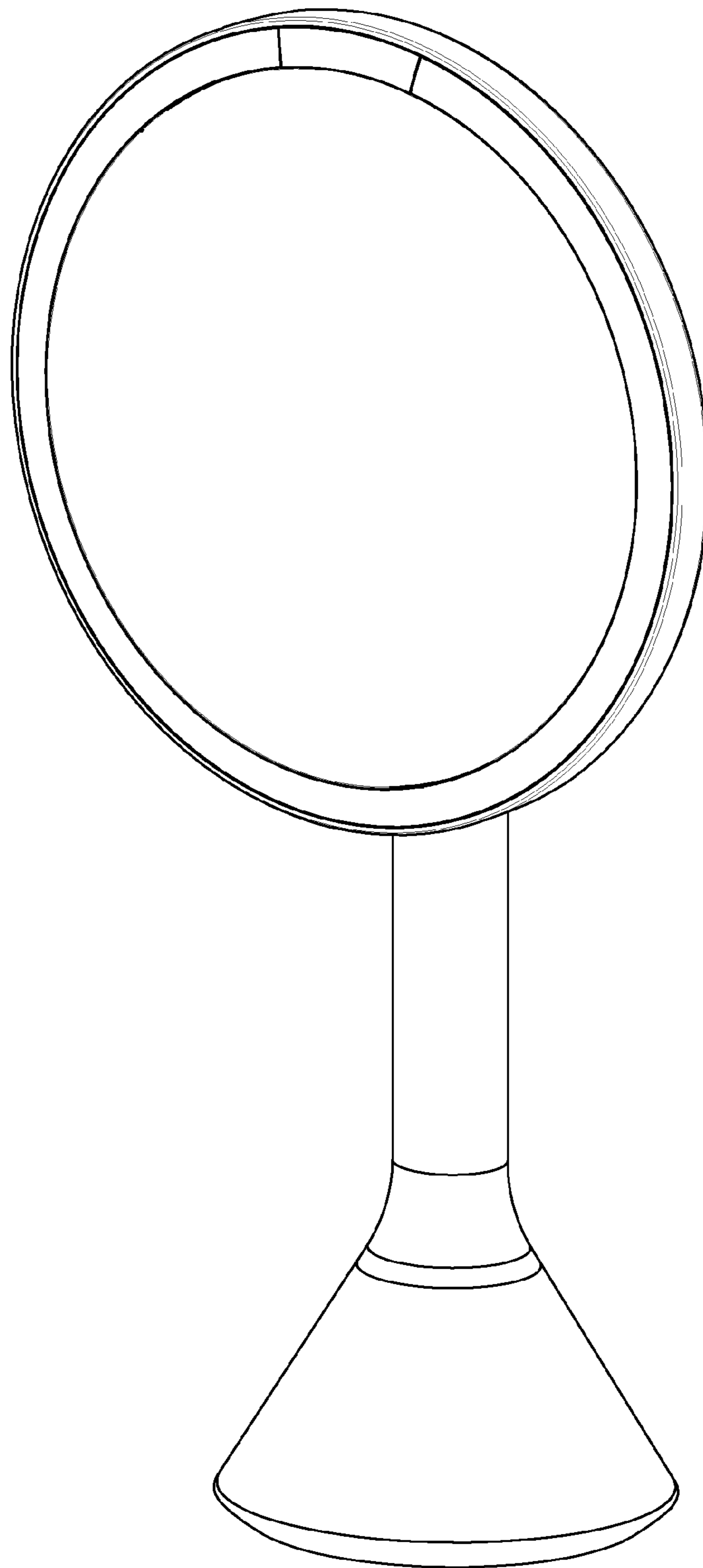
D658,604 S 5/2012 Egawa et al.  
D660,367 S 5/2012 Podd  
D660,368 S 5/2012 Podd  
D660,369 S 5/2012 Podd  
D665,030 S 8/2012 Podd  
D666,010 S 8/2012 Farley  
D679,102 S 4/2013 Gilboe et al.

2008/0298080 A1 12/2008 Wu et al.  
2013/0235607 A1 9/2013 Yang et al.  
2013/0235610 A1 9/2013 Yang et al.

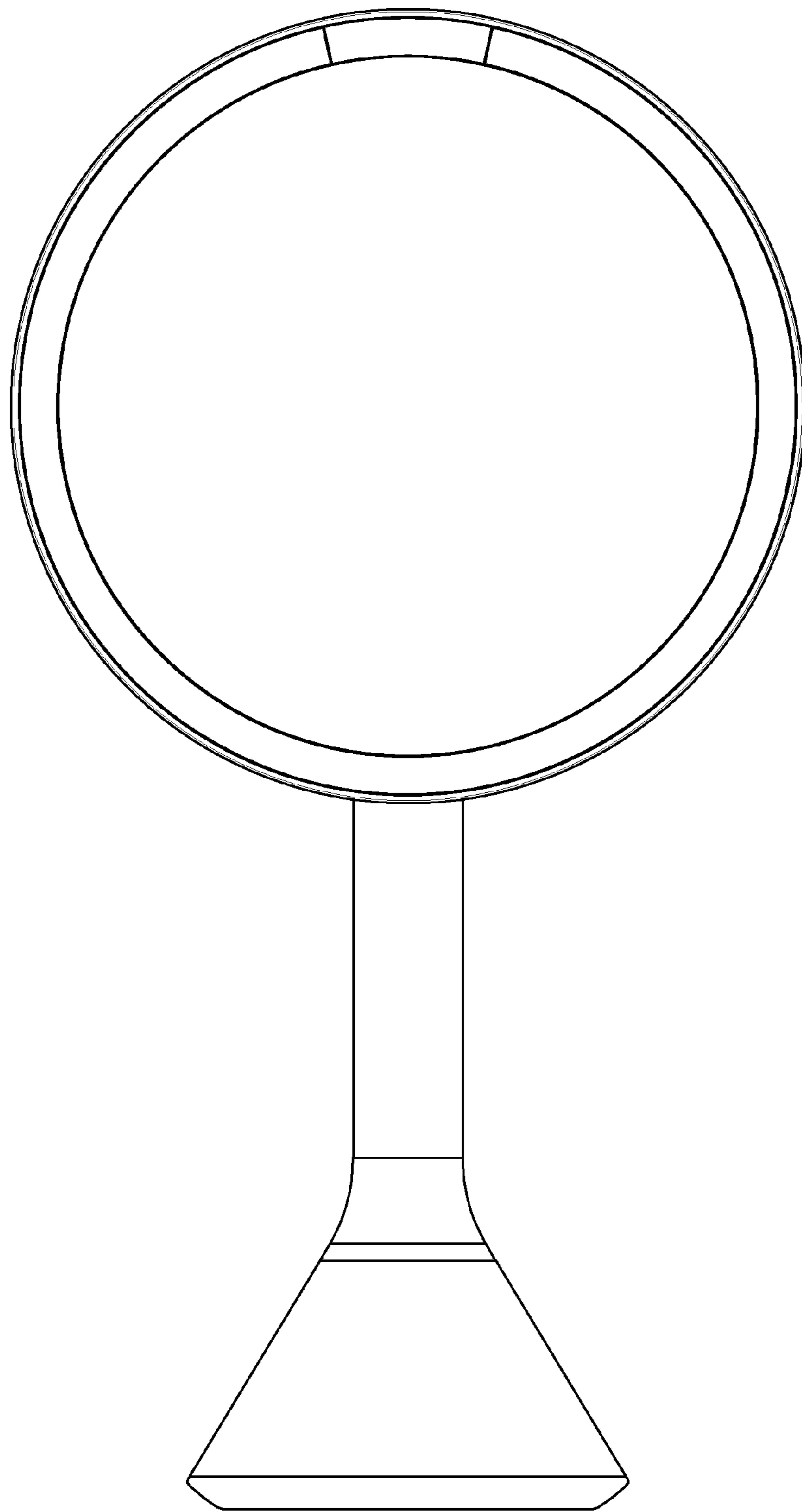
OTHER PUBLICATIONS

U.S. Appl. No. 29/447,287, filed Mar. 1, 2013, Yang et al.  
U.S. Appl. No. 29/447,341, filed Mar. 1, 2013, Yang et al.  
Extended European Search Report in European Patent Application  
No. 13157510.2, dated Jun. 25, 2013, in 6 pages.

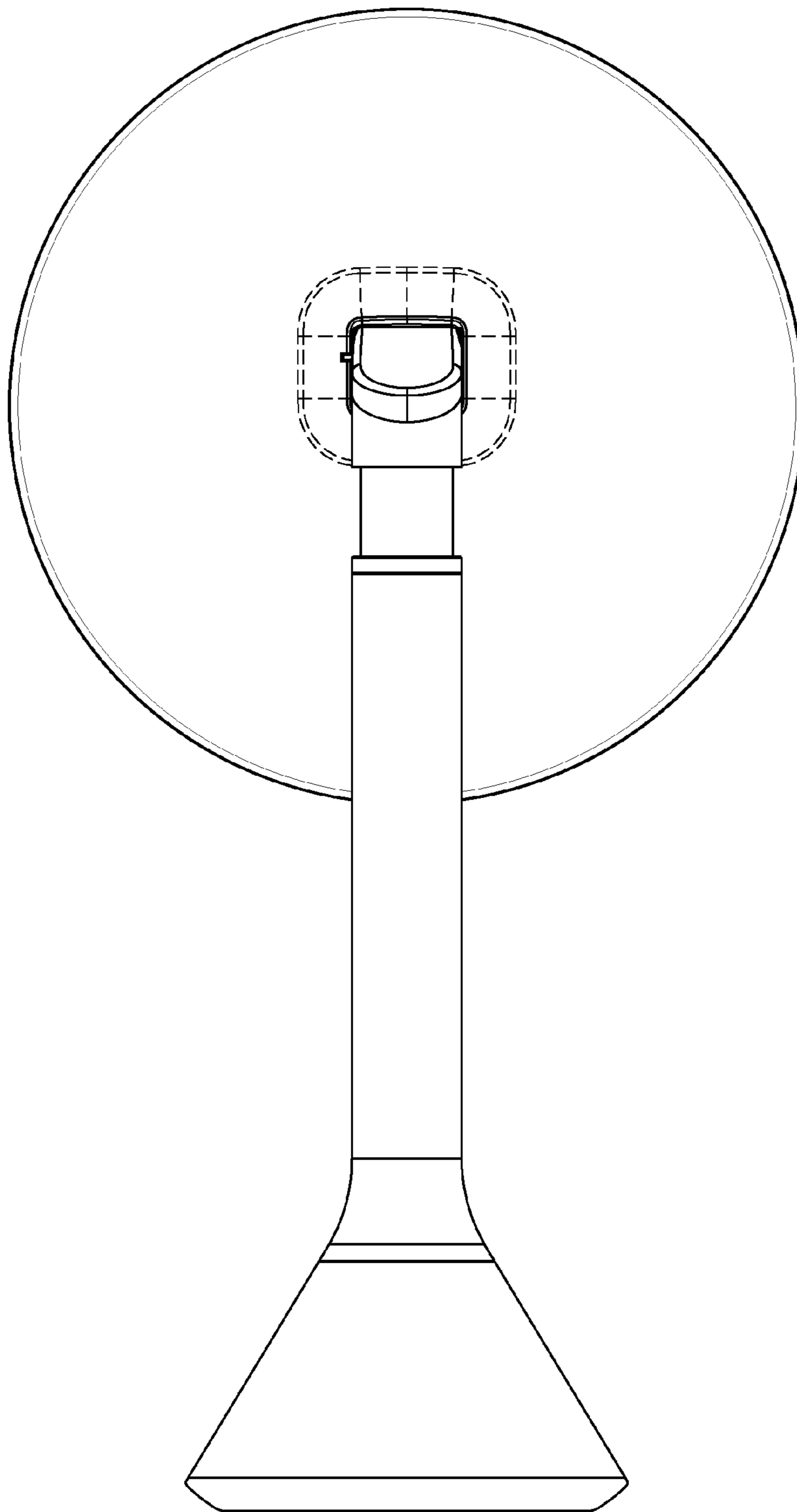
\* cited by examiner



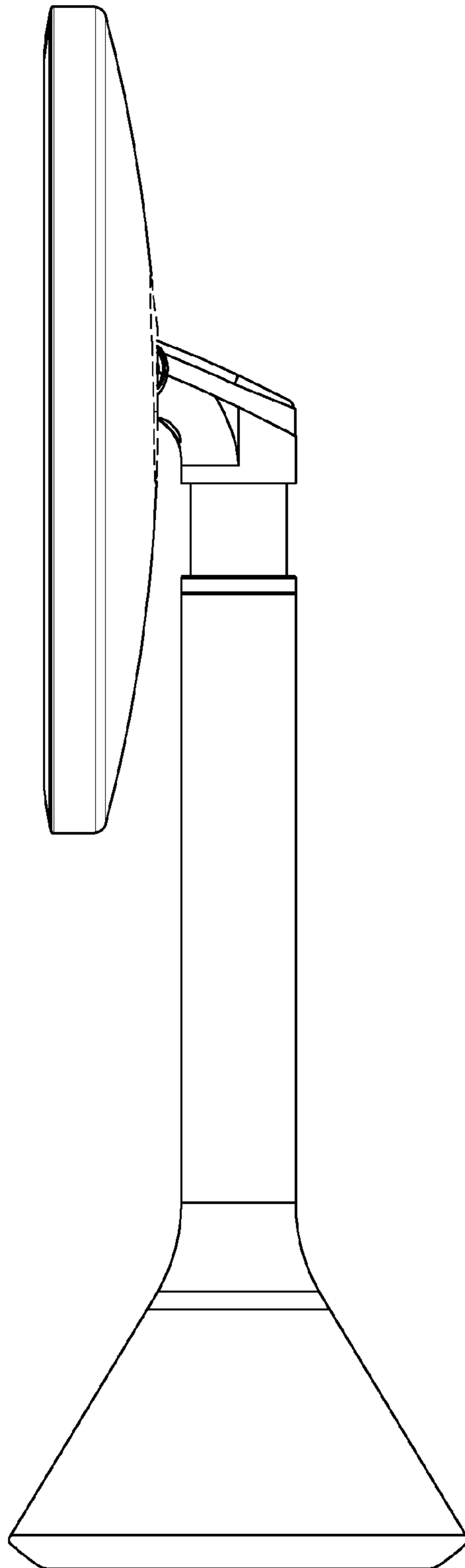
*FIG. 1*



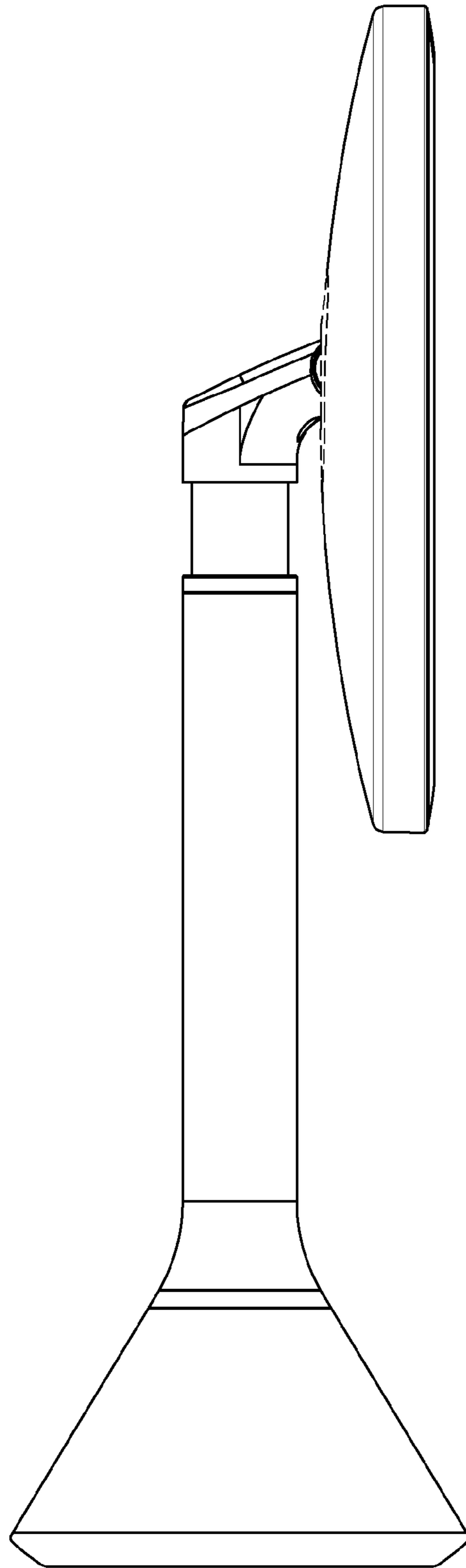
*FIG. 2*



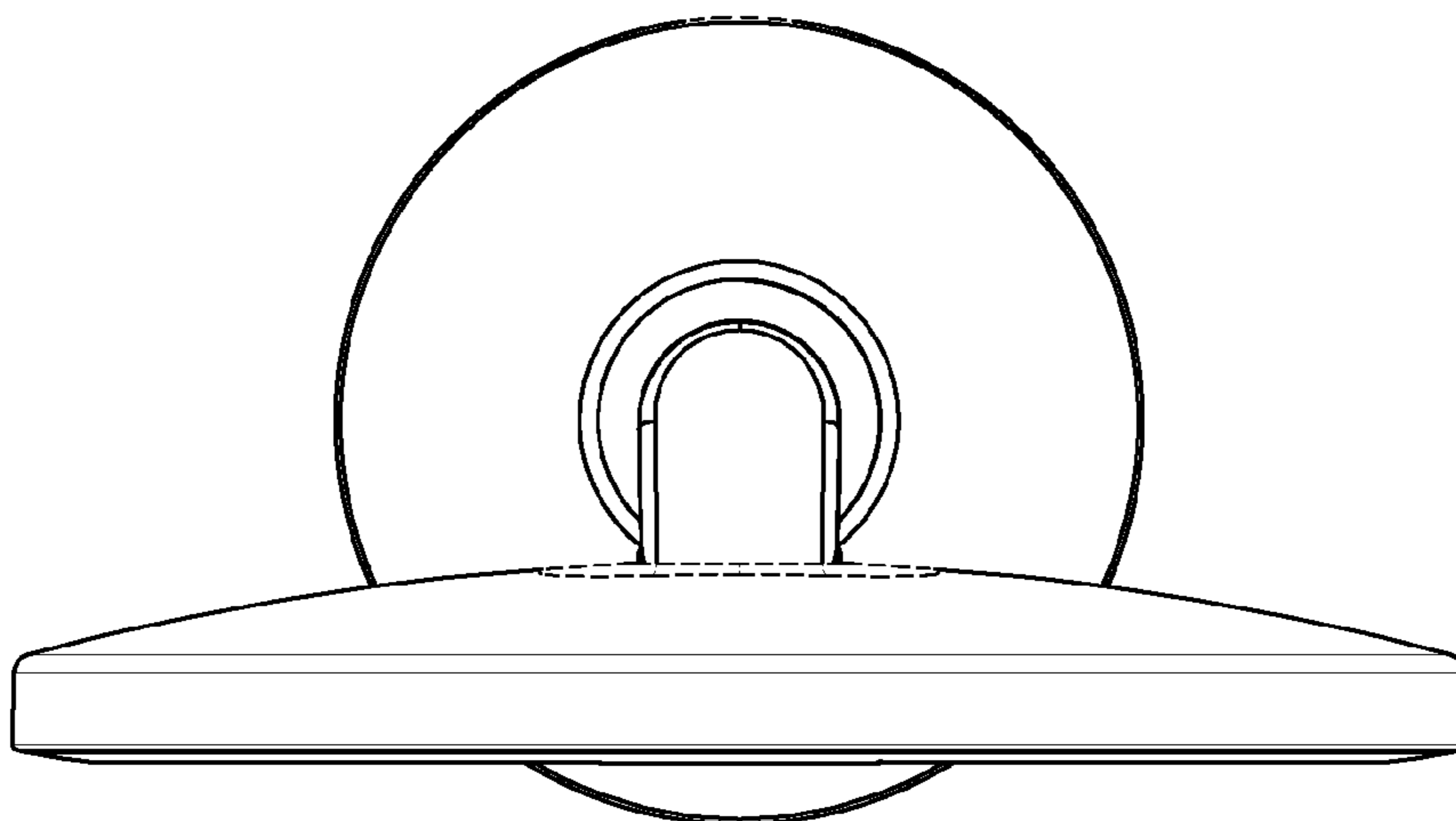
*FIG. 3*



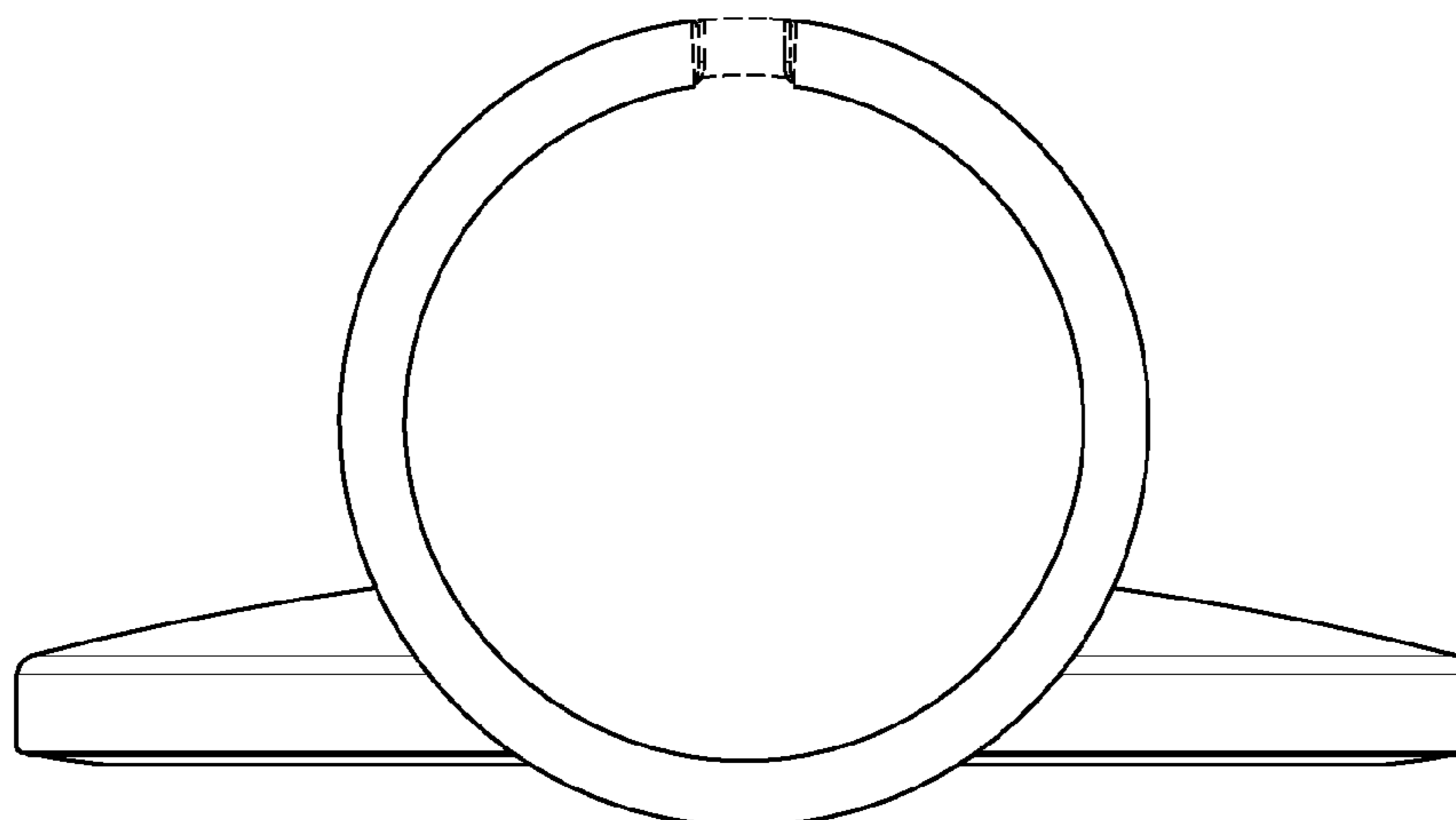
*FIG. 4*



*FIG. 5*



*FIG. 6*



*FIG. 7*