

US00D699950S

(12) **United States Design Patent**
Treeby

(10) **Patent No.:** **US D699,950 S**
(45) **Date of Patent:** **** Feb. 25, 2014**

(54) **HAIRBRUSH**

(75) **Inventor:** **Cameron Bruce William Treeby,**
London (GB)

(73) **Assignee:** **Tangle Teezer Limited,** London (GB)

(**) **Term:** **14 Years**

(21) **Appl. No.:** **29/406,169**

(22) **Filed:** **Nov. 10, 2011**

(30) **Foreign Application Priority Data**

Aug. 19, 2011 (EM) 001290340-0002

(51) **LOC (10) Cl.** **04-02**

(52) **U.S. Cl.**
USPC **D4/130; D4/133; D4/136**

(58) **Field of Classification Search**
USPC D4/130, 133, 134, 136, 138; 15/143.1,
15/159.1, 160, 186-188, 144.1, 172, 184,
15/201, 203; 132/119-121, 123, 137, 142,
132/151, 271, 313
See application file for complete search history.

(56) **References Cited**

U.S. PATENT DOCUMENTS

D166,086 S * 3/1952 Febvre D4/136
D183,190 S * 7/1958 Zampetti D4/114

D190,559 S * 6/1961 Vallis D4/136
D285,130 S * 8/1986 Wilkeson D30/158
D432,792 S * 10/2000 Sivan D4/136
D438,388 S * 3/2001 Cheung D4/136

FOREIGN PATENT DOCUMENTS

JP D1310026 S * 9/2007
KR 0234840 S * 3/1999
KR 30-0504123 S * 9/2004
KR 30-0542743 S * 10/2009

* cited by examiner

Primary Examiner — Melanie H Tung

Assistant Examiner — Lavone D Tabor

(74) *Attorney, Agent, or Firm* — Fleit Gibbons Gutman
Bongini & Bianco PL; Marty Fleit; Paul D. Bianco

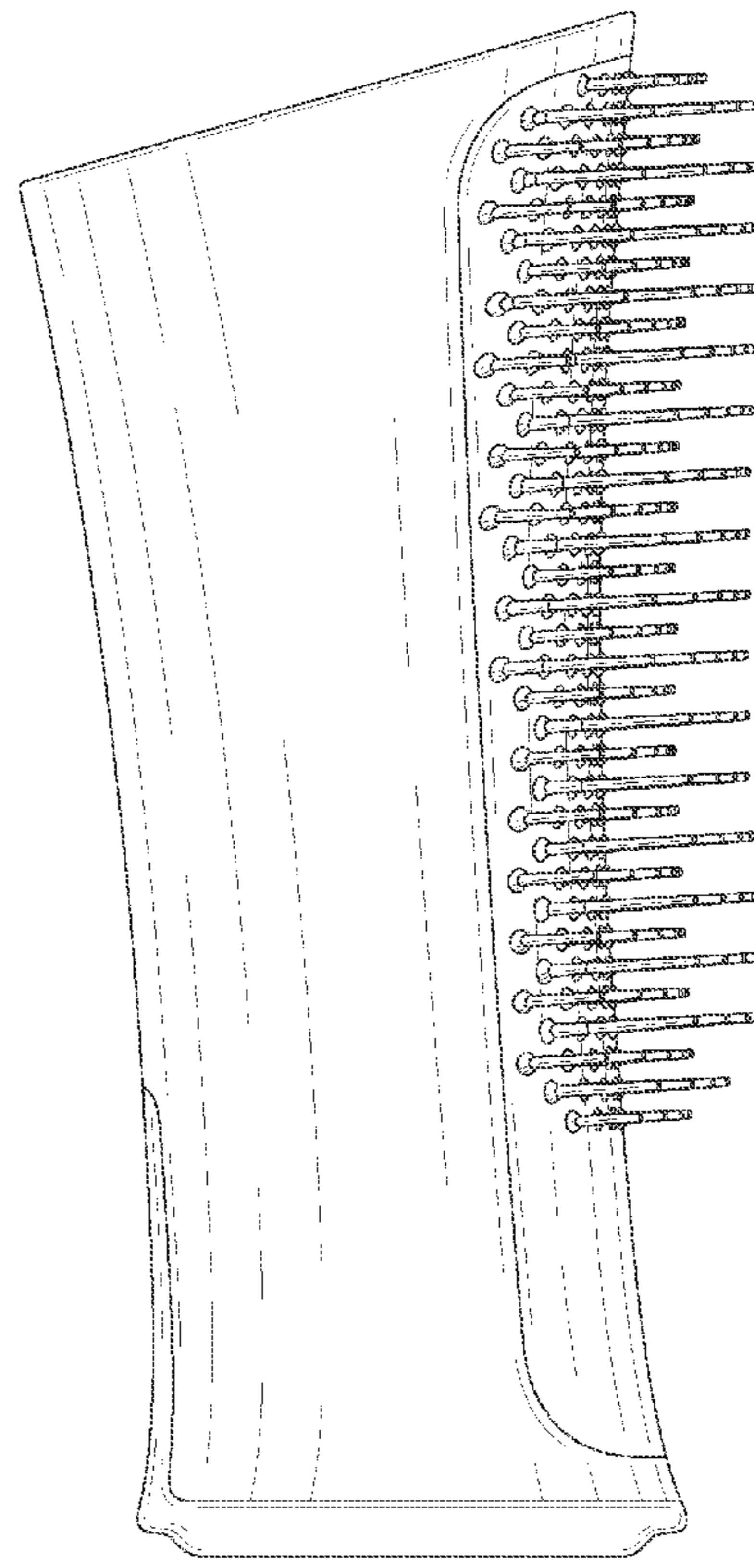
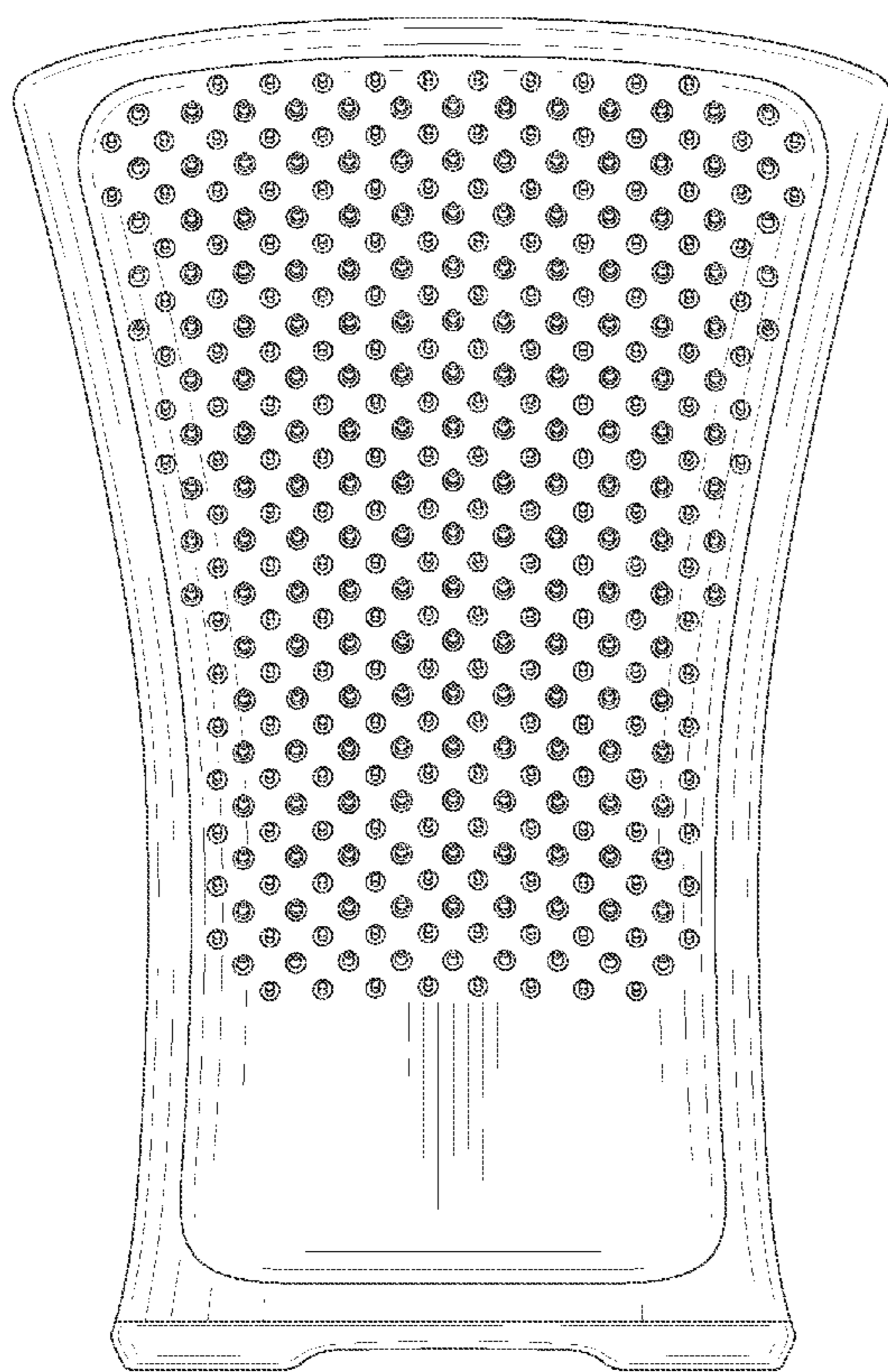
(57) **CLAIM**

The ornamental design for a hairbrush, as shown and described.

DESCRIPTION

FIG. 1 is a perspective view of a hairbrush.
FIG. 2 is a front view of the hairbrush of FIG. 1.
FIG. 3 is a rear view of the hairbrush of FIG. 1.
FIG. 4 is a first side view of the hairbrush of FIG. 1.
FIG. 5 is a second side view of the hairbrush of FIG. 1.
FIG. 6 is a first end view of the hairbrush of FIG. 1; and
FIG. 7 is a second end view of the hairbrush of FIG. 1.

1 Claim, 6 Drawing Sheets



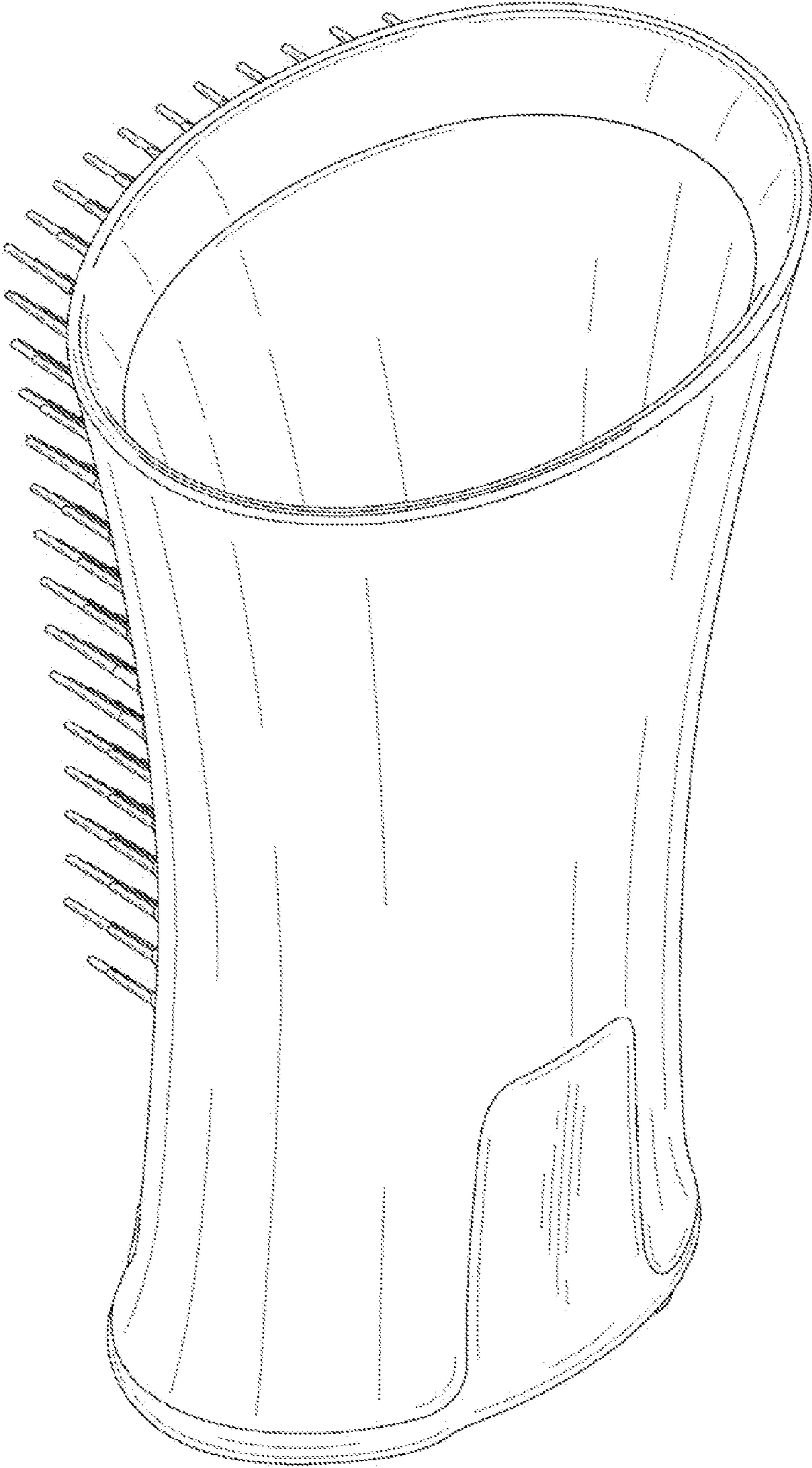


FIG. 1

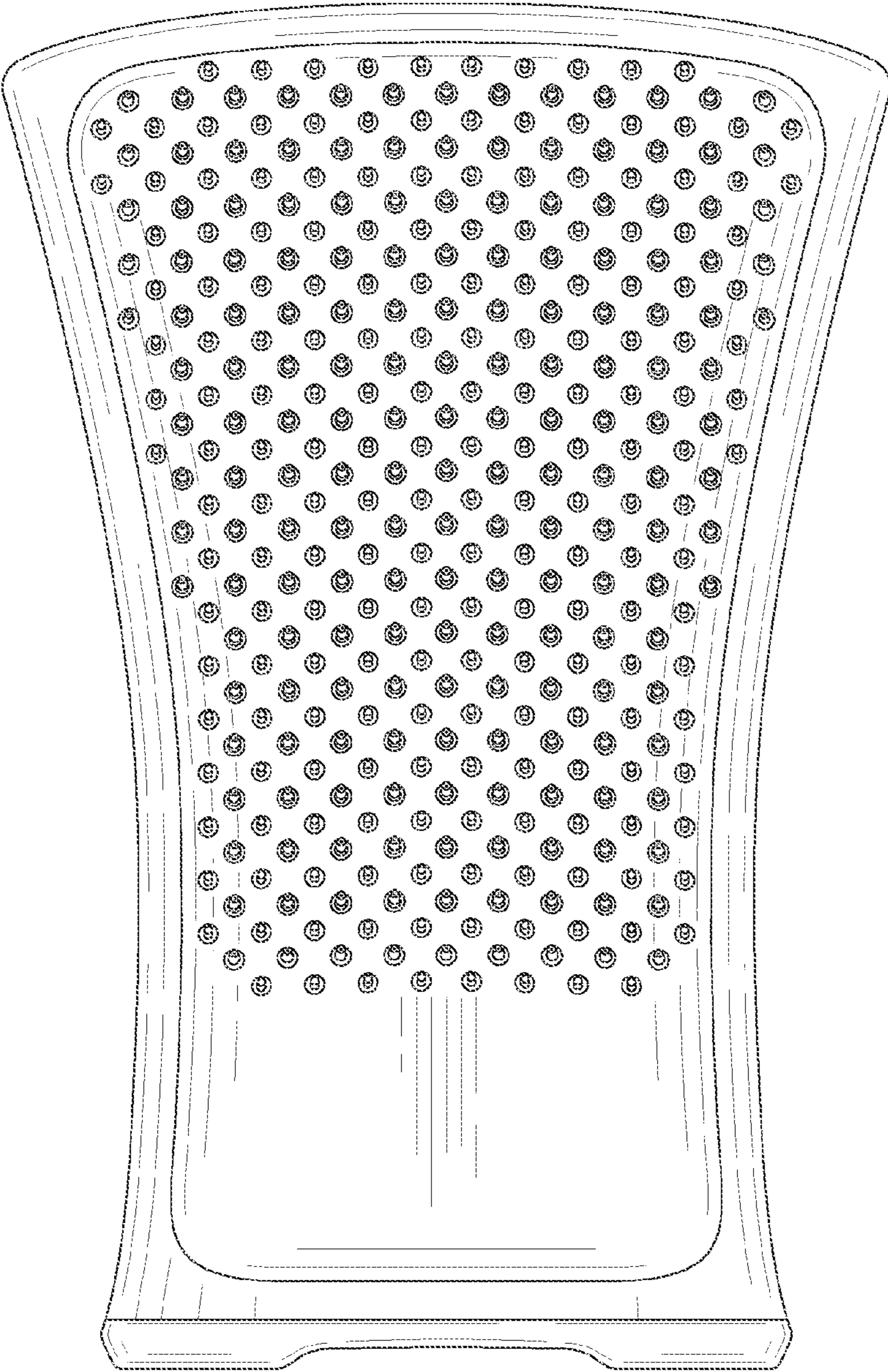


FIG. 2

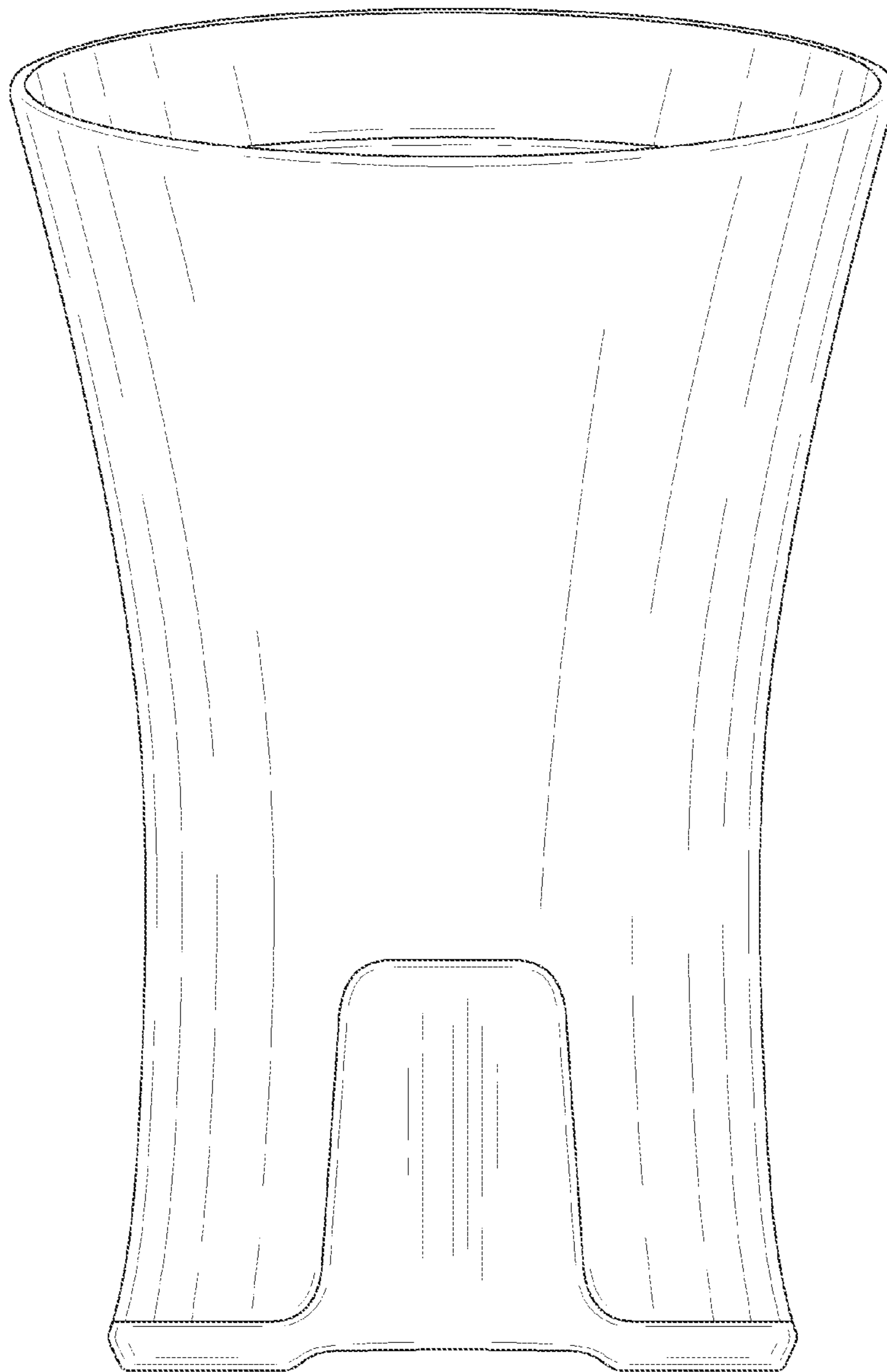


FIG. 3

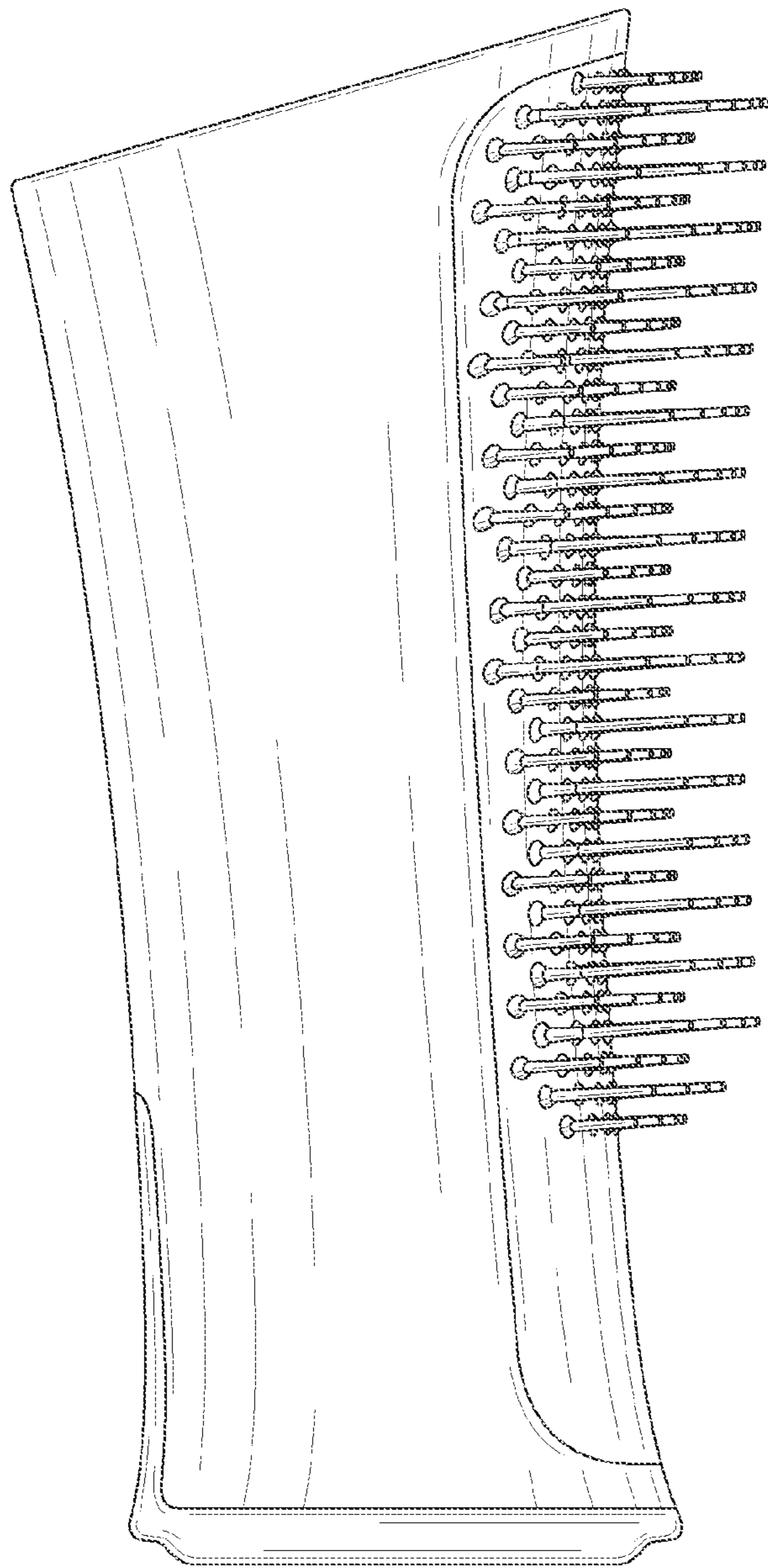


FIG. 4

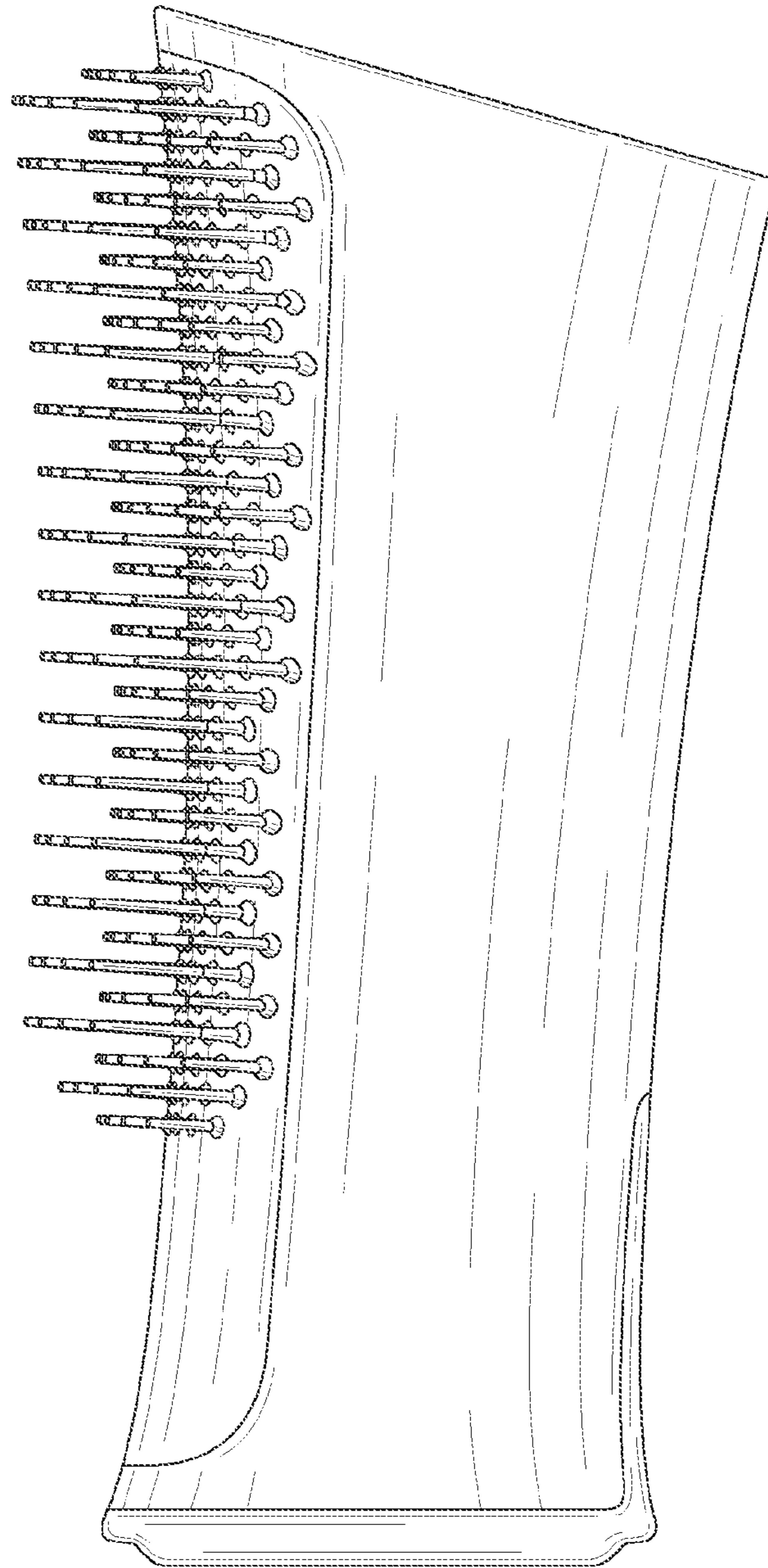


FIG. 5

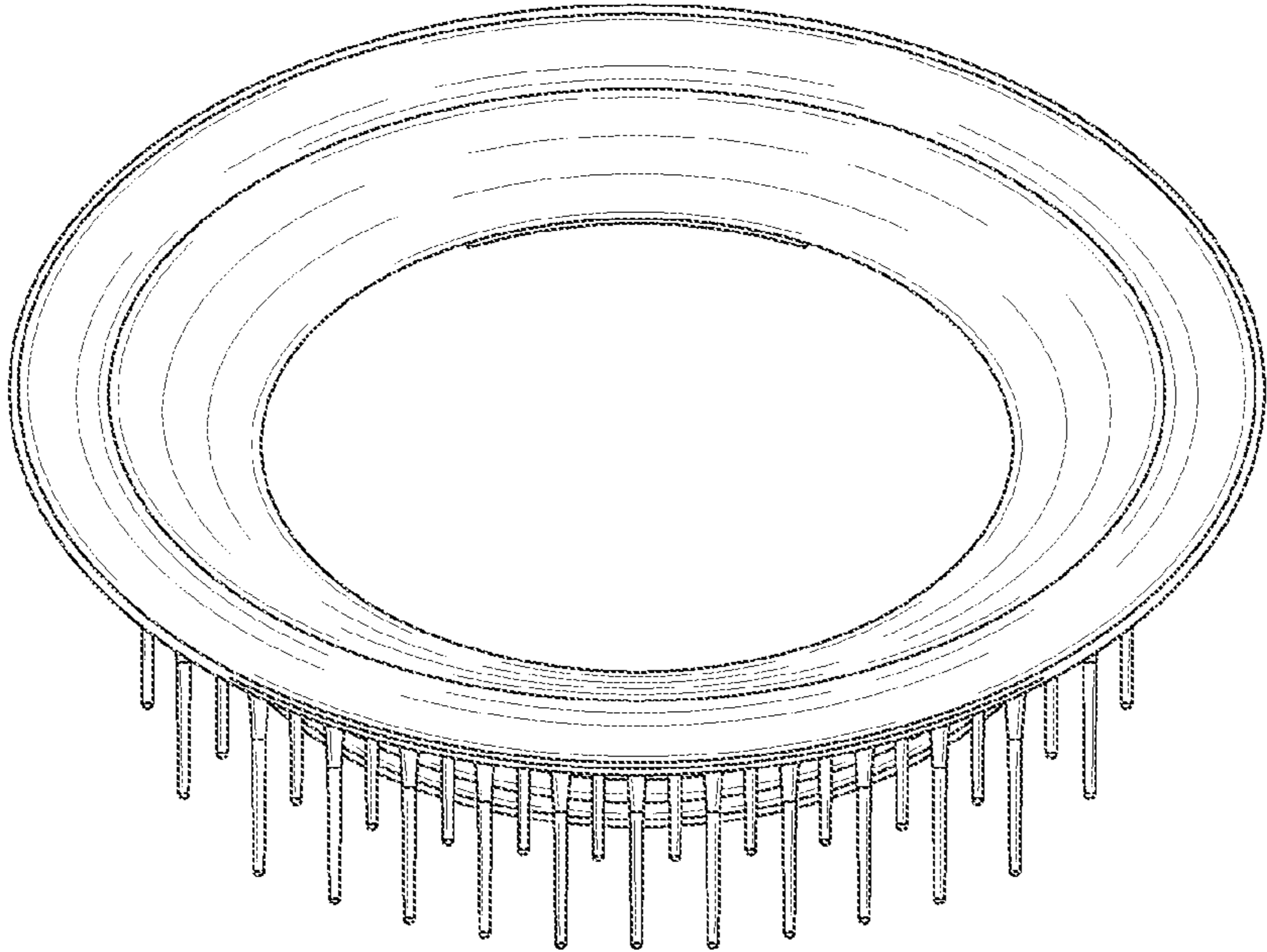


FIG. 6

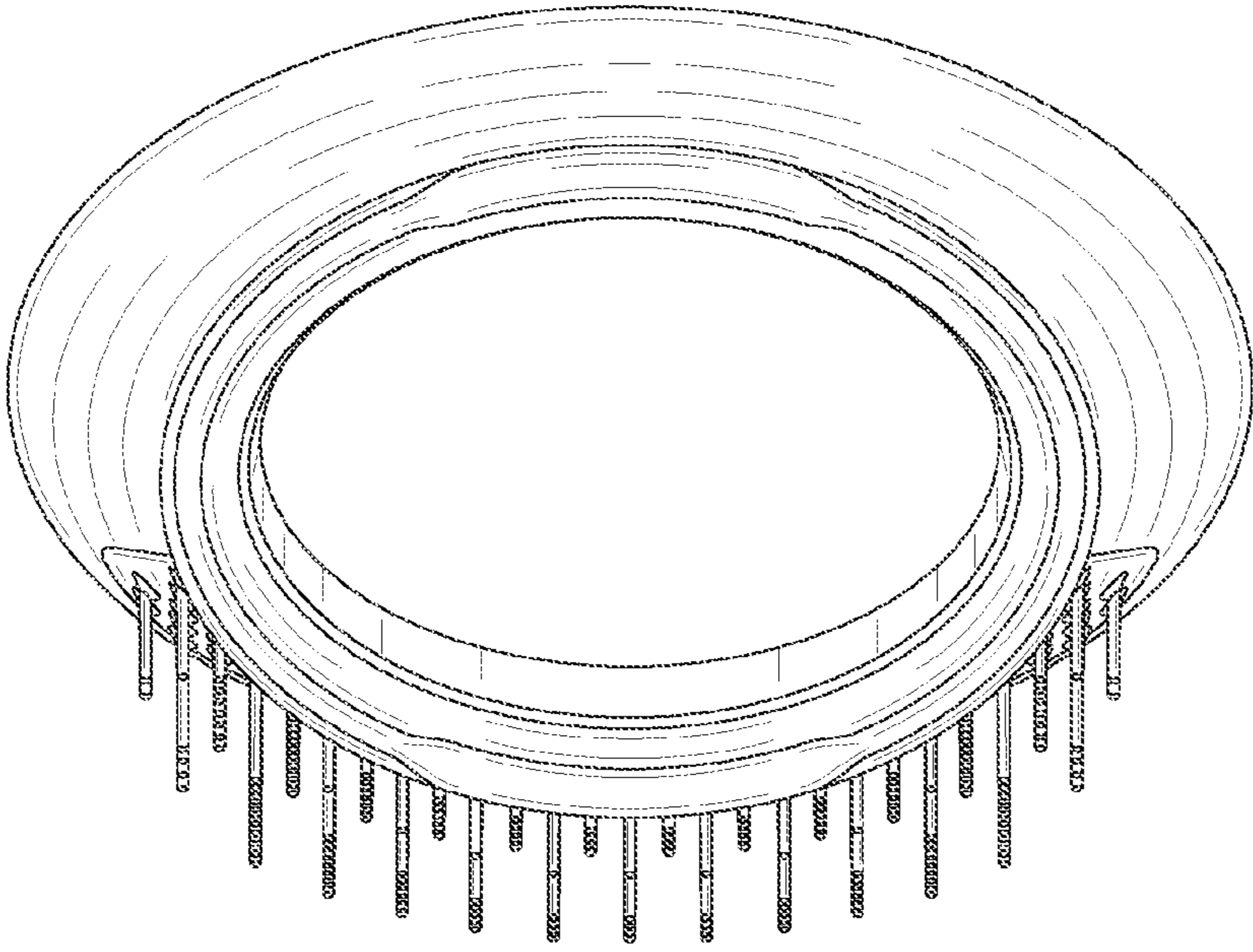


FIG. 7