



US00D699949S

(12) **United States Design Patent**  
**Zemel et al.**

(10) **Patent No.:** **US D699,949 S**  
(45) **Date of Patent:** **\*\* Feb. 25, 2014**

(54) **GRILL BRUSH**

(71) Applicant: **Mr. Bar-B-Q-, Inc.**, Old Bethpage, NY (US)

(72) Inventors: **Marc Zemel**, Old Bethpage, NY (US);  
**Adam Schillen**, Dix Hills, NY (US)

(73) Assignee: **Blue Rhino Global Sourcing, Inc.**, Liberty, MO (US)

(\*\*) Term: **14 Years**

(21) Appl. No.: **29/447,853**

(22) Filed: **Mar. 7, 2013**

(51) **LOC (10) Cl.** ..... **04-01**

(52) **U.S. Cl.**

USPC ..... **D4/127; D4/138**

(58) **Field of Classification Search**

USPC ..... D4/118, 127, 132, 134, 138; D28/63;  
D32/51, 52; 15/143.1, 159.1, 160,  
15/186-188, 229.11-229.13, 244.1

See application file for complete search history.

(56) **References Cited**

**U.S. PATENT DOCUMENTS**

D104,029 S *	4/1937	Gray	.....	D4/120
D160,736 S *	10/1950	Racicot	.....	D4/127
D346,698 S *	5/1994	Hinnant	.....	D4/114
D422,792 S *	4/2000	Liu	.....	D4/118
D443,418 S *	6/2001	Chen	.....	D4/127

D446,023 S *	8/2001	Sherman	.....	D4/116
D495,494 S *	9/2004	Berti	.....	D4/127
D522,247 S *	6/2006	Moore	.....	D4/124
D595,057 S	6/2009	Dow et al.		
2012/0186029 A1 *	7/2012	D'Alleva	.....	15/22.1

**FOREIGN PATENT DOCUMENTS**

KR 30-0677013 S \* 1/2013

\* cited by examiner

*Primary Examiner* — Melanie H Tung

*Assistant Examiner* — Lavone D Tabor

(74) *Attorney, Agent, or Firm* — Carter, DeLuca, Farrell & Schmidt LLP

(57) **CLAIM**

The ornamental design for a grill brush, as shown and described.

**DESCRIPTION**

FIG. 1 is a perspective view of a grill brush in accordance with the present design;

FIG. 2 is a left side elevational view thereof, the right side elevational view being a mirror image thereof;

FIG. 3 is a front side elevational view thereof;

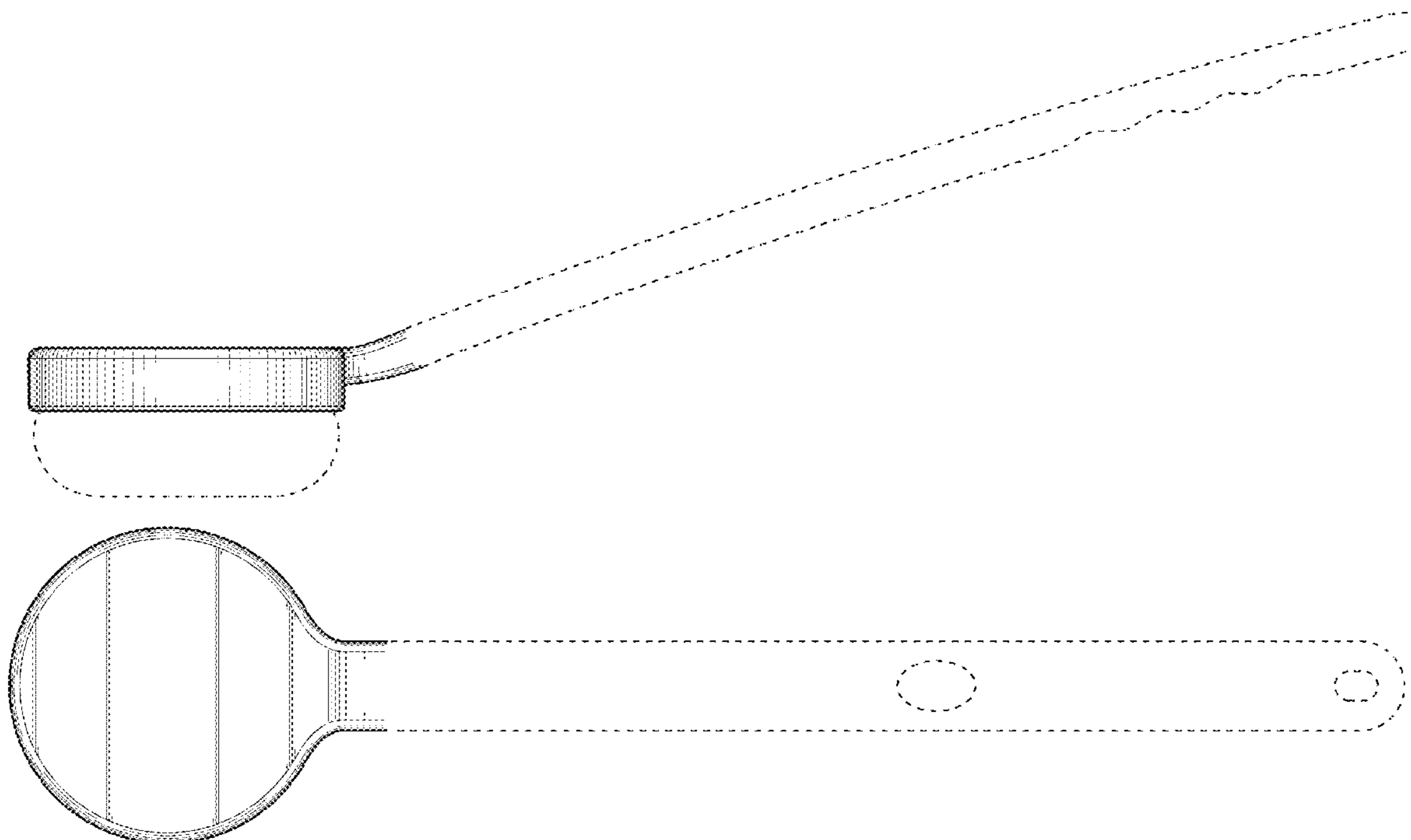
FIG. 4 is a rear side elevational view thereof;

FIG. 5 is a top plan view thereof; and,

FIG. 6 is a bottom plan view thereof.

The broken lines shown in the drawings illustrate portions of the grill brush that form no part of the claimed design.

**1 Claim, 5 Drawing Sheets**



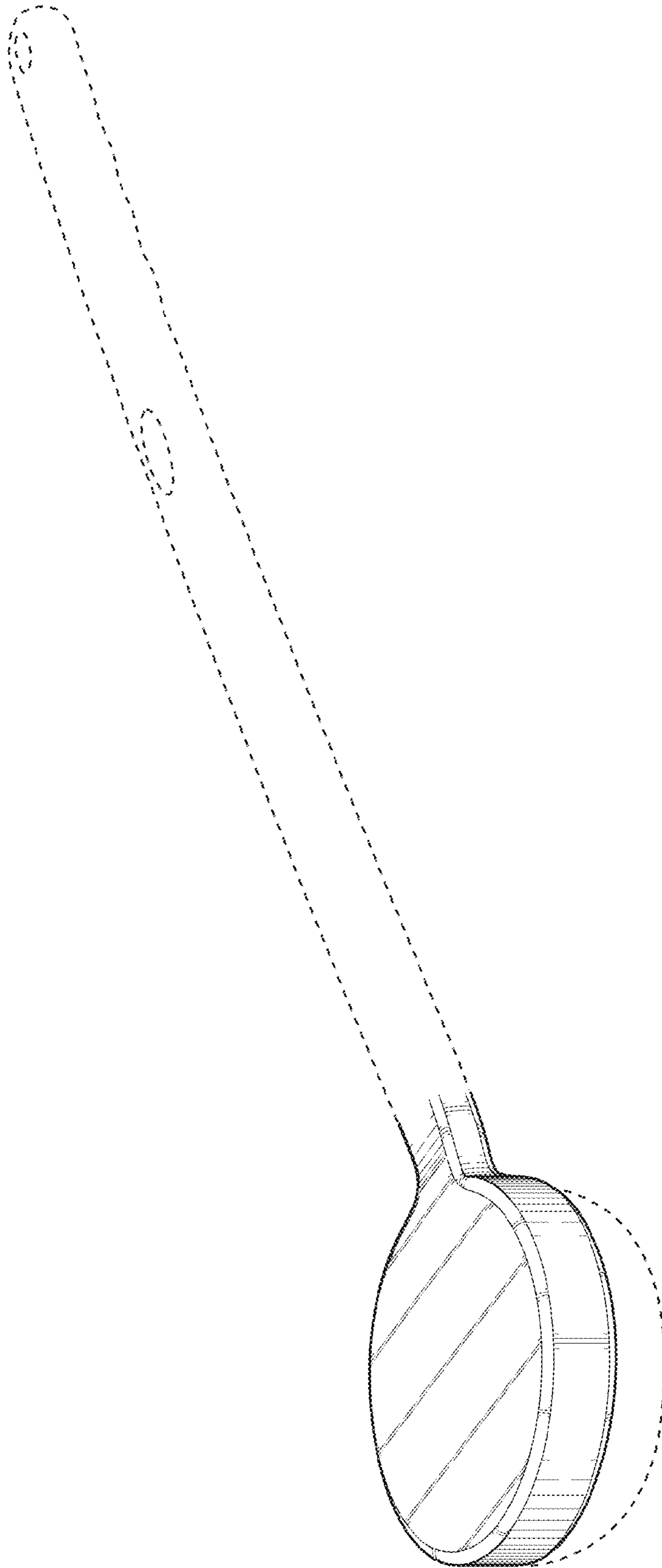


FIG. 1

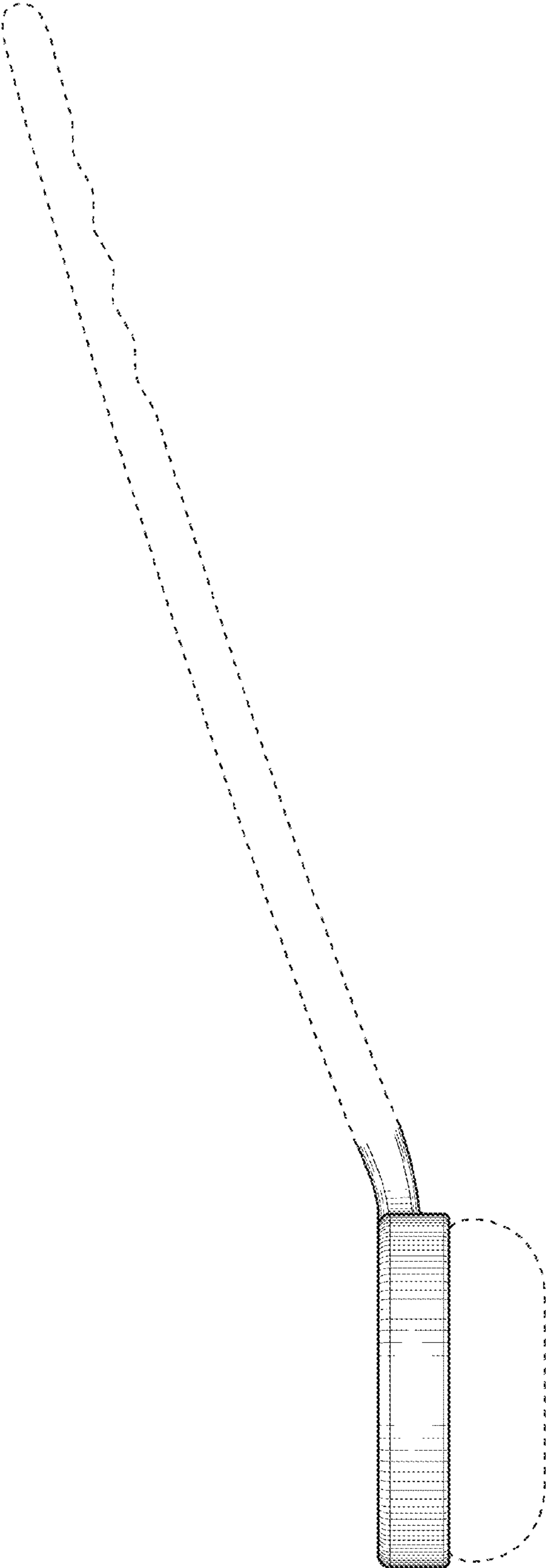


FIG. 2

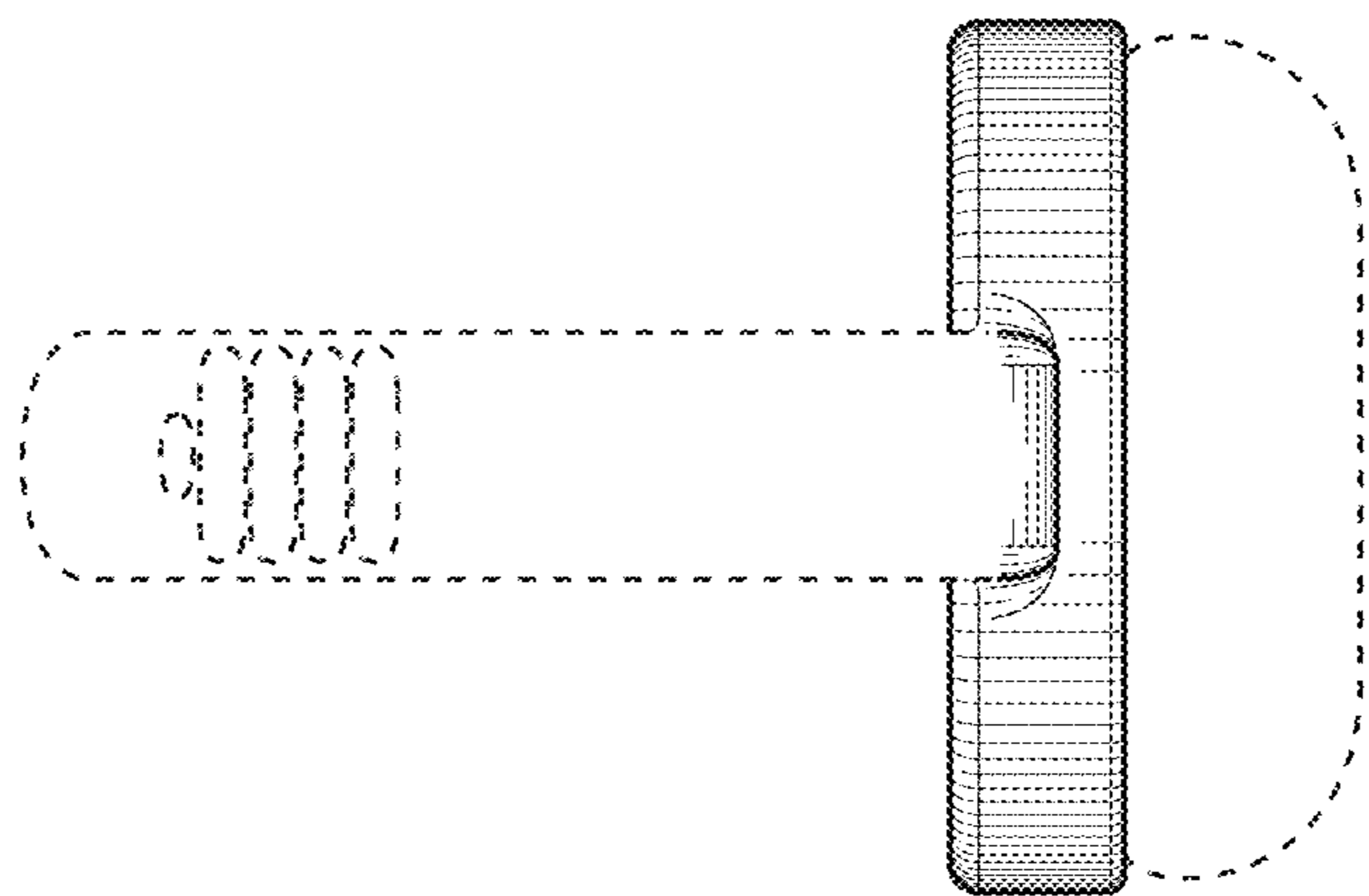


FIG. 4

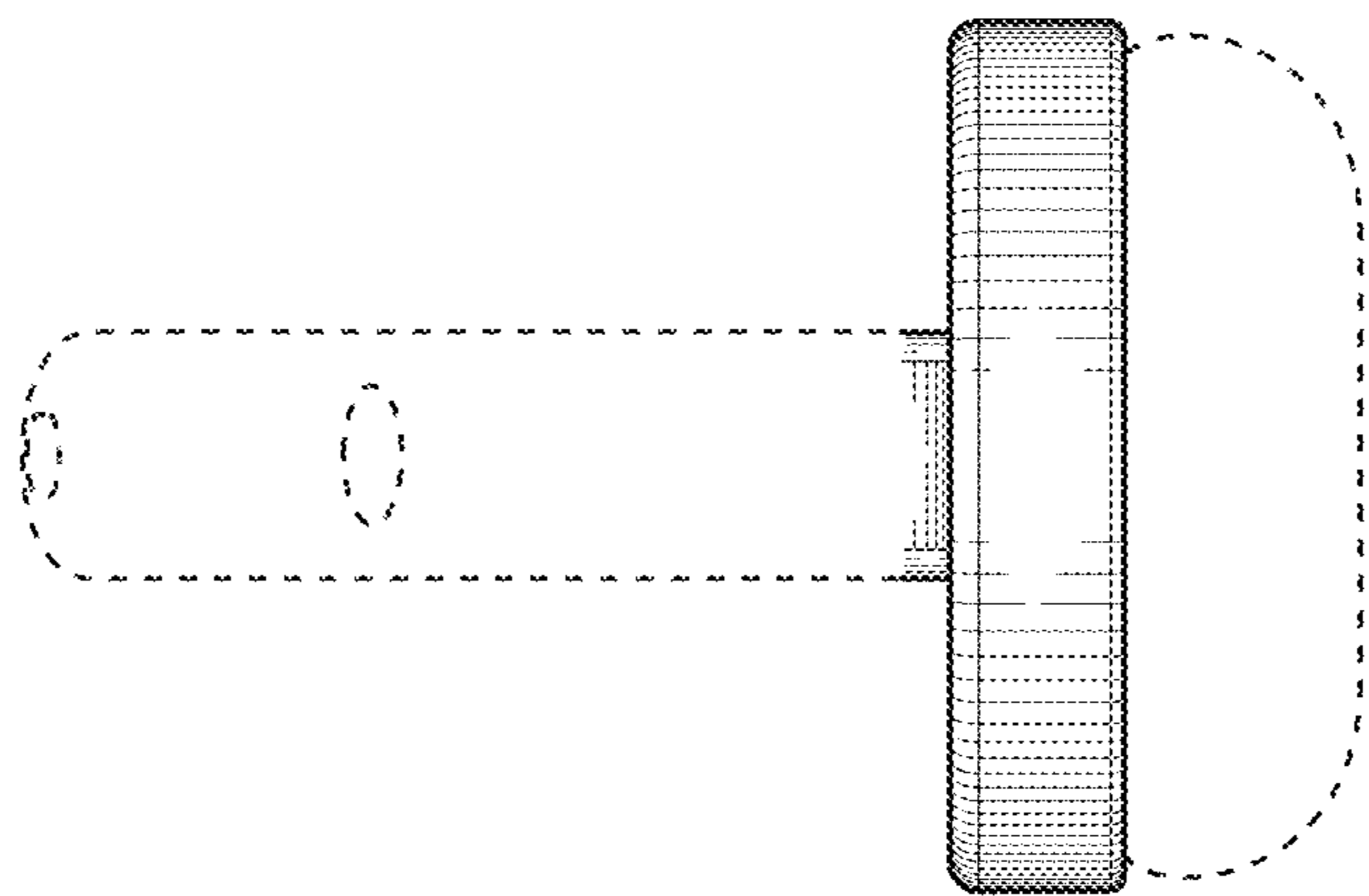


FIG. 3

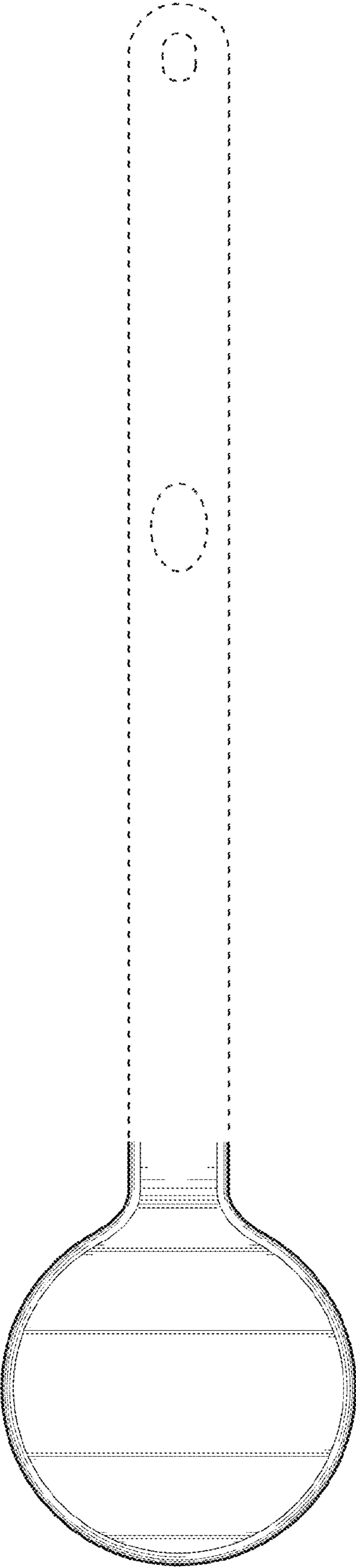


FIG. 5

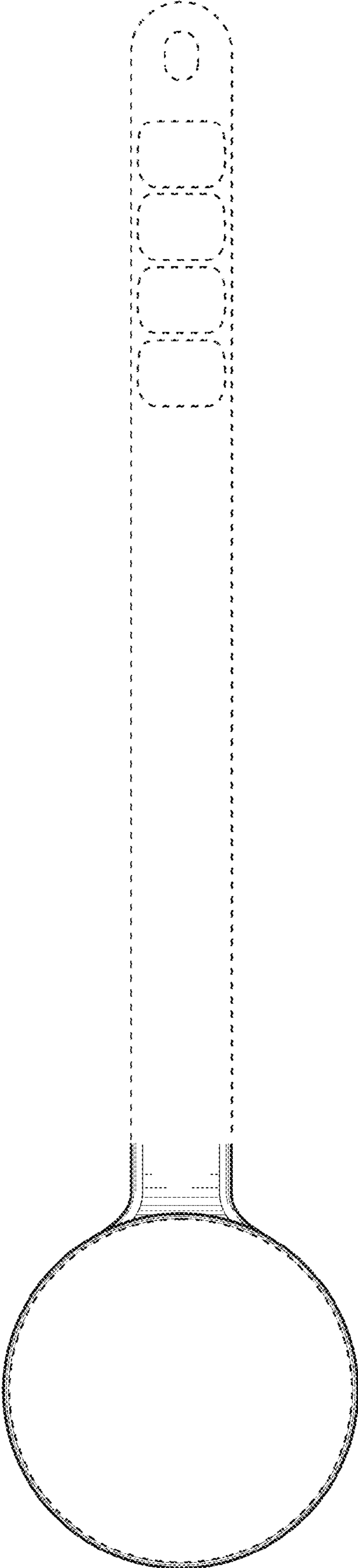


FIG. 6