



US00D699947S

(12) **United States Design Patent**
To et al.

(10) **Patent No.:** **US D699,947 S**

(45) **Date of Patent:** **** Feb. 25, 2014**

(54) **DRY MOBILE DEVICE CAMERA CASE**

Primary Examiner — Holly Baynham

(75) Inventors: **Nguyen To**, Corona, CA (US); **Andrew Namminga**, Costa Mesa, CA (US)

(74) *Attorney, Agent, or Firm* — Knobbe, Martens, Olson & Bear LLP

(73) Assignee: **Mophie, Inc.**, Tustin, CA (US)

(57) **CLAIM**

(**) Term: **14 Years**

The ornamental design for a dry mobile device camera case, as shown and described.

(21) Appl. No.: **29/428,556**

DESCRIPTION

(22) Filed: **Jul. 31, 2012**

(51) **LOC (10) Cl.** **03-01**

(52) **U.S. Cl.**
USPC **D3/294; D14/250**

(58) **Field of Classification Search**
USPC **D3/294, 285, 289; D14/250**
See application file for complete search history.

FIG. 1 is a front view of the dry mobile device camera case in the closed position;

FIG. 2 is a rear view of the dry mobile device camera case in the closed position;

FIG. 3 is a rear view of the mobile device in the dry mobile device camera case in the closed position;

FIG. 4 is a top view of the dry mobile device camera case in the closed position;

FIG. 5 is a bottom view of the dry mobile device camera case in the closed position;

FIG. 6 is a left view of the dry mobile device camera case in the closed position;

FIG. 7 is a right view of the dry mobile device camera case in the closed position;

FIG. 8 is a front view of the dry mobile device camera case in the closed position with the latch unclashed;

FIG. 9 is a left view of the dry mobile device camera case in the closed position with the latch unclashed;

FIG. 10 is an external view of the dry mobile device camera case in the open position with the latch unclashed;

FIG. 11 is an internal view of the dry mobile device camera case in the open position with the latch unclashed;

FIG. 12 is a left view of the dry mobile device camera case in the open position with the latch unclashed; and,

FIG. 13 is an internal view of the mobile device in the dry mobile device camera case in the open position with the latch unclashed.

(56) **References Cited**

U.S. PATENT DOCUMENTS

3,019,715	A	2/1962	Arnold et al.	
D265,829	S	8/1982	Shimoda	
D419,296	S	1/2000	Shinano	
6,138,826	A	10/2000	Kanamori et al.	
D453,177	S	1/2002	Uehara	
D464,196	S *	10/2002	Parker	D3/273
7,106,959	B2	9/2006	Sato	
D537,858	S	3/2007	Griffin et al.	
7,194,202	B2	3/2007	Funahashi et al.	
D557,897	S *	12/2007	Richardson et al.	D3/294
7,653,292	B2	1/2010	Yamaguchi et al.	
7,679,674	B2	3/2010	Nishizawa	
D616,479	S	5/2010	Ganahl, Jr.	

(Continued)

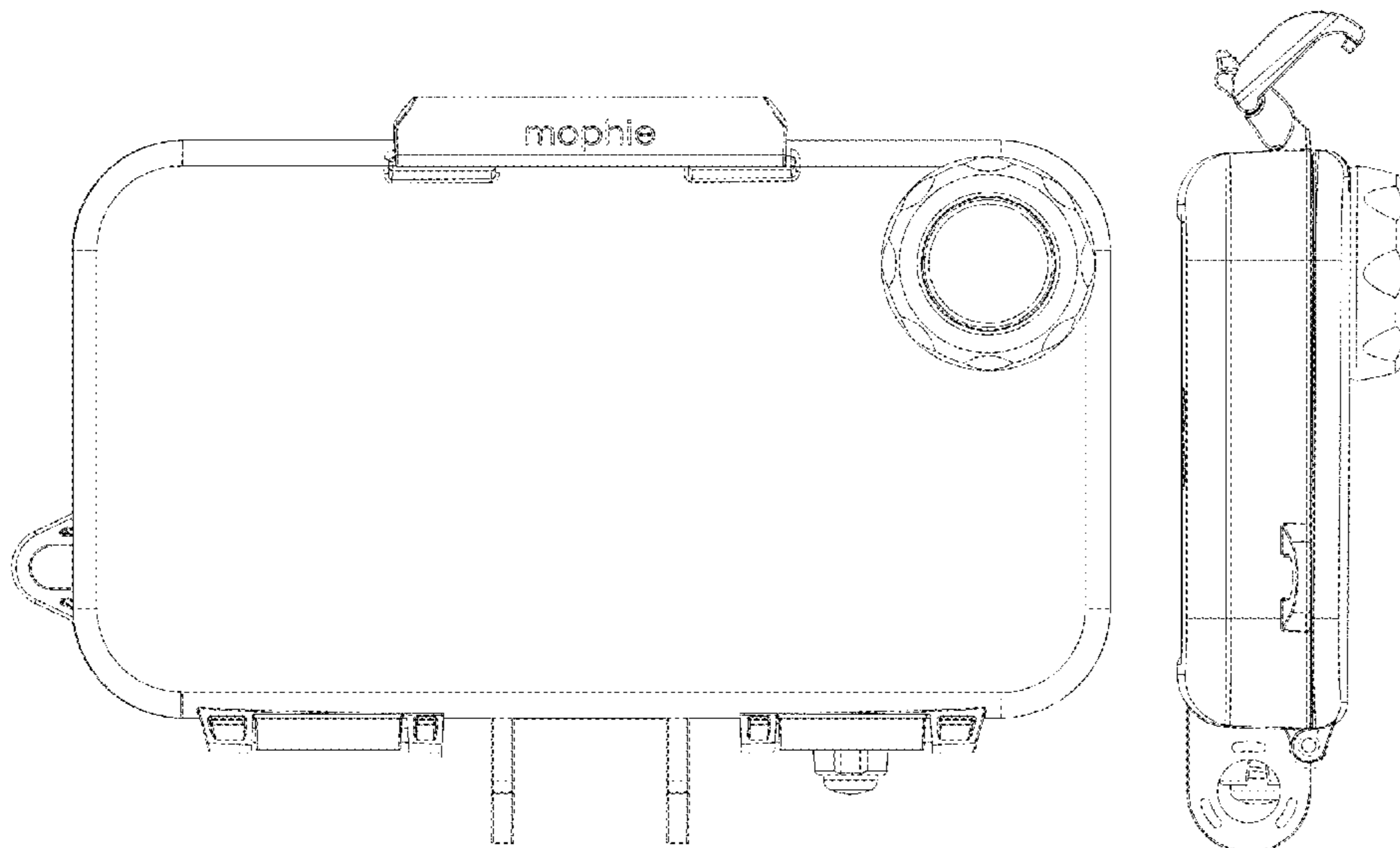
OTHER PUBLICATIONS

U.S. Appl. No. 29/436,918, filed Nov. 9, 2012, To et al.

U.S. Appl. No. 29/436,927, filed Nov. 9, 2012, To et al.

(Continued)

1 Claim, 13 Drawing Sheets



(56)

References Cited

U.S. PATENT DOCUMENTS

D621,432 S 8/2010 Yim
7,801,425 B2 9/2010 Fantone et al.
7,929,847 B2 4/2011 Yim
D645,663 S * 9/2011 Henley et al. D3/294
D646,313 S 10/2011 Woodman
D647,303 S * 10/2011 Mish et al. D3/294
D647,554 S 10/2011 Yim
D657,808 S 4/2012 Woodman
8,244,118 B2 8/2012 Stansbury
2005/0115852 A1 6/2005 Funahashi et al.
2006/0008262 A1 1/2006 Watanabe et al.
2006/0193615 A1 8/2006 Funahashi et al.

2007/0071423 A1 3/2007 Fantone et al.
2007/0110416 A1 5/2007 Yamaguchi et al.
2009/0110380 A1 4/2009 Fantone et al.
2009/0317069 A1 12/2009 Yim
2011/0147245 A1 6/2011 Yim
2013/0184033 A1 7/2013 Willenborg

OTHER PUBLICATIONS

U.S. Appl. No. 29/441,595, filed Jan. 7, 2013, Namminga et al.
U.S. Appl. No. 29/441,597, filed Jan. 7, 2013, Namminga et al.
U.S. Appl. No. 29/428,555, filed Jul. 31, 2012, To et al.
U.S. Appl. No. 29/410,511, filed Jan. 9, 2012, To.

* cited by examiner

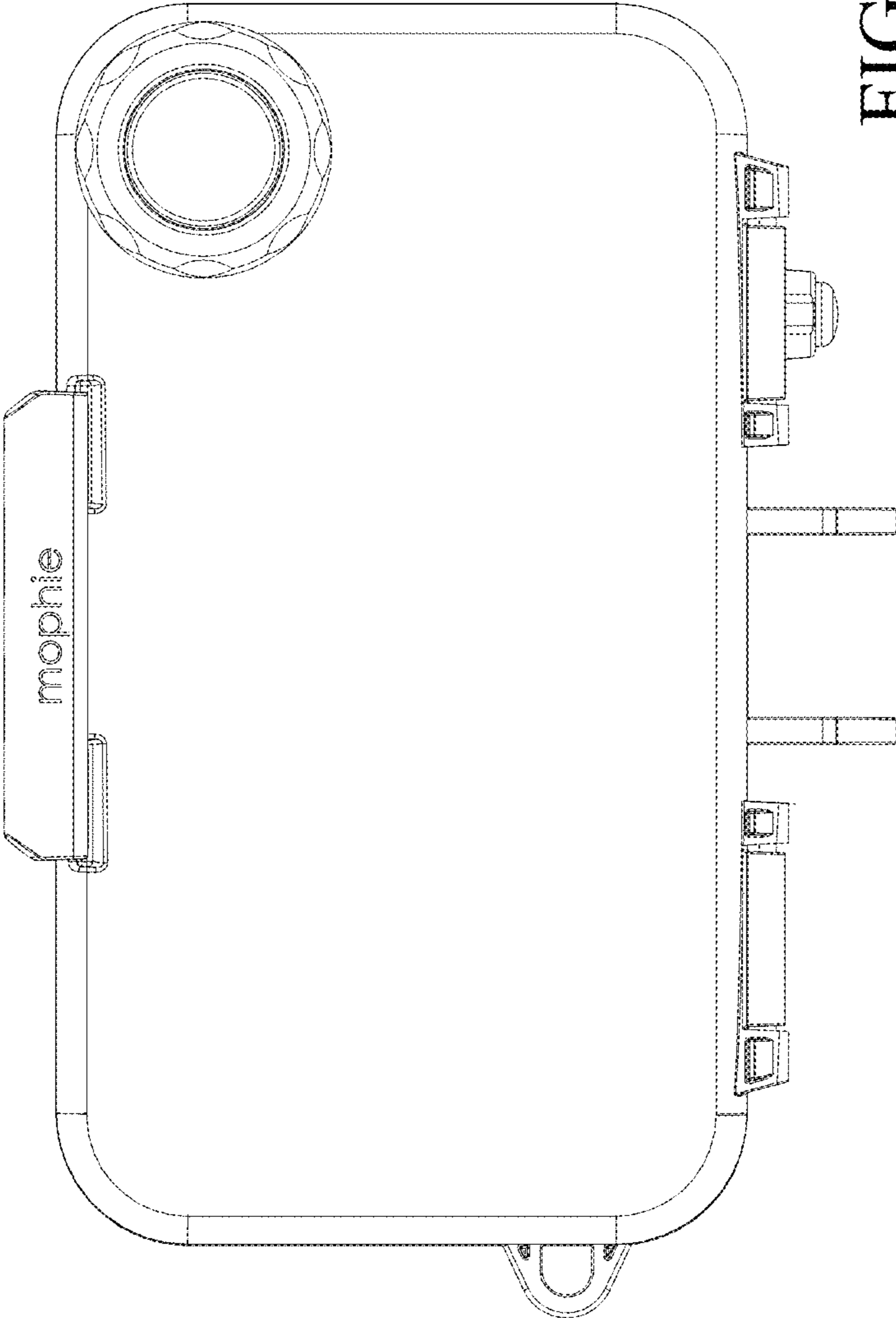


FIG. 1

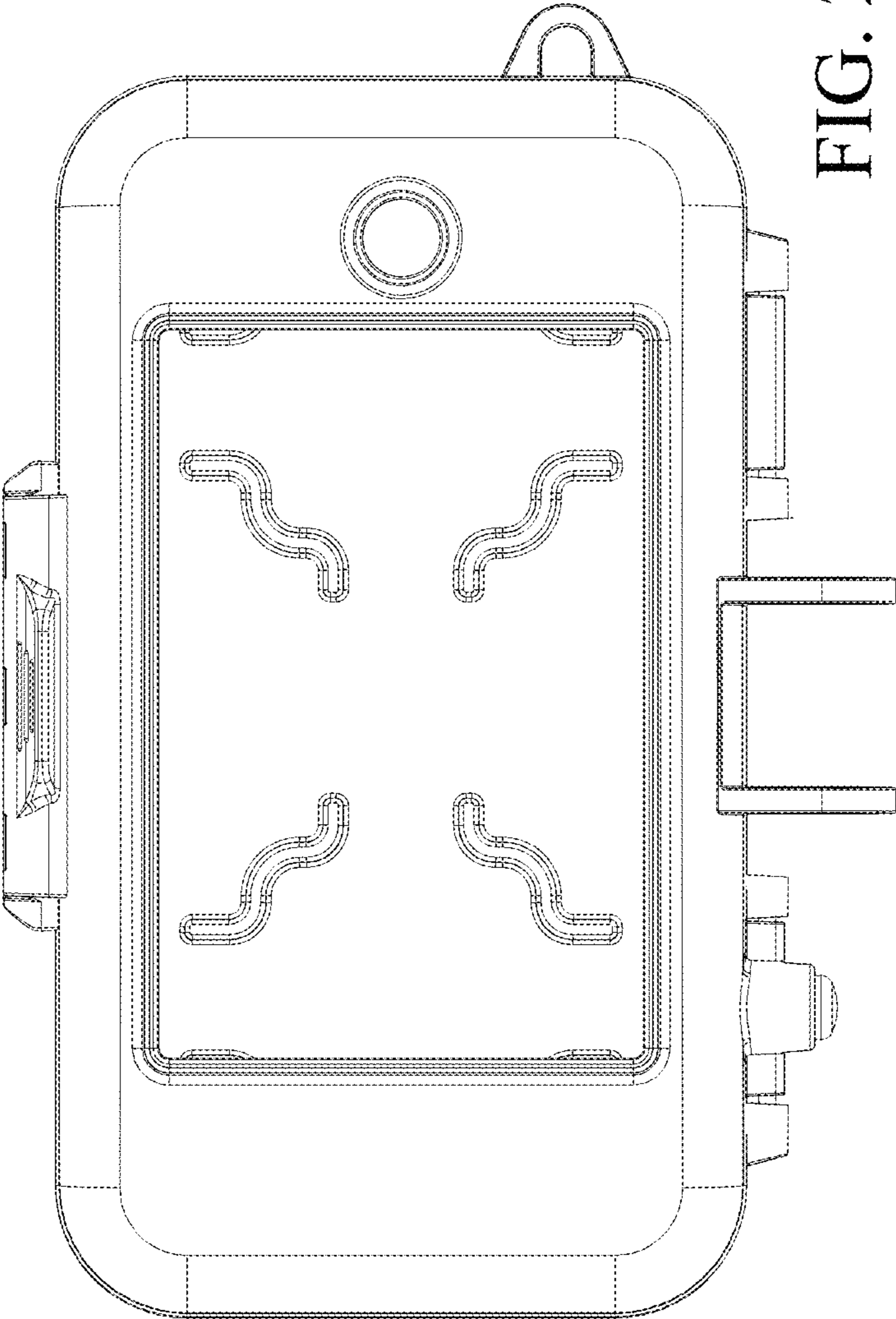


FIG. 2

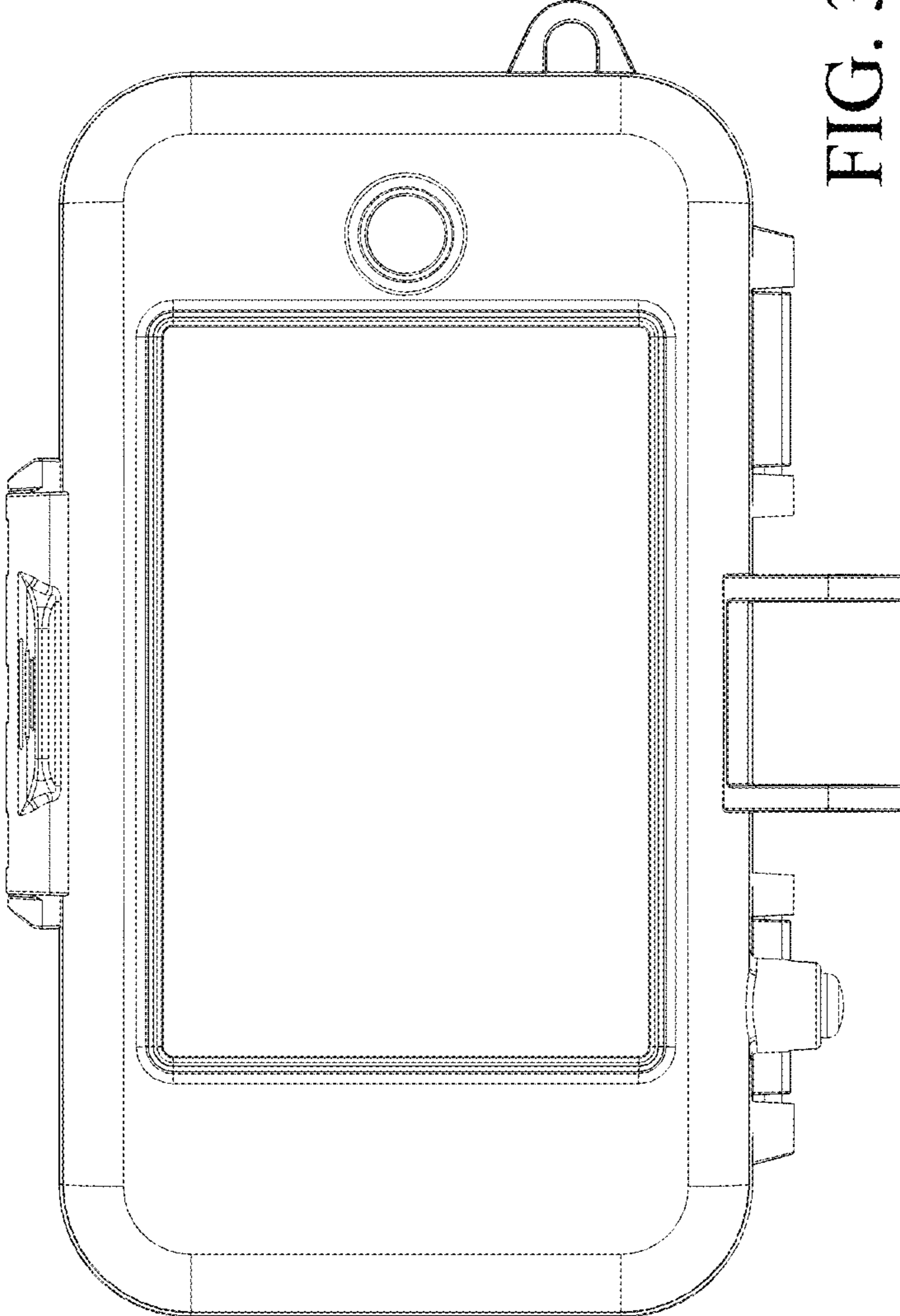


FIG. 3

FIG. 4

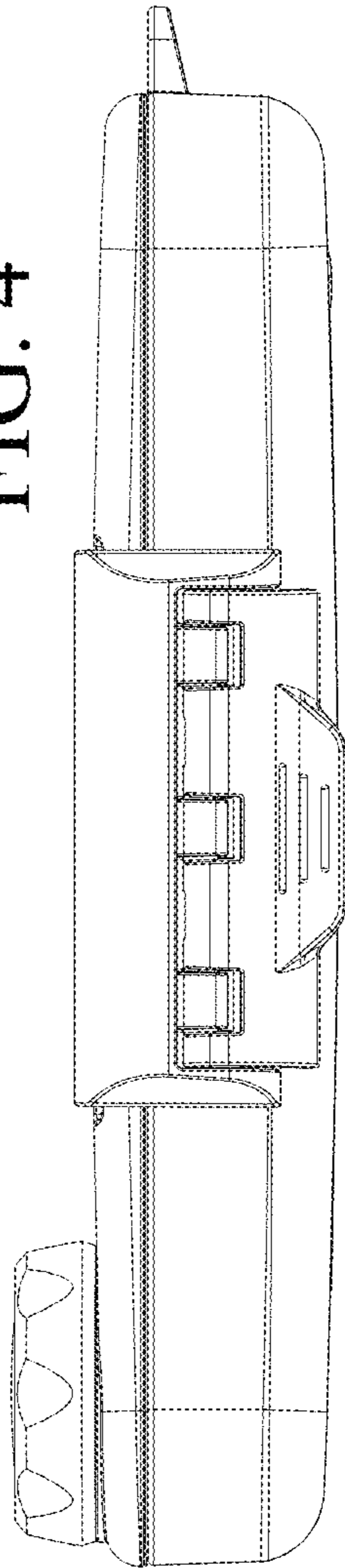
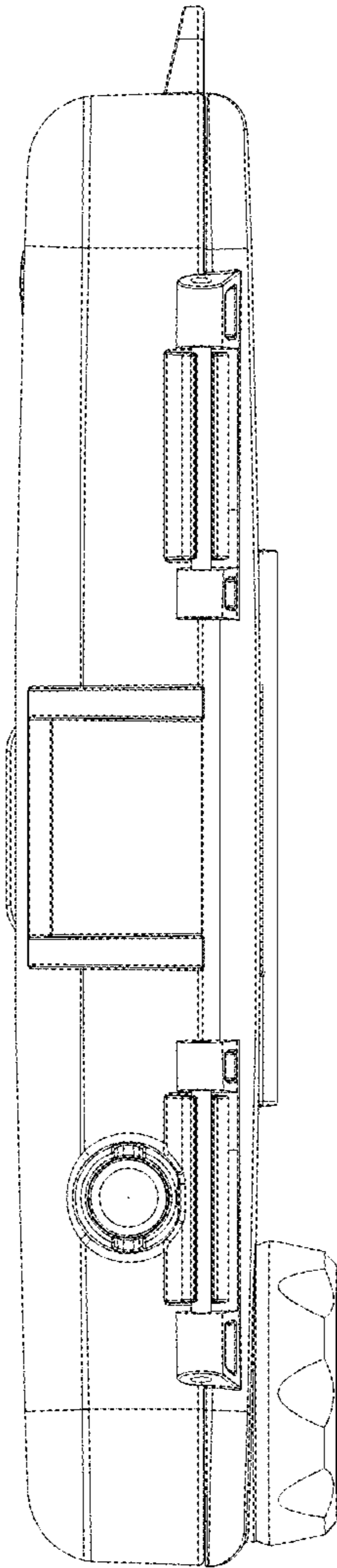


FIG. 5



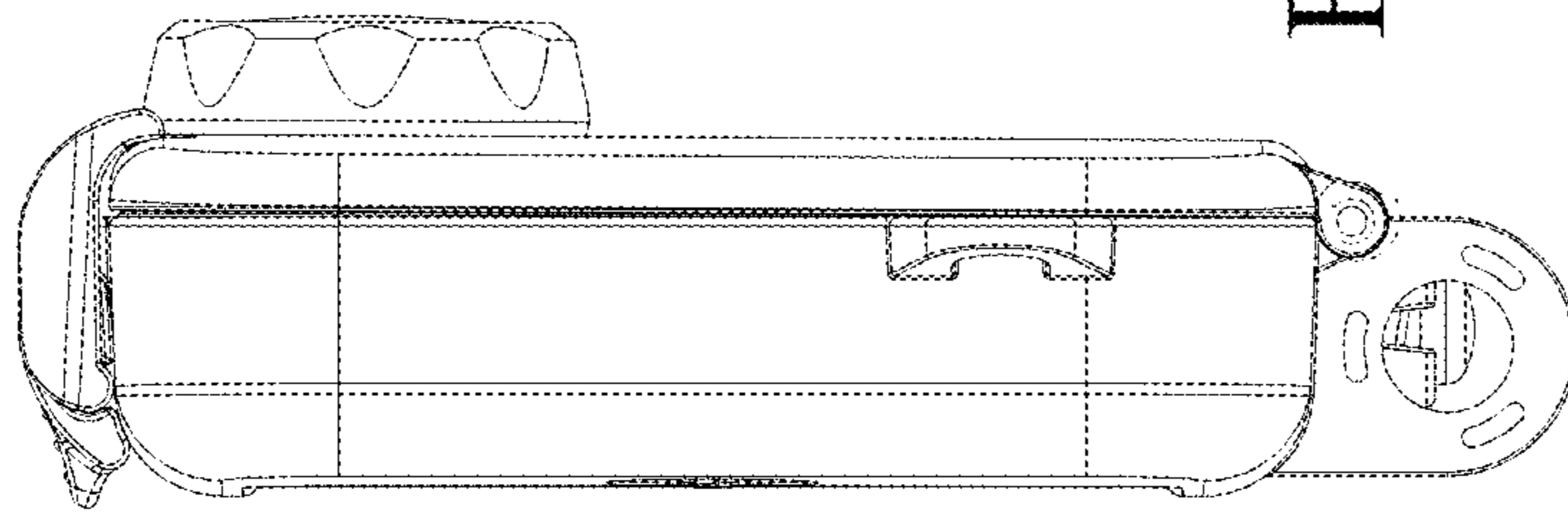


FIG. 6

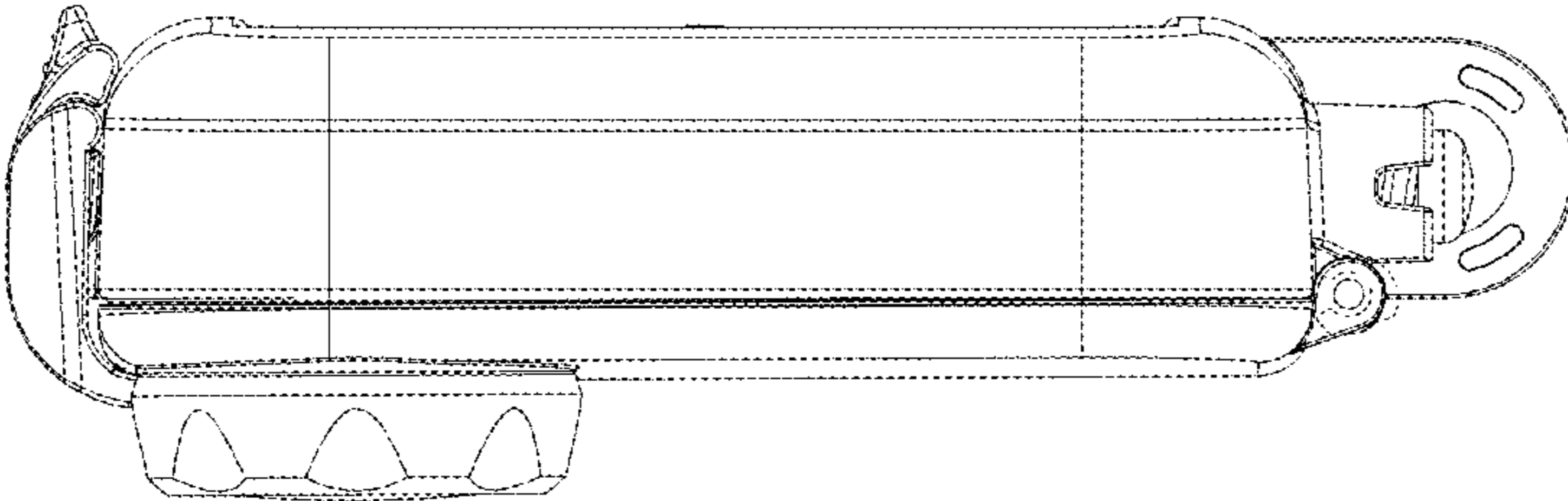
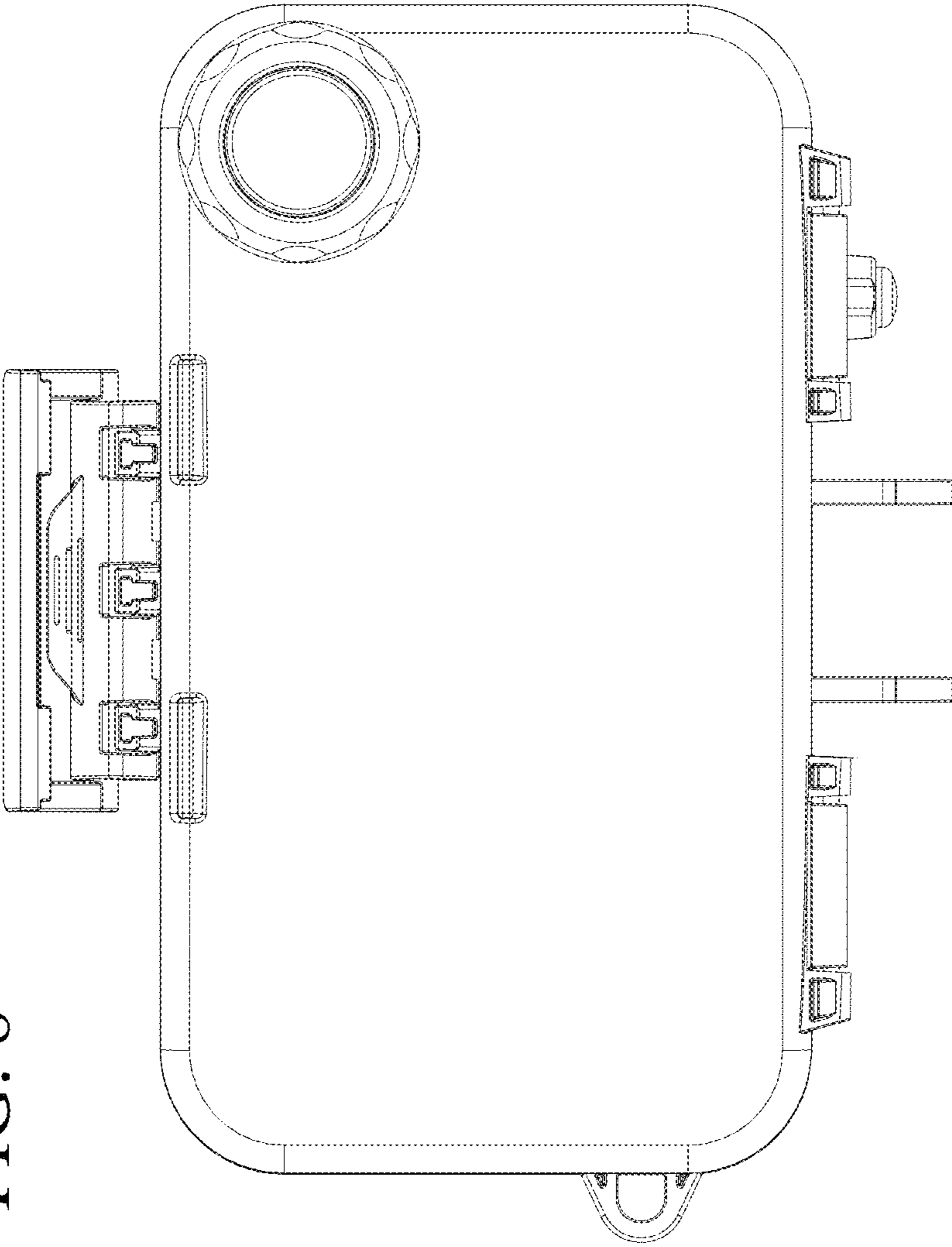


FIG. 7

FIG. 8



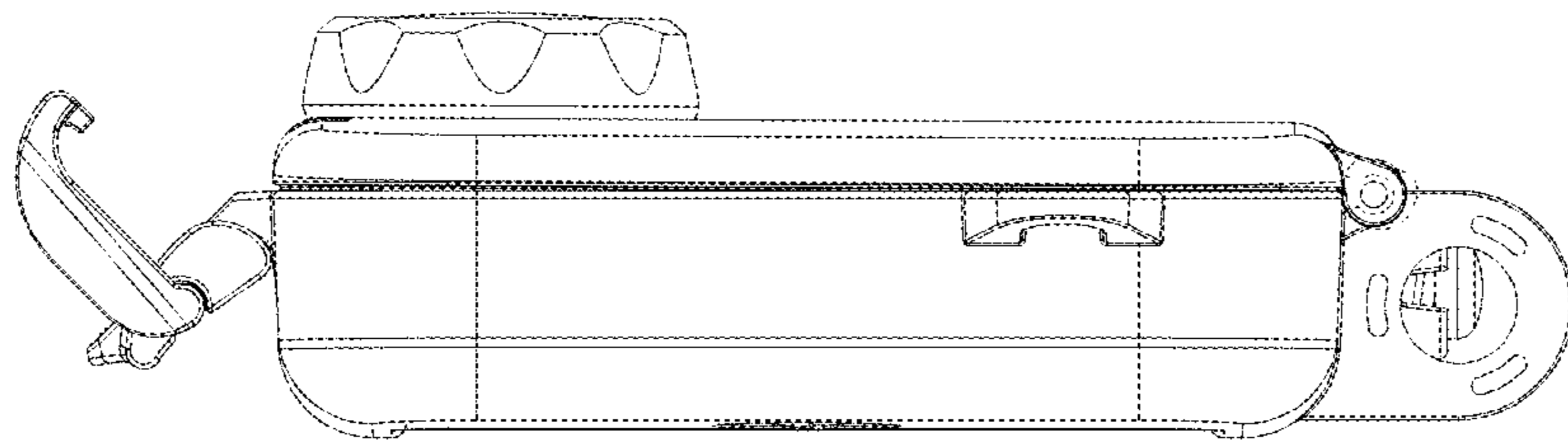
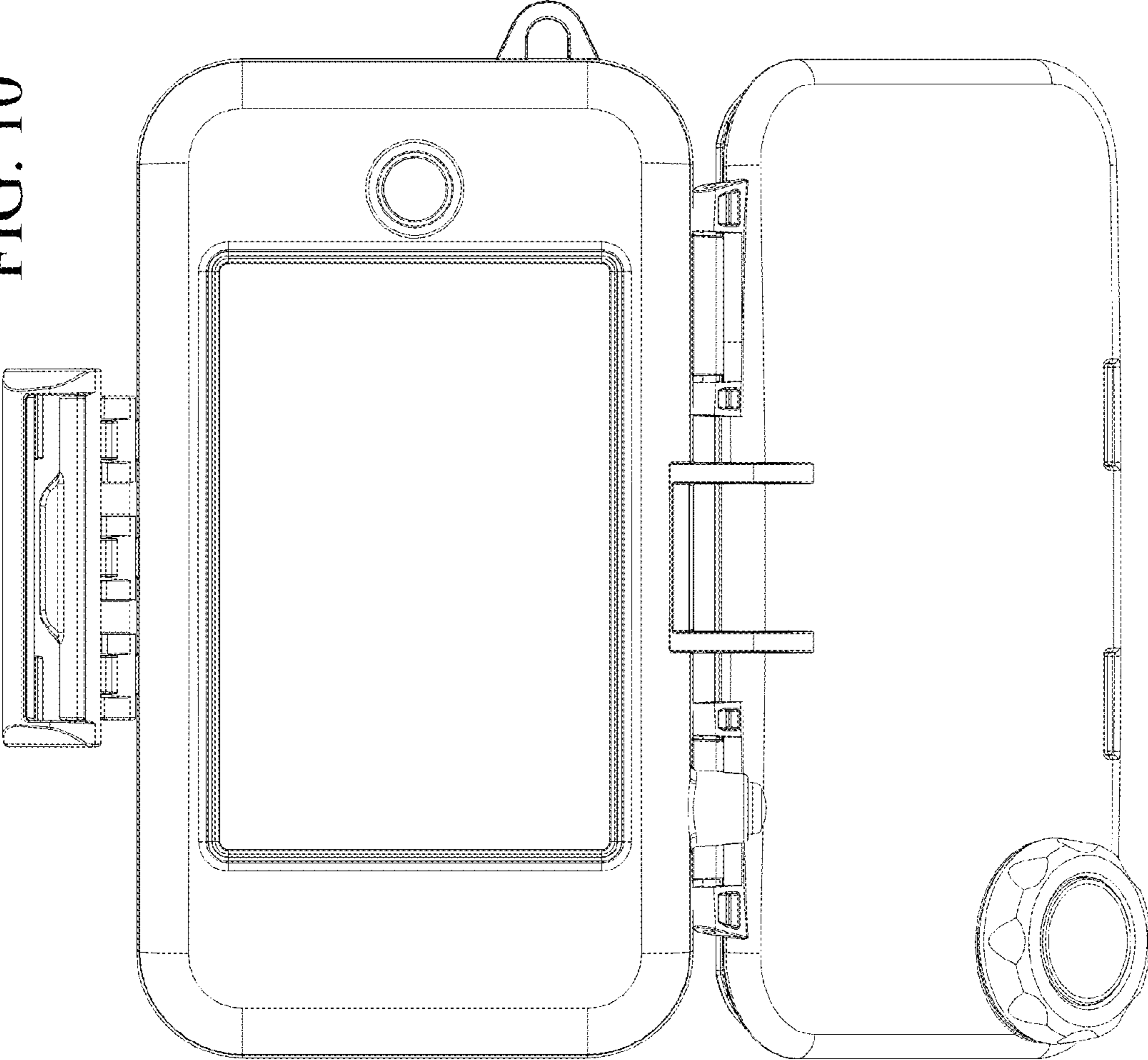


FIG. 9

FIG. 10



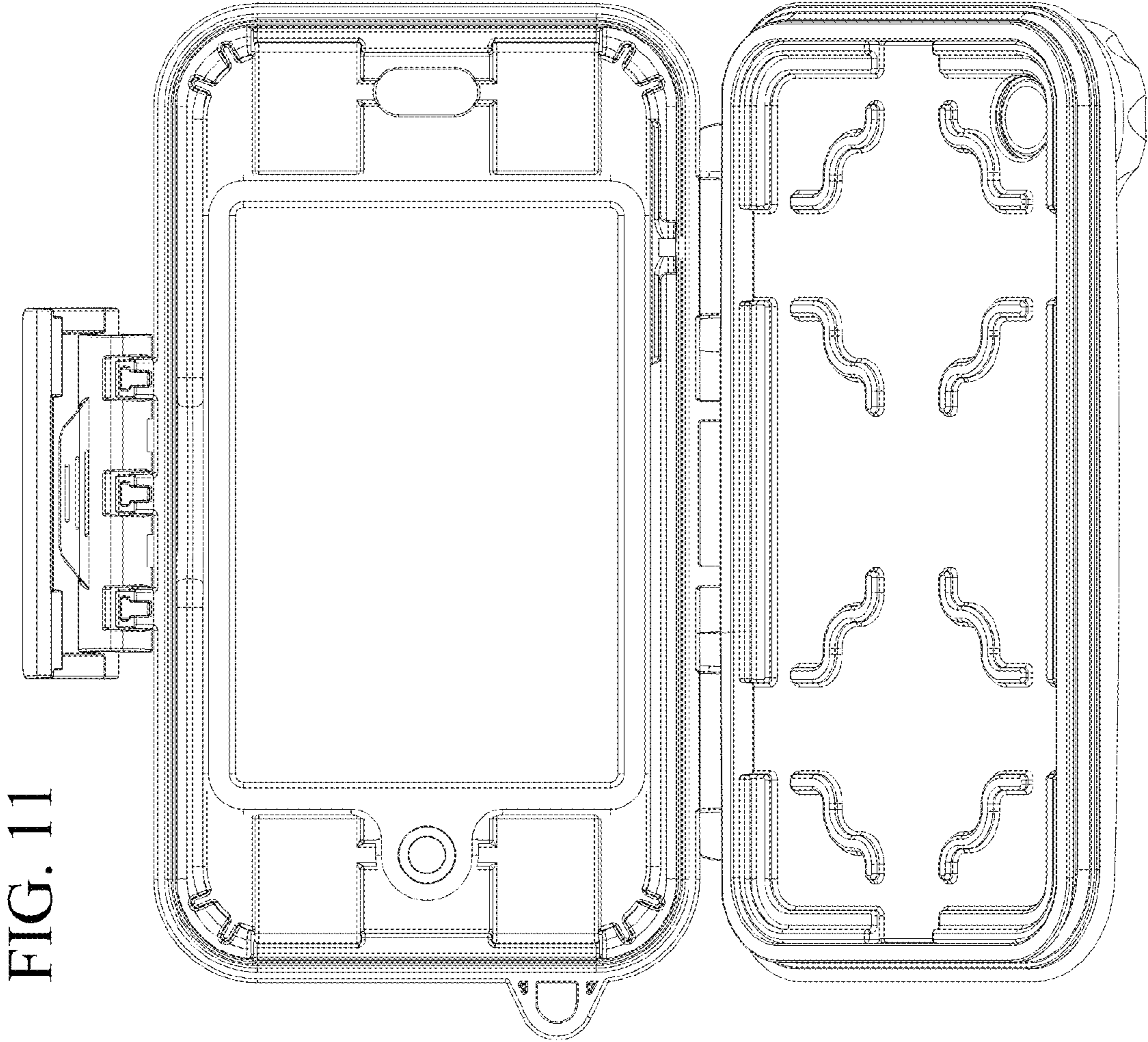


FIG. 11

FIG. 12

