



US00D699946S

(12) **United States Design Patent**
Lee et al.

(10) **Patent No.:** **US D699,946 S**

(45) **Date of Patent:** **** Feb. 25, 2014**

(54) **CADDY**

(71) Applicant: **Target Brands, Inc.**, Minneapolis, MN (US)

(72) Inventors: **Megan L. Lee**, North Oaks, MN (US); **Stacy L. Abel**, Maple Grove, MN (US); **Emily A. Hendley**, Springfield, MO (US); **Jason M. Berke**, Minneapolis, MN (US); **Pathakone Wagner**, Minneapolis, MN (US)

(73) Assignee: **Target Brands, Inc.**, Minneapolis, MN (US)

(**) Term: **14 Years**

(21) Appl. No.: **29/444,544**

(22) Filed: **Jan. 31, 2013**

(51) **LOC (10) Cl.** **03-01**

(52) **U.S. Cl.**
USPC **D3/271.1**

(58) **Field of Classification Search**
USPC D3/270, 271.1, 271.2; D11/143, 149, D11/158, 135; 206/459; D19/82; D6/525, D6/534, 539, 557

See application file for complete search history.

(56) **References Cited**

U.S. PATENT DOCUMENTS

D16,453 S *	1/1886	Pike	D19/94
D74,109 S *	12/1927	Heard	D3/271.2
D247,204 S *	2/1978	Daugherty	D6/557
D672,108 S	12/2012	Lee et al.		
D682,549 S *	5/2013	Lee et al.	D3/271.2

OTHER PUBLICATIONS

Target, "Circo® Storage Bin Owl," <http://www.target.com/p/circo-storage-bin-owl/-/A-13941043>, 1 page, at least as early as Sep. 2012.

Tax-Frees.EU, "Circo Bathroom Dixie Paper Cup Holder—Love & Nature—Owl," <http://tax-frees.eu/item/circo-bathroom-dixie-paper-cup-holder---love--nature---owl-349068.html>, 1 page, at least as early as Sep. 2012.

Ebay, "New Circo Love n and & Nature Owl Wastebasket Garbage Can Bath Bathroom Kids," http://www.ebay.com/itm/NEW-Circo-LOVE-n-and-NATURE-Owl-Wastebasket-Garbage-Can-Bath-Bathroom-Kids-/370664770981?pt=LH_DefaultDomain_0&hash=item564d578da5, 1 page, at least as early as Sep. 2012.

Target, Circo® Love n Nature Owl Pillow—Pink, <http://www.target.com/p/circo-love-n-nature-owl-pillow-pink-13/-/A-13547276>, 1 page, at least as early as Sep. 2012.

Wanelo, "Circo® Love N Nature Owl Soap Pump," <http://wanelo.com/p/265047/circo-love-n-nature-owl-soap-pump>, 1 page, at least as early as Sep. 2012.

Target, "Circo® Owl Bath Rug," http://www.target.com/p/circo-owl-bath-rug/-/A-14257230#prodSlot=medium_1_4&term=owl-rug, 1 page, at least as early as Sep. 2012.

* cited by examiner

Primary Examiner — Cynthia Ramirez

(74) *Attorney, Agent, or Firm* — Leanne Taveggia Farrell; Westman, Champlin & Koehler, P.A.

(57) **CLAIM**

The ornamental design for a caddy, as shown and described.

DESCRIPTION

FIG. 1 is a top perspective view of a caddy;

FIG. 2 is a front view thereof;

FIG. 3 is a back view thereof;

FIG. 4 is a left side view thereof;

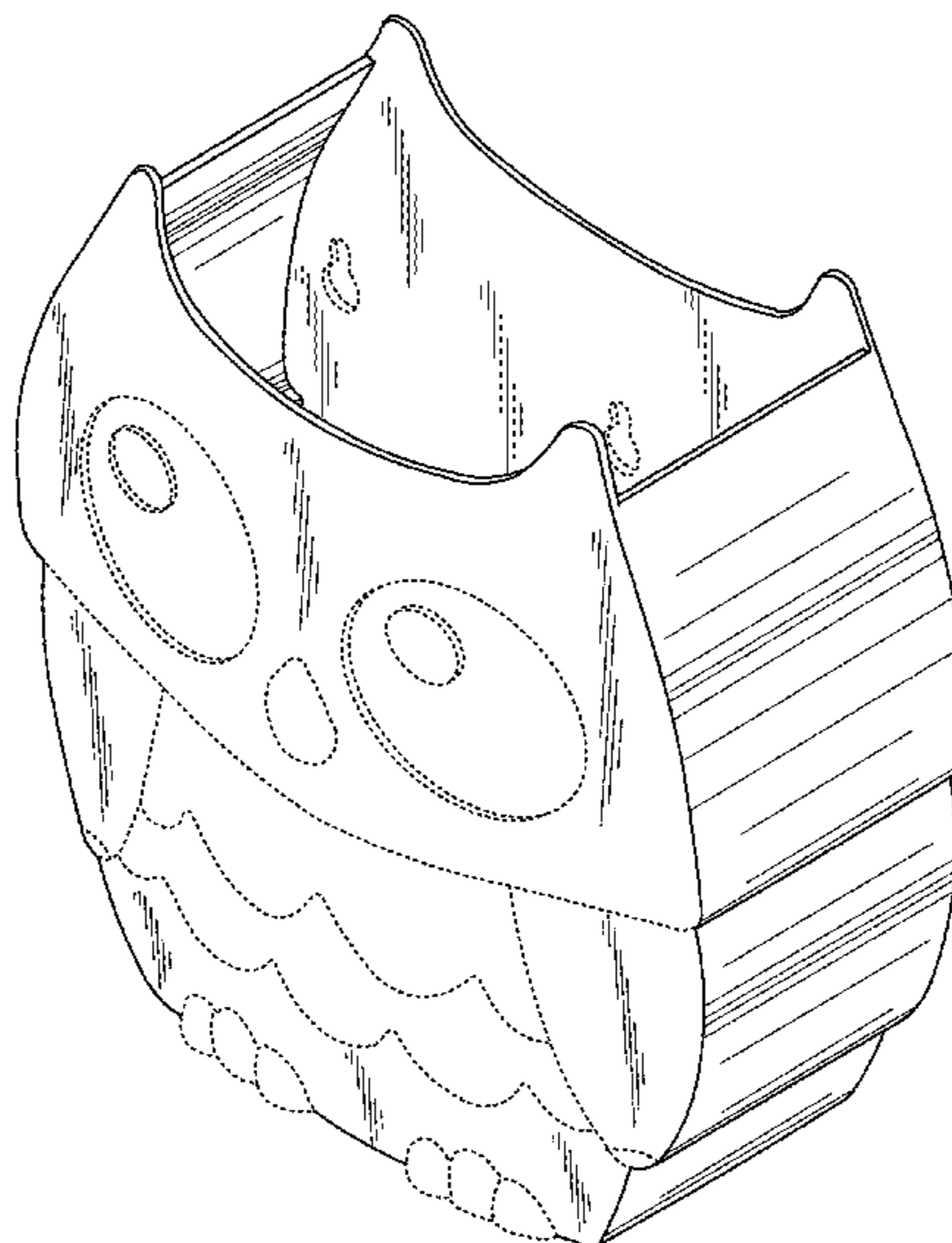
FIG. 5 is a right side view thereof;

FIG. 6 is a top view thereof; and,

FIG. 7 is a bottom view thereof.

The broken lines shown in the drawings are included for purposes of illustrating portions of the caddy and form no part of the claimed design.

1 Claim, 7 Drawing Sheets



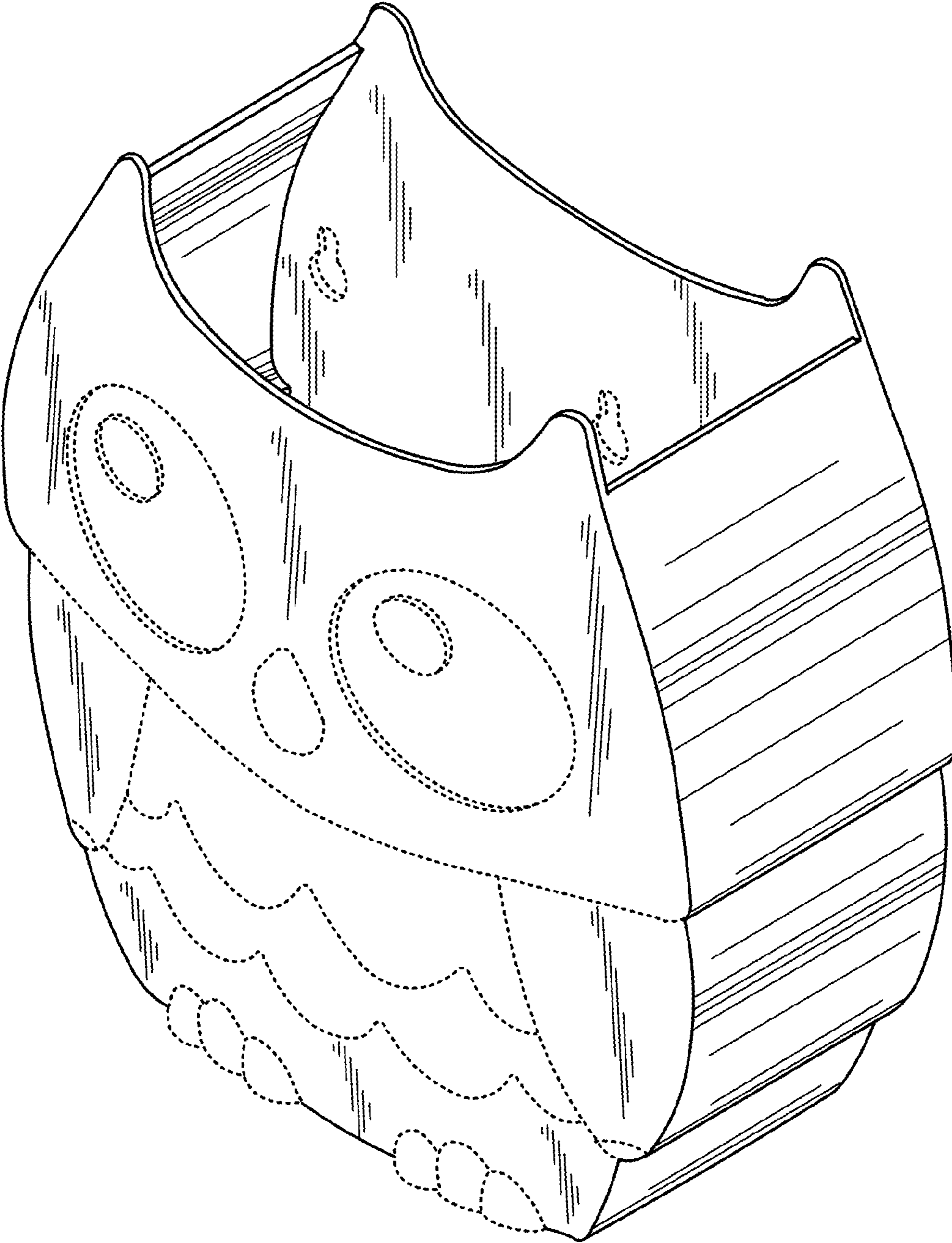


FIG. 1

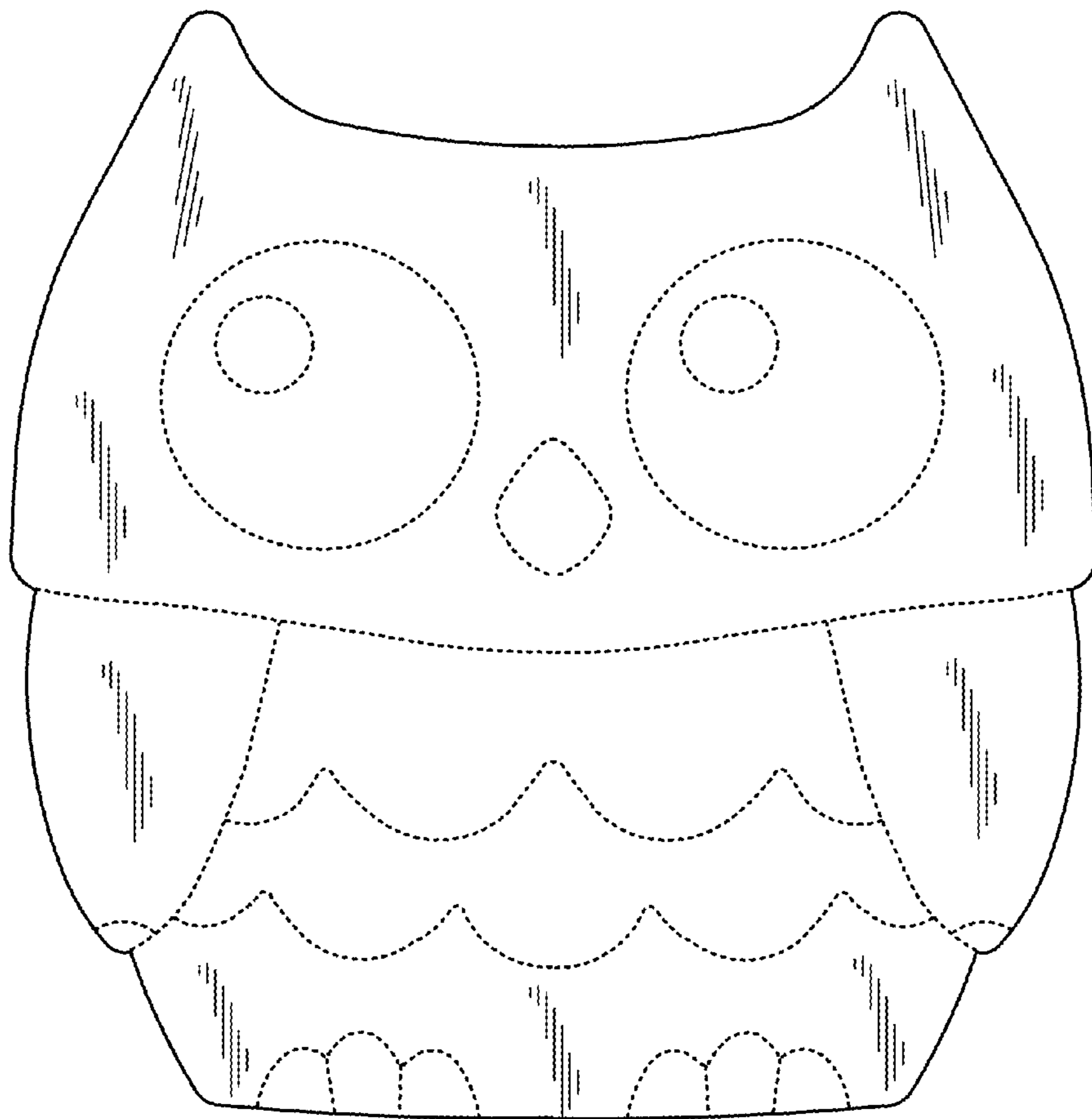


FIG. 2

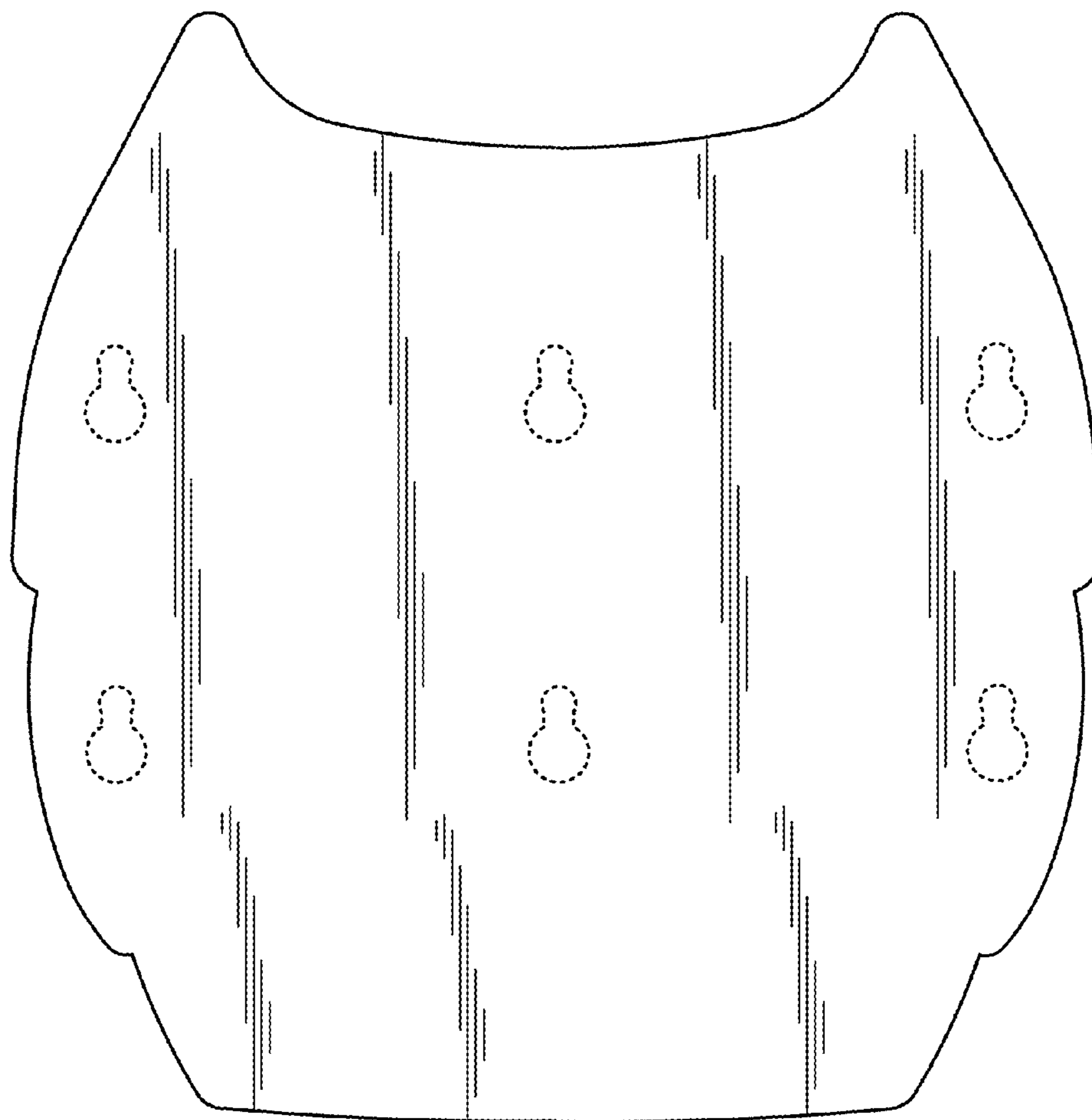


FIG. 3

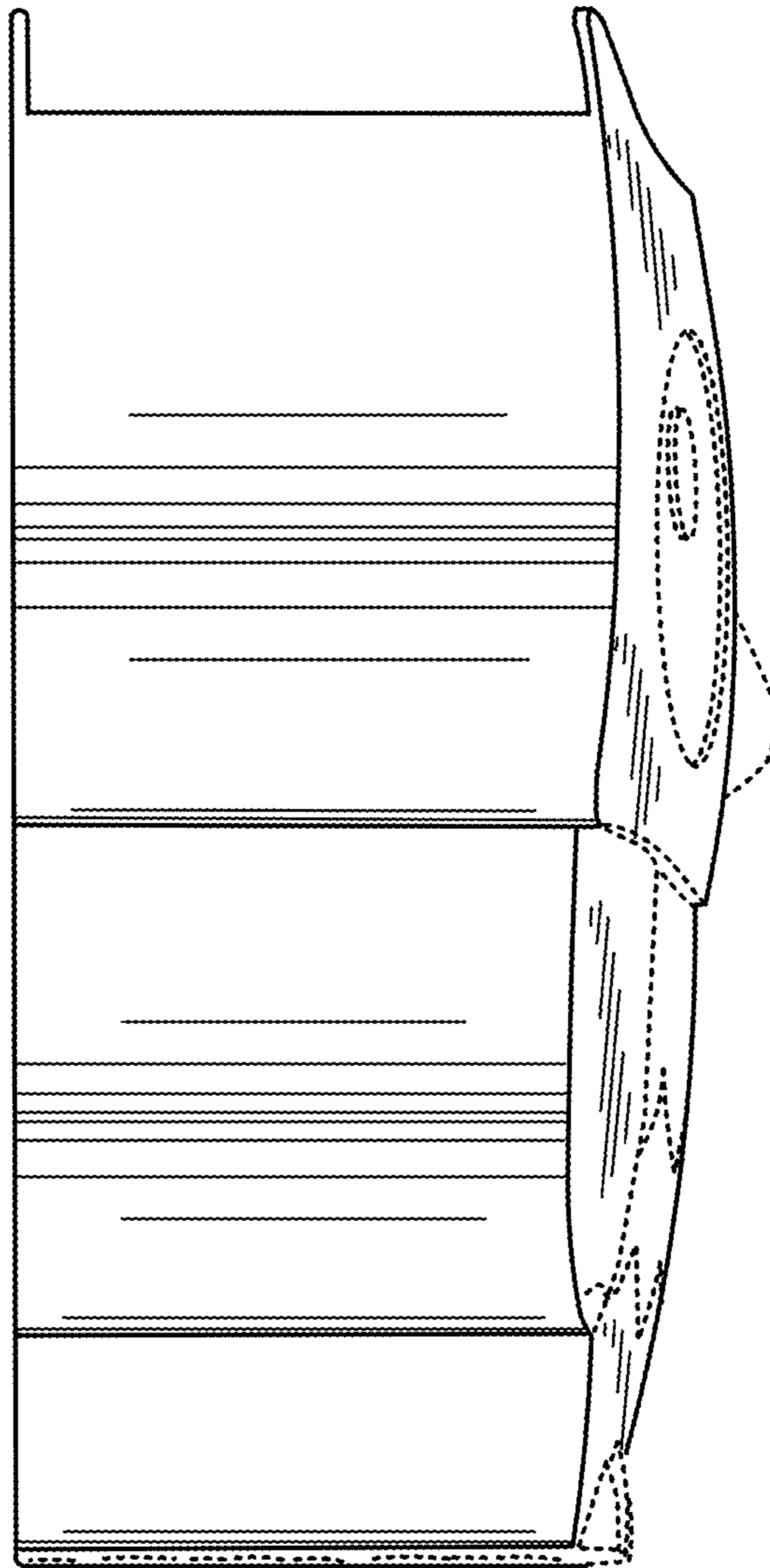


FIG. 4

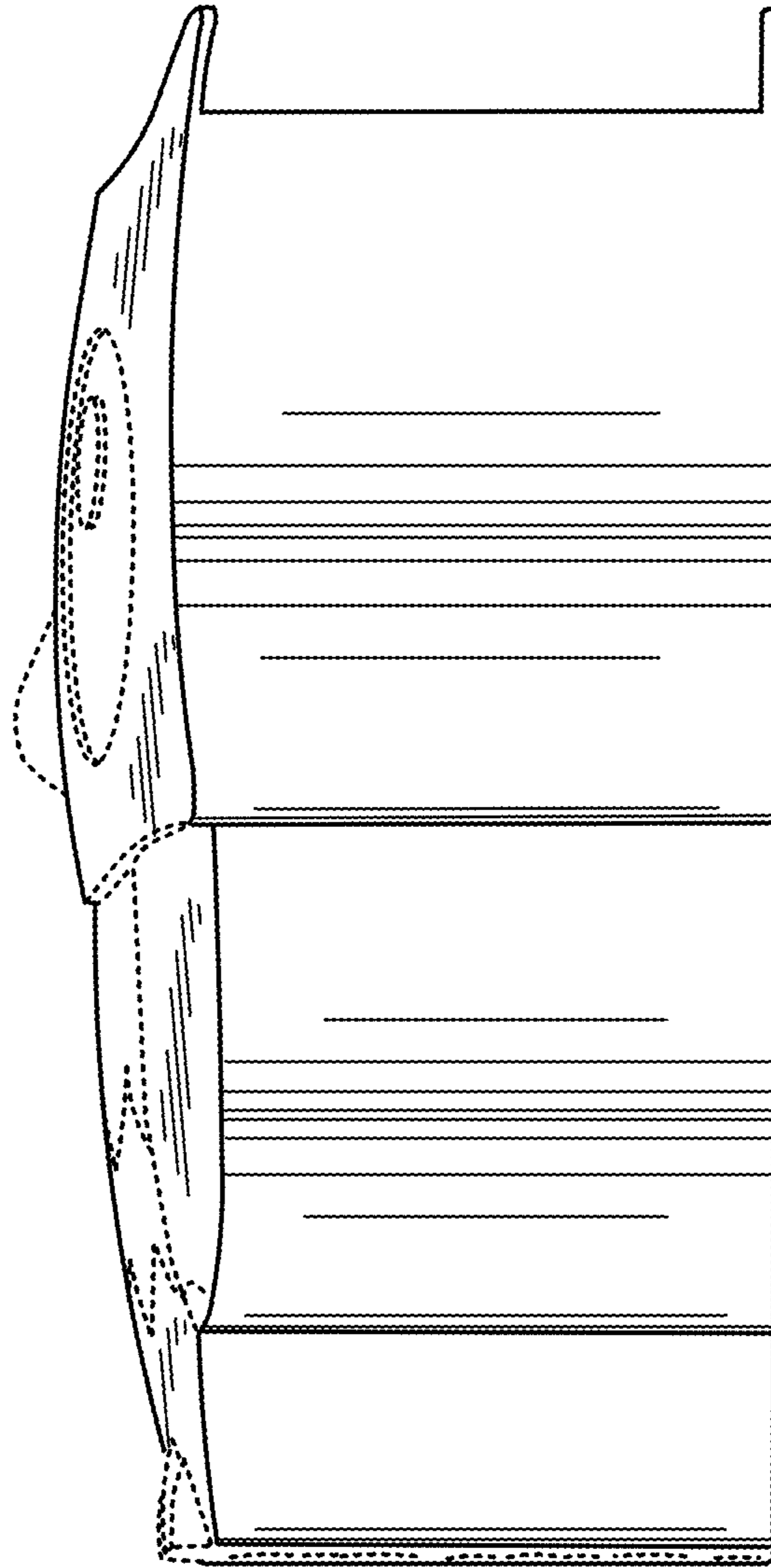


FIG. 5

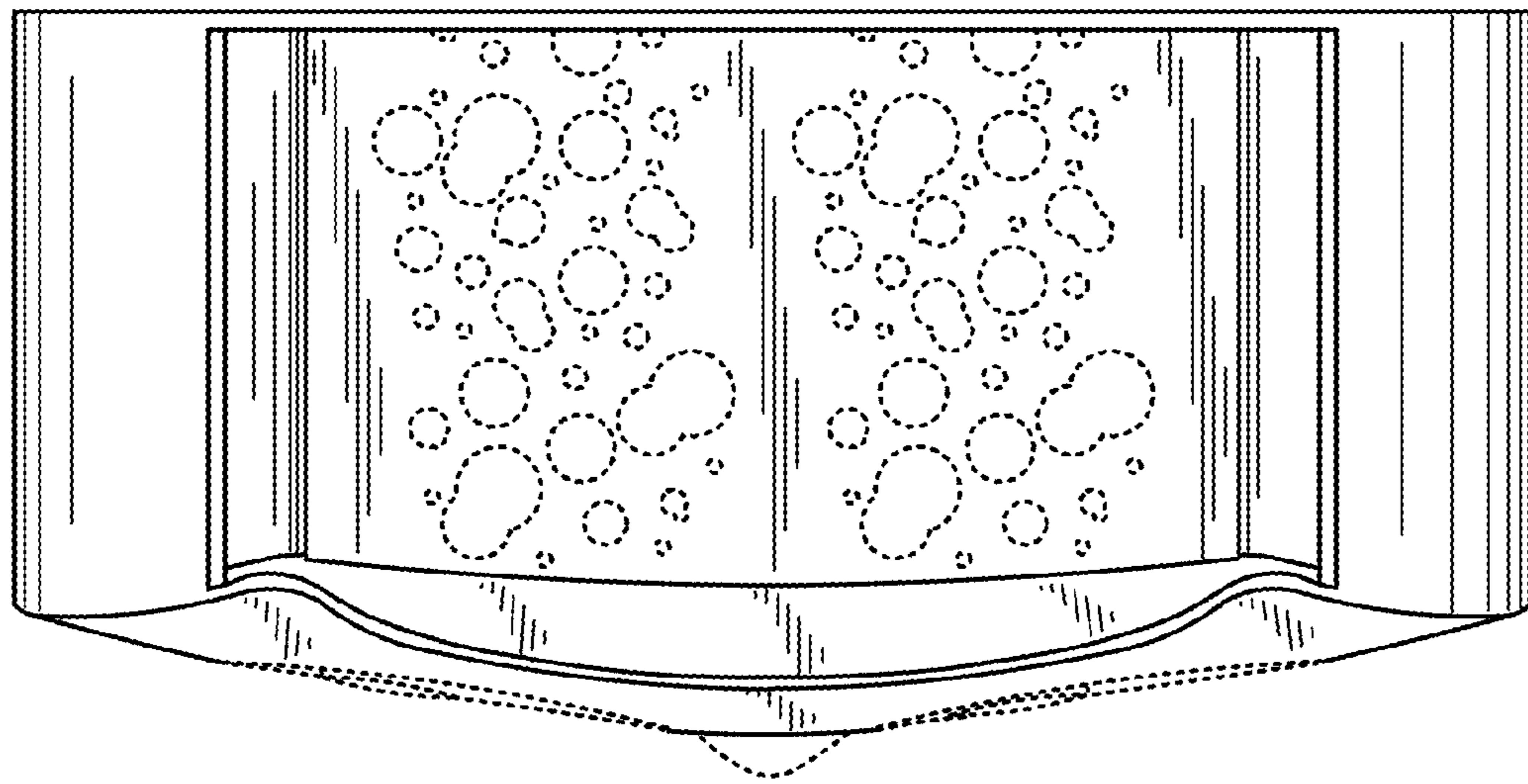


FIG. 6

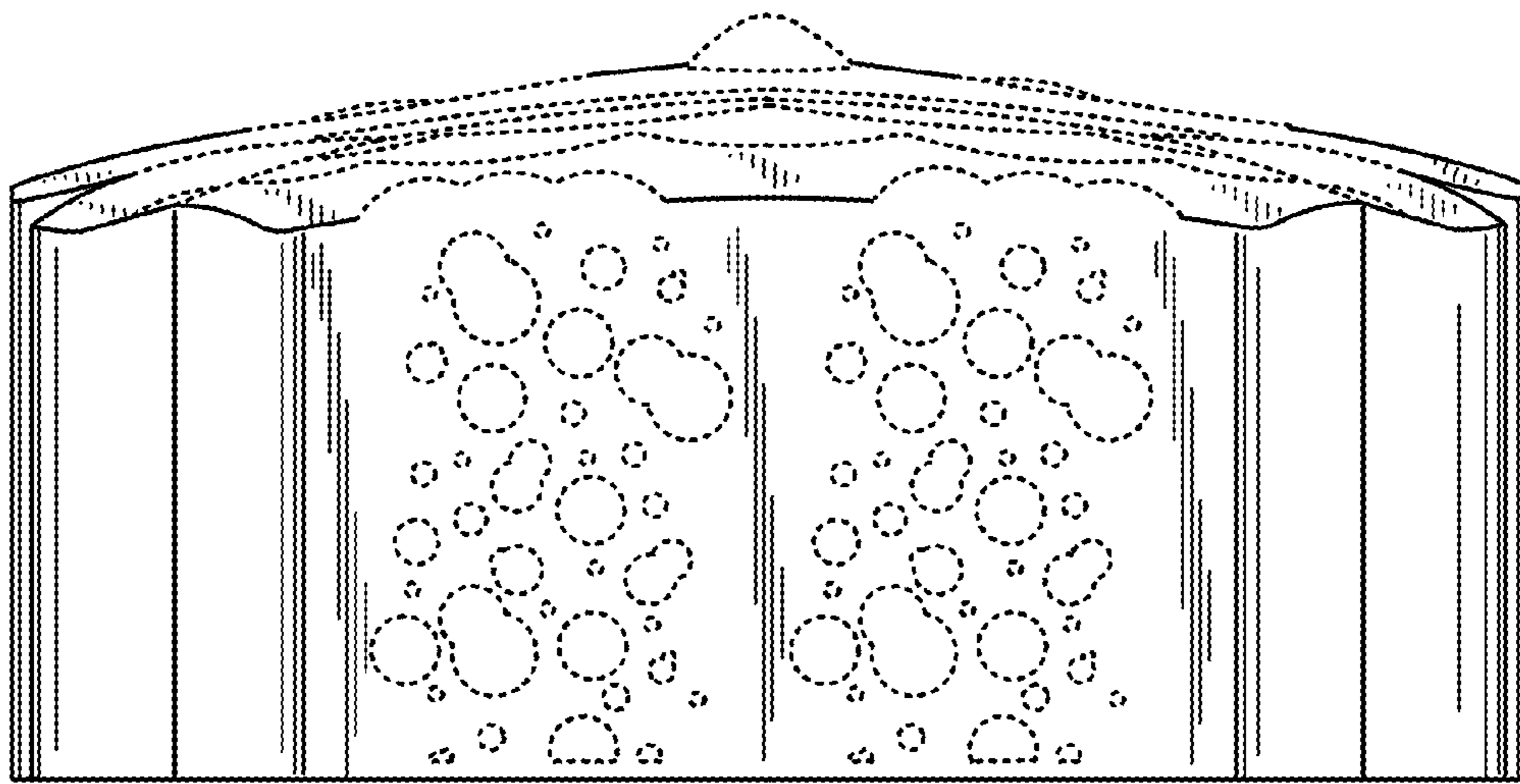


FIG. 7