

US00D699925S

(12) **United States Design Patent**
Savage

(10) **Patent No.:** **US D699,925 S**

(45) **Date of Patent:** **** Feb. 25, 2014**

(54) **SLEEVE CUFFS FOR A GARMENT**

(75) Inventor: **Shannon Savage**, Vancouver (CA)

(73) Assignee: **Lululemon Athletica Canada Inc.**,
Vancouver (CA)

(**) Term: **14 Years**

(21) Appl. No.: **29/396,380**

(22) Filed: **Jun. 29, 2011**

(51) **LOC (10) Cl.** **02-01**

(52) **U.S. Cl.**
USPC **D2/858**

(58) **Field of Classification Search**
USPC D2/858, 853, 621, 747, 750, 759, 760,
D2/779, 780, 828; 2/162, 917, 170, 123,
2/60, 2.17, 108; 224/164, 166, 222, 170
See application file for complete search history.

(56) **References Cited**

U.S. PATENT DOCUMENTS

D402,441 S *	12/1998	Kelly	D2/858
7,120,936 B2 *	10/2006	DeSantis	2/123
D576,377 S *	9/2008	Galasso	D2/858
D576,378 S *	9/2008	Galasso	D2/858
D584,883 S *	1/2009	Galasso	D2/858
D615,280 S *	5/2010	Graulich	D2/858
D628,362 S *	12/2010	Bonelli	D2/858

* cited by examiner

Primary Examiner — Celia Murphy

Assistant Examiner — Eleni Aldridge

(74) *Attorney, Agent, or Firm* — McCarthy Tetrault LLP

(57) **CLAIM**

The ornamental design for sleeve cuffs for a garment, as shown and described.

DESCRIPTION

FIG. 1 is a front elevational view of sleeve cuffs for a garment showing my new design;

FIG. 2 is a rear elevational view thereof;

FIG. 3 is an enlarged front elevational view of the left sleeve cuff, the right sleeve cuff being a mirror image thereof;

FIG. 4 is an enlarged rear view of the left sleeve cuff;

FIG. 5 is an enlarged right side view of the left sleeve cuff;

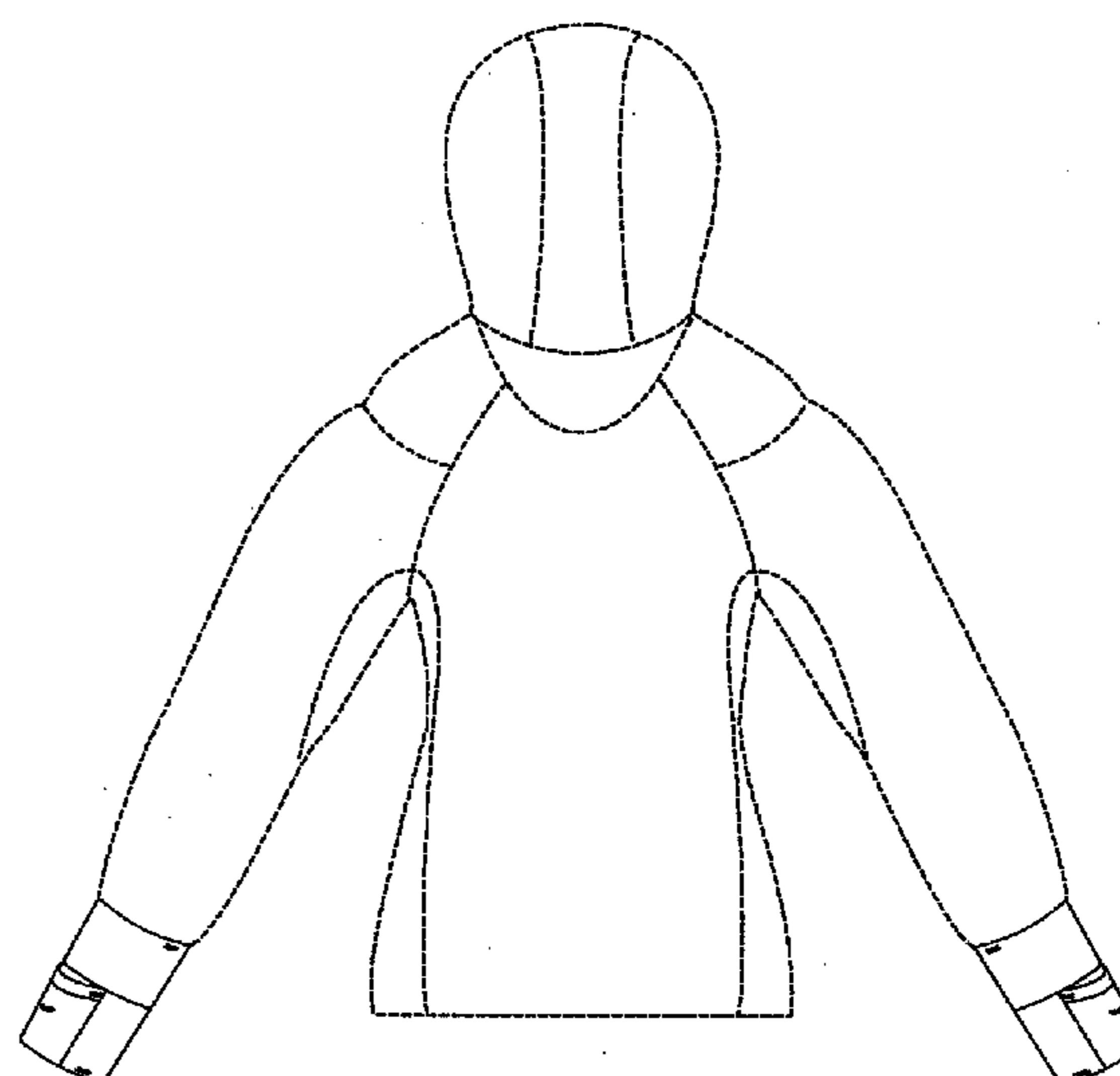
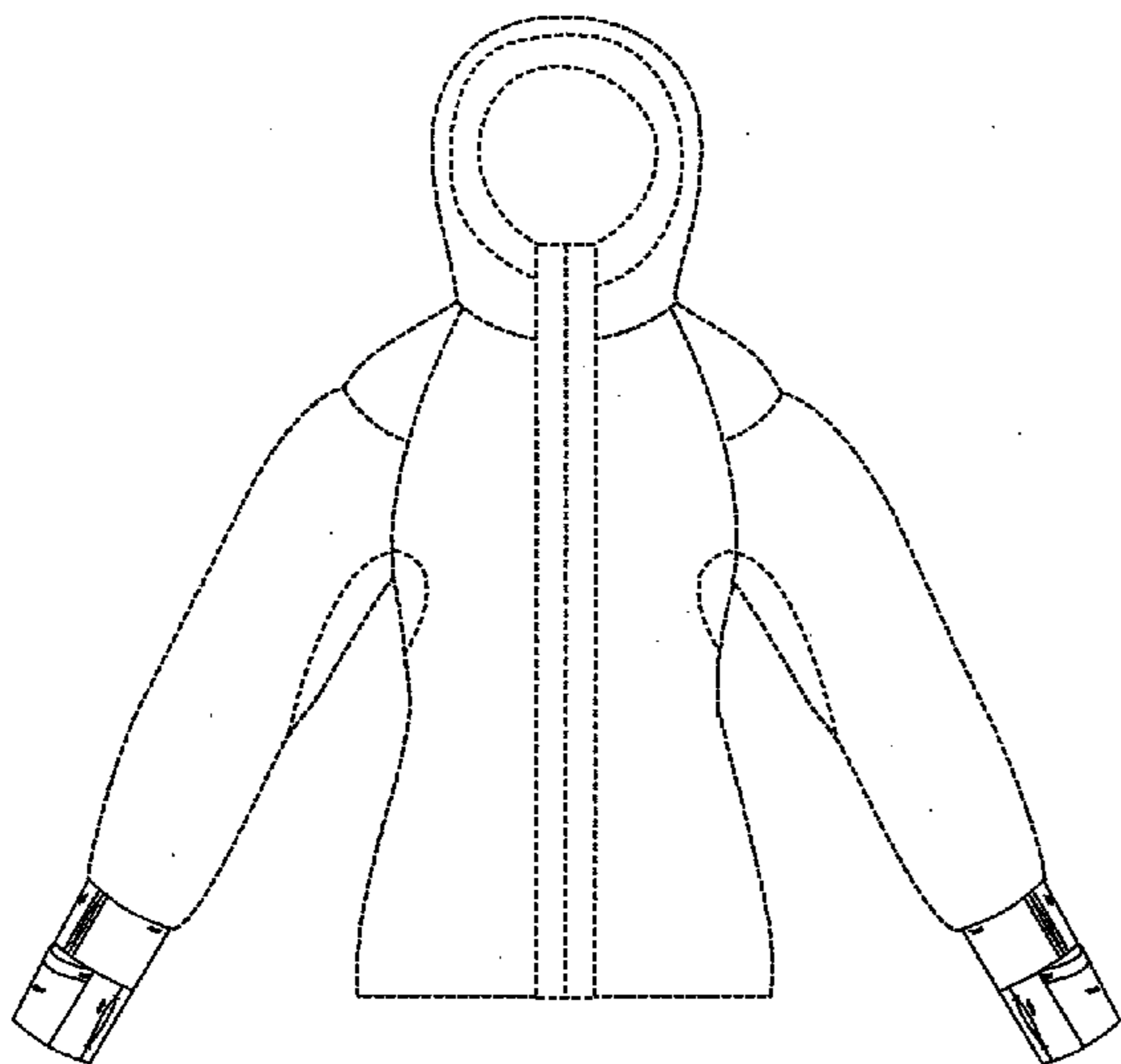
FIG. 6 is an enlarged inner left side view of the left sleeve cuff;

FIG. 7 is an enlarged front perspective view of the left sleeve cuff; and,

FIG. 8 is an enlarged front perspective view of the left sleeve cuff shown opened to expose a wristwatch.

The broken lines showing a jacket in FIGS. 1 and 2, and a portion thereof in FIGS. 3-8, illustrate the environment in which the cuffs reside. The wristwatch and the human hand shown in FIG. 8 are included for the purpose of illustrating the use of the cuffs. The broken lines form no part of the claim.

1 Claim, 8 Drawing Sheets



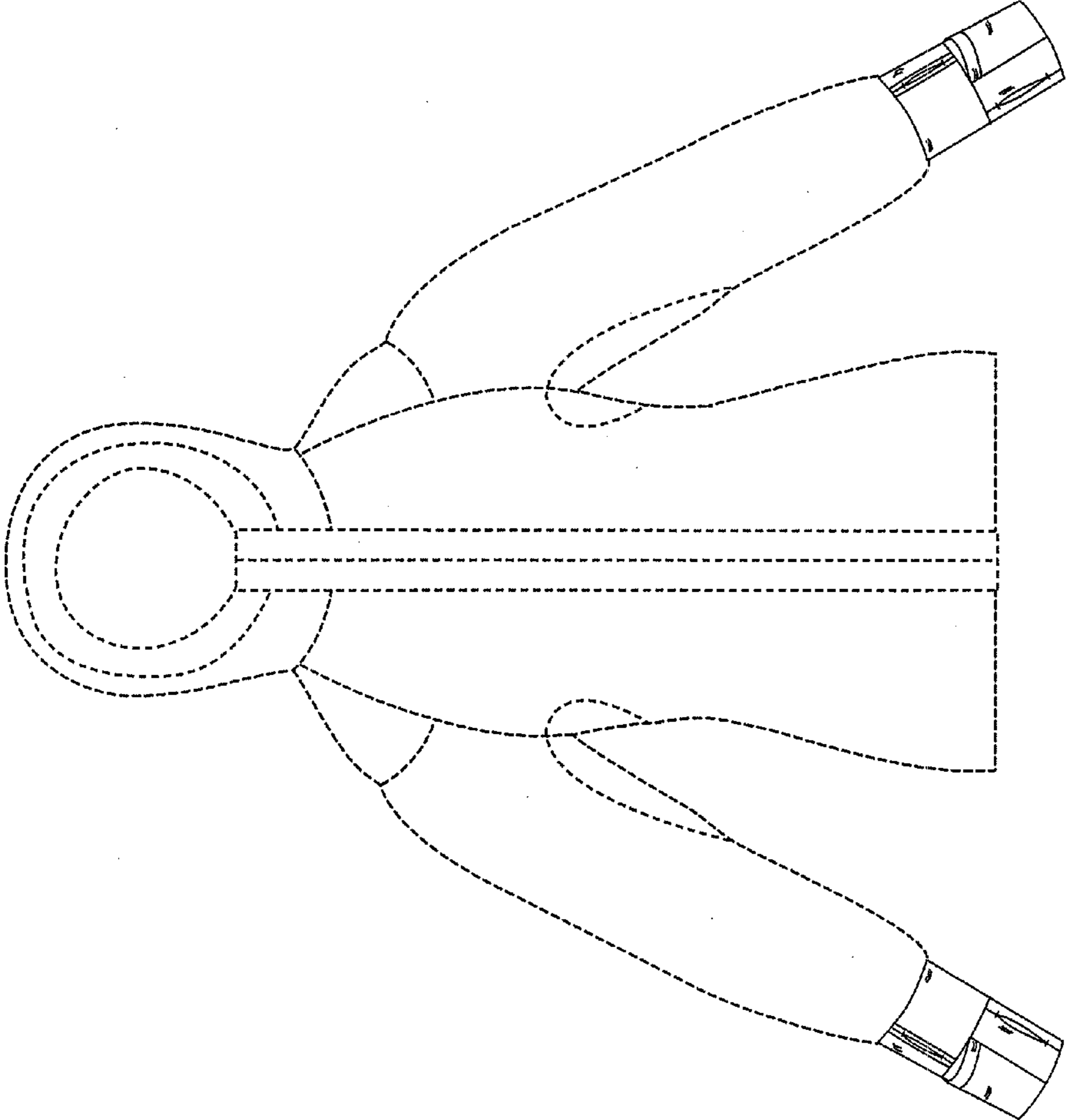


Fig. 1

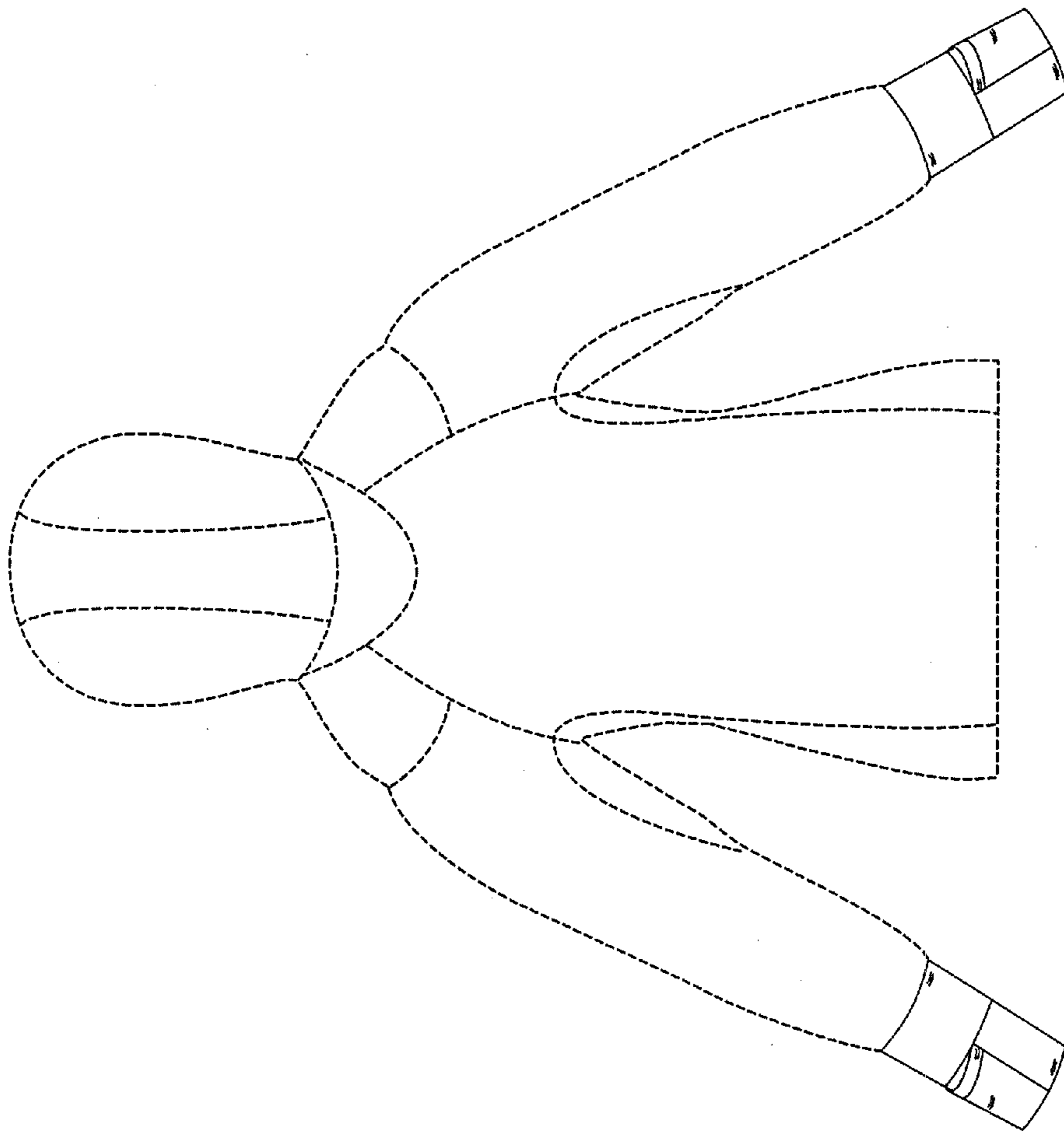


Fig. 2

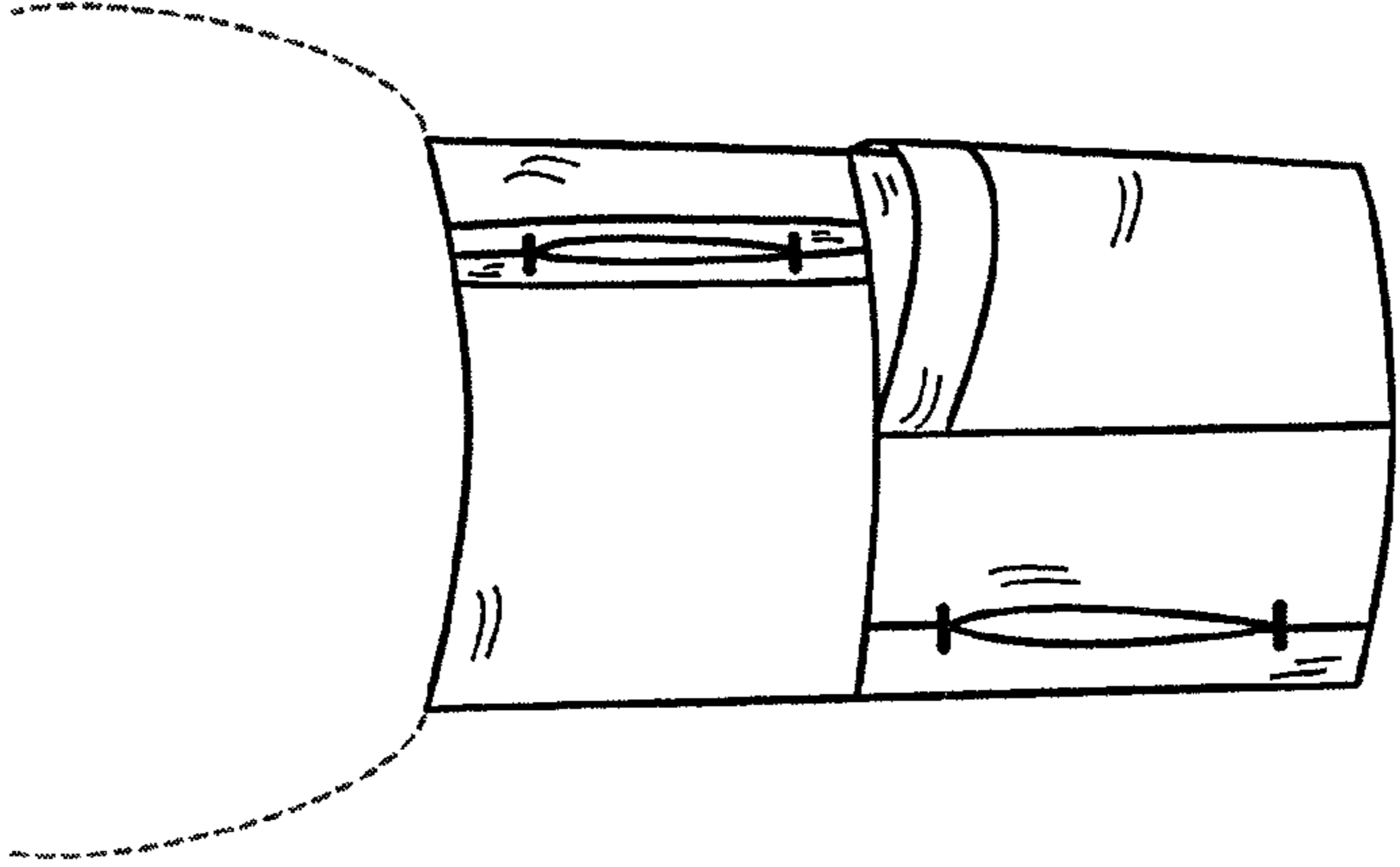


Fig. 3

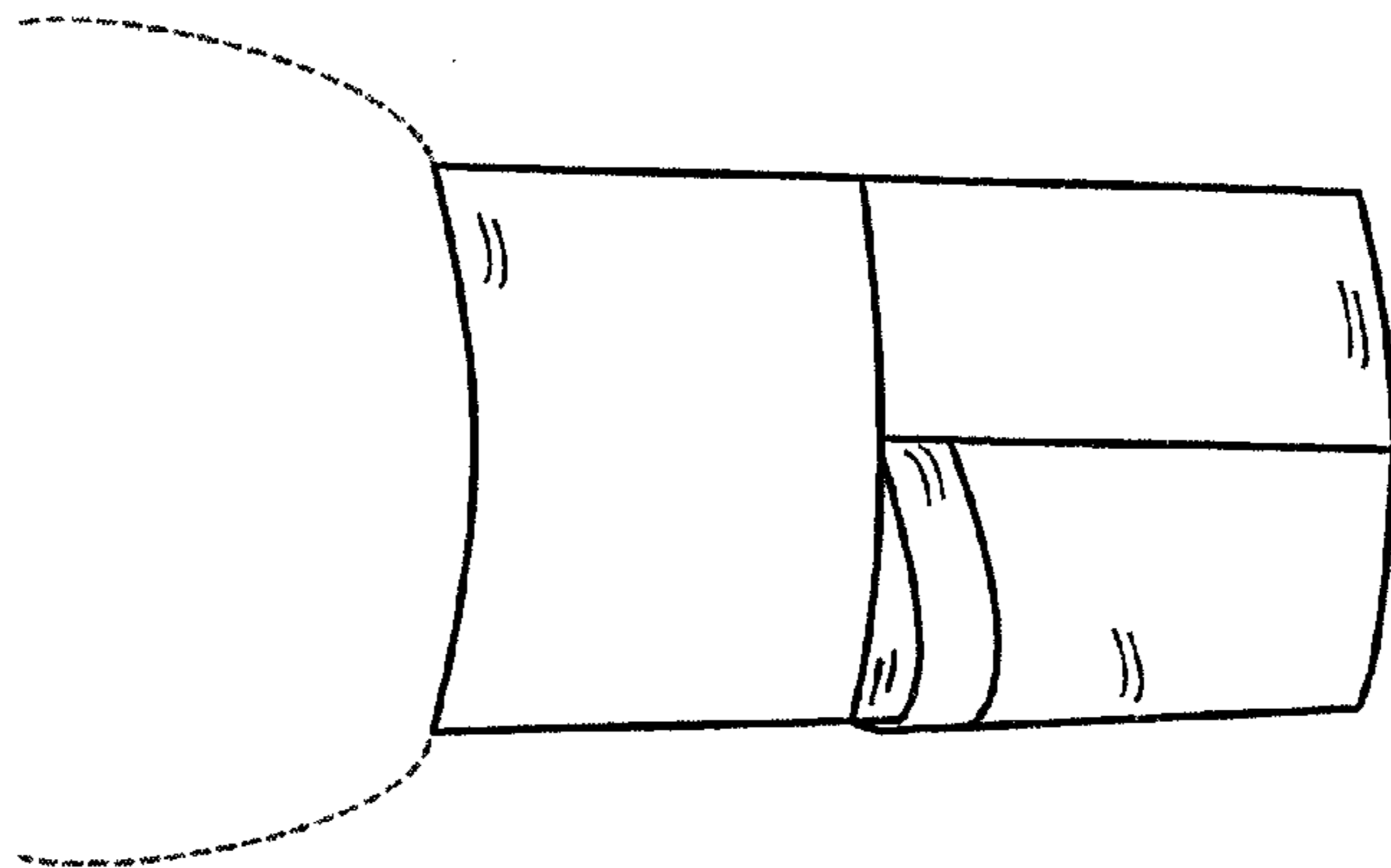


Fig. 4

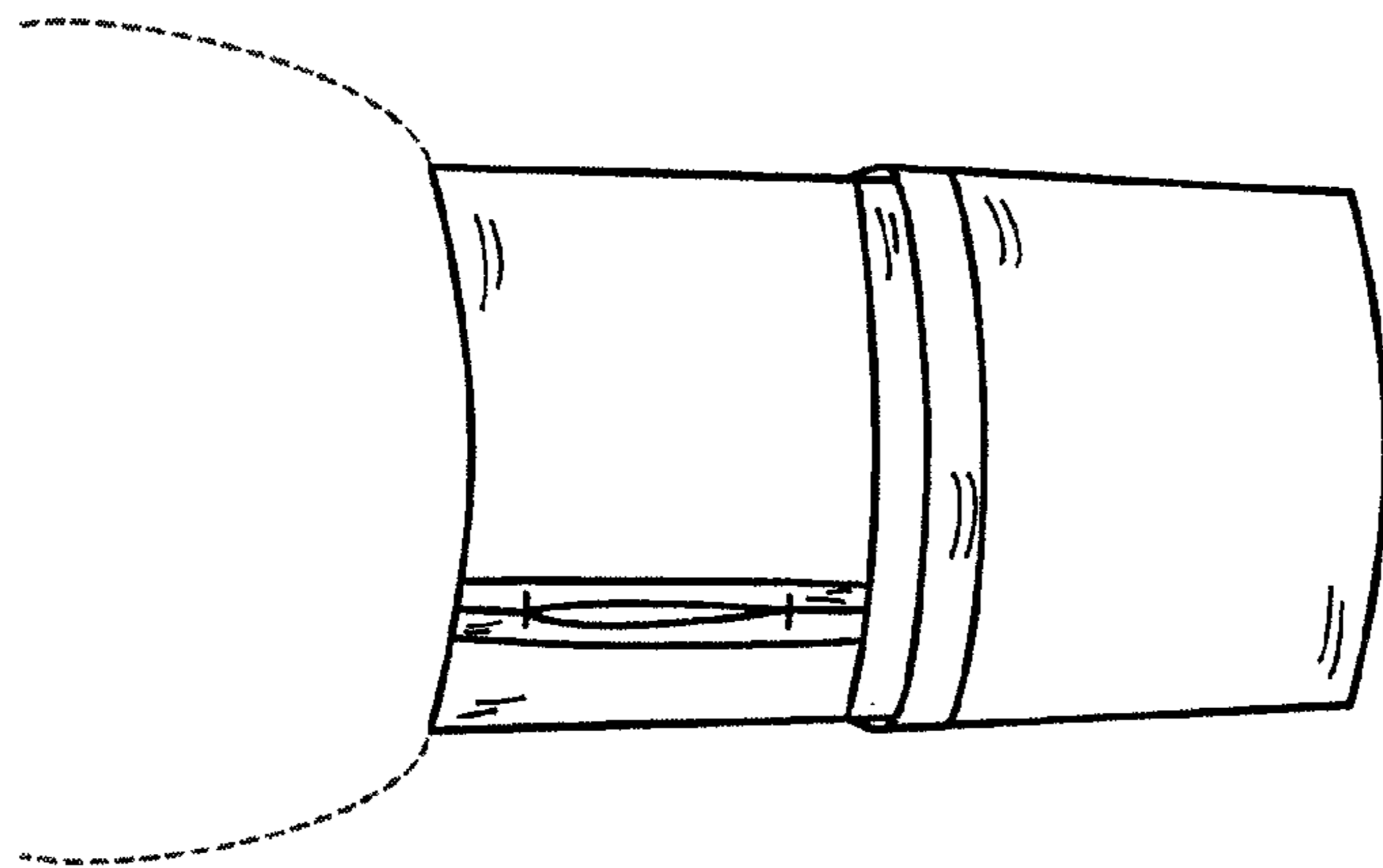


Fig. 5

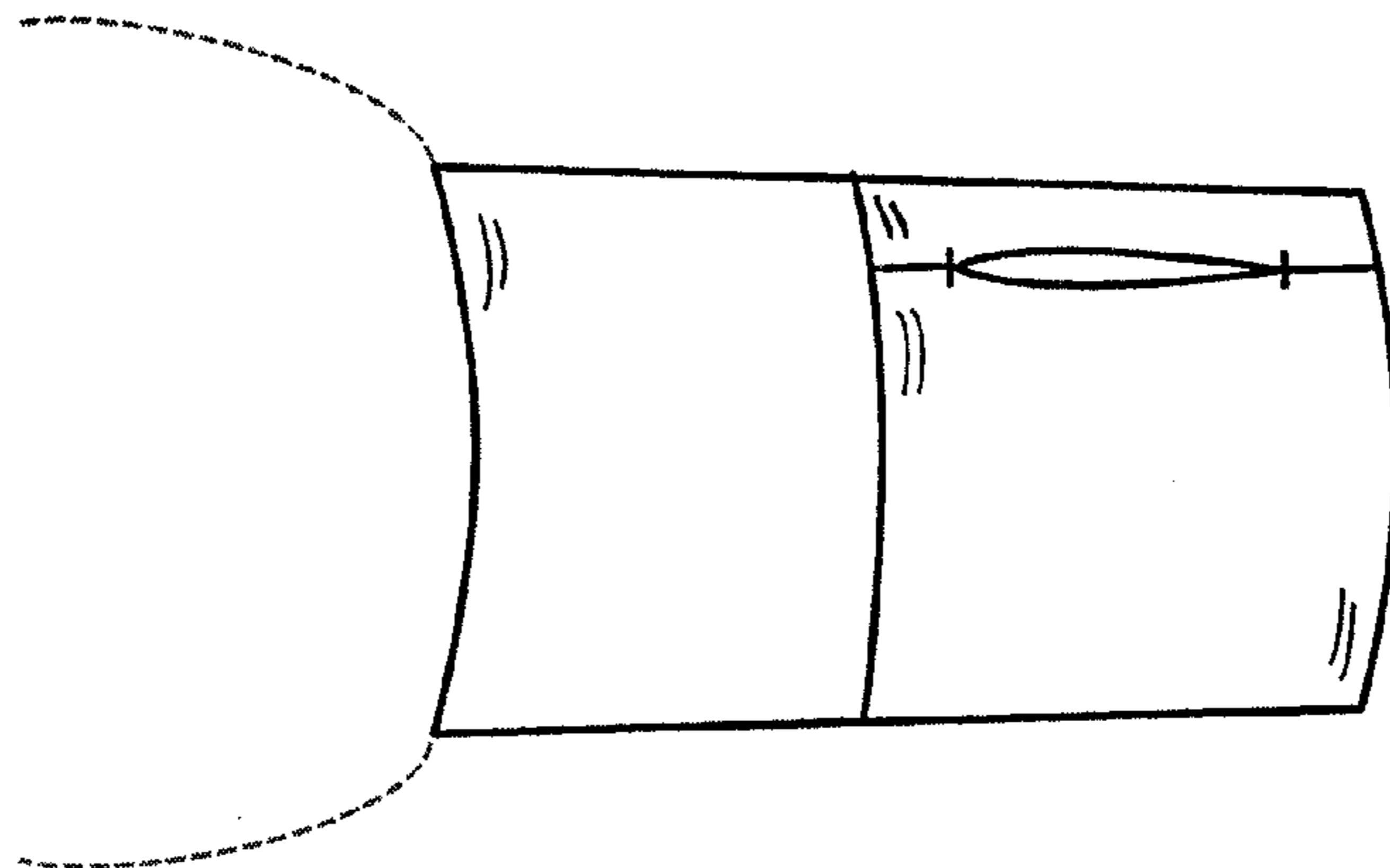
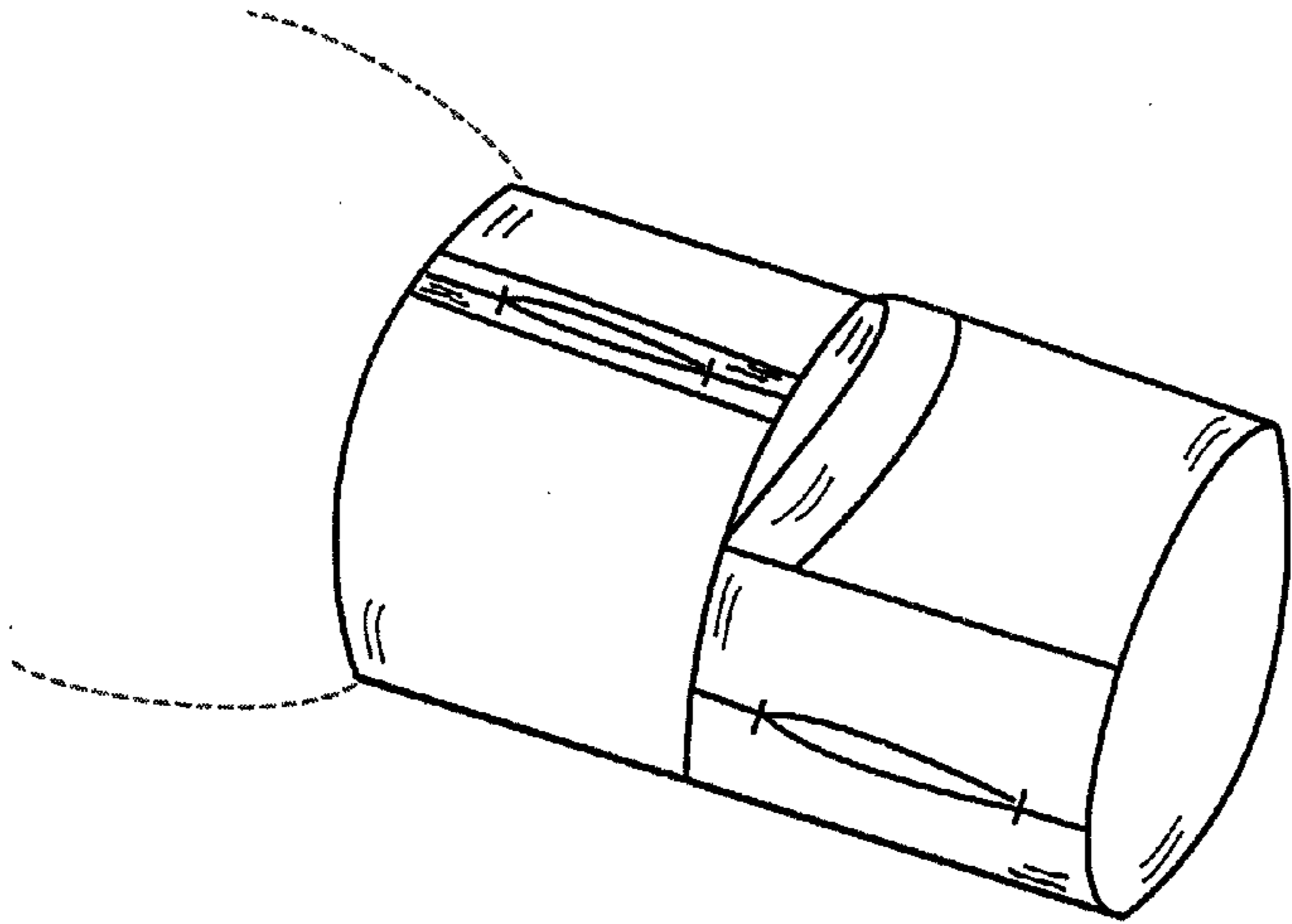


Fig. 6

Fig. 7



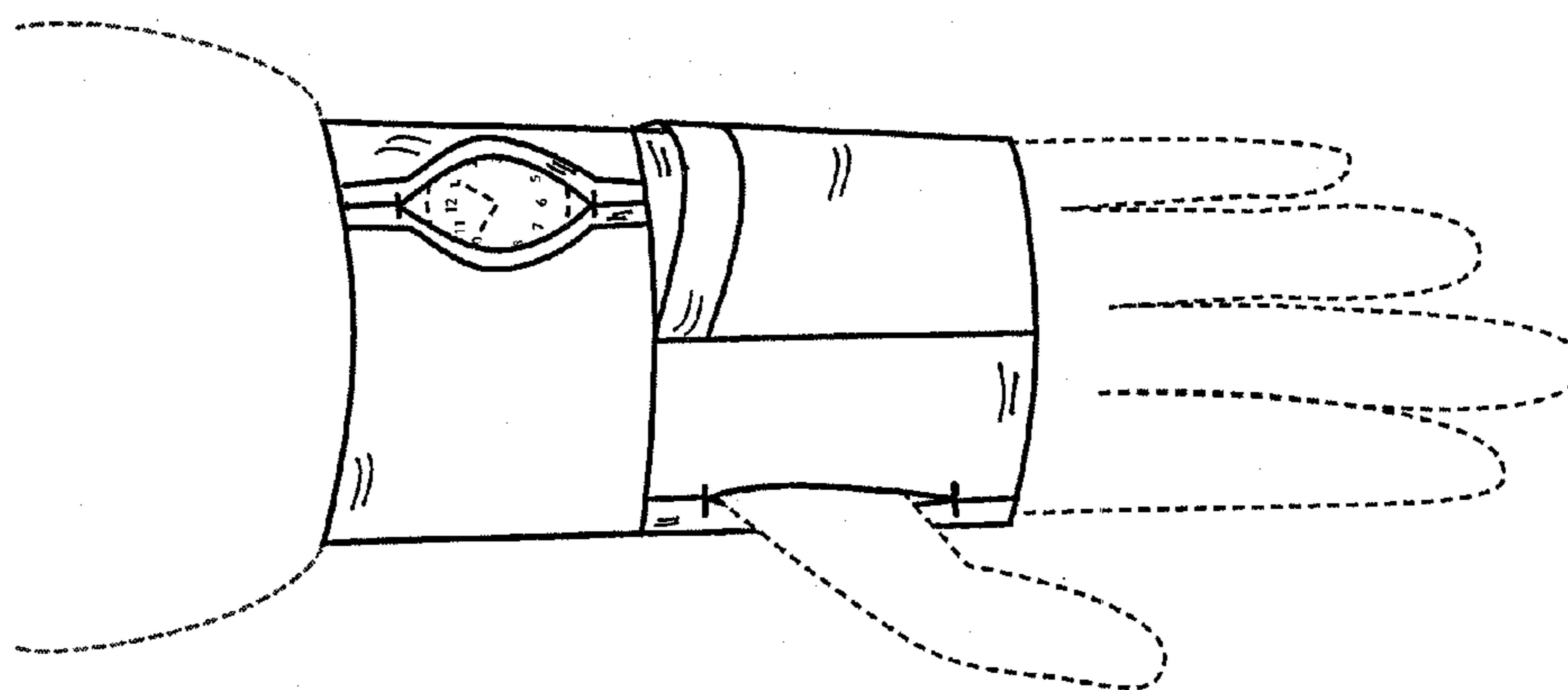


Fig. 8