



US00D699917S

(12) **United States Design Patent**  
**Shaw**

(10) **Patent No.:** **US D699,917 S**  
(45) **Date of Patent:** **\*\* Feb. 25, 2014**

(54) **TEA FILTER**

(75) Inventor: **David Shaw**, Montreal (CA)

(73) Assignee: **Davids Tea Inc.**, Quebec (CA)

(\*\*) Term: **14 Years**

(21) Appl. No.: **29/421,080**

(22) Filed: **May 17, 2012**

(51) **LOC (10) Cl.** ..... **01-01**

(52) **U.S. Cl.**  
USPC ..... **D1/199**

(58) **Field of Classification Search**  
USPC ..... D1/100–130, 199; 426/77, 79, 80, 83,  
426/394, 410; D9/703, 706–710, 713;  
D3/270; 53/413, 134.2; D19/1–3;  
206/219, 804; 383/117

See application file for complete search history.

(56) **References Cited**

**U.S. PATENT DOCUMENTS**

735,560	A *	8/1903	Mueller	383/76
1,723,702	A *	8/1929	Mitchell	426/81
2,010,993	A *	8/1935	Ingram	426/83
2,015,854	A *	10/1935	Ingram	426/83
2,115,122	A *	4/1938	Prudden	426/81
2,162,272	A *	6/1939	Patterson	426/77
2,186,087	A *	1/1940	Yates	426/77
2,555,561	A *	6/1951	Whitehead	383/102
3,539,355	A *	11/1970	Kasakoff	426/80
3,556,392	A *	1/1971	Robin	426/83
6,214,392	B1 *	4/2001	Ramirez	426/106
D452,815	S *	1/2002	Furuta	D9/706
D475,833	S *	6/2003	Robinson	D1/199
D592,253	S *	5/2009	Resetarits	D21/373

D620,677	S *	8/2010	Rea et al.	D1/199
D639,016	S *	6/2011	Rea et al.	D1/199
2003/0126835	A1 *	7/2003	Weder et al.	53/397

**OTHER PUBLICATIONS**

Extra Fine Nylon Bag. [online.] [retrieved on Mar. 20, 2013]. Retrieved from internet <URL: [http://www.austinhomebrew.com/product\\_info.php?cPath=178\\_33\\_403&products\\_id=1504](http://www.austinhomebrew.com/product_info.php?cPath=178_33_403&products_id=1504)>.\*  
Quotable Tea Bag, Jan. 25, 2011. [online.] [retrieved on Oct. 1, 2013]. Retrieved from internet <URL: <http://www.http://www.flickr.com/photos/38805797@N03/5387792097>>.\*  
Drawstring Bag, May 3, 2010. [online.] [retrieved on Oct. 1, 2013]. Retrieved from internet <URL: <http://www.chicaandjo.com/2010/05/03/how-to-make-a-drawstring-bag/>>.\*

\* cited by examiner

*Primary Examiner* — Cathron Brooks

*Assistant Examiner* — Katie Mroczka

(74) *Attorney, Agent, or Firm* — George A. Seaby

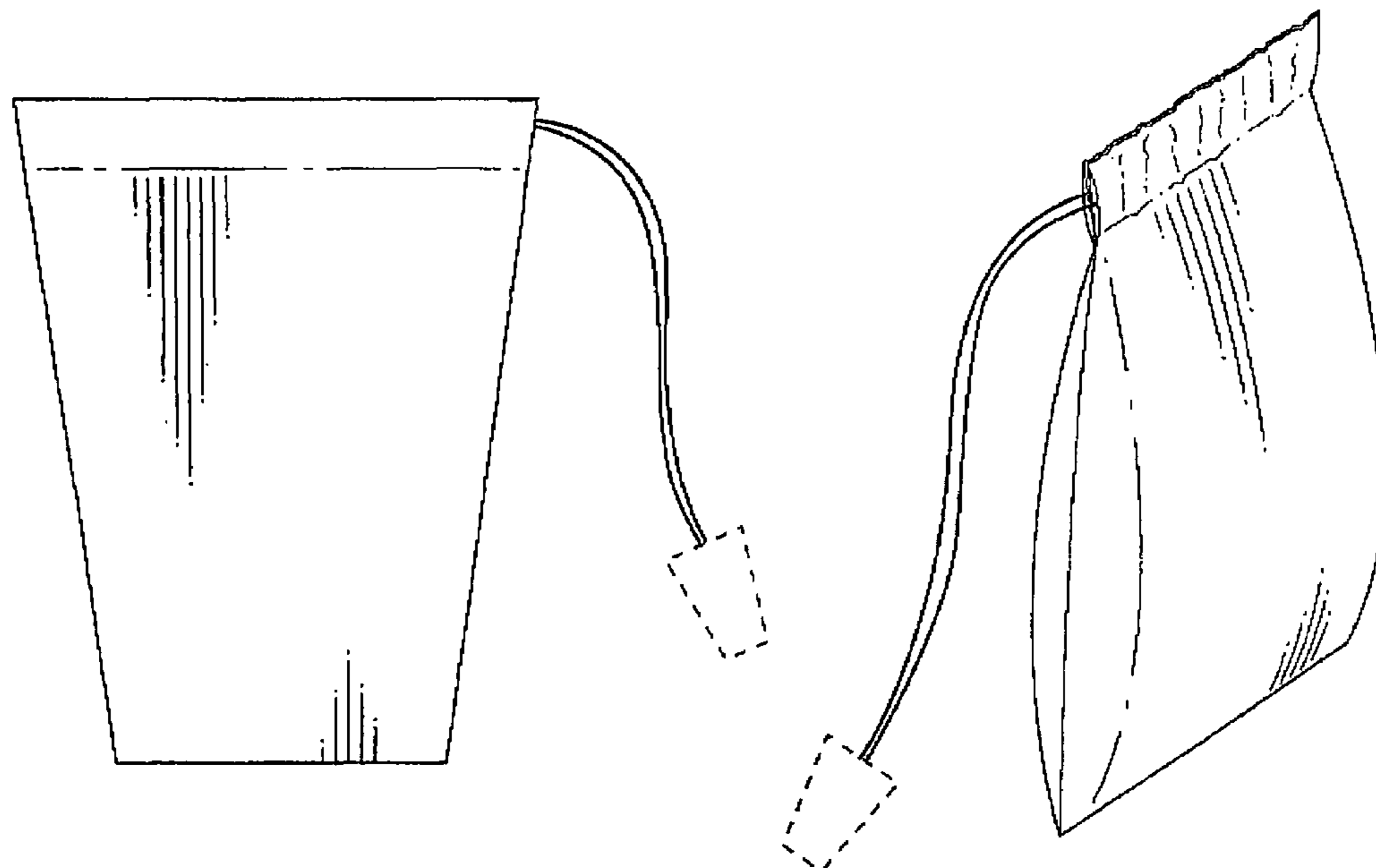
(57) **CLAIM**

The ornamental design for a tea filter, as shown and described.

**DESCRIPTION**

FIG. 1 is a front elevational view of the tea filter, the rear view being the mirror image of the tea filter;  
FIG. 2 is a perspective view thereof;  
FIG. 3 is a side elevational view of the tea filter as seen from the right side of FIG. 1;  
FIG. 4 is a perspective view of the tea filter in an open position; and,  
FIG. 5 is a perspective view of the tea filter in a partially closed position.  
The broken line showing of a tag is for the purpose of illustrating environment and forms no part of the claimed design.

**1 Claim, 2 Drawing Sheets**



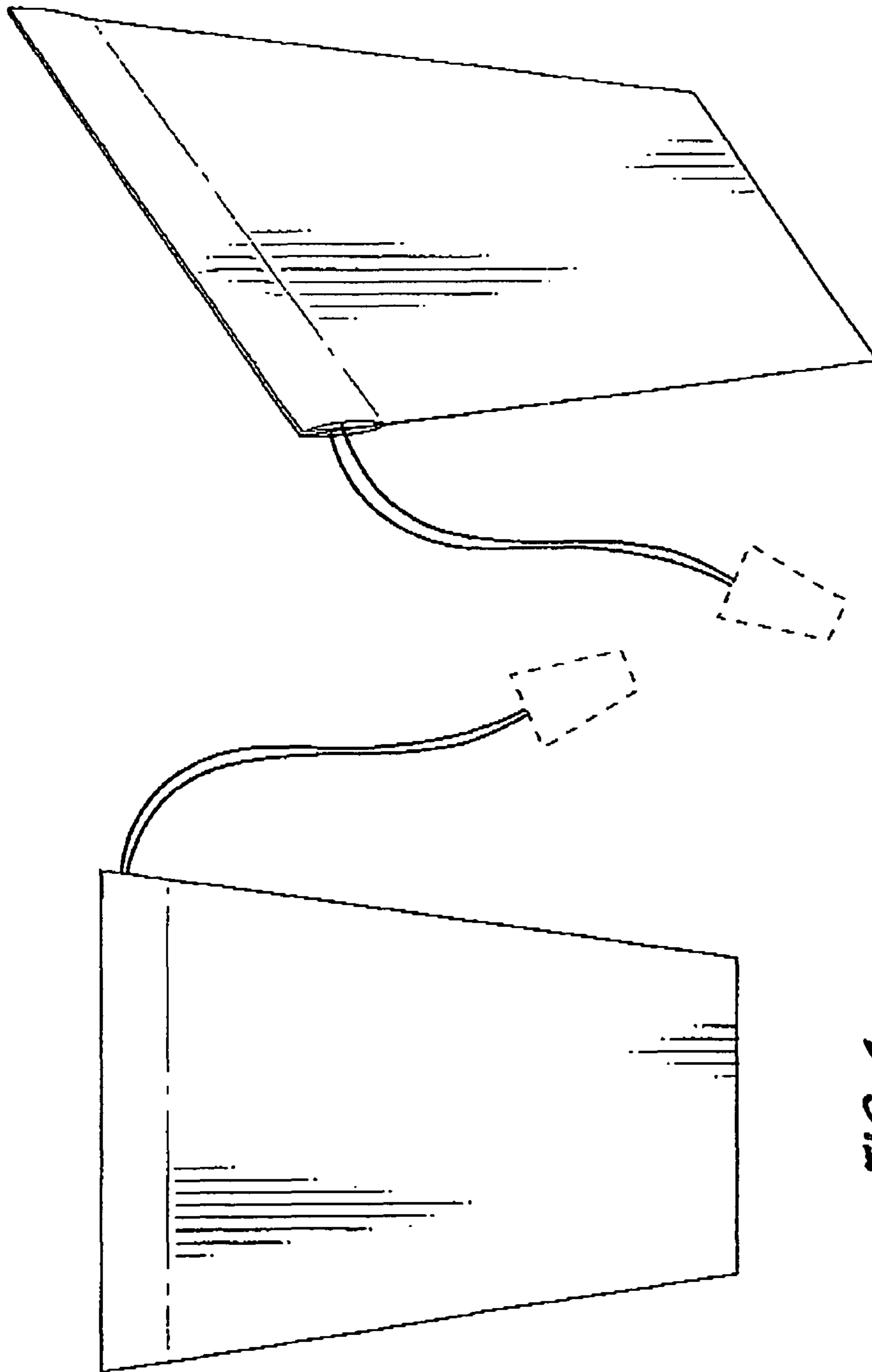


FIG. 2

FIG. 1

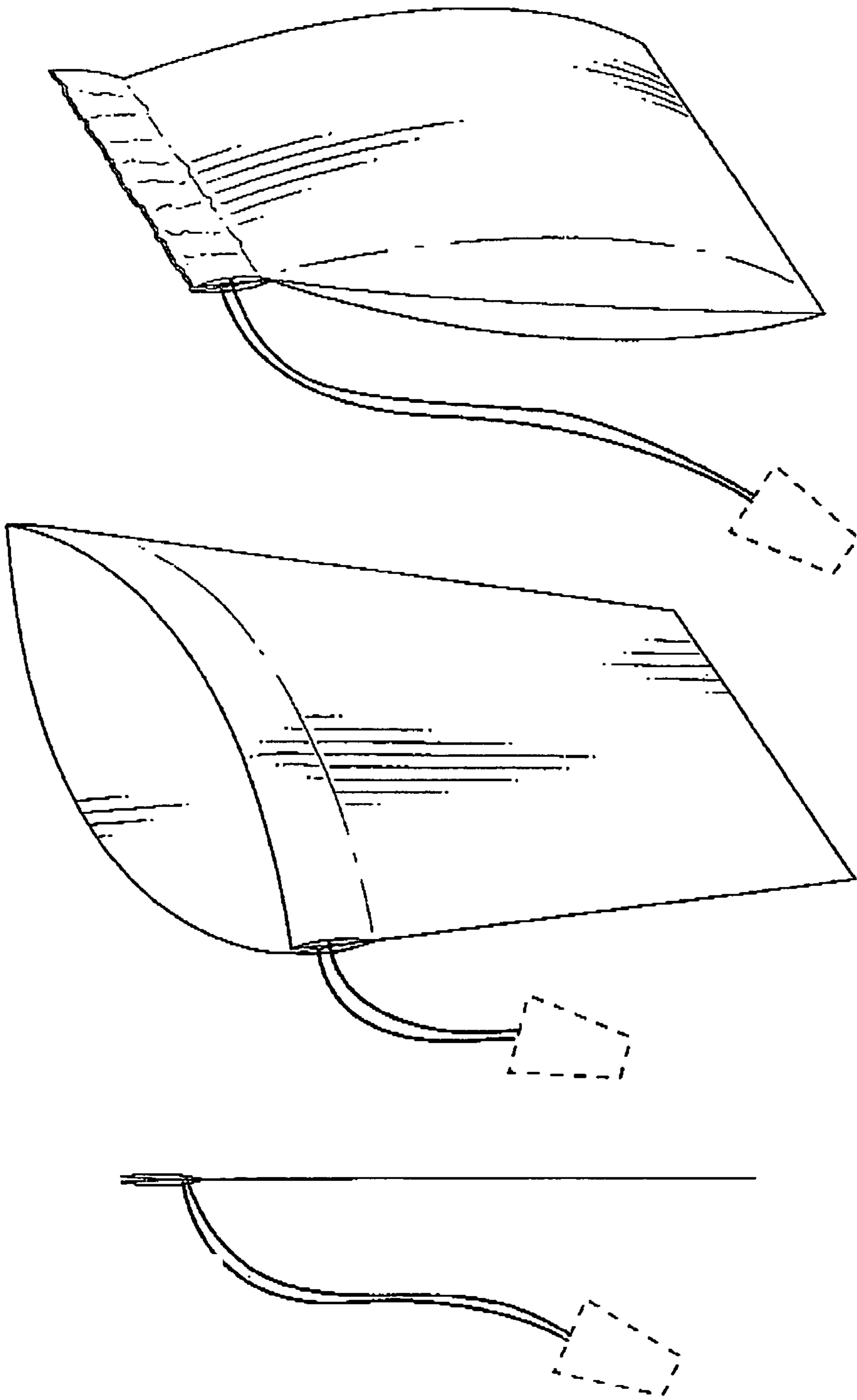


FIG. 3

FIG. 4

FIG. 5