



US00D699916S

(12) **United States Design Patent**
Rodgers et al.

(10) **Patent No.:** **US D699,916 S**
(45) **Date of Patent:** **** Feb. 25, 2014**

(54) **CONFECTIONARY ARTICLE**

(75) Inventors: **Mark Rodgers**, New York, NY (US);
Ruth Waddingham, New York, NY (US)

(73) Assignee: **Kraft Foods Global Brands LLC**,
Northfield, IL (US)

(**) Term: **14 Years**

(21) Appl. No.: **29/403,022**

(22) Filed: **Sep. 30, 2011**

(51) **LOC (10) Cl.** **01-01**

(52) **U.S. Cl.**
USPC **D1/127**

(58) **Field of Classification Search**

USPC D1/100–130, 199; D24/101, 102;
426/3, 5, 87, 89, 92, 103, 104, 129,
426/138, 144, 249, 383, 512, 516, 660,
426/808; 424/467; D25/113, 119, 121–132;
D21/499; D5/55–58, 62

See application file for complete search history.

(56) **References Cited**

U.S. PATENT DOCUMENTS

1,855,145 A * 4/1932 Bartlett 426/87
2,398,636 A * 4/1946 Henney et al. 426/513

(Continued)

Primary Examiner — Barbara Fox

Assistant Examiner — Katie Mroczka

(74) *Attorney, Agent, or Firm* — Cantor Colburn LLP

(57) **CLAIM**

We claim, the ornamental design for a confectionary article,
as shown and described.

DESCRIPTION

FIG. 1 is a perspective view of a confectionary article, showing our new design in an exemplary embodiment;

FIG. 2 is a side elevation view of the embodiment shown in FIG. 1, the opposite side view being a mirror image thereof; FIG. 3 is a top plan view of the embodiment shown in FIG. 1, the bottom view being a mirror image thereof;

FIG. 4 is a front elevation view of the embodiment shown in FIG. 1, the back view being a mirror image thereof;

FIG. 5 is a perspective view of a confectionary article, showing our new design in an exemplary embodiment;

FIG. 6 is a side elevation view of the embodiment shown in FIG. 5, the opposite side view being a mirror image thereof;

FIG. 7 is a top plan view of the embodiment shown in FIG. 5; FIG. 8 is a bottom plan view of the embodiment shown in FIG. 5;

FIG. 9 is a front elevation view of the embodiment shown in FIG. 5, the back view being a mirror image thereof;

FIG. 10 is a perspective view of a confectionary article, showing our new design in an exemplary embodiment;

FIG. 11 is a side elevation view of the embodiment shown in FIG. 10, the opposite side view being a mirror image thereof;

FIG. 12 is a top plan view of the embodiment shown in FIG. 10;

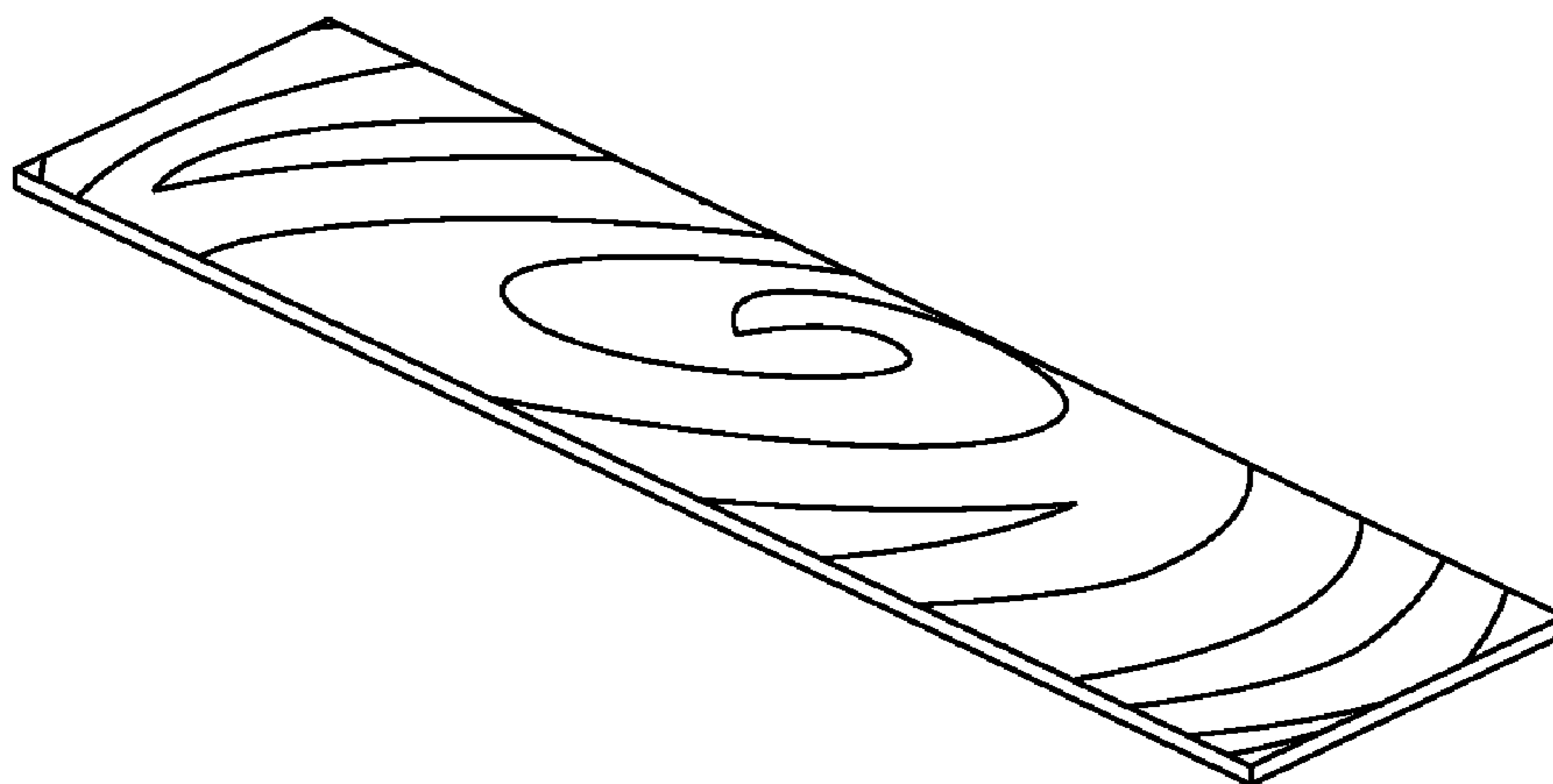
FIG. 13 is a bottom plan view of the embodiment shown in FIG. 10; and,

FIG. 14 is a front elevation view of the embodiment shown in FIG. 10, the back view being a mirror image thereof.

The broken-line disclosure in the views is understood to form part of the environment in which the claimed design is embodied, but forms no part of the claimed design.

In addition, though the patterns on the upper and/or lower surfaces of the various embodiments may be of a different color than the remainder of the confectionary, a confectionary according to the claimed design merely includes upper and/or lower surface patterns that are visually distinguishable from the remainder of the confectionary.

1 Claim, 3 Drawing Sheets



US D699,916 S

Page 2

(56)

References Cited

U.S. PATENT DOCUMENTS

5,376,388 A * 12/1994 Meyers 426/5
D366,672 S * 1/1996 Kitzmiller D19/53
5,538,742 A * 7/1996 McHale et al. 426/5
5,840,119 A * 11/1998 Stefanello et al. 117/208

7,090,881 B2 * 8/2006 Sirami et al. 426/264
D678,685 S * 3/2013 Kase et al. D5/56
2006/0240175 A1 * 10/2006 Weiss et al. 426/660
2009/0028998 A1 * 1/2009 Elejalde et al. 426/5
2010/0104700 A1 * 4/2010 Kmietsch et al. 426/103

* cited by examiner

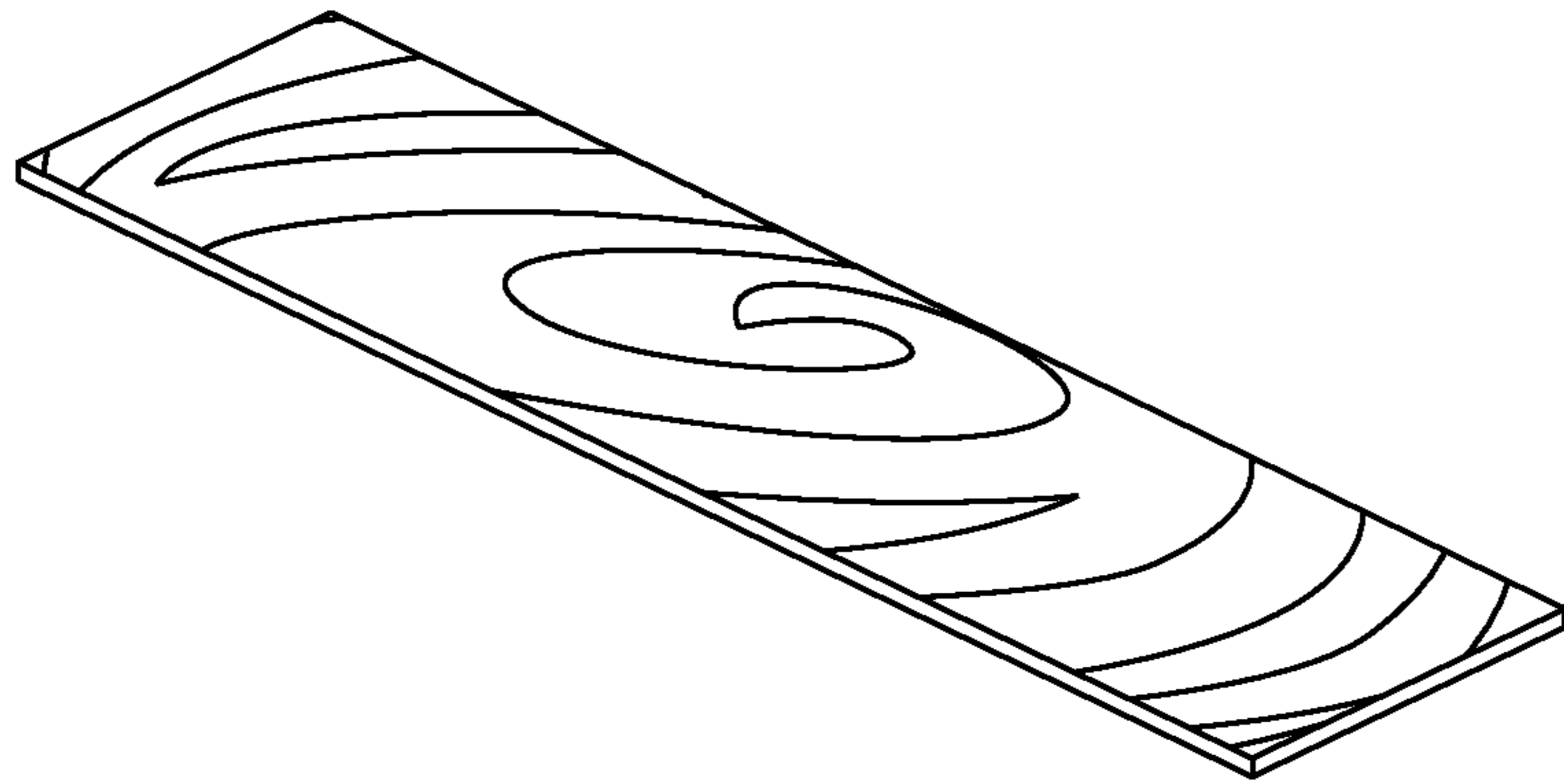


FIG. 1



FIG. 2

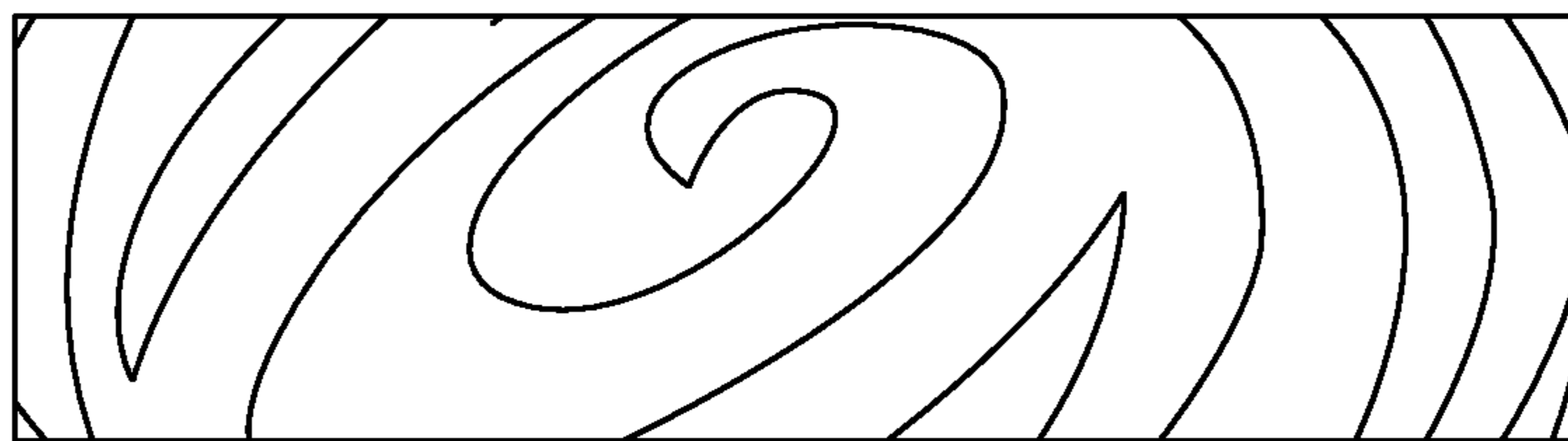


FIG. 3



FIG. 4

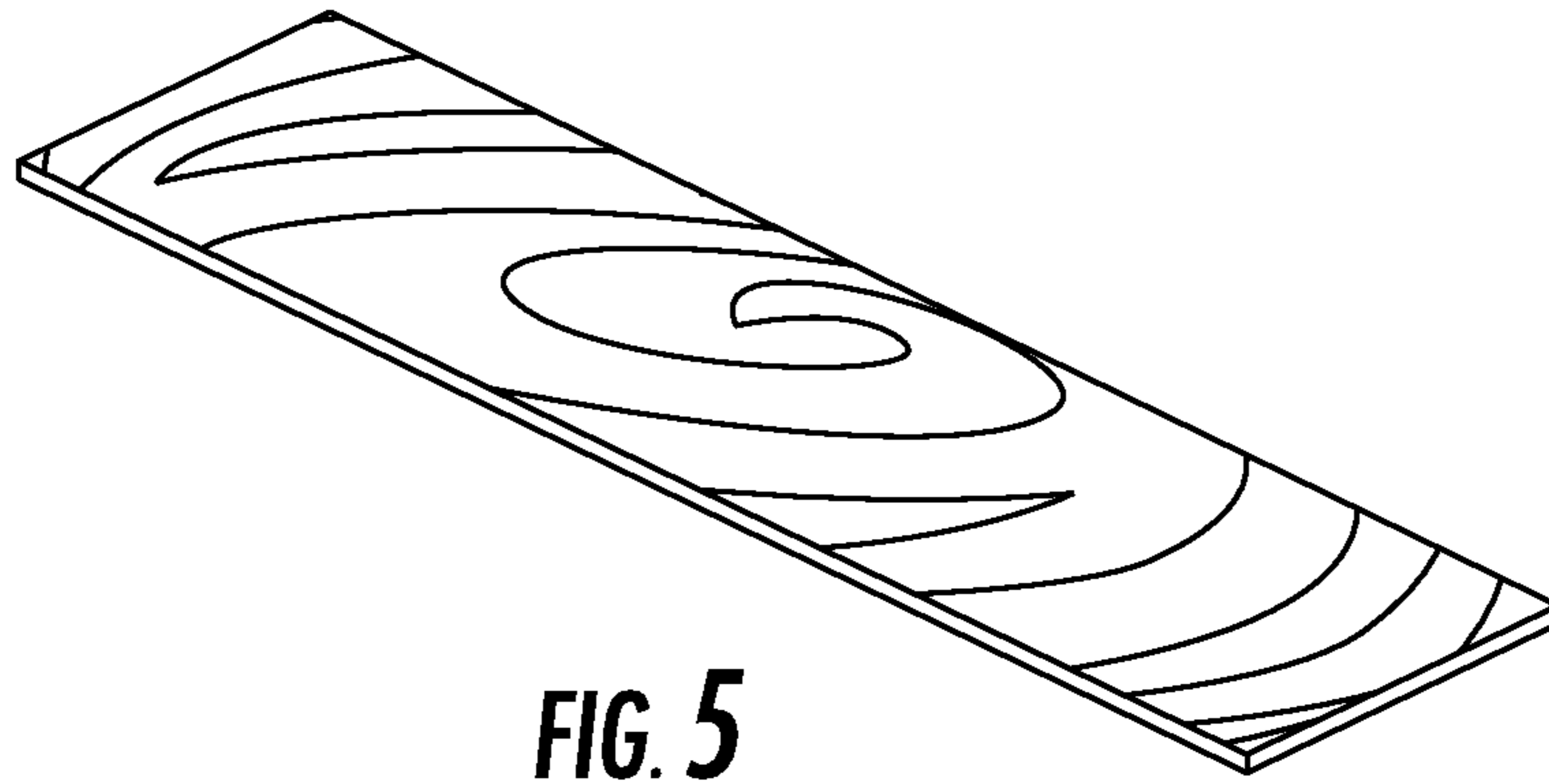


FIG. 5



FIG. 6

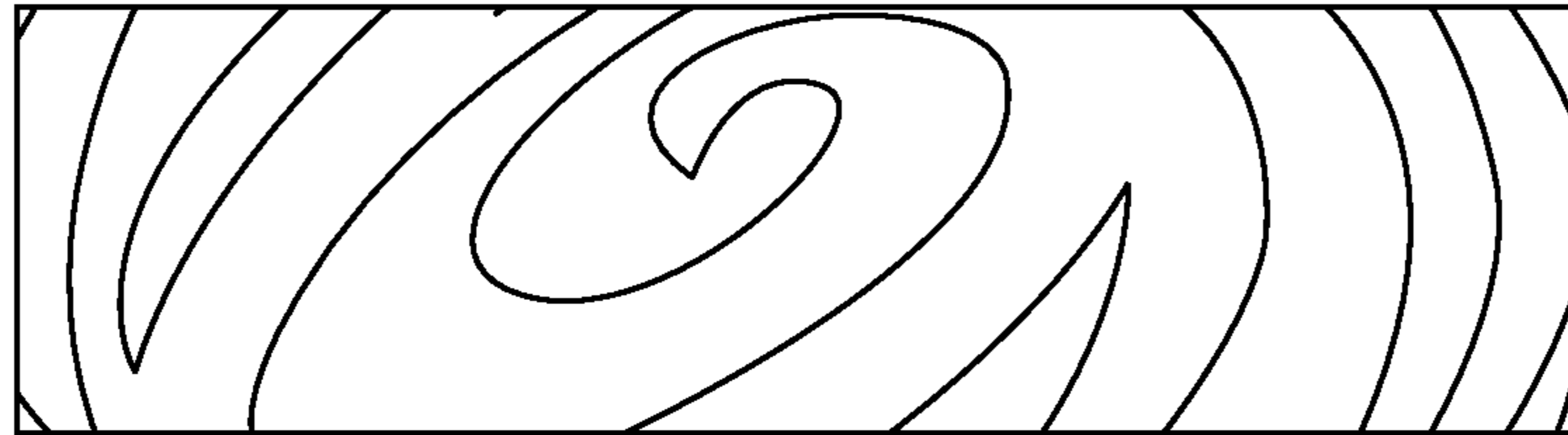


FIG. 7

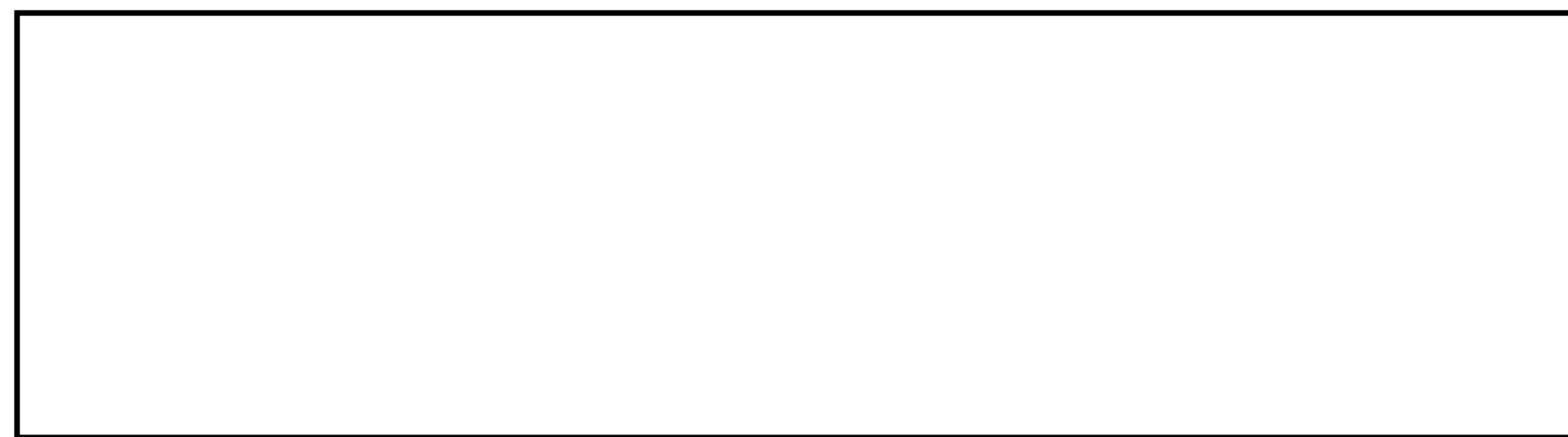


FIG. 8

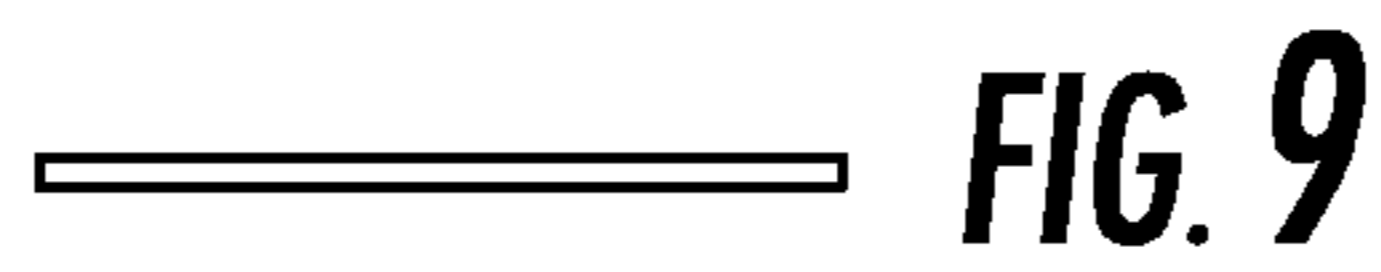


FIG. 9

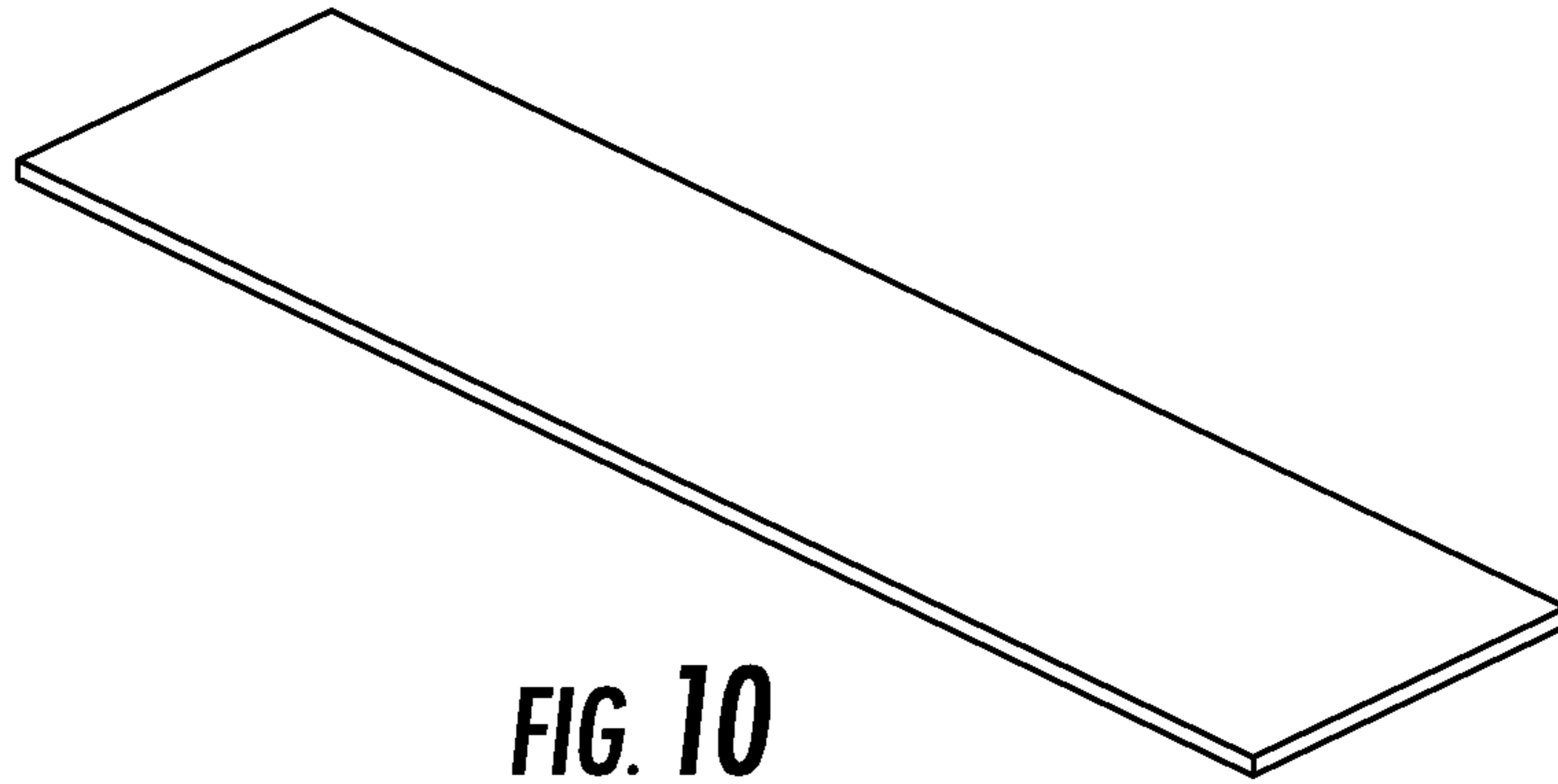


FIG. 10



FIG. 11

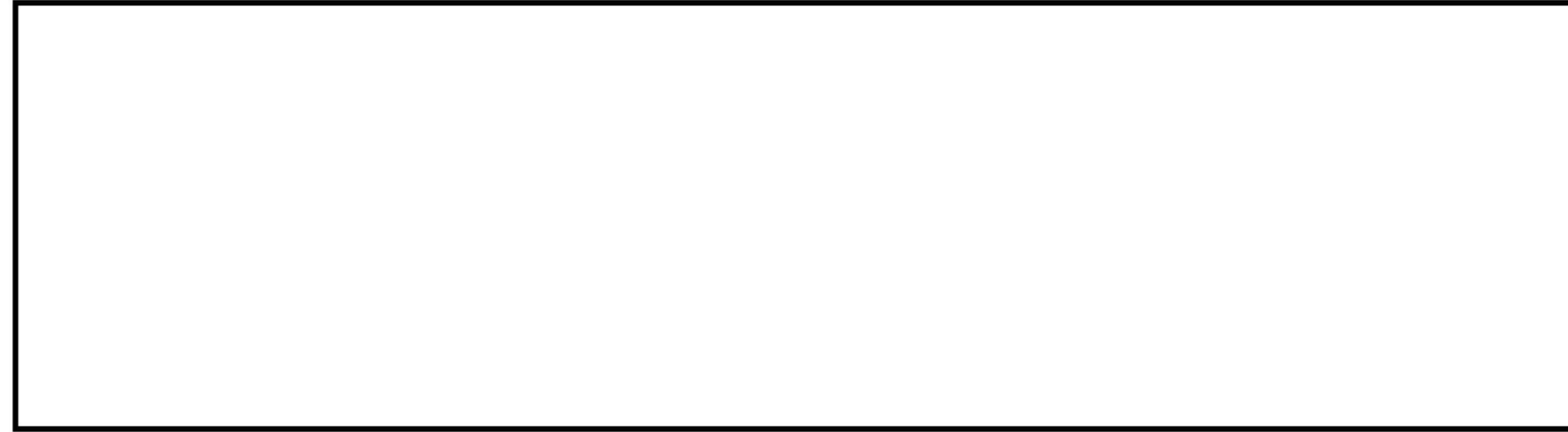


FIG. 12



FIG. 13

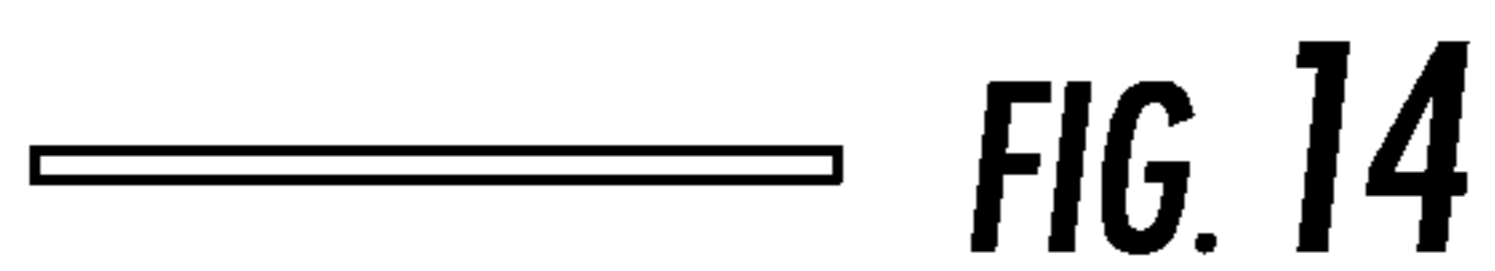


FIG. 14